



US00D831307S

(12) **United States Design Patent**
Bible et al.

(10) **Patent No.:** **US D831,307 S**

(45) **Date of Patent:** **** Oct. 23, 2018**

(54) **SCARF**

(71) Applicants: **Jared Bible**, St. Louis Park, MN (US);
Evelyn Bible, St. Louis Park, MN (US)

(72) Inventors: **Jared Bible**, St. Louis Park, MN (US);
Evelyn Bible, St. Louis Park, MN (US)

(**) Term: **15 Years**

(21) Appl. No.: **29/599,716**

(22) Filed: **Apr. 6, 2017**

(51) **LOC (11) Cl.** **02-02**

(52) **U.S. Cl.**
USPC **D2/858**

(58) **Field of Classification Search**
USPC D2/614, 717, 731, 739, 741, 823, 824,
D2/825, 826, 827, 828, 830, 831, 840,
D2/847, 849, 850, 858, 862; D29/100,
D29/101.1, 121.1
CPC ... A41D 1/04; A41D 1/18; A41D 1/22; A41D
7/008; A41D 10/00; A41D 13/0015;
A41D 15/00; A41D 15/04; A41D 23/00;
A41D 27/02; A41D 27/08; A41D 27/10;
A41D 27/28; A41D 27/285; A41D
2200/20; A41D 2400/10; A41D 2400/60;
A41B 1/00; A41B 1/08; A41B 9/06;
A41B 2400/20; A41B 2400/60; A41C
3/08; D10B 2401/02; Y10S 2/01; A42B
1/04; A42B 1/067; A47G 9/1081
See application file for complete search history.

(56) **References Cited**

U.S. PATENT DOCUMENTS

2,237,368 A * 4/1941 Seitzman A41D 15/00
2/91
2,523,636 A * 9/1950 Sherman A41D 10/00
114/144 R

2,986,741 A * 6/1961 Brasington, Jr. A42B 1/067
2/172
4,016,027 A * 4/1977 Kintanar A41D 19/00
2/159
4,797,953 A * 1/1989 Dameron A41D 1/215
2/104
D303,995 S * 10/1989 Dameron D2/728
D312,147 S * 11/1990 Lapin D24/192
D529,682 S * 10/2006 Strong D2/501
D627,130 S * 11/2010 Postulart D2/500
D668,427 S * 10/2012 Shenker D2/501
D674,563 S * 1/2013 Reilly D30/145
D741,042 S * 10/2015 Paul D2/501
2011/0191940 A1 * 8/2011 Johnson A41D 23/00
2/207
2012/0137407 A1 * 6/2012 Dimuzio A41D 19/0041
2/207
2012/0204323 A1 * 8/2012 Park A41D 23/00
2/202
2014/0230128 A1 * 8/2014 Nguyen A41D 23/00
2/207
2017/0208881 A1 * 7/2017 Leathers A41D 23/00
2018/0092417 A1 * 4/2018 Klar A42B 1/04

* cited by examiner

Primary Examiner — Kevin K Rudzinski
Assistant Examiner — Paul D Bohannon

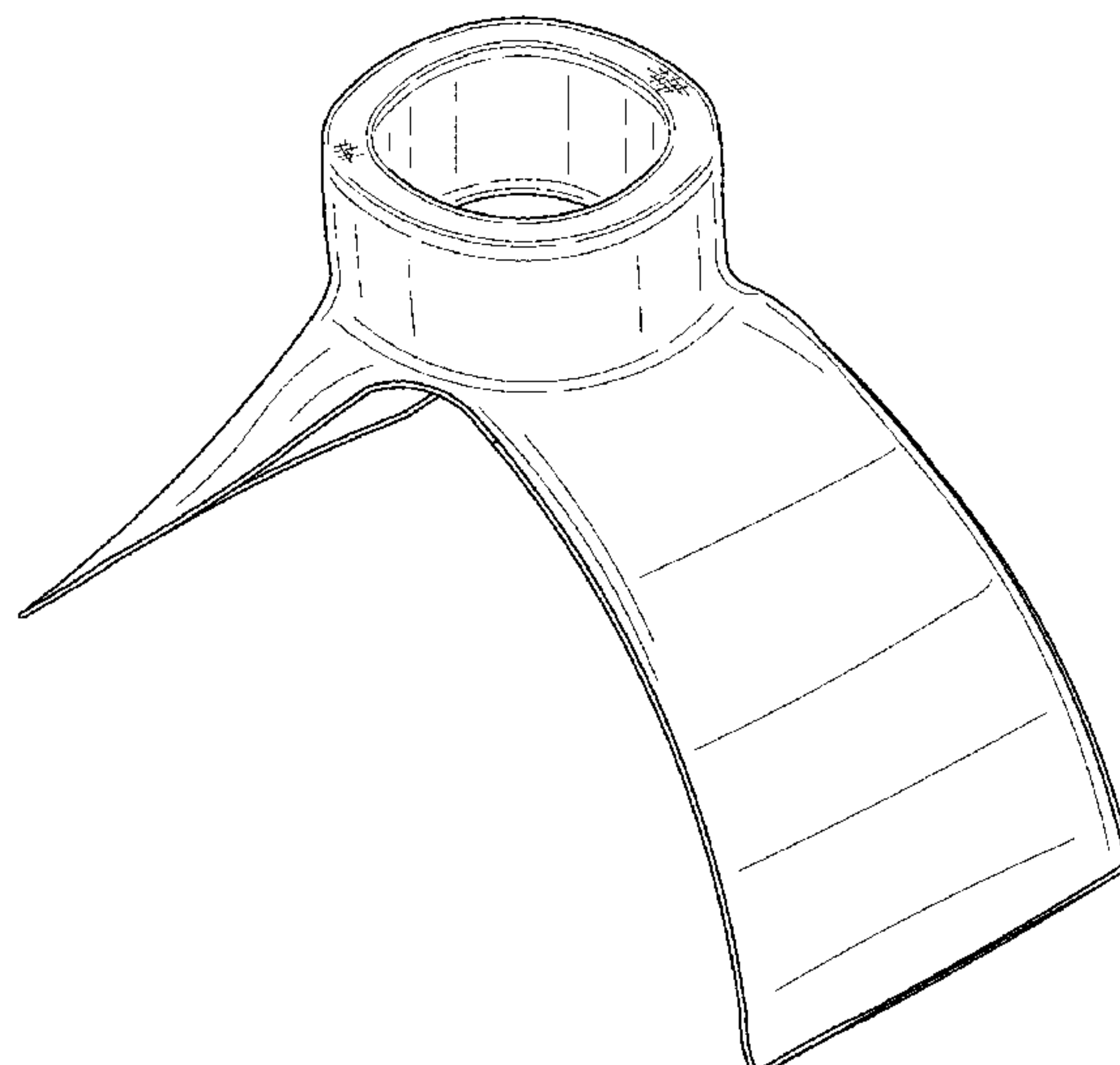
(57) **CLAIM**

The ornamental design for a scarf, as shown and described.

DESCRIPTION

FIG. 1 is a front view of a scarf showing my new design, a rear view being a mirror image thereof;
FIG. 2 is a right side view of the scarf, a left side view being a mirror image thereof;
FIG. 3 is a top view of the scarf;
FIG. 4 is a bottom view of the scarf;
FIG. 5 is a top perspective view of the scarf; and,
FIG. 6 is a bottom perspective view of the scarf.

1 Claim, 6 Drawing Sheets



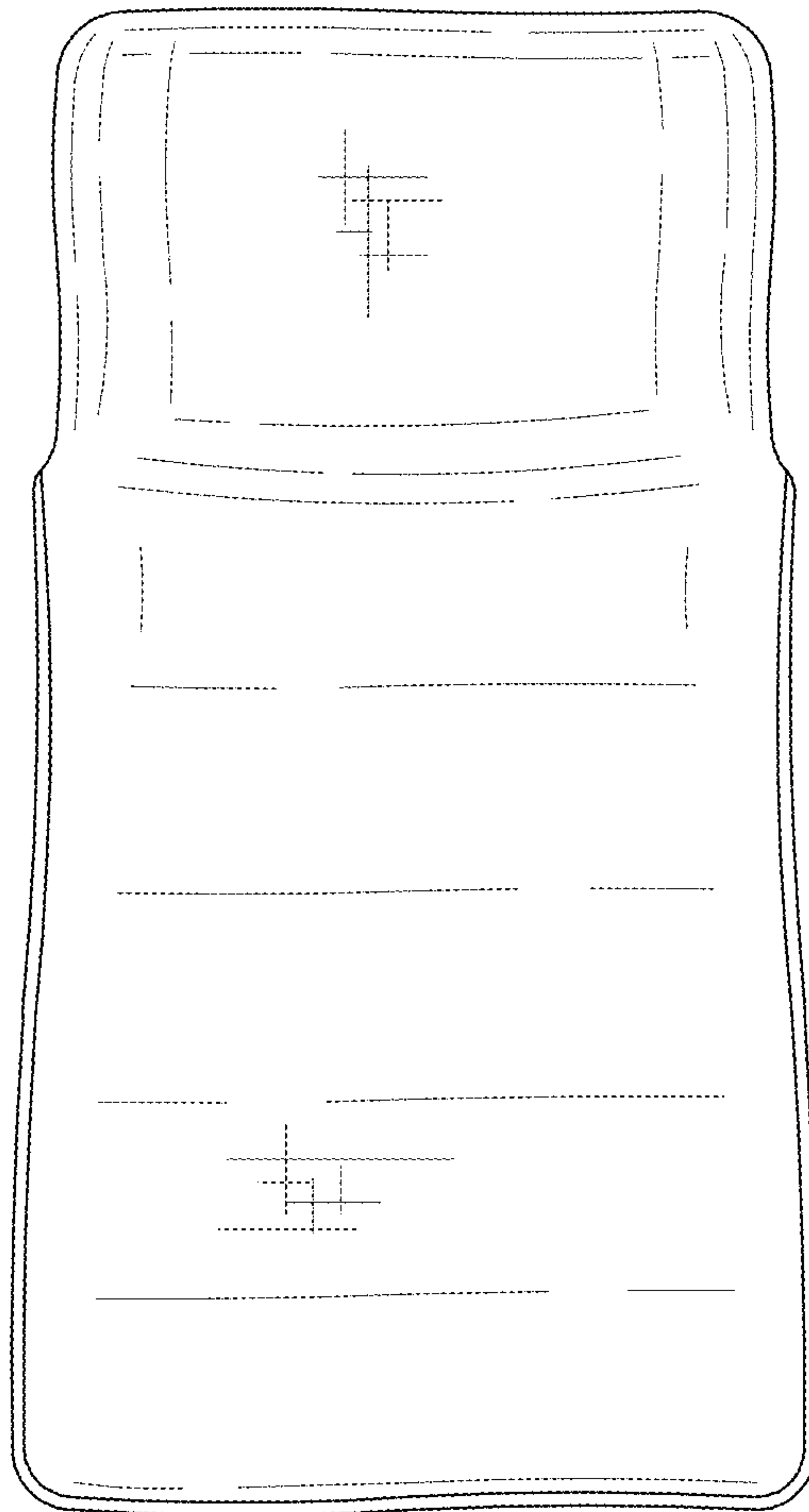


FIG. 1

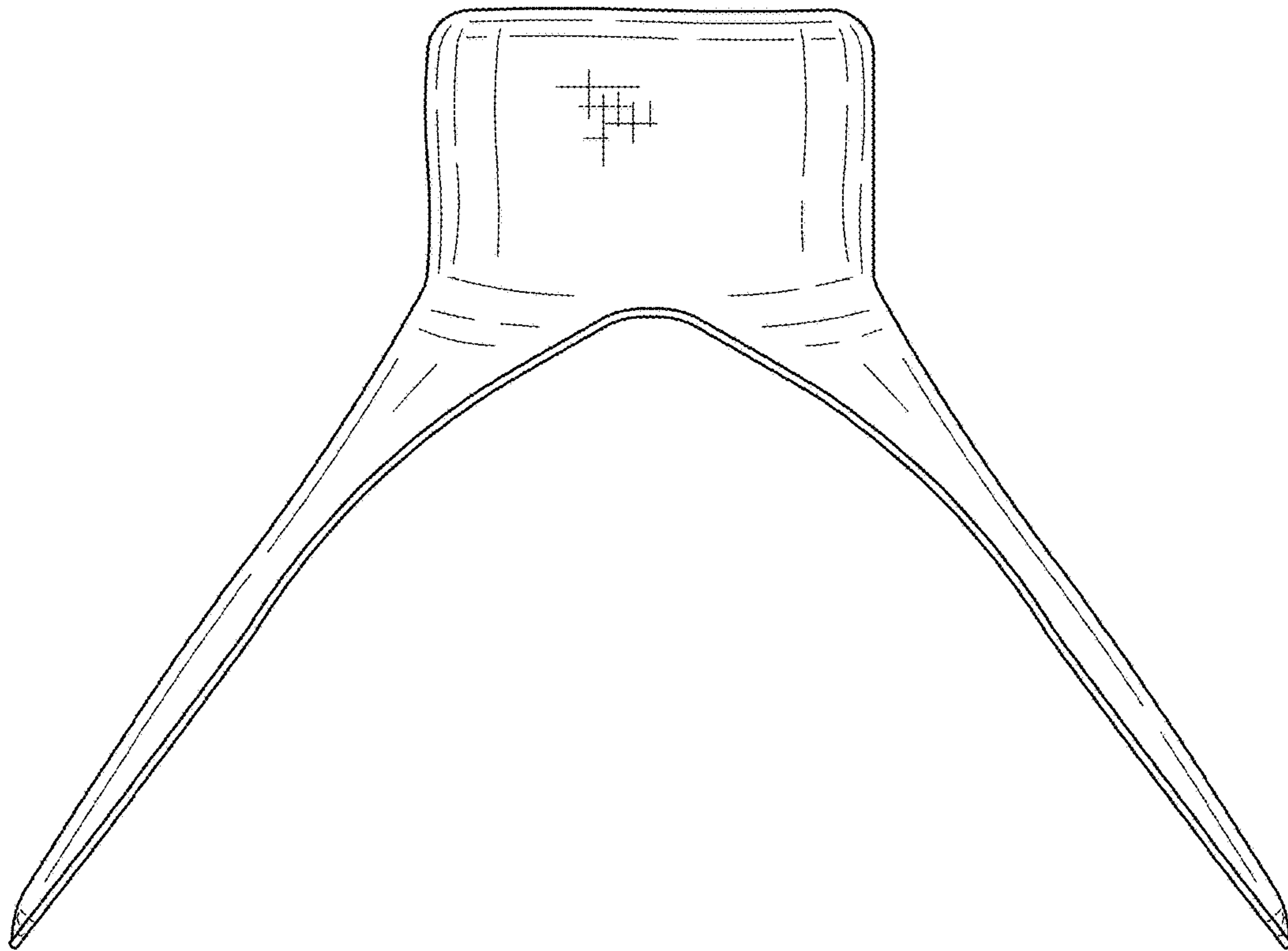


FIG. 2

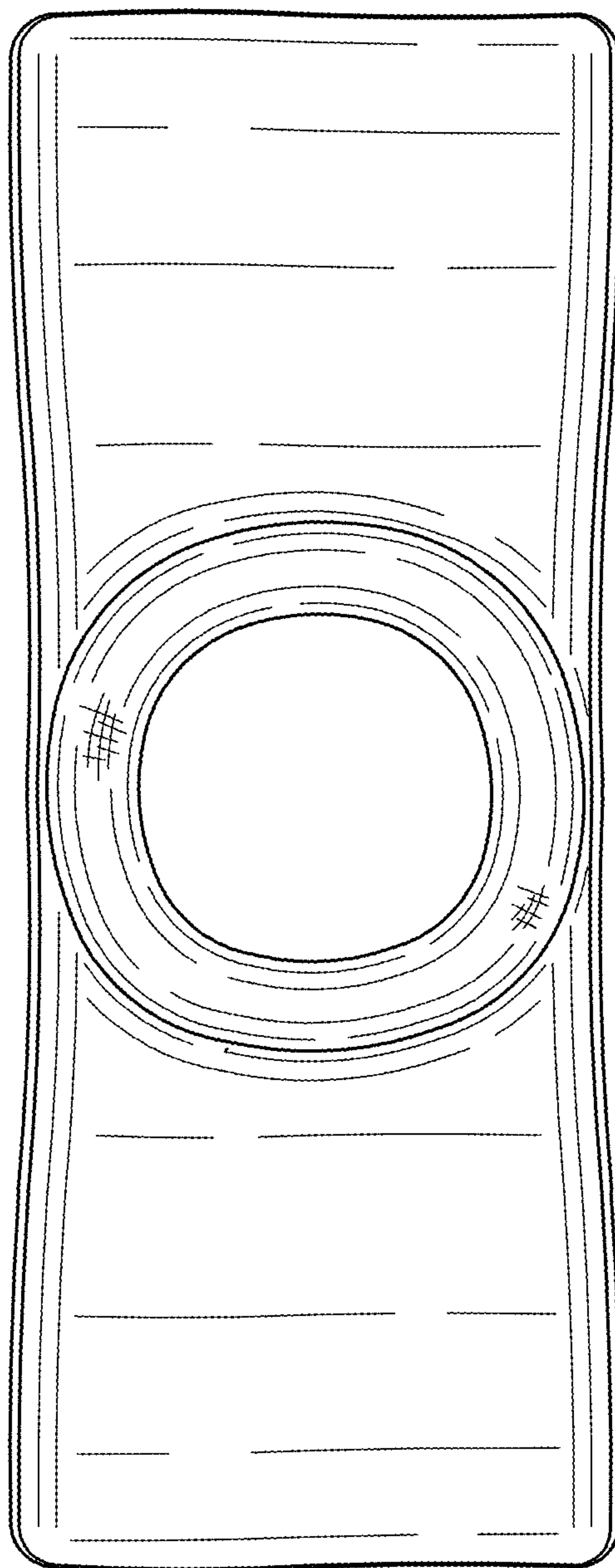


FIG. 3

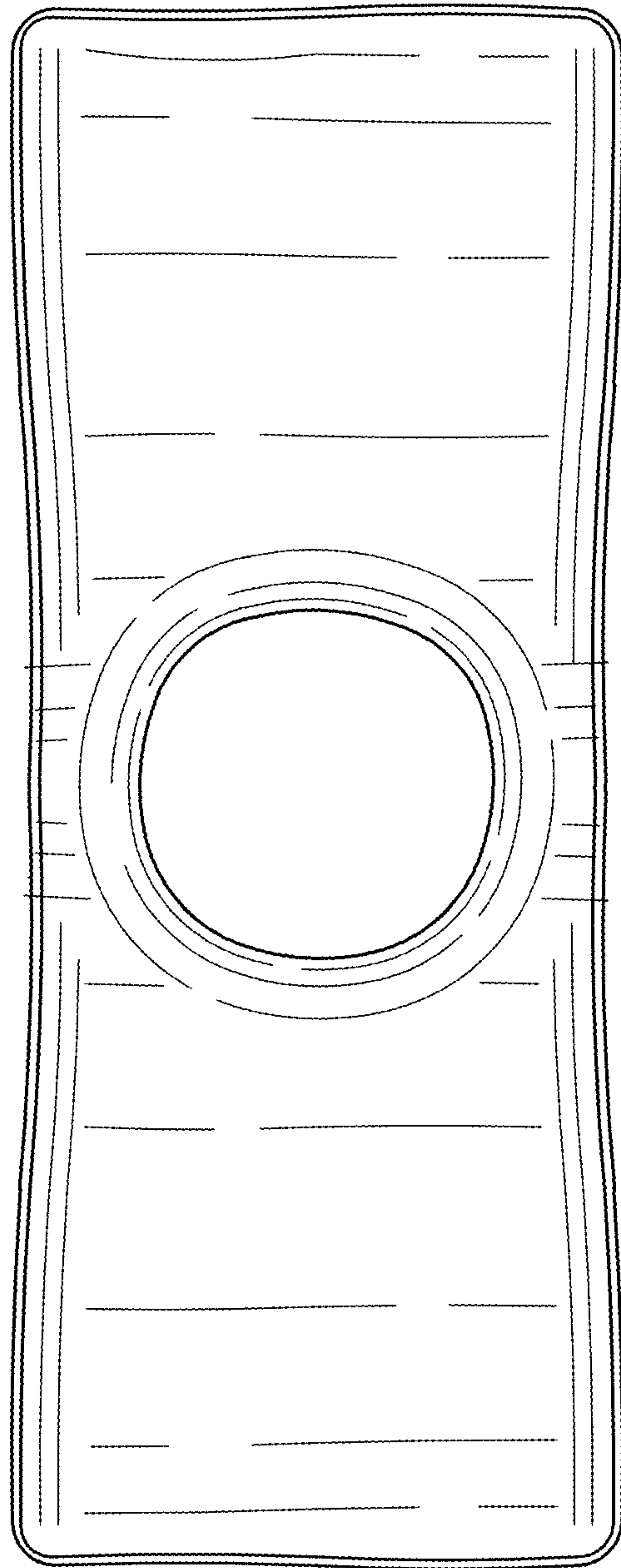


FIG. 4

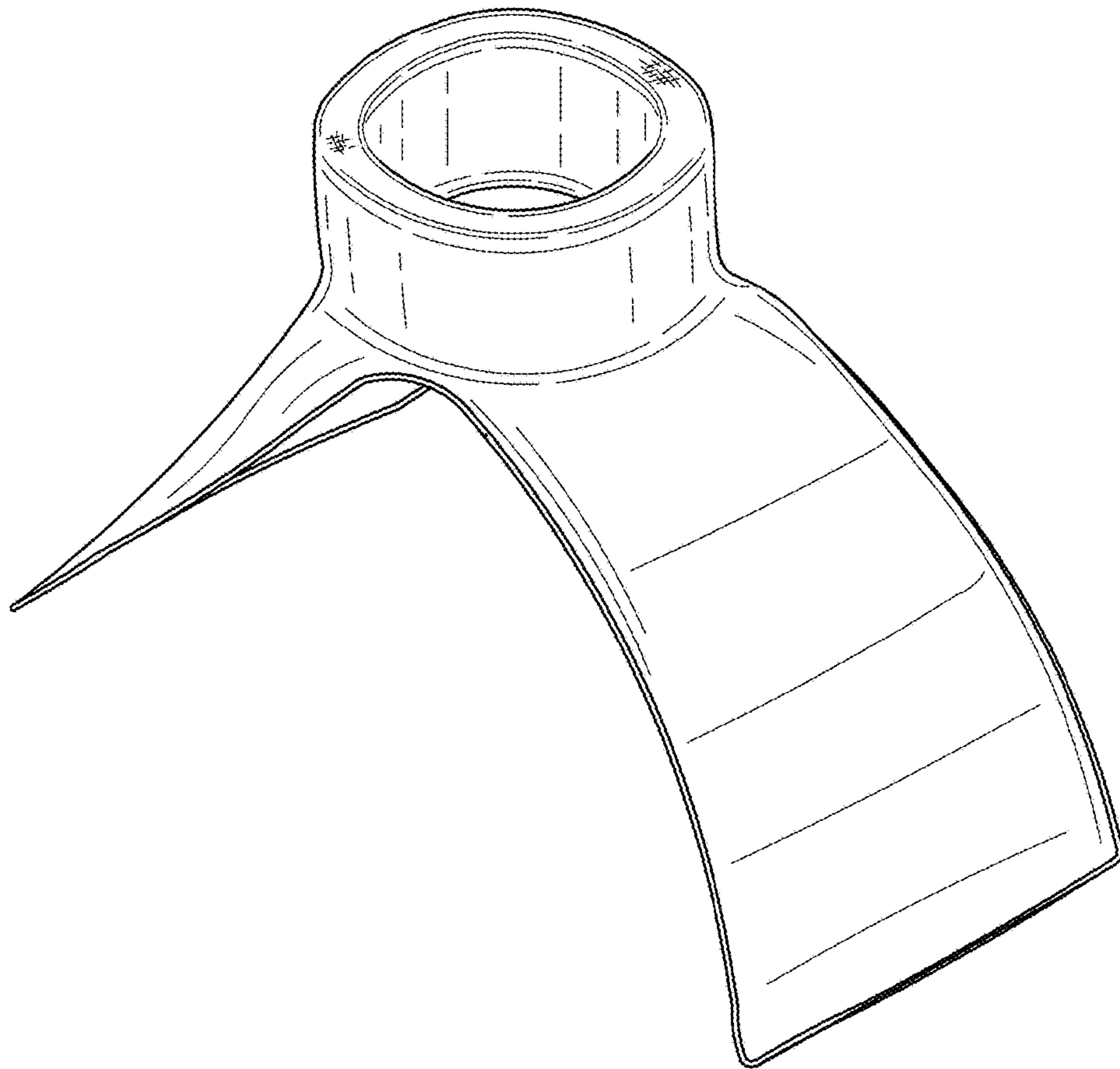


FIG. 5

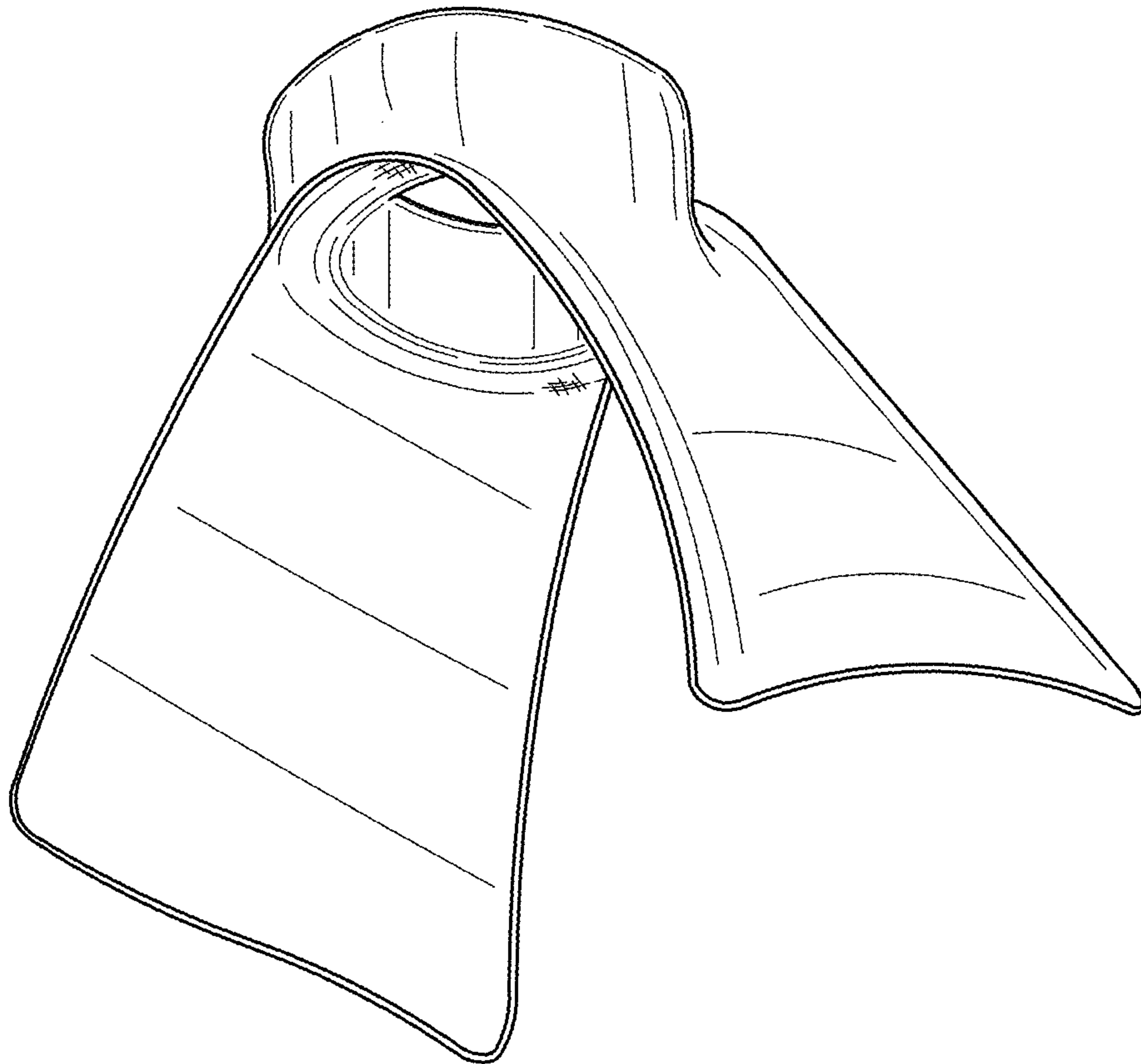


FIG. 6