



US00D831295S

(12) **United States Design Patent**
Barson et al.

(10) **Patent No.:** **US D831,295 S**
(45) **Date of Patent:** **** Oct. 23, 2018**

(54) **SALT BLOCK**

D24,474 S * 7/1895 Smirl D6/300
D38,780 S * 9/1907 Beach D6/300

(Continued)

(71) Applicant: **Morton Salt, Inc.**, Chicago, IL (US)

(72) Inventors: **Marcy Barson**, Evanston, IL (US);
Brody Boyer, Atlanta, GA (US); **Lucy Flanagan**, Chicago, IL (US); **Ryan Fleming**, Glenview, IL (US); **Brian Grindley**, Chicago, IL (US); **Ellen Kellogg**, Chicago, IL (US); **Thorsten Köpp**, Hannover (DE); **Evelyne Michel**, Boulogne (FR); **Shannon Murphy Rodenberg**, Chicago, IL (US); **Ronelle Scheller**, Chicago, IL (US); **Jacob Taylor**, Chicago, IL (US); **Amy Vemulapalli**, Chicago, IL (US)

FOREIGN PATENT DOCUMENTS

EM 001448153-0001 5/2016

Primary Examiner — Katie Jane Stofko

(74) *Attorney, Agent, or Firm* — Brinks Gilson & Lione

(73) Assignee: **MORTON SALT, INC.**, Chicago, IL (US)

(**) Term: **15 Years**

(21) Appl. No.: **29/600,332**

(22) Filed: **Apr. 11, 2017**

(51) **LOC (11) Cl.** **01-01**

(52) **U.S. Cl.**

USPC **D1/100**; D1/125

(58) **Field of Classification Search**

USPC D1/100–130, 199; 426/104, 108, 138,
426/391, 549, 808, 94, 143, 559, 560;
D24/101–104; D28/8.1, 63; D6/601;
D32/40, 43; D9/707, 756; D30/160;
D18/56; D25/113, 115; D23/366

CPC A23G 3/50; A23G 3/54; A23J 3/26; A23L
1/0067; A23L 1/164; A23L 1/005; A23B
4/10; B41J 2/17593; B26D 3/11; A47J

(Continued)

(56) **References Cited**

U.S. PATENT DOCUMENTS

422,370 A * 3/1890 Brott A23L 7/109
100/906

(57) **CLAIM**

We claim the ornamental design for a salt block, as shown and described.

DESCRIPTION

FIG. 1 is a top perspective view of a salt block of the present invention;

FIG. 2 is a top perspective view of another embodiment of a salt block of the present invention;

FIG. 3 is a top perspective view of another embodiment of a salt block of the present invention;

FIG. 4 is a top perspective view of another embodiment of a salt block of the present invention;

FIG. 5 is a top perspective view of another embodiment of a salt block of the present invention;

FIG. 6 is a top perspective view of another embodiment of a salt block of the present invention;

FIG. 7 is a top perspective view of another embodiment of a salt block of the present invention;

FIG. 8 is a top perspective view of another embodiment of a salt block of the present invention;

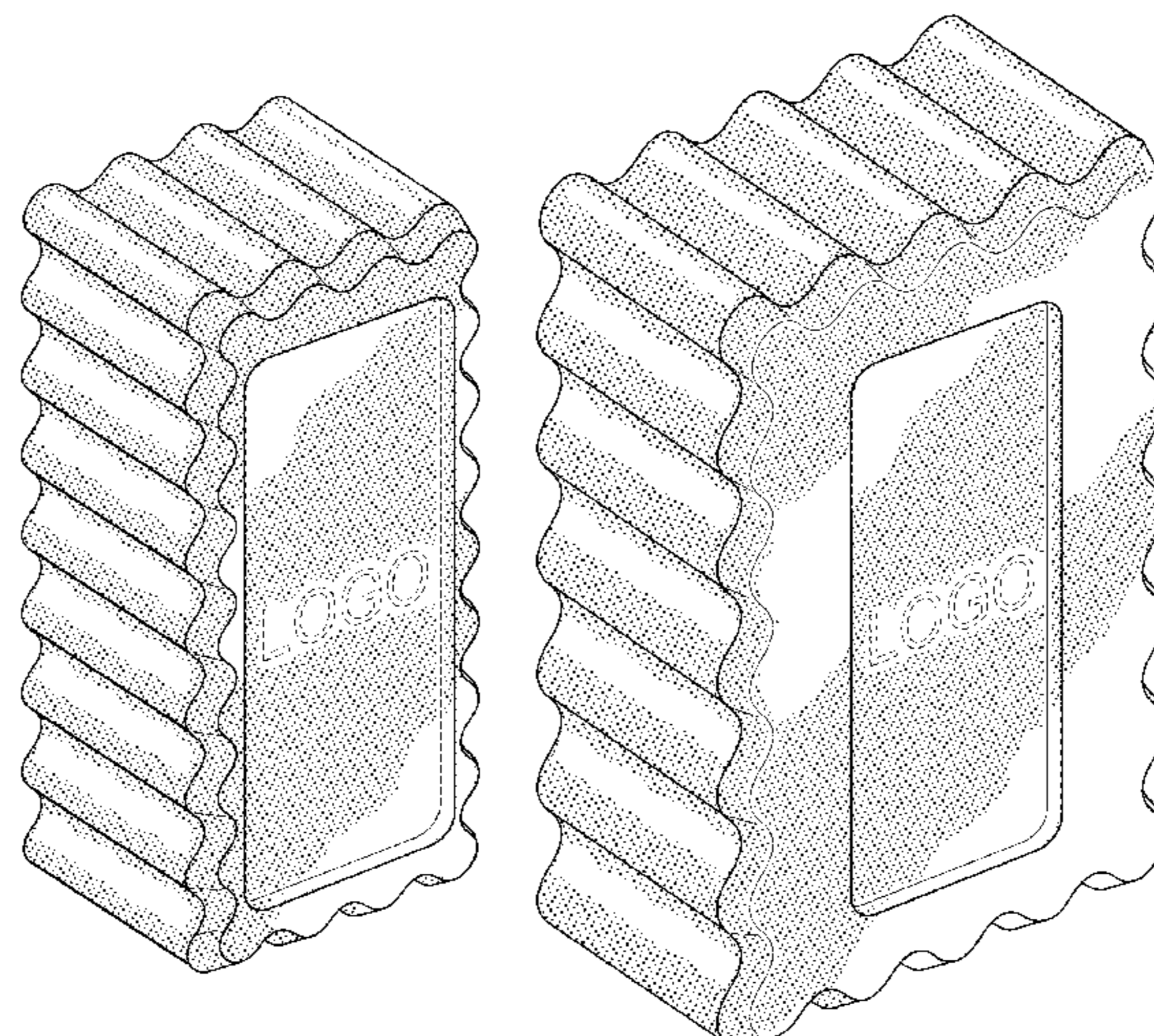
FIG. 9 is a top perspective view of another embodiment of a salt block of the present invention;

FIG. 10 is a top perspective view of another embodiment of a salt block of the present invention; and,

FIG. 11 is a top perspective view of another embodiment of a salt block of the present invention.

The broken lines in FIGS. 1-11 illustrate portions of the salt block that form no part of the claimed design.

1 Claim, 11 Drawing Sheets



(58) **Field of Classification Search**

CPC 37/043; A47J 37/049; A47J 43/18; A22C
 17/006; A22C 13/0013; B65D 81/343
 See application file for complete search history.

(56) **References Cited**

U.S. PATENT DOCUMENTS

D99,590	S	*	5/1936	Torongo	D1/100
2,685,517	A	*	8/1954	Dunmire	A23K 40/10 100/906
D226,595	S	*	4/1973	Caunes	D1/121
4,746,452	A	*	5/1988	Marek	C11D 17/00 510/148
D310,130	S		8/1990	van Kooten		
D372,270	S	*	7/1996	Jones	D18/56
D375,950	S	*	11/1996	Jones	D14/137
D377,085	S	*	12/1996	Tortarolo	D24/101
D383,153	S	*	9/1997	Jones	D18/56
D415,193	S	*	10/1999	Jones	347/88
5,988,805	A	*	11/1999	Meinhardt	B41J 2/17593 347/88
D440,248	S	*	4/2001	Mattern	D18/56
D455,274	S	*	4/2002	O'Hare	D6/300
D475,832	S	*	6/2003	Fink	D99/18
D512,784	S	*	12/2005	Quintana	D25/115
D542,836	S	*	5/2007	Derr	D18/18
D715,516	S	*	10/2014	Barnvos	D1/106
D725,866	S	*	4/2015	Barnvos	D1/106
D763,250	S	*	8/2016	Jannard	D14/341
D789,514	S	*	6/2017	Hill	D24/101
2016/0015043	A1	*	1/2016	Mihalos	A21C 15/002 426/303

* cited by examiner

Fig. 1

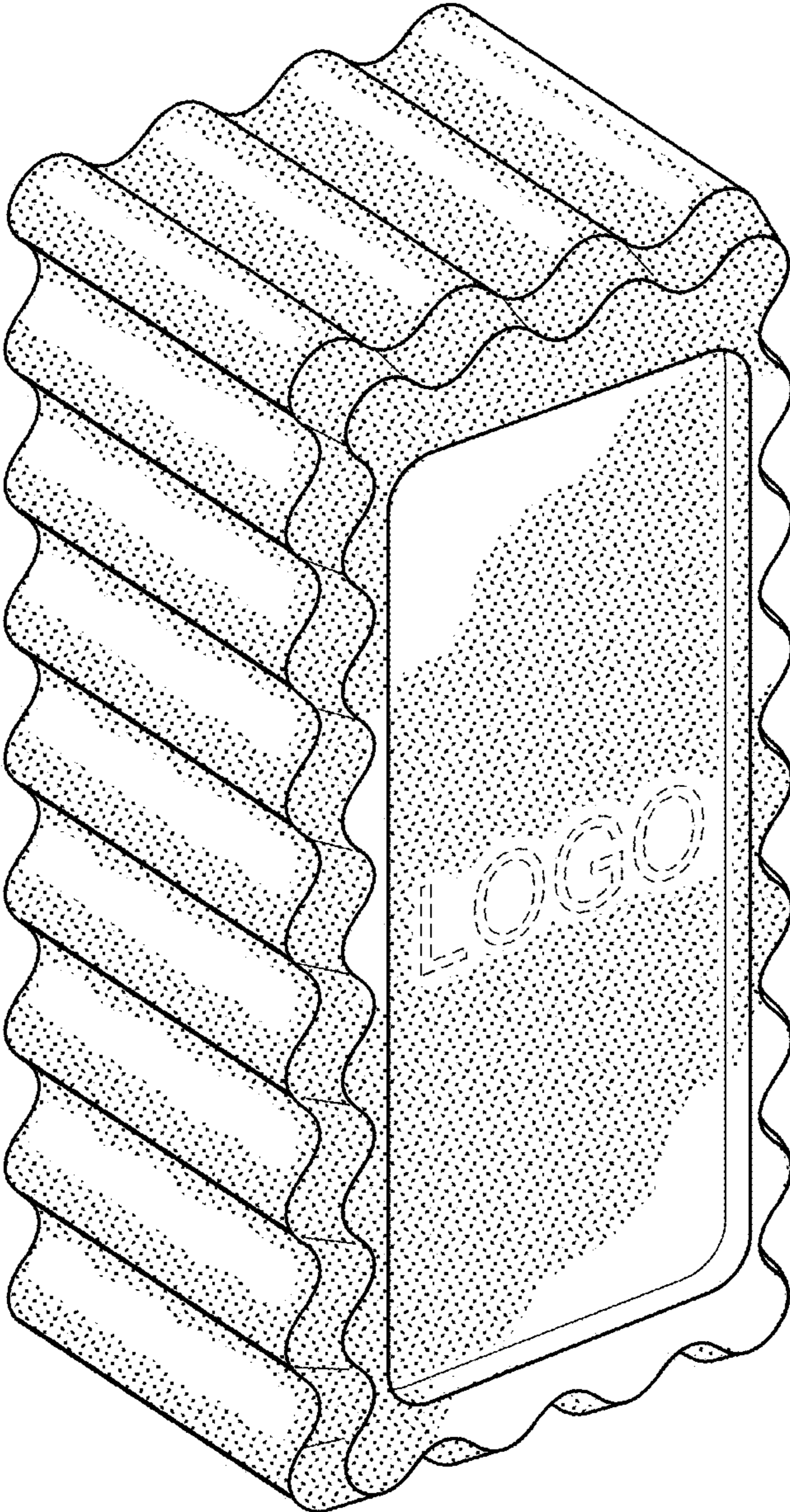


Fig. 2

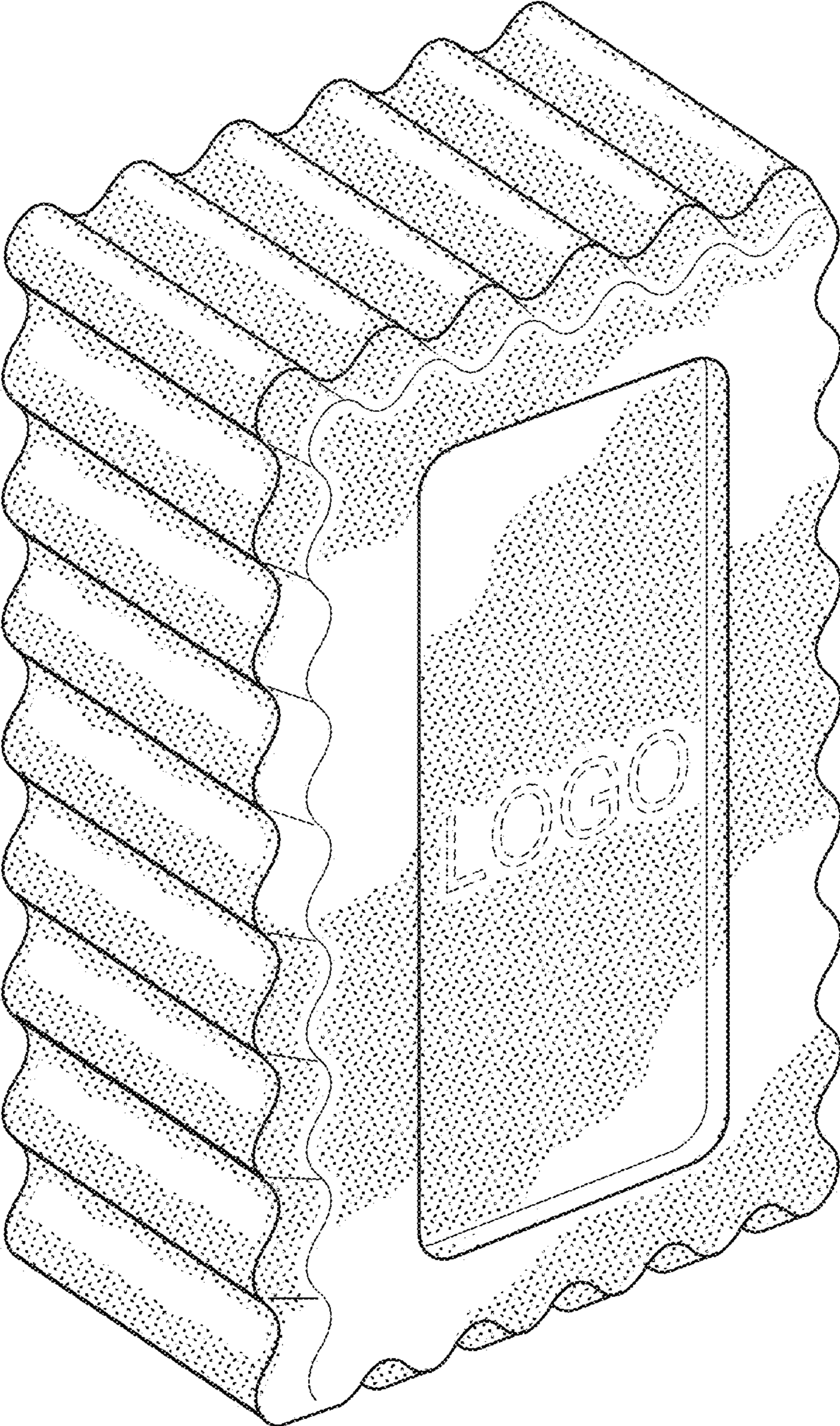


Fig. 3

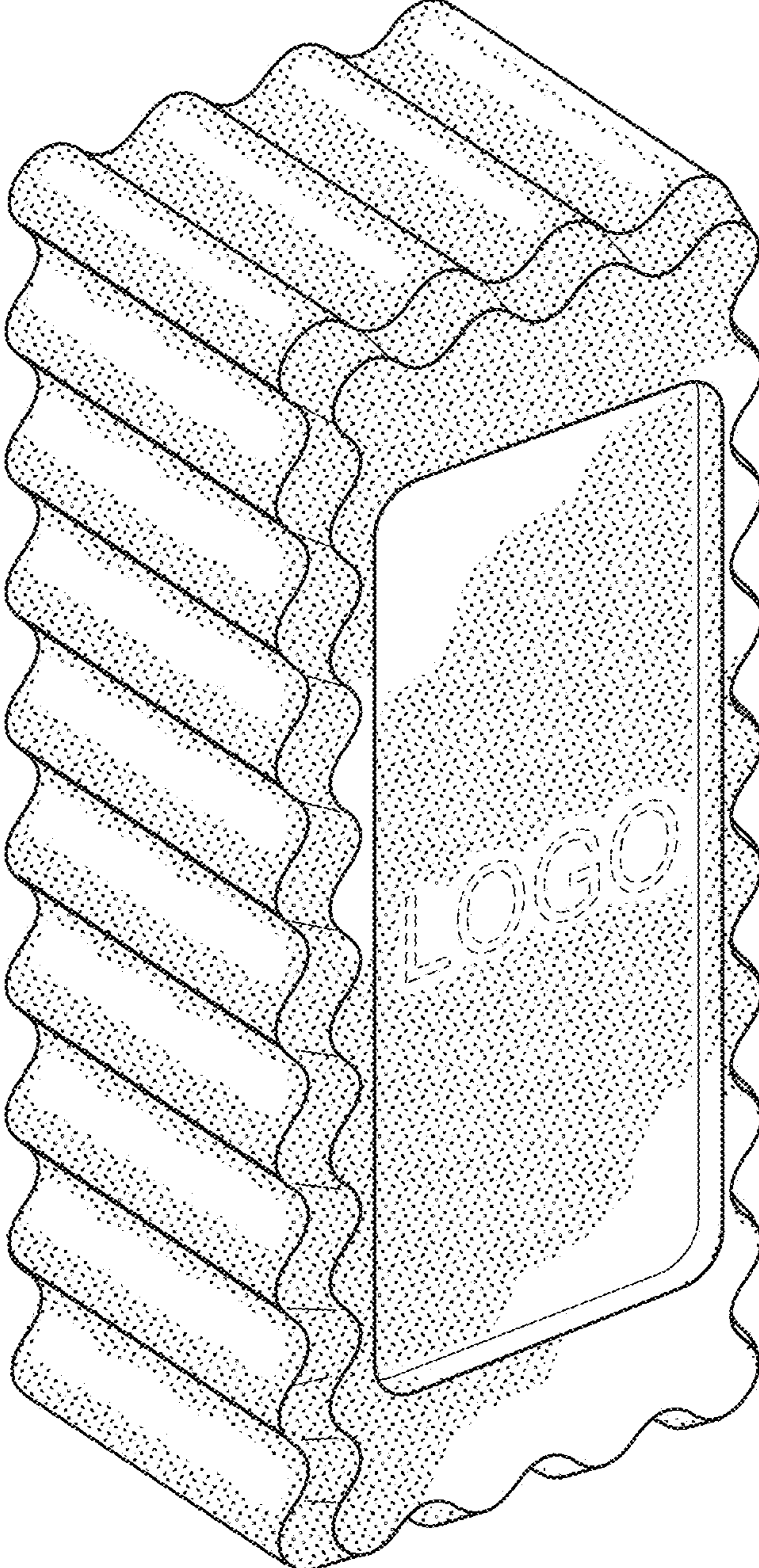


Fig. 4

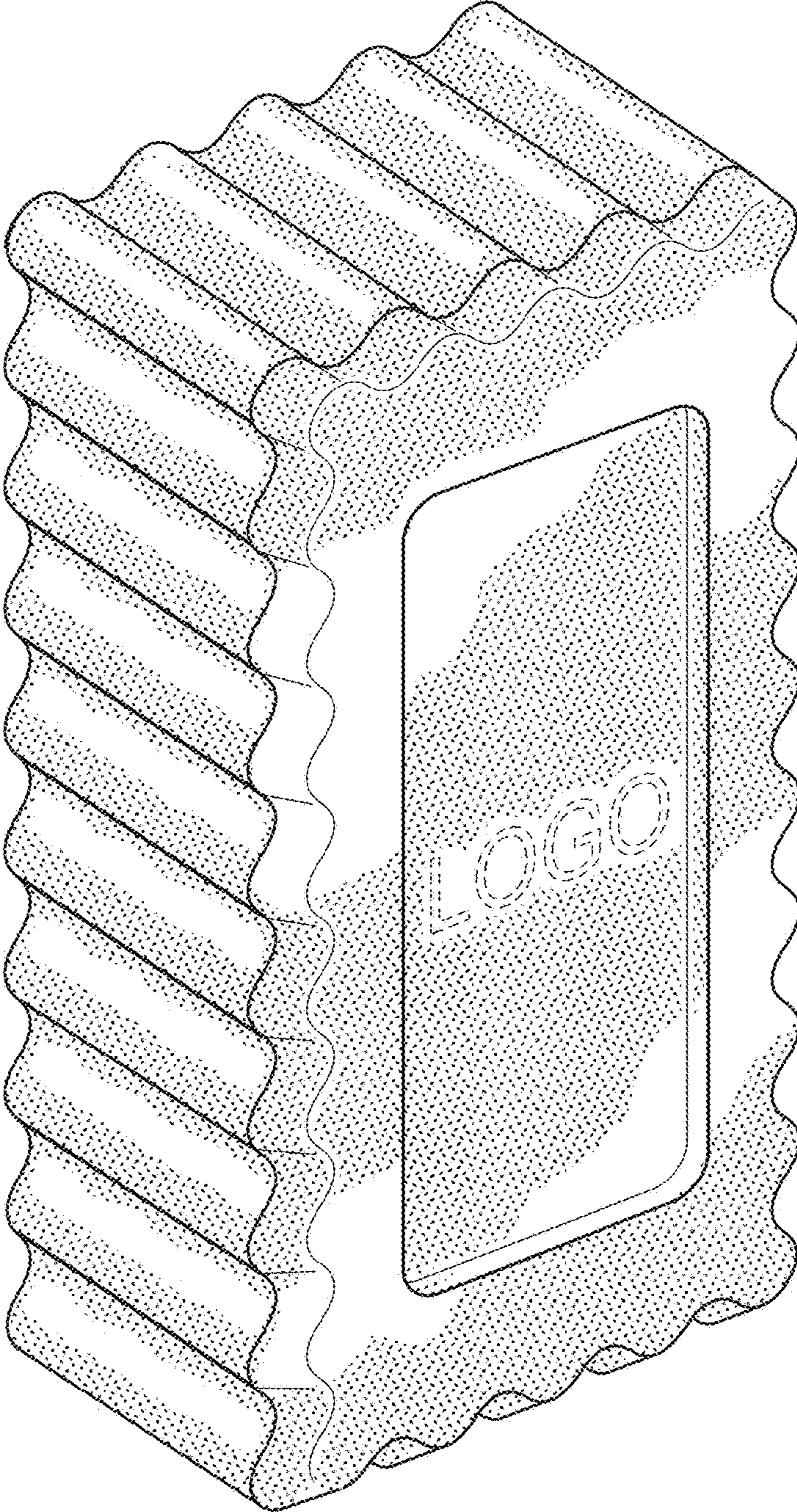


Fig. 5

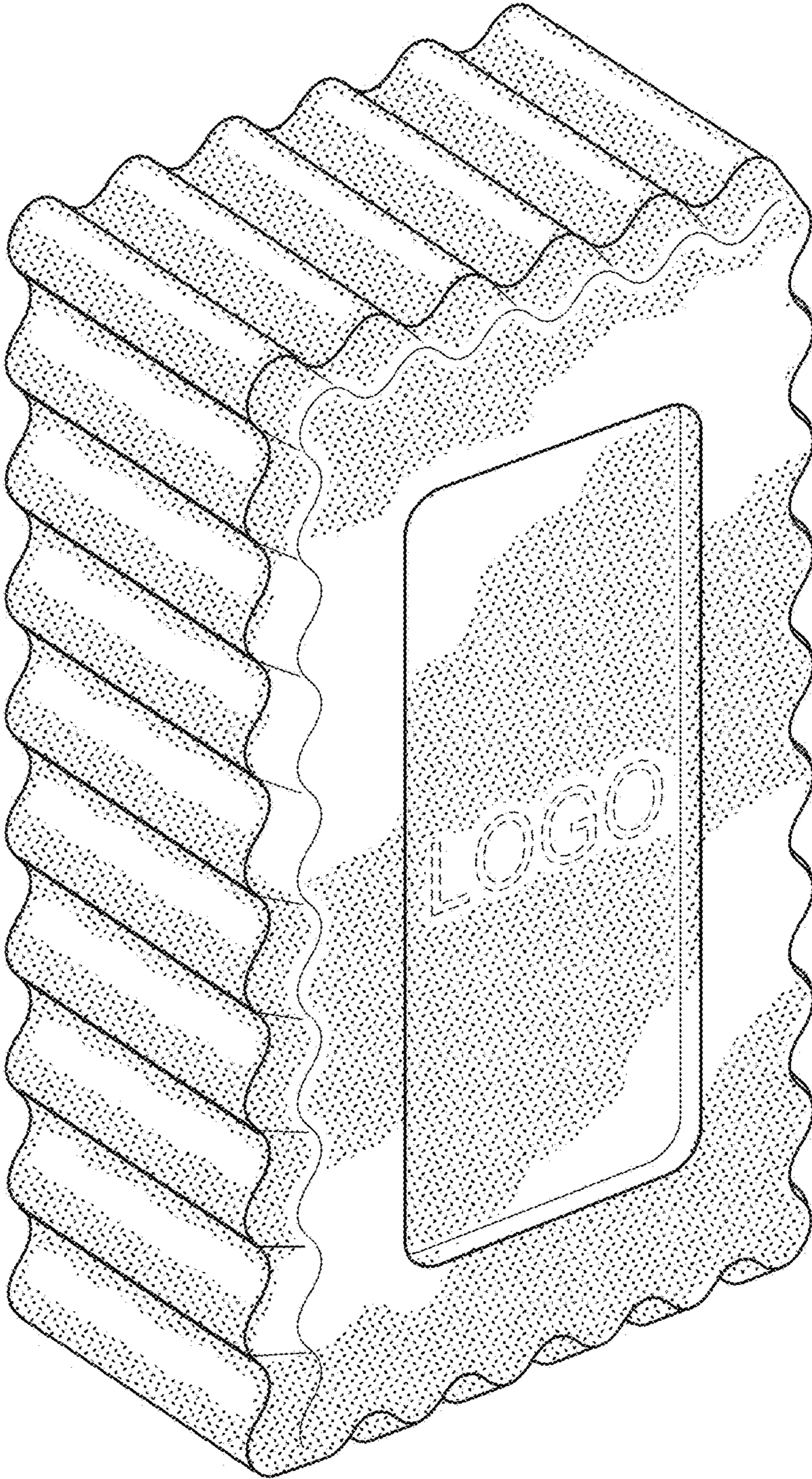


Fig. 6

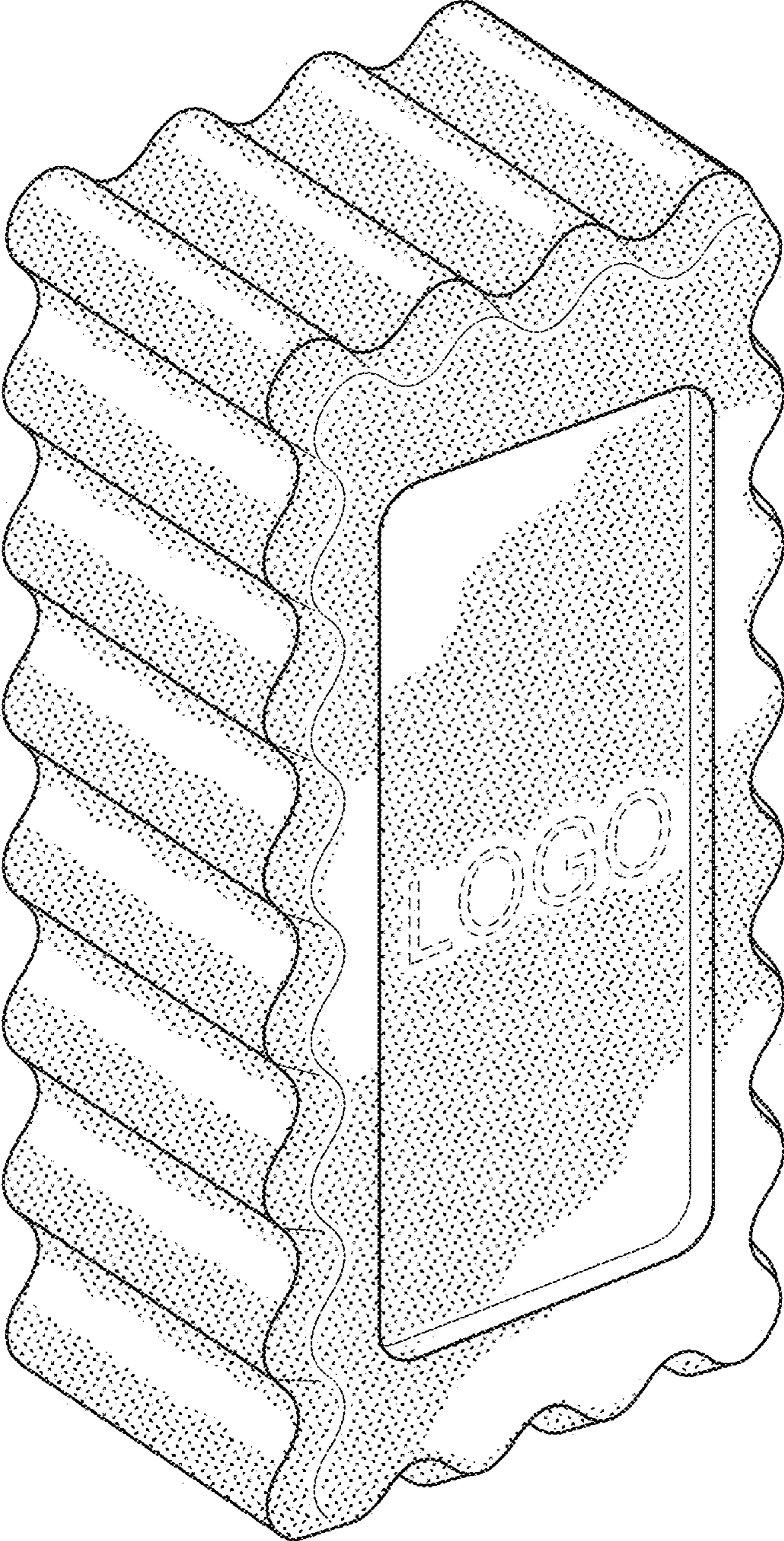


Fig. 7

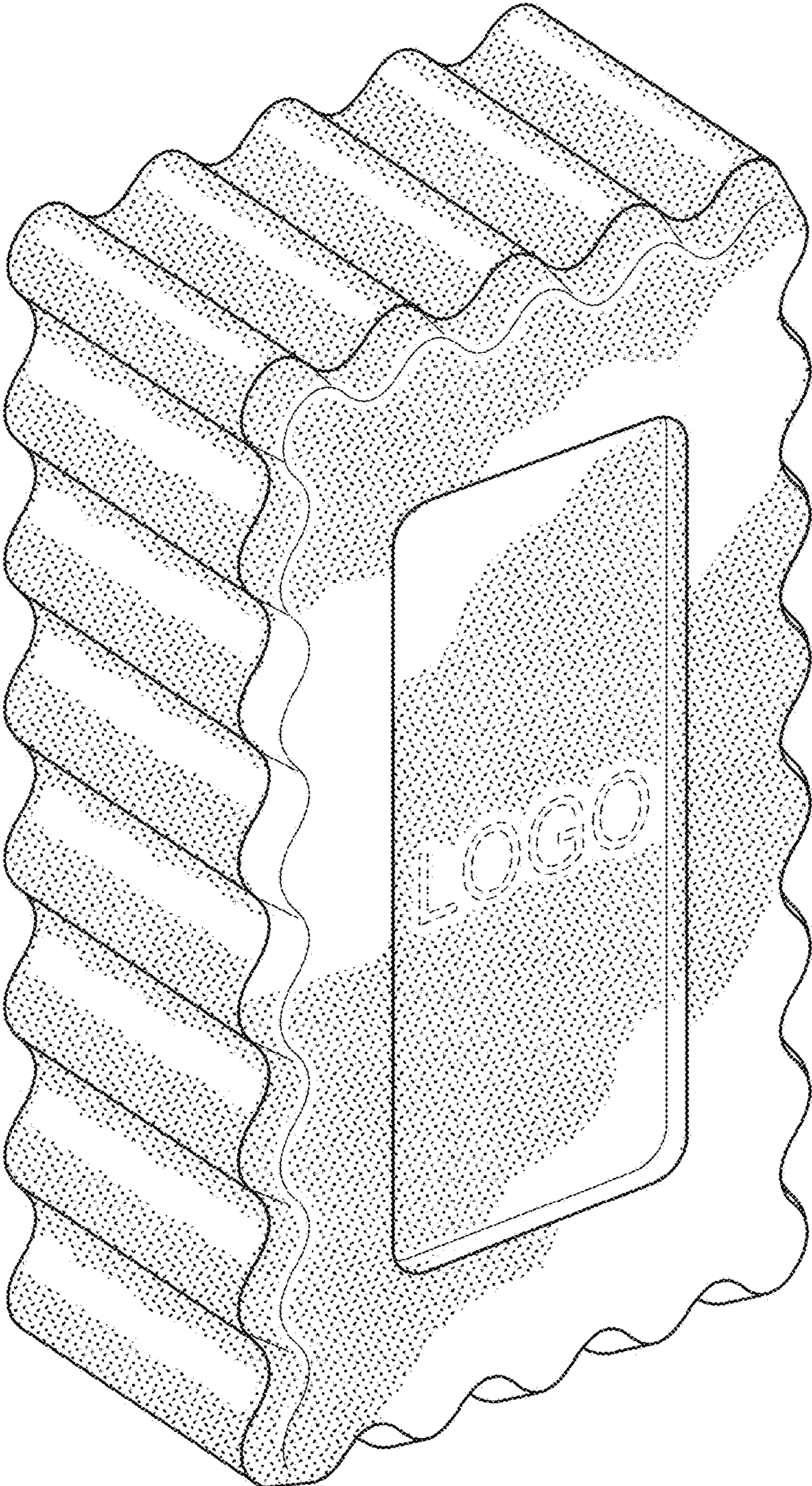


Fig. 8

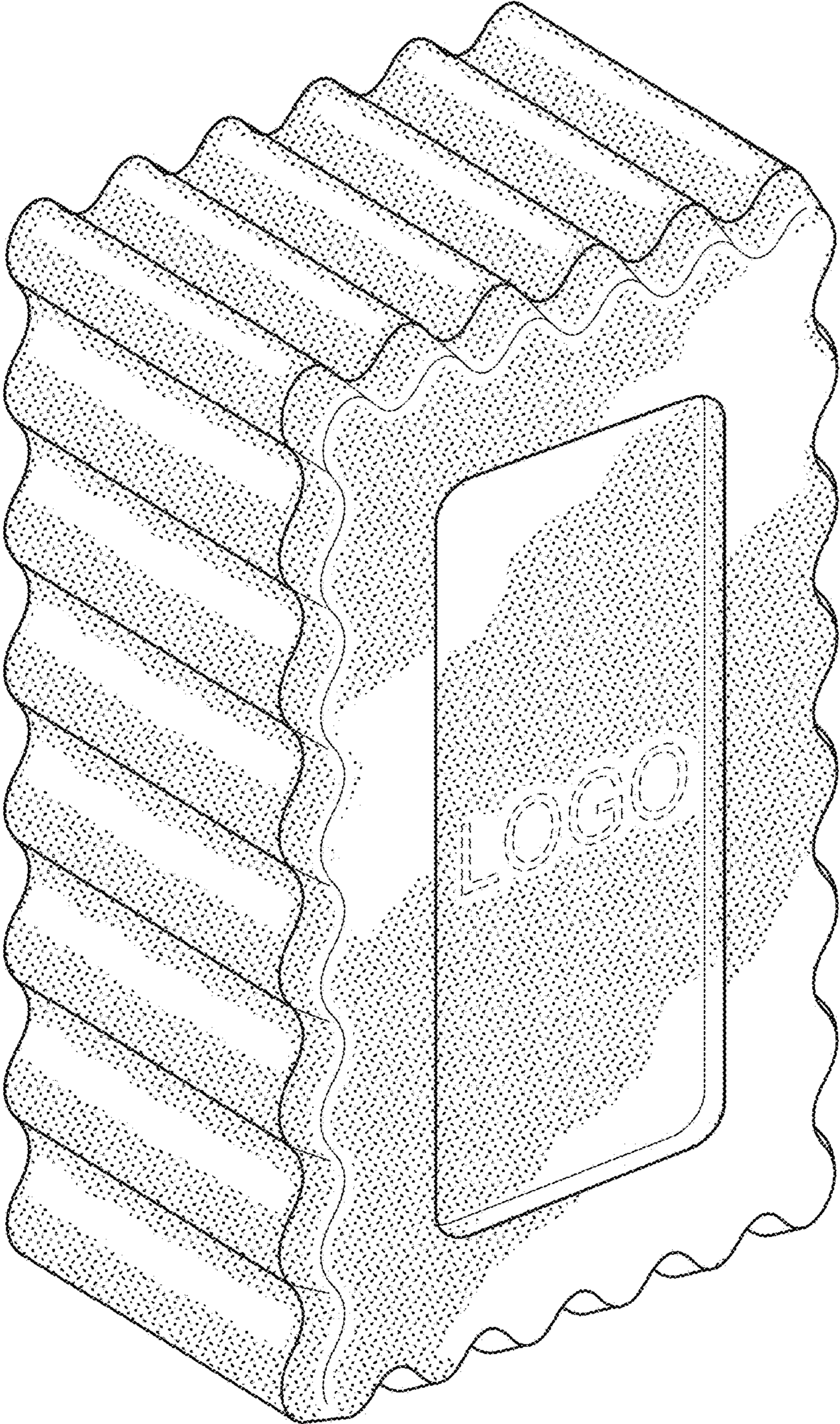


Fig. 9

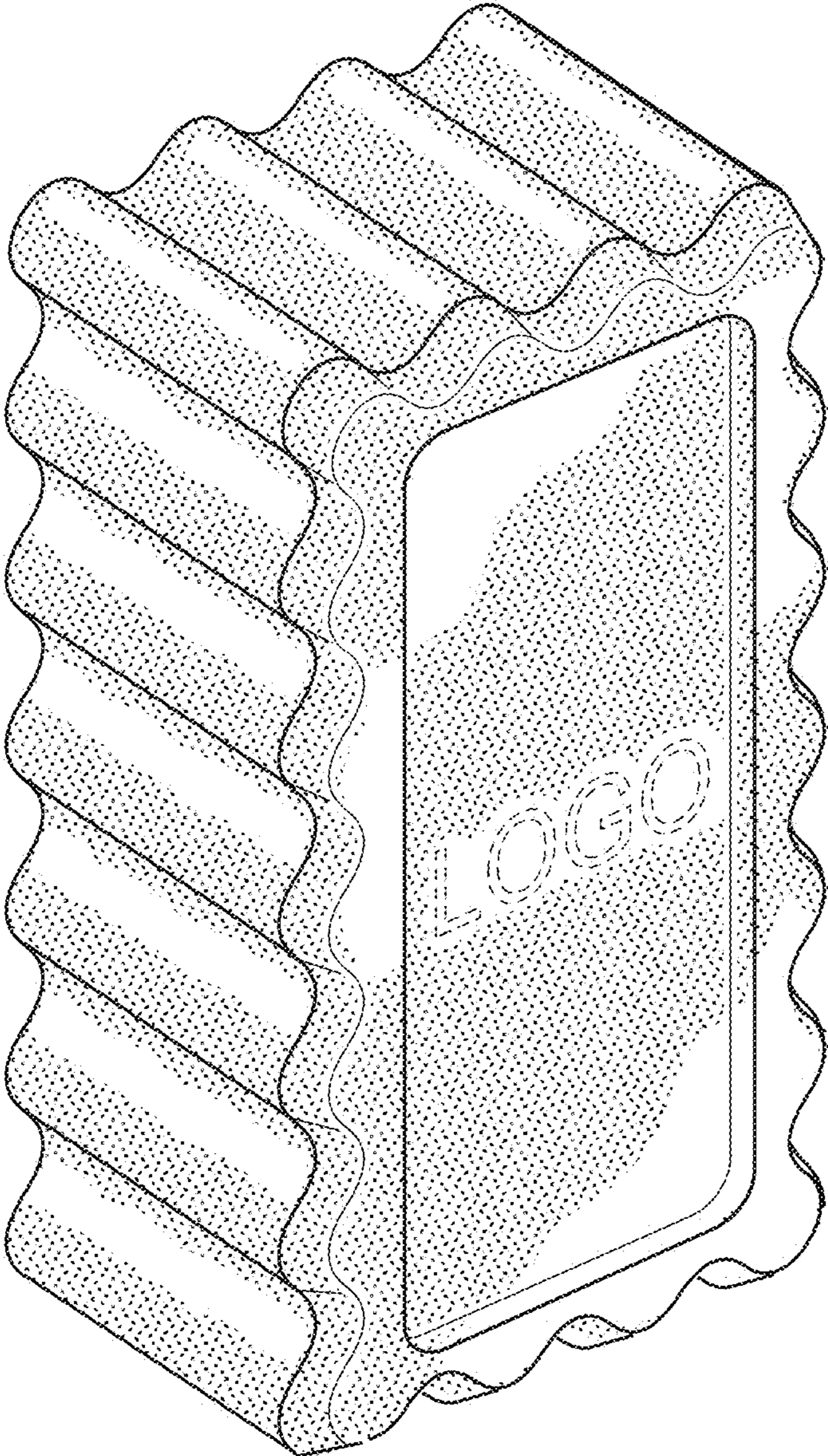


Fig. 10

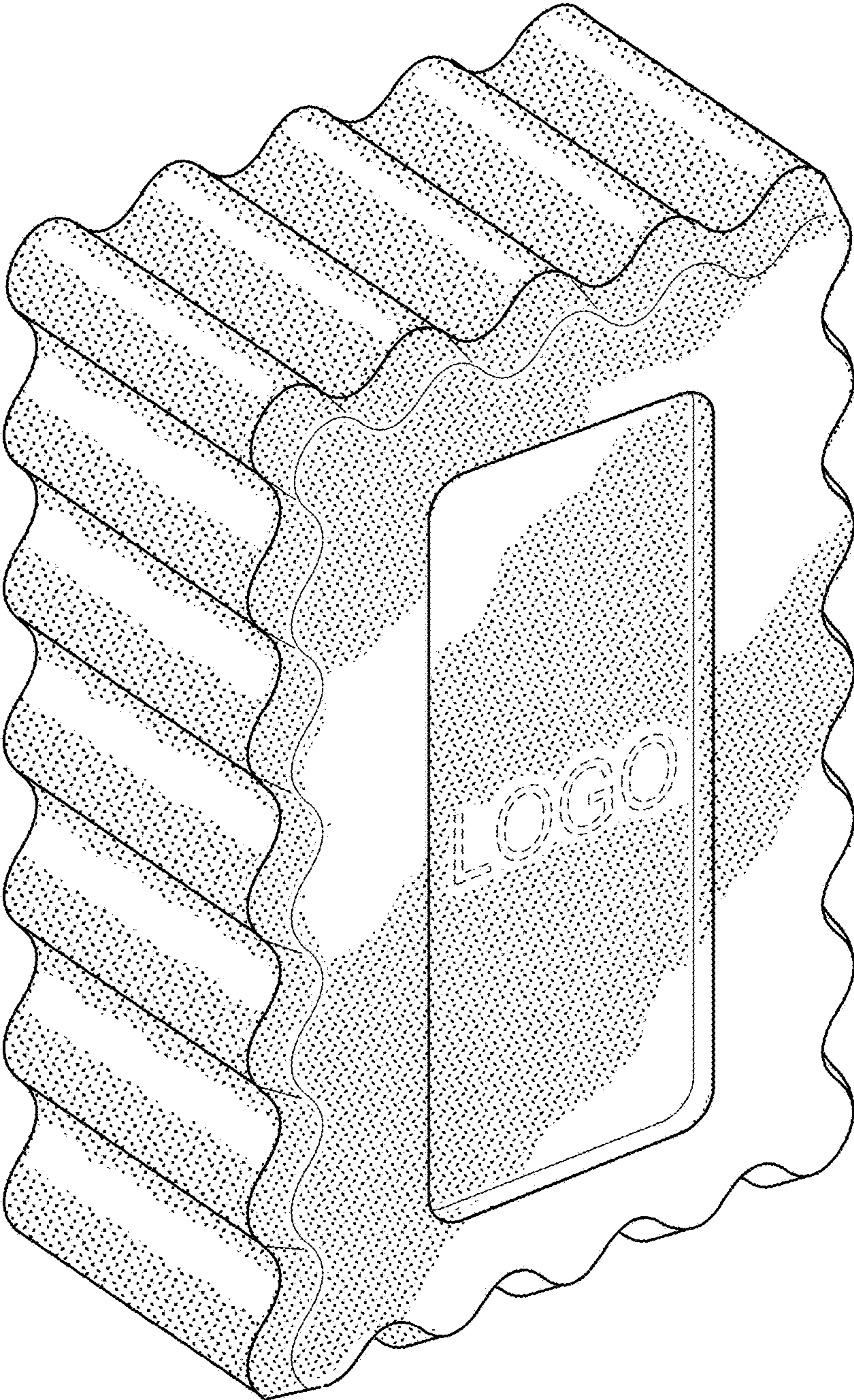
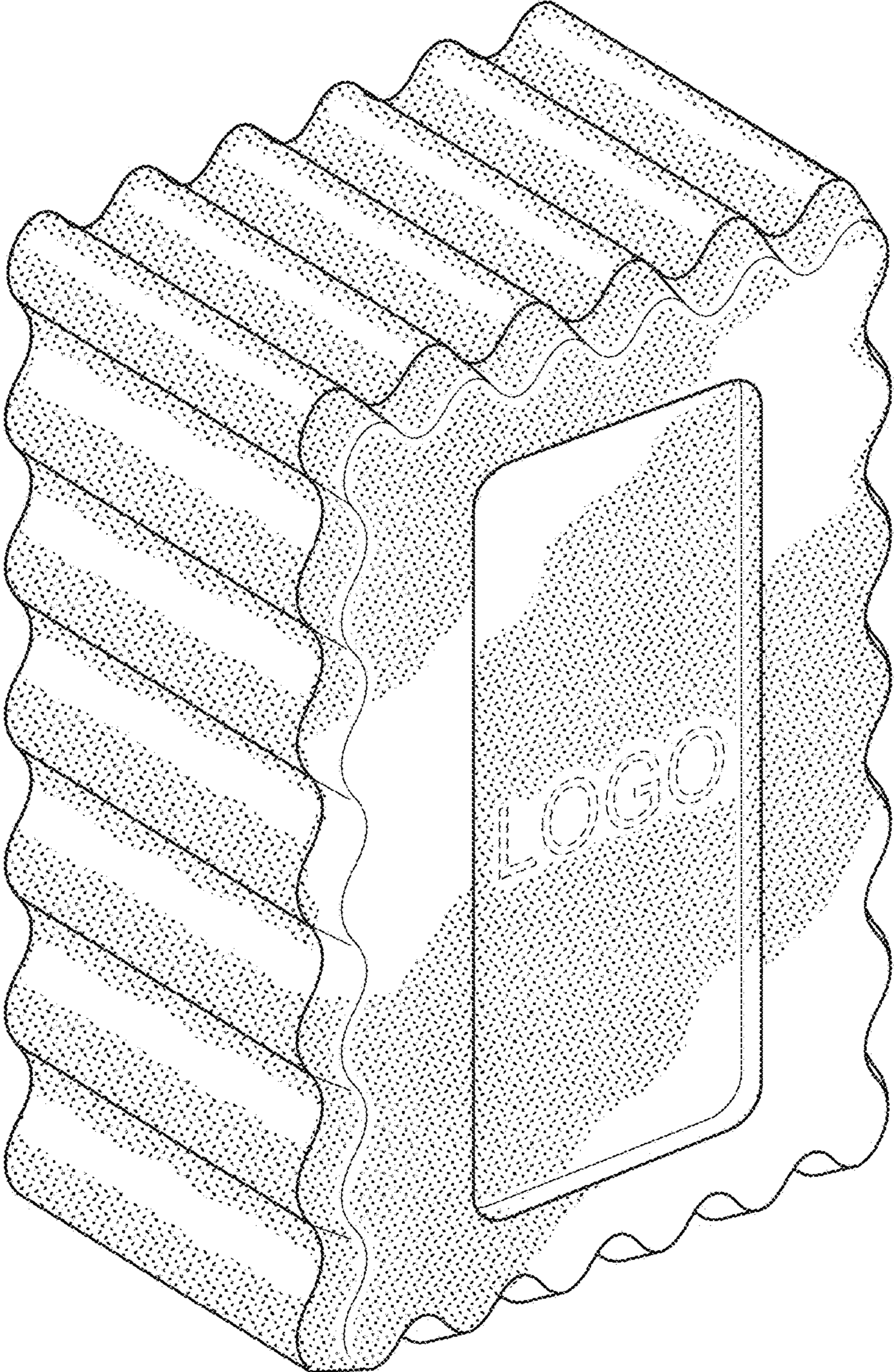


Fig. 11



UNITED STATES PATENT AND TRADEMARK OFFICE
CERTIFICATE OF CORRECTION

PATENT NO. : D831,295 S
APPLICATION NO. : 29/600332
DATED : October 23, 2018
INVENTOR(S) : Barson et al.

Page 1 of 1

It is certified that error appears in the above-identified patent and that said Letters Patent is hereby corrected as shown below:

On the Title Page

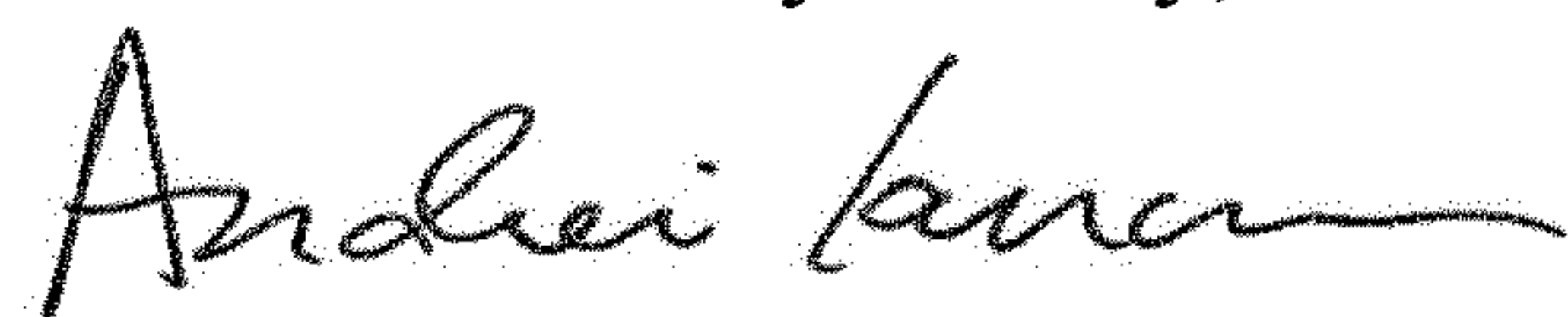
Item (72) Inventors:

Please delete "Ryan Fleming, Glenview, IL (US)"

Please delete "Ronelle Scheller, Chicago, IL (US)"

Please delete "Amy Vemulapalli, Chicago, IL (US)"

Signed and Sealed this
Fourteenth Day of May, 2019



Andrei Iancu
Director of the United States Patent and Trademark Office