



US00D831294S

(12) **United States Design Patent**
Gale

(10) **Patent No.:** **US D831,294 S**
(45) **Date of Patent:** **** Oct. 16, 2018**

(54) **TRANSPARENT COIN HOLDER AND METALLIC LABEL**

(71) Applicant: **Asset Marketing Services, LLC**,
Burnsville, MN (US)

(72) Inventor: **William J Gale**, Lakewood Ranch, FL
(US)

(73) Assignee: **Asset Marketing Services, LLC**,
Burnsville, MN (US)

(**) Term: **15 Years**

(21) Appl. No.: **29/594,866**

(22) Filed: **Feb. 23, 2017**

(51) **LOC (11) Cl.** **03-01**

(52) **U.S. Cl.**
USPC **D99/34**

(58) **Field of Classification Search**
USPC D99/28, 34, 35, 36, 43, 99; D18/3.1, 3.2,
D18/3.3, 46, 47

(Continued)

(56) **References Cited**

U.S. PATENT DOCUMENTS

343,704 A * 6/1886 Drakenfeld B65D 71/0085
206/460
464,728 A * 12/1891 Evans B65D 27/00
229/92.9

(Continued)

FOREIGN PATENT DOCUMENTS

CN 202553167 U 11/2012

OTHER PUBLICATIONS

“2017 1 Dollar 1-oz Silver Eagle NGC MS69 First Releases 225th Anniversary—Black,” GovMint.com, <http://www.govmint.com/us-coins/silver-coins/silver-eagle/2017-1-dollar-1-oz-silver-eagle-ngc-ms69-first-releases-225th-anniversary-black.html>, retrieved from internet Mar. 24, 2017, 5 pp.

(Continued)

Primary Examiner — Elizabeth J Oswecki

(74) *Attorney, Agent, or Firm* — Grumbles Law PLLC;
Brittany Nanzig

(57) **CLAIM**

The ornamental design for a transparent coin holder and metallic label, as shown and described.

DESCRIPTION

FIG. 1 is a front, right side perspective view of a first embodiment of a transparent coin holder and metallic label showing my new design.

FIG. 2 is a front elevational view of the transparent coin holder and metallic label of FIG. 1.

FIG. 3 is a front right side perspective view of a second embodiment of a transparent coin holder and metallic label showing my new design.

FIG. 4 is a front elevational view of the transparent coin holder and metallic label of FIG. 3.

FIG. 5 is a front right side perspective view of a third embodiment of a transparent coin holder and metallic label showing my new design.

FIG. 6 is a front elevational view of the transparent coin holder and metallic label of FIG. 5.

FIG. 7 is a front right side perspective view of a fourth embodiment of a transparent coin holder and metallic label showing my new design.

FIG. 8 is a front elevational view of the transparent coin holder and metallic label of FIG. 7.

FIG. 9 is a back left side perspective view of the transparent coin holder and metallic label of FIG. 1.

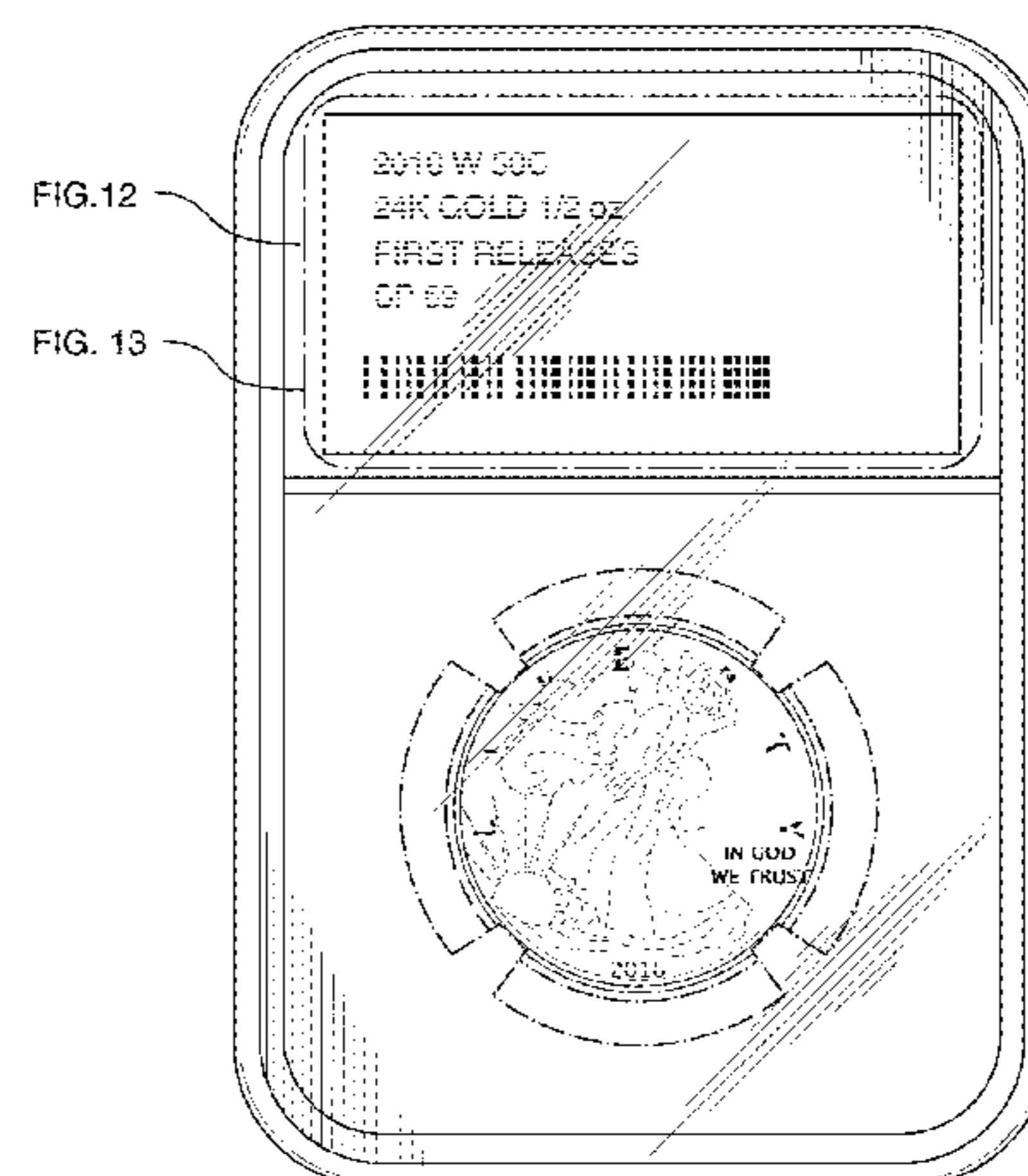
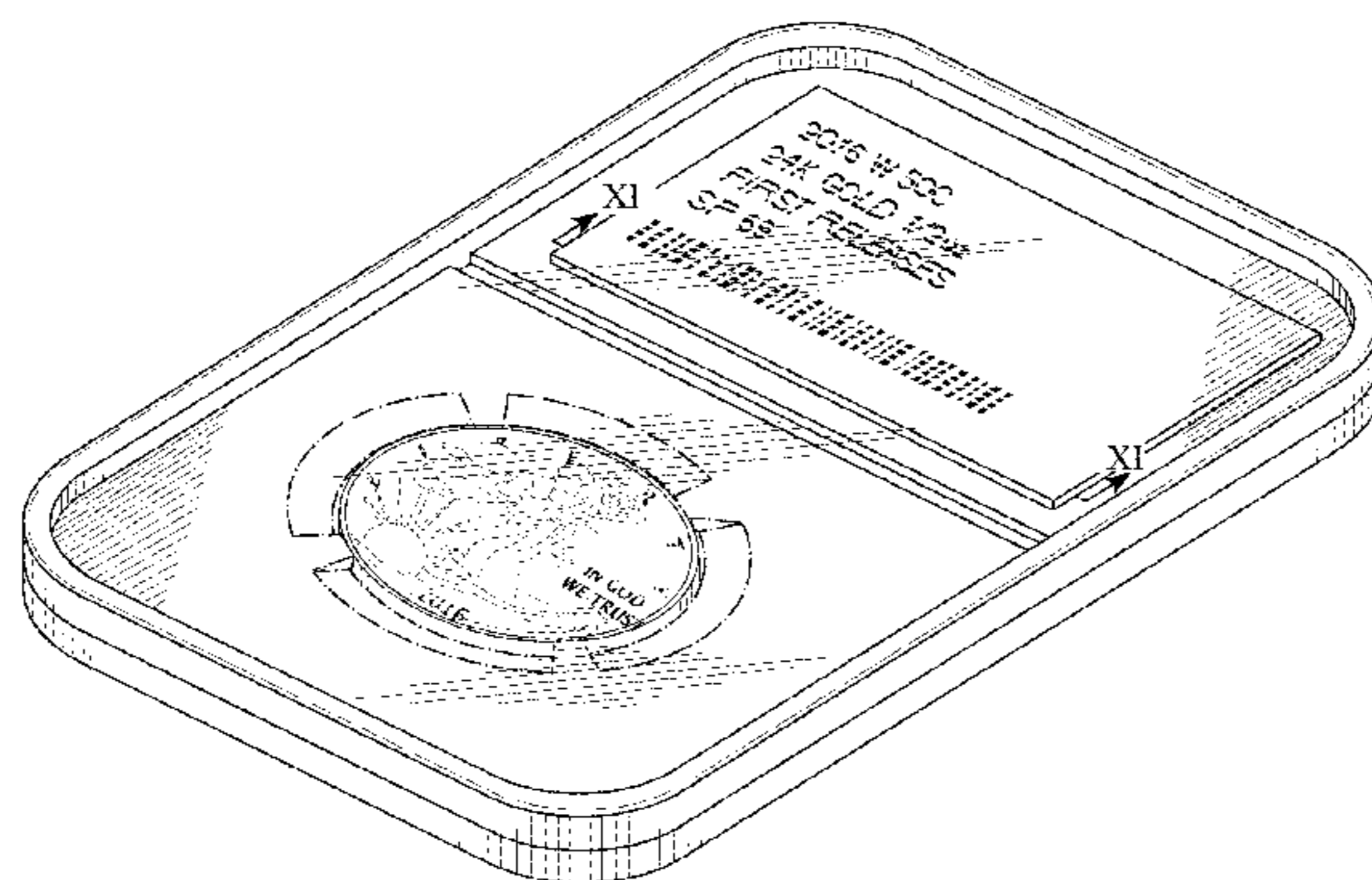
FIG. 10 is a back elevational view of the transparent coin holder and metallic label of FIG. 1.

FIG. 11 is a cross-sectional view taken along line XI-XI of FIG. 1, showing a portion of the metallic label when removed separately from the transparent coin holder.

FIG. 12 is an enlarged, front elevational view of the metallic label taken from the broken line circle in FIG. 2, the metallic label shown in gold; and,

FIG. 13 is an enlarged, front elevational view of the metallic label taken from the broken line circle in FIG. 2, the metallic label shown in silver.

(Continued)



The broken line rectangular pattern in FIG. 12 represents the color gold, and the horizontal even dashed line pattern in FIG. 13 represents the color silver. The dashed-dot-dashed lines, the broken barcode lines, the broken lines on the coin, and the broken text lines in FIGS. 1-13 represent subject matter that forms no part of the claimed design.

1 Claim, 7 Drawing Sheets

(58) **Field of Classification Search**

CPC A45C 1/12; A45C 2001/003; A45C 2001/006; A45C 2001/102; A45C 2001/104; A45C 2001/105; A45C 2001/107; A45C 2001/108; A45B 2001/125; G07D 9/00; G07D 9/002; G07D 9/004; G07D 9/006; G07D 9/008; G07D 9/02; G07D 9/04; G07D 9/06; G07D 9/065; G07D 11/00; G07D 13/00; G07D 2201/00; G07F 9/04; G07F 9/06; G07F 9/08; B42F 5/00

See application file for complete search history.

(56) **References Cited**

U.S. PATENT DOCUMENTS

1,419,065 A * 6/1922 Lichter B42F 5/02
229/92.9
1,719,962 A * 7/1929 Reistle G09F 5/042
206/0.8
2,139,150 A * 12/1938 Curtis A47F 7/02
206/0.83
2,258,535 A * 10/1941 Buranelli G07D 9/004
206/0.83
2,672,977 A * 3/1954 Seitz A47G 1/12
206/0.83
2,860,774 A * 11/1958 Ball B42D 1/08
206/0.84
2,998,126 A * 8/1961 Jenkins A47G 1/12
206/0.83
3,100,567 A * 8/1963 Levy A47G 1/12
206/0.82
D197,045 S * 12/1963 Spedaro D99/34
3,155,236 A * 11/1964 Reno A47F 7/02
206/0.82
3,193,090 A * 7/1965 Hudgeons, Sr. A47G 1/12
206/0.83
3,217,866 A * 11/1965 Phelps 206/0.83
D207,012 S 2/1967 Minix
3,751,128 A * 8/1973 Skinner A47F 7/03
206/0.8
D231,239 S * 4/1974 Palumbo, Jr. D11/140
D263,060 S 2/1982 Yoshizawa
D267,047 S * 11/1982 Lindstrom D9/426
4,466,534 A * 8/1984 Dunn B65D 75/54
206/462
4,805,680 A * 2/1989 Ueno A45C 11/182
150/145
4,915,214 A 4/1990 Wieder
D332,684 S * 1/1993 Melamed D99/34

D354,455 S 1/1995 Hosker
D359,255 S 6/1995 Williams
5,590,761 A 1/1997 Owen
D423,757 S 4/2000 Briggs
6,128,840 A * 10/2000 Boisvert G09F 5/04
206/8
D447,052 S * 8/2001 Goserud D9/418
6,330,942 B1 12/2001 Raymond
6,814,227 B2 * 11/2004 Seligman A47G 1/12
206/0.82
D503,025 S 3/2005 Taylor
7,134,546 B2 11/2006 Seligman et al.
D569,575 S * 5/2008 Yalinkaya D99/34
D570,075 S * 5/2008 Wood D99/34
D571,075 S 6/2008 Yalinkaya
D575,147 S * 8/2008 Ruybal D99/34
D589,787 S * 4/2009 Ruybal D99/34
D595,924 S * 7/2009 Haynes D99/34
D628,799 S * 12/2010 Andre D3/269
D642,414 S * 8/2011 Wynalda, Jr. D6/407
D646,917 S * 10/2011 Wynalda, Jr. D6/627
D648,718 S * 11/2011 Andre D14/250
D651,253 S 12/2011 Hayes
D673,613 S 1/2013 Murphy et al.
D677,732 S 3/2013 Clark et al.
8,408,387 B2 * 4/2013 Sottile G07D 9/002
206/0.82
8,550,239 B2 * 10/2013 Nakonechny A47G 1/12
206/0.81
8,661,889 B2 3/2014 Blake
D707,297 S 6/2014 Hoang et al.
D727,721 S * 4/2015 Mayer D9/415
D734,143 S * 7/2015 Mayer D9/415
D761,515 S * 7/2016 Johnson D99/34
2004/0010953 A1 * 1/2004 Chimenti G09F 3/20
40/661.08
2004/0182735 A1 * 9/2004 Lombardi B65D 73/0014
206/461
2006/0060274 A1 * 3/2006 Duffy A45C 1/06
150/136
2006/0278539 A1 * 12/2006 Fager A47G 1/12
206/0.82
2007/0113451 A1 5/2007 McDowell et al.
2011/0031139 A1 2/2011 Macor
2015/0283845 A1 10/2015 Marcus

OTHER PUBLICATIONS

“2017-W 1 Dollar 1-oz Silver Eagle Proof PCGS PR69DCAM First Strike,” GovMint.com, <http://www.govmint.com/us-coins/silver-coins/silver-eagle/2017-w-1-dollar-1-oz-silver-eagle-proof-pcgs-pr69dcam-first-strike.html>, retrieved from internet Mar. 24, 2017, 5 pp.
“2017 100 Dollar Benjamin Franklin Silver Currency Strike,” GovMint.com, <http://www.govmint.com/2017-100-dollar-5-gram-silver-benjamin-franklin-replica-currency-proof.html>, retrieved from internet Mar. 29, 2017, 5 pp.
“As promised, the PCGS generations with pictures. Very Long! updated Oct. 27, 2006,” Collectors Universe, <https://forums.collectors.com/discussion/222533/as-promised-the-pcgs-generations-with-pictures-very-long-updated-10-27-06>, retrieved from internet Mar. 27, 2017, 14 pp.

* cited by examiner

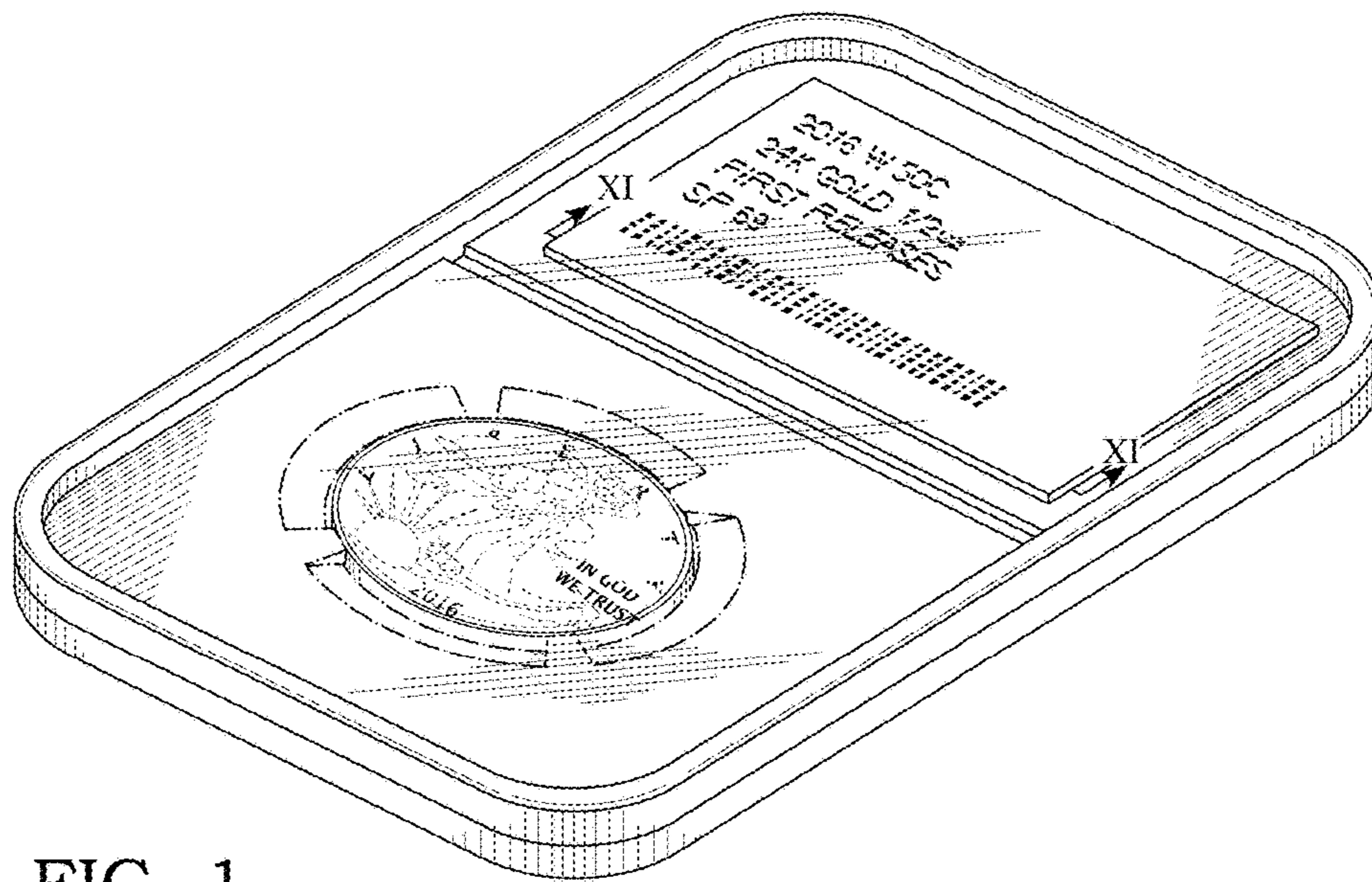


FIG. 1

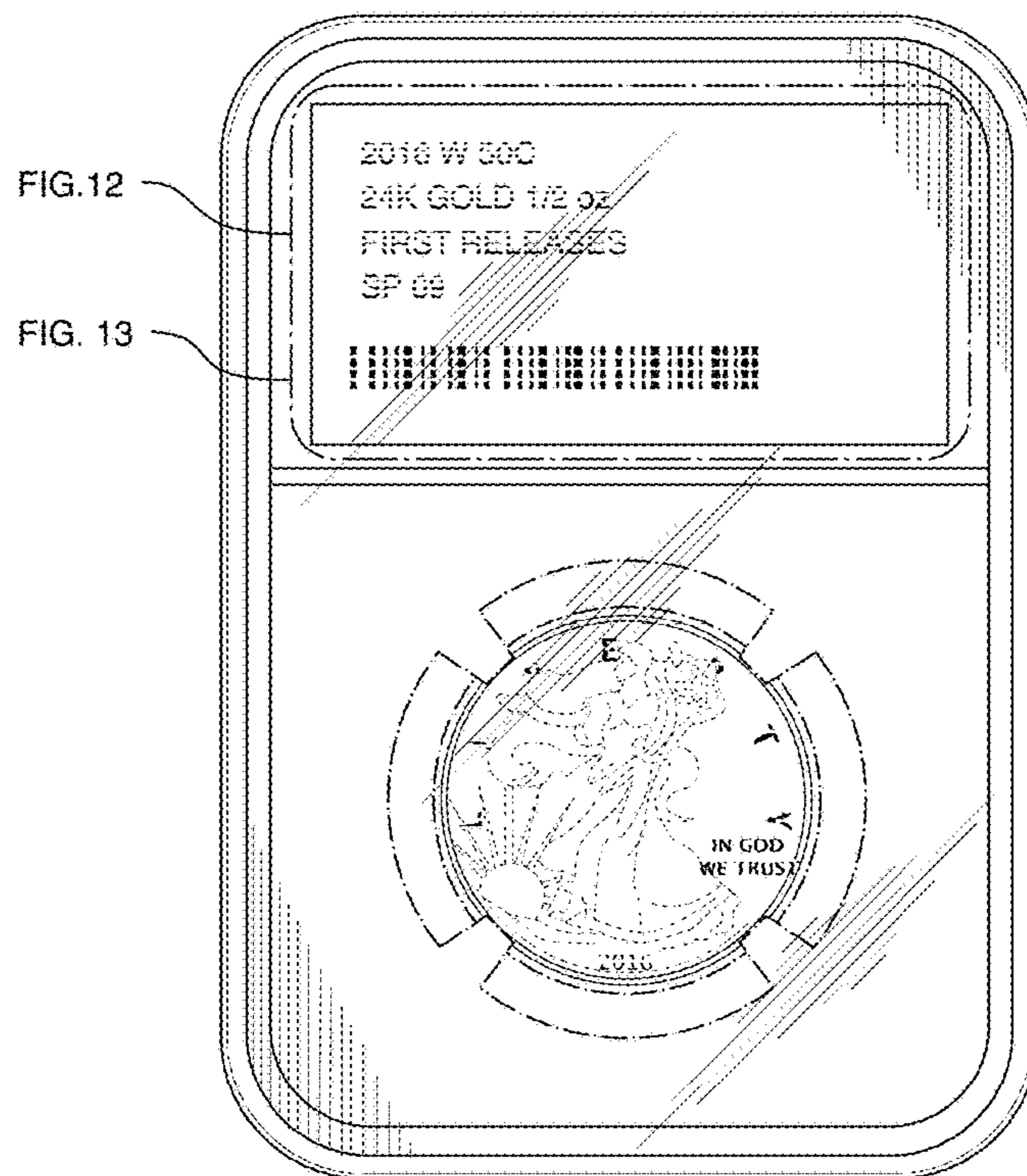


FIG. 2

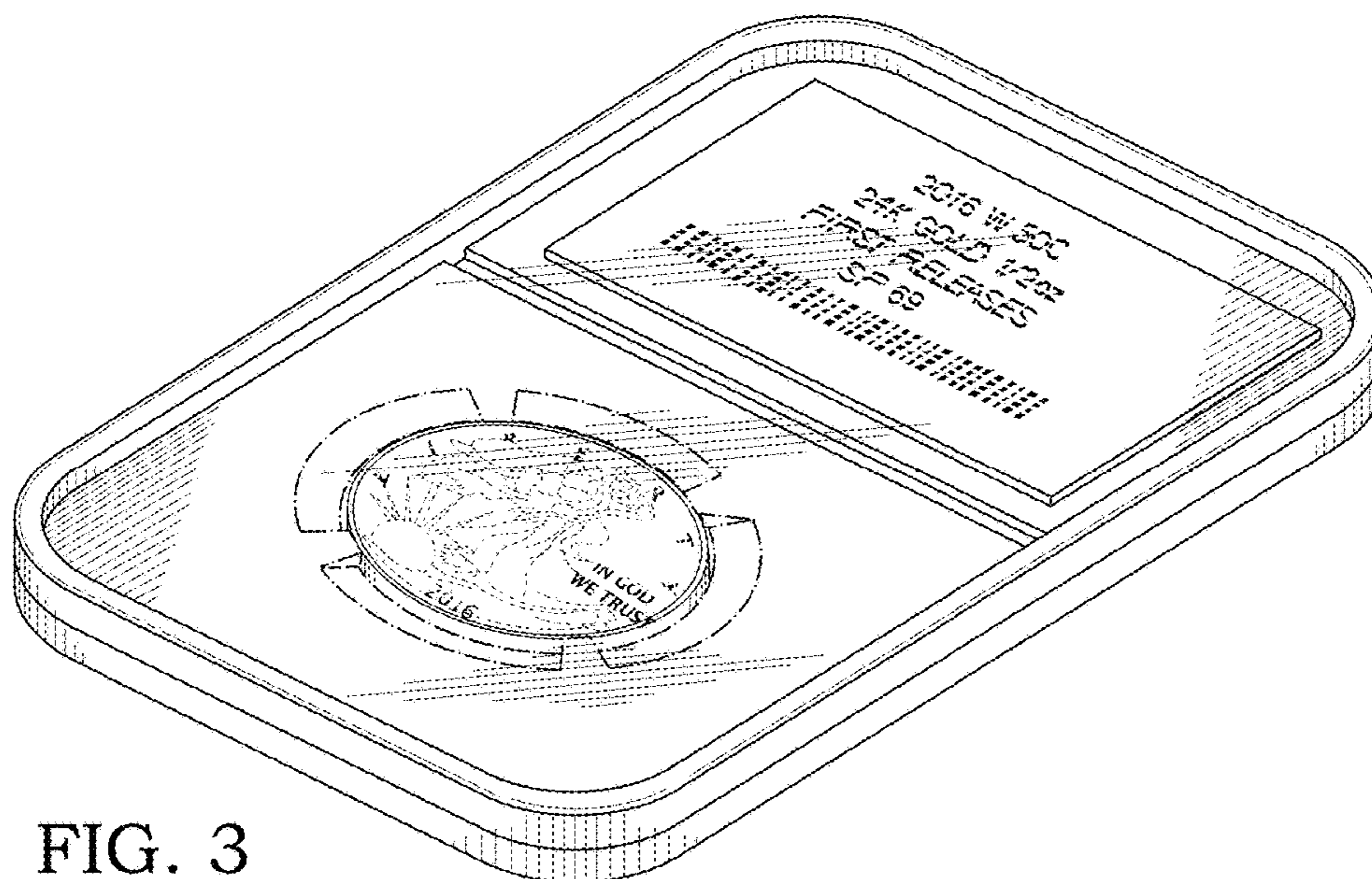


FIG. 3

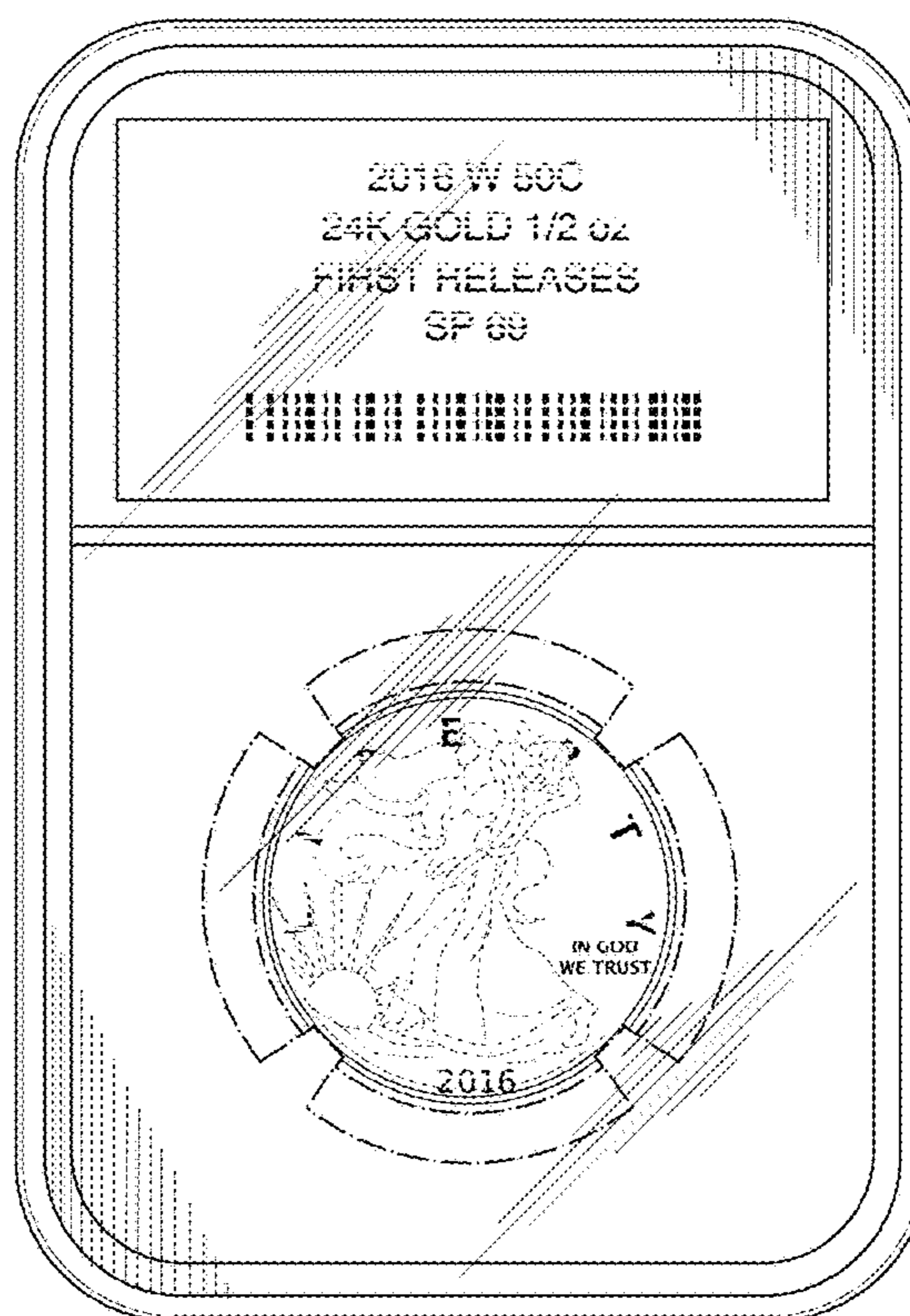


FIG. 4

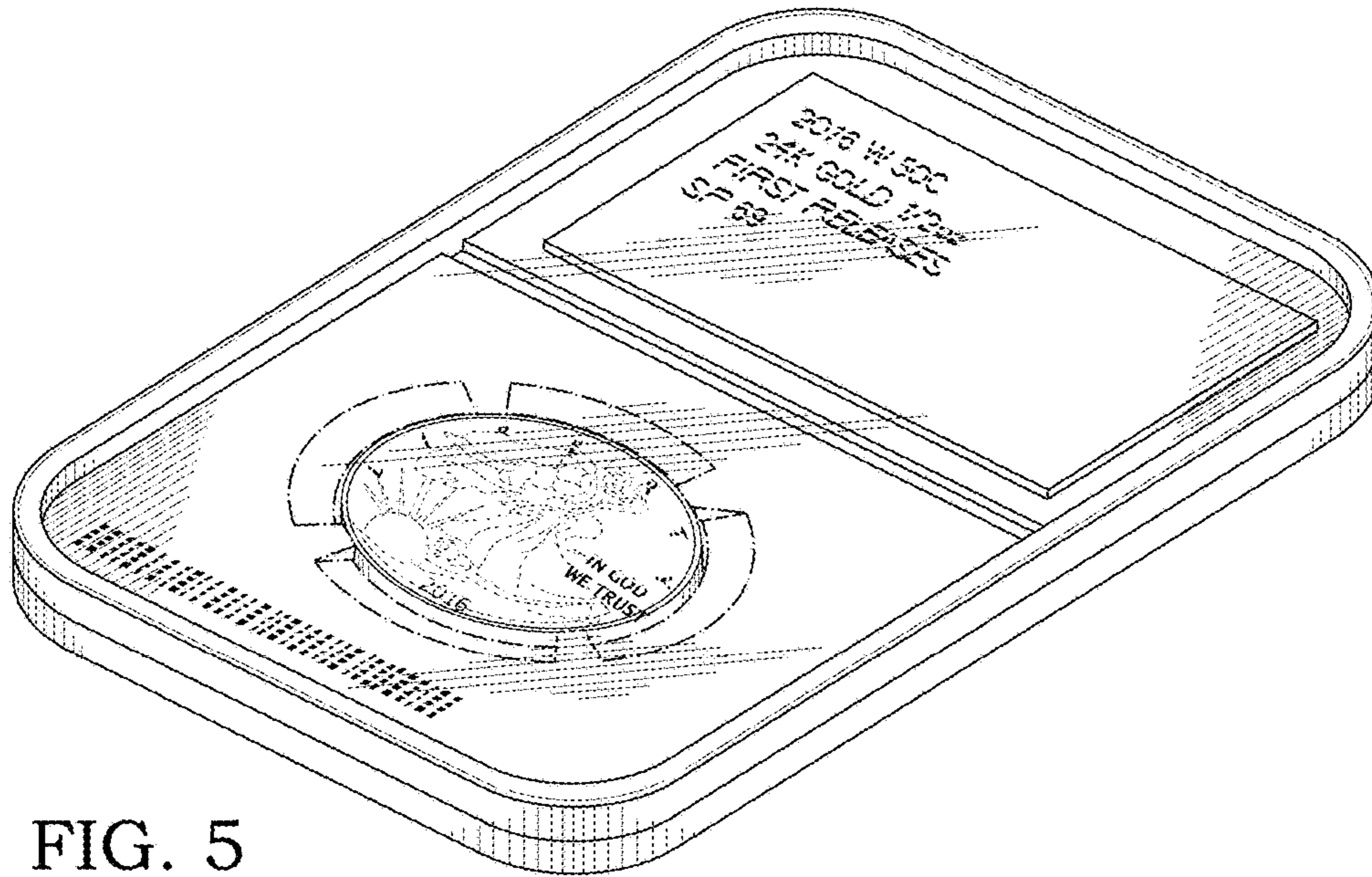


FIG. 5

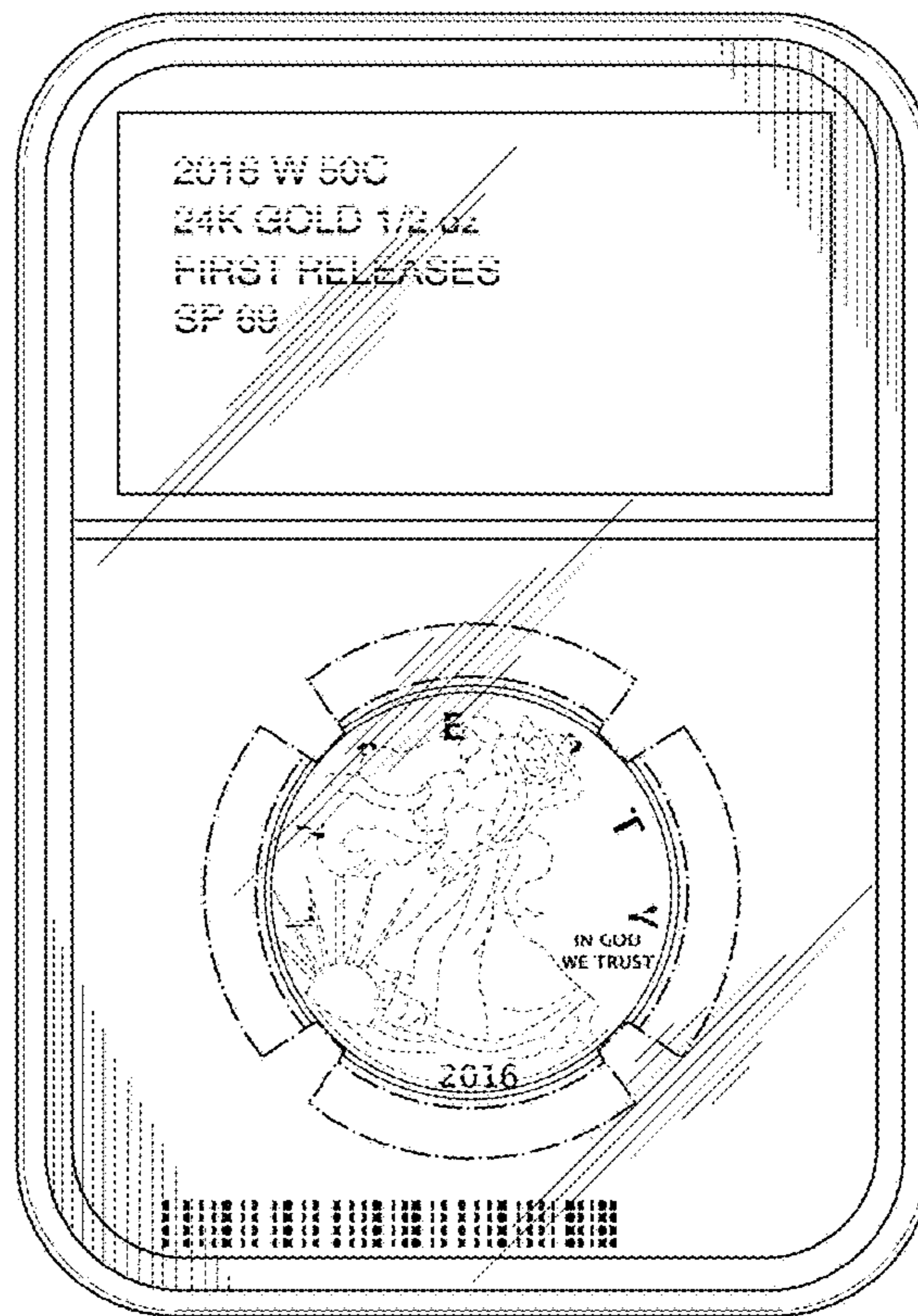


FIG. 6

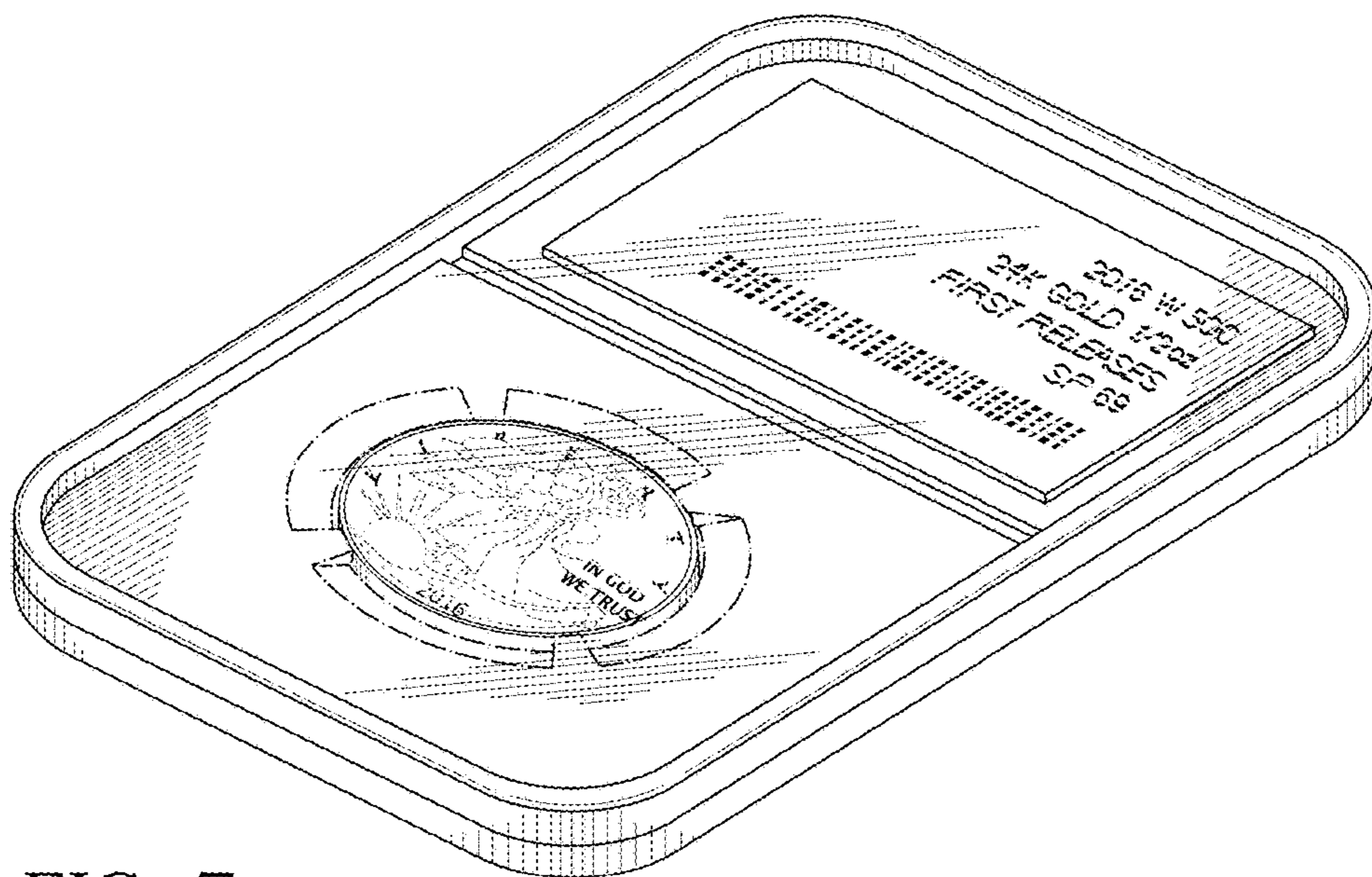


FIG. 7

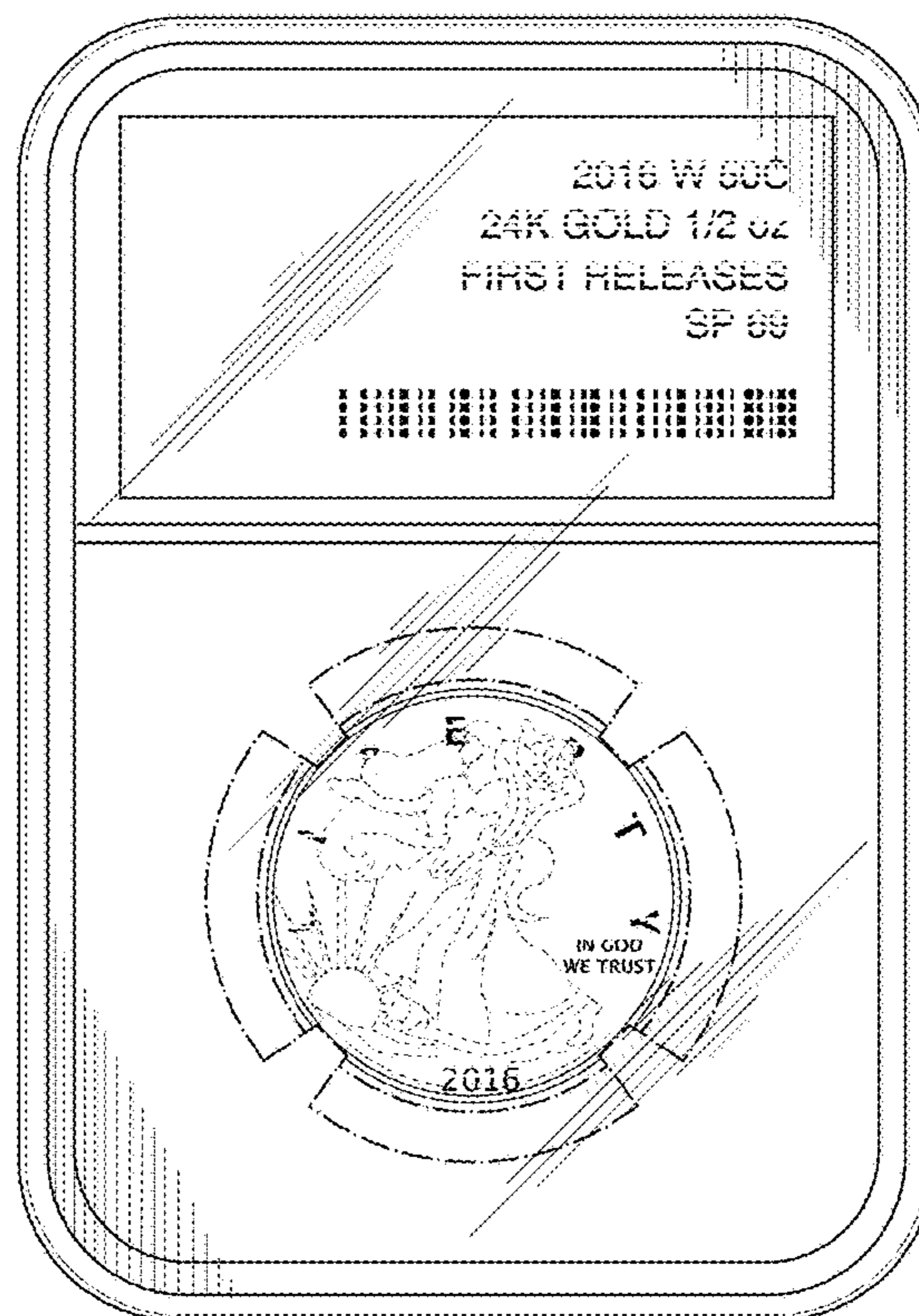


FIG. 8

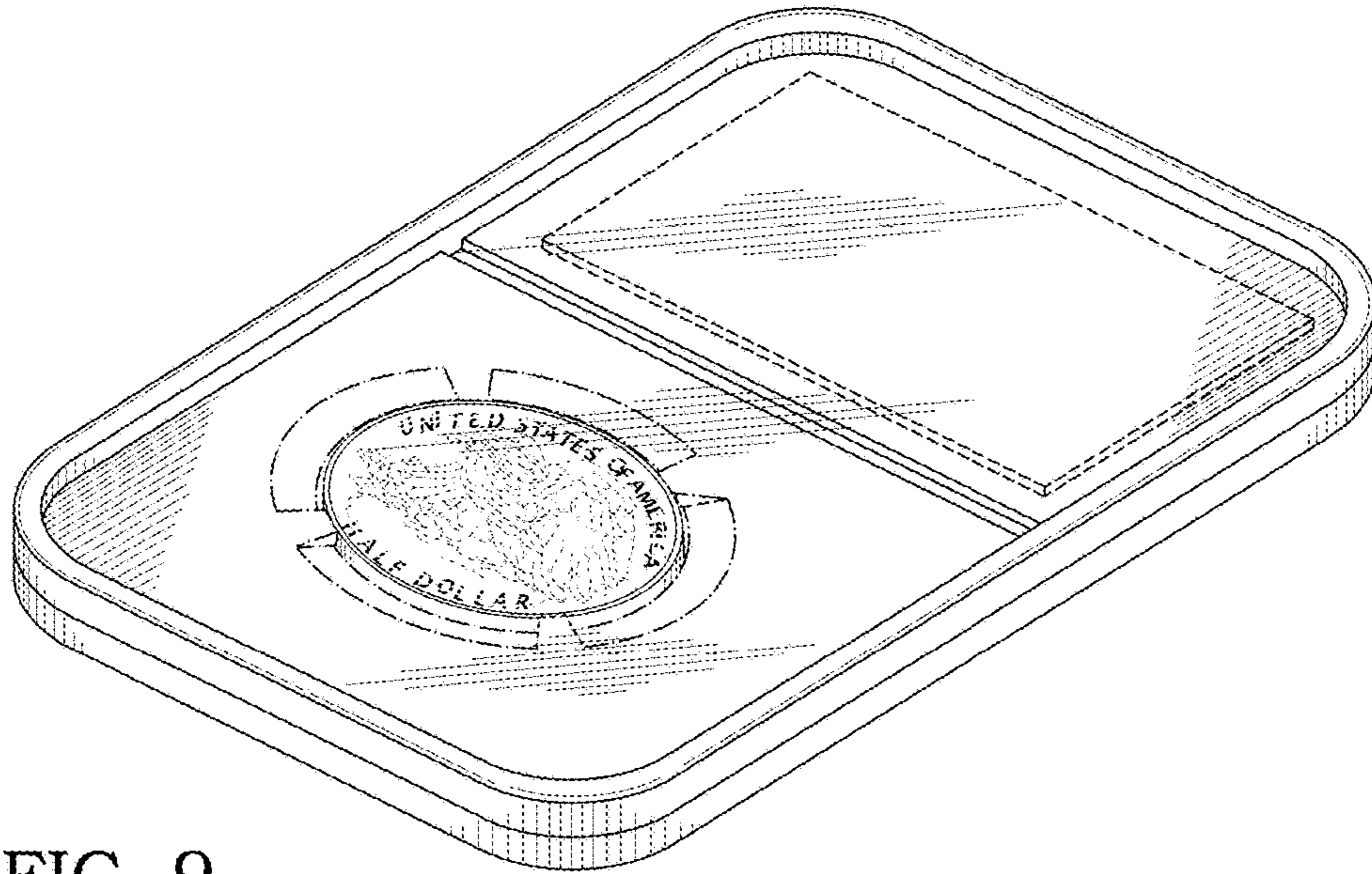


FIG. 9

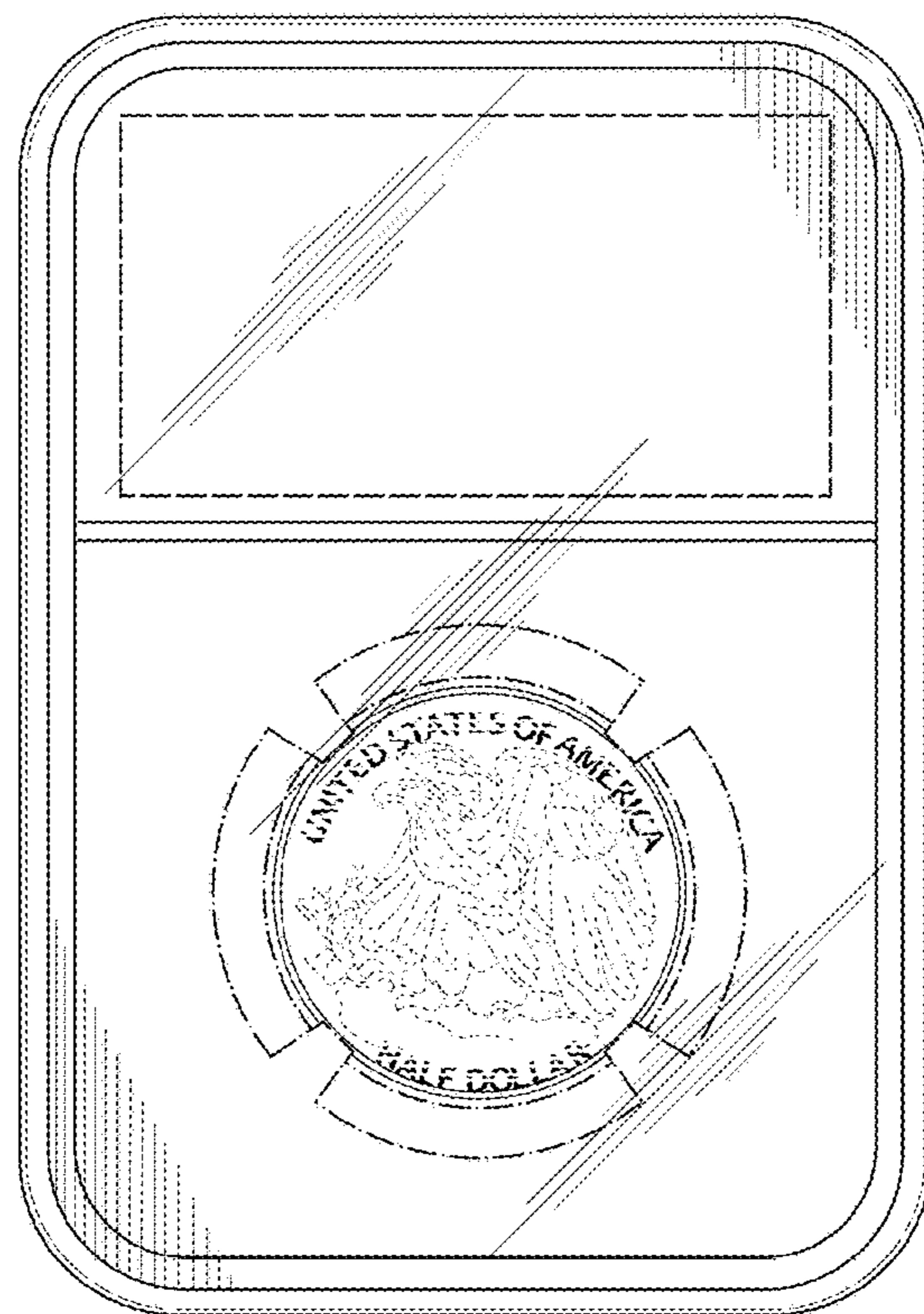


FIG. 10

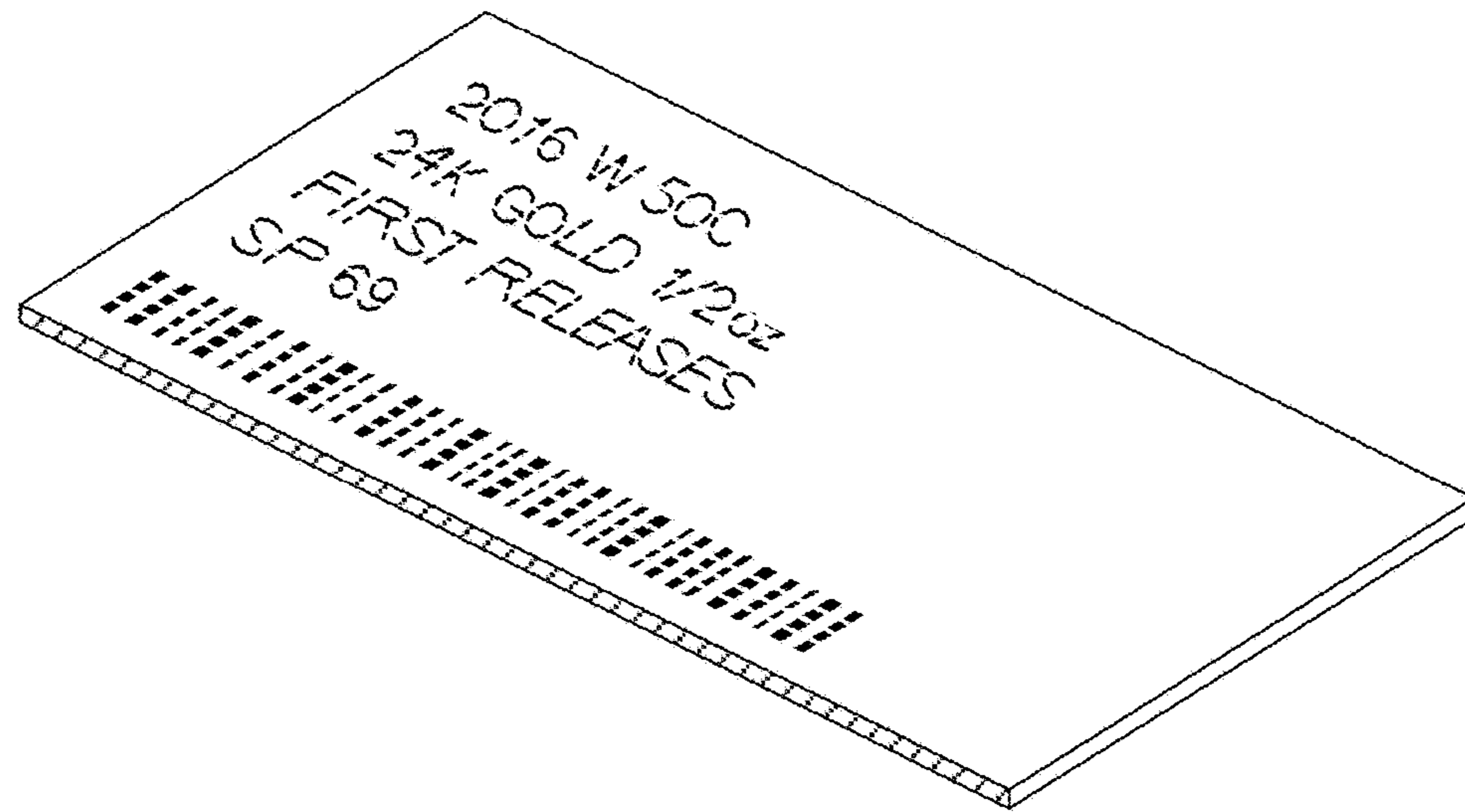


FIG. 11



FIG. 12



FIG. 13