



US00D831293S

(12) **United States Design Patent**
Thuma et al.

(10) **Patent No.:** **US D831,293 S**
(45) **Date of Patent:** **** Oct. 16, 2018**

(54) **HOUSEKEEPING CART**

(71) Applicant: **Suncast Technologies, LLC**, Palm Beach Gardens, FL (US)

(72) Inventors: **Michael Thuma**, La Grange, IL (US);
Michael R. Vogler, Oswego, IL (US)

(73) Assignee: **Suncast Technologies, LLC**, Palm Beach Gardens, FL (US)

(**) Term: **15 Years**

(21) Appl. No.: **29/592,548**

(22) Filed: **Jan. 31, 2017**

(51) **LOC (11) Cl.** **12-02**

(52) **U.S. Cl.**
USPC **D34/21**

(58) **Field of Classification Search**
USPC D34/12, 14, 16, 17, 19, 20, 21, 23, 25,
D34/26, 27; 280/651, 47.34, 47.19,
280/47.35, 47.17, 654
CPC B62B 3/02; B62B 3/005; B62B 3/04
See application file for complete search history.

(56) **References Cited**

U.S. PATENT DOCUMENTS

D302,064 S * 7/1989 Delmerico D34/20
D425,279 S * 5/2000 Houry D34/20

D464,185 S * 10/2002 Olson D34/20
D474,570 S * 5/2003 Presnell D34/17
D485,037 S * 1/2004 Presnell D34/17
D572,424 S * 7/2008 Presnell D34/14
D575,473 S * 8/2008 Presnell D34/17
D697,284 S * 1/2014 Ho D34/12

* cited by examiner

Primary Examiner — Cynthia Ramirez

Assistant Examiner — Gino Colan

(74) *Attorney, Agent, or Firm* — McHale & Slavin, P.A.

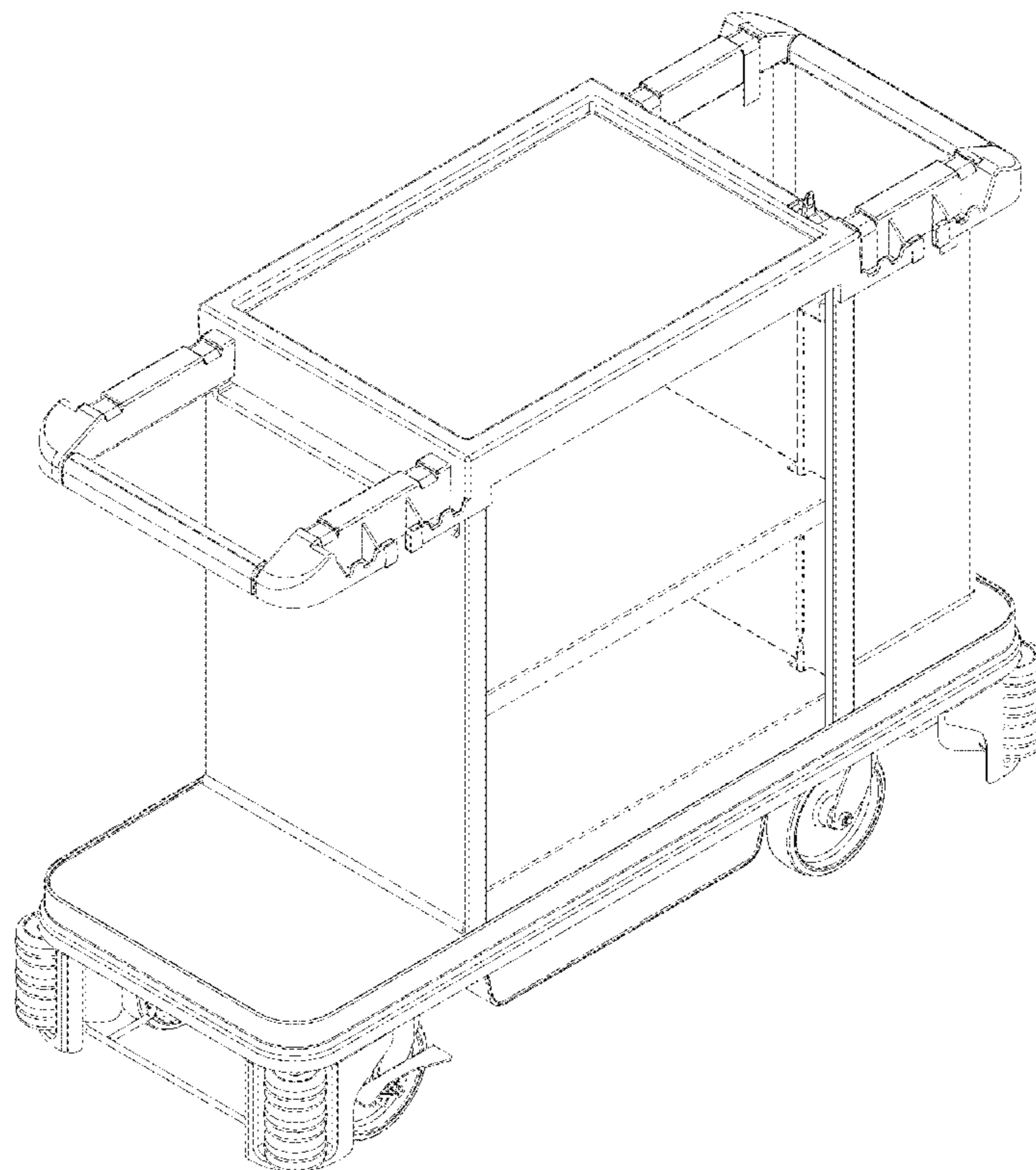
(57) **CLAIM**

The ornamental design for a housekeeping cart, as shown and described.

DESCRIPTION

FIG. 1 is a top left isometric view of a housekeeping cart showing our new design;
FIG. 2 is a left side view thereof;
FIG. 3 is a right side view thereof;
FIG. 4 is a front view thereof;
FIG. 5 is a rear view thereof;
FIG. 6 is a top view thereof; and,
FIG. 7 is a top right isometric view thereof.
The broken lines shown in the figures are included for the purpose of illustrating portions of the housekeeping cart and form no part of the claimed design.

1 Claim, 7 Drawing Sheets



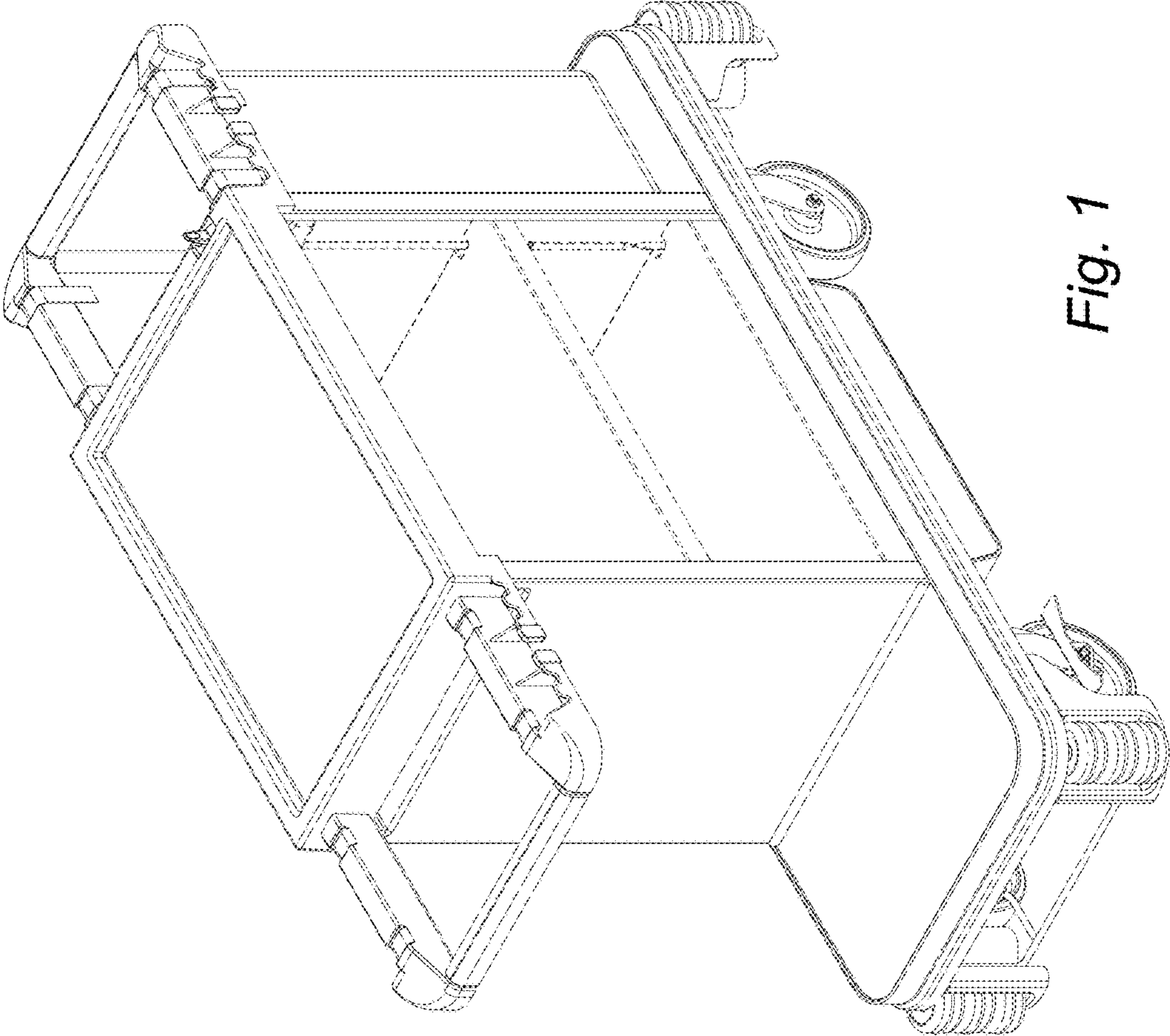


Fig. 1

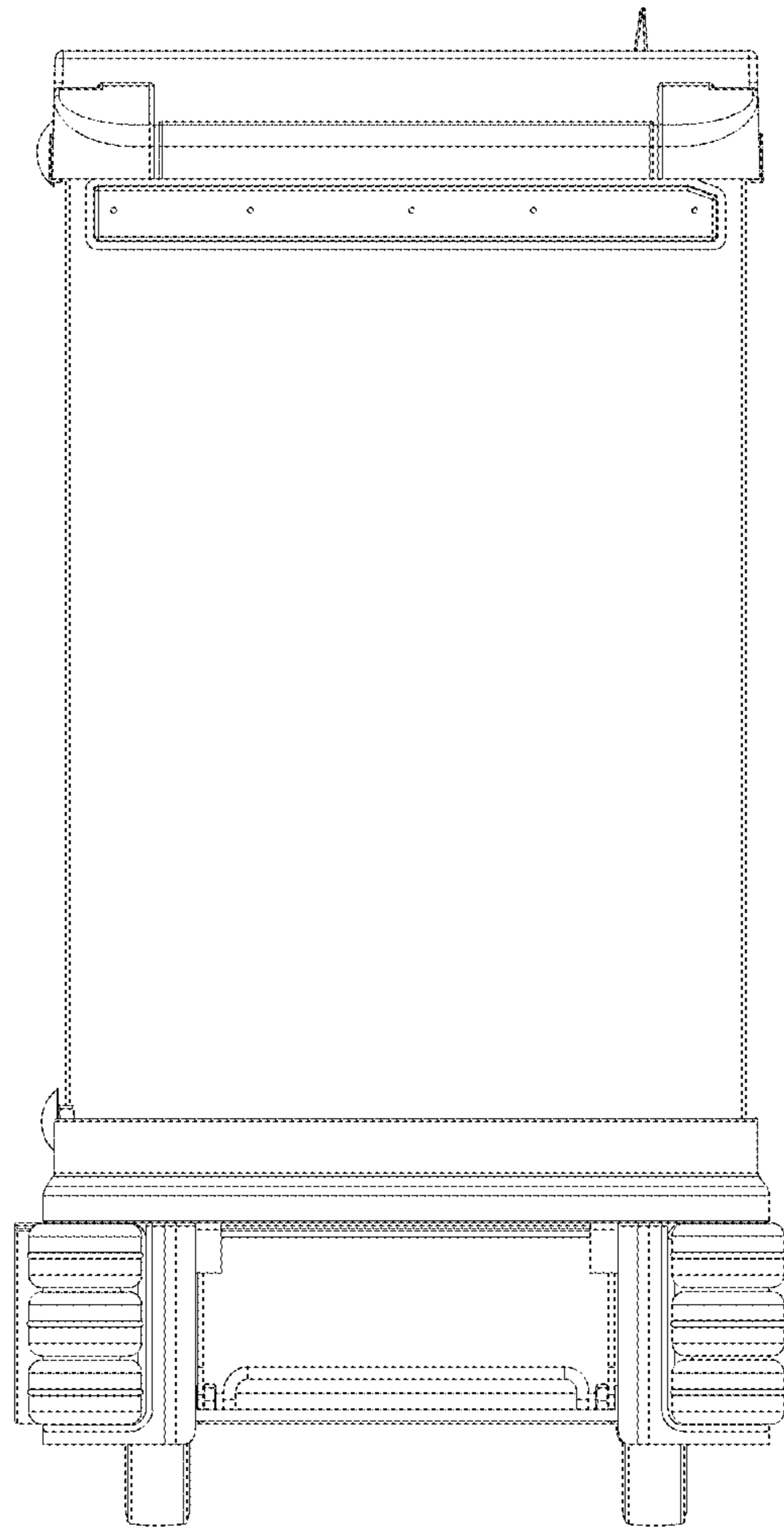


Fig. 2

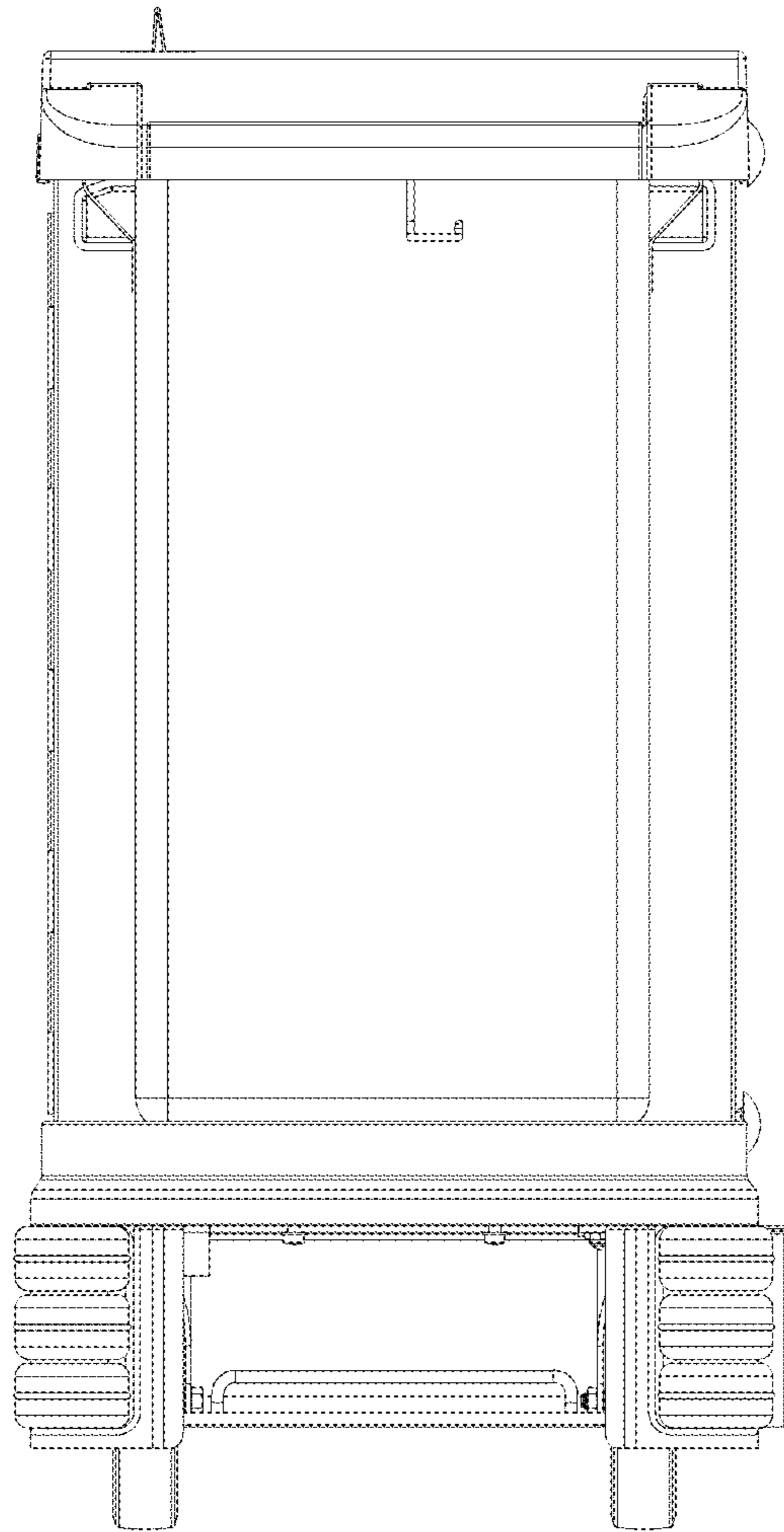


Fig. 3

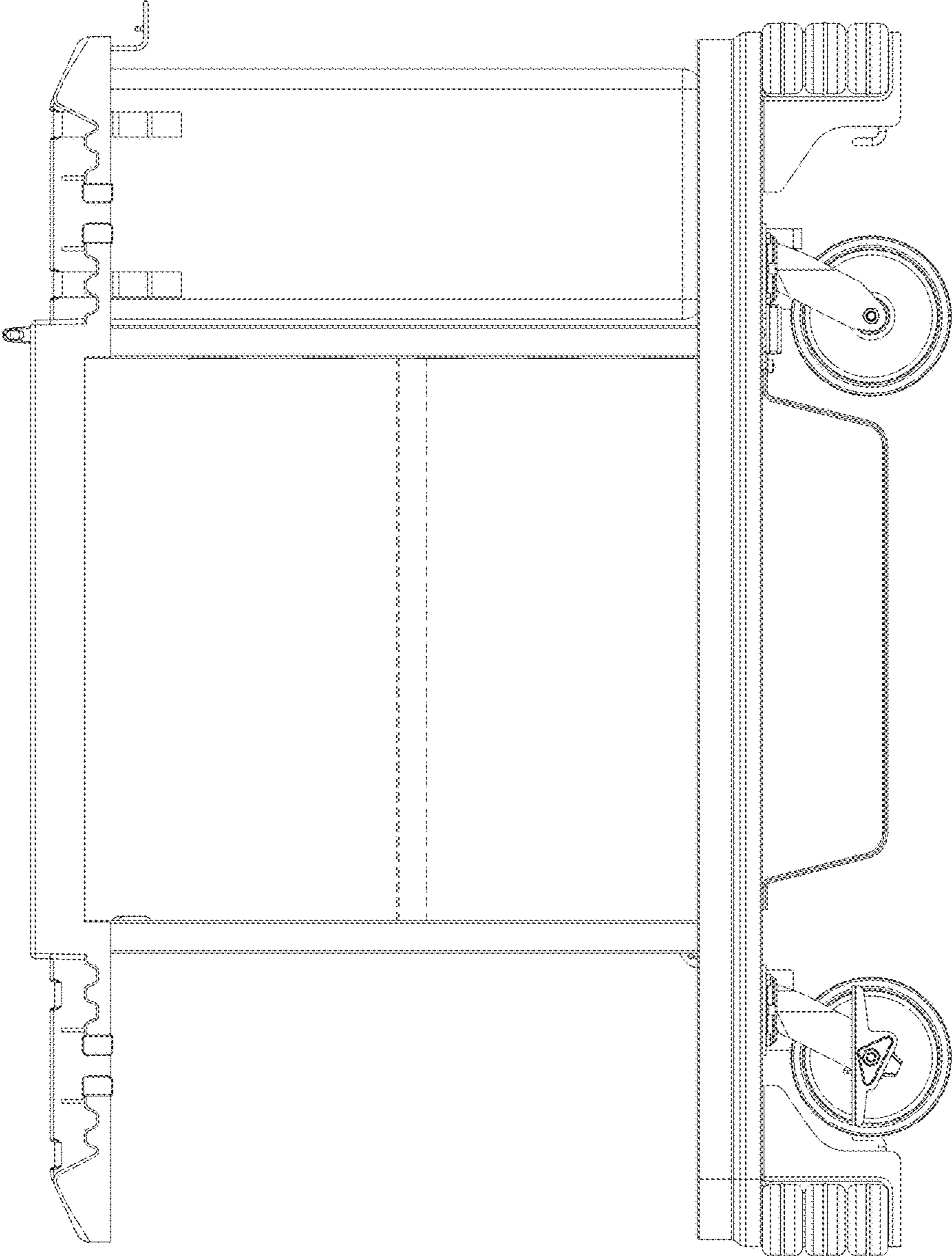


Fig. 4

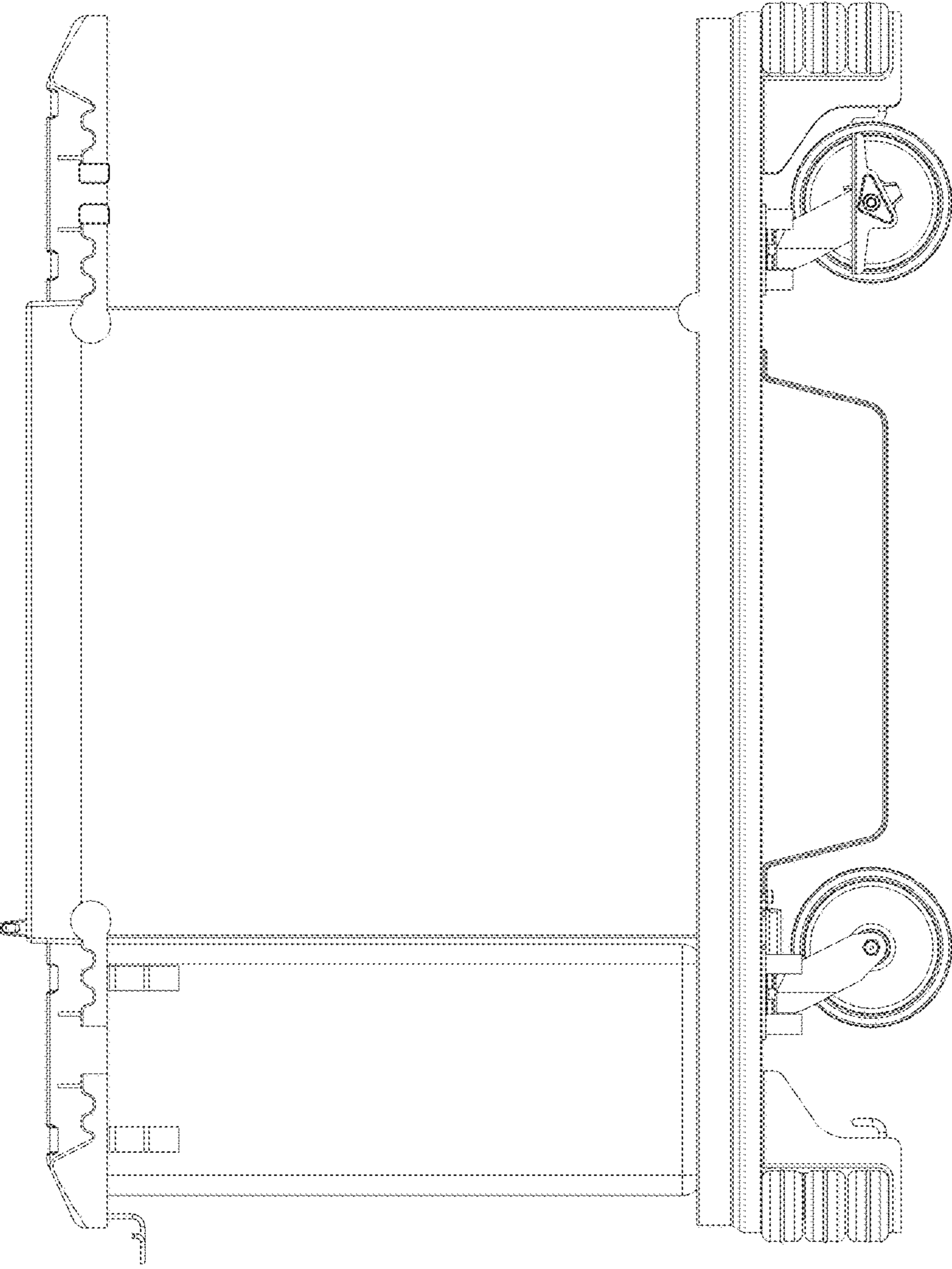


Fig. 5

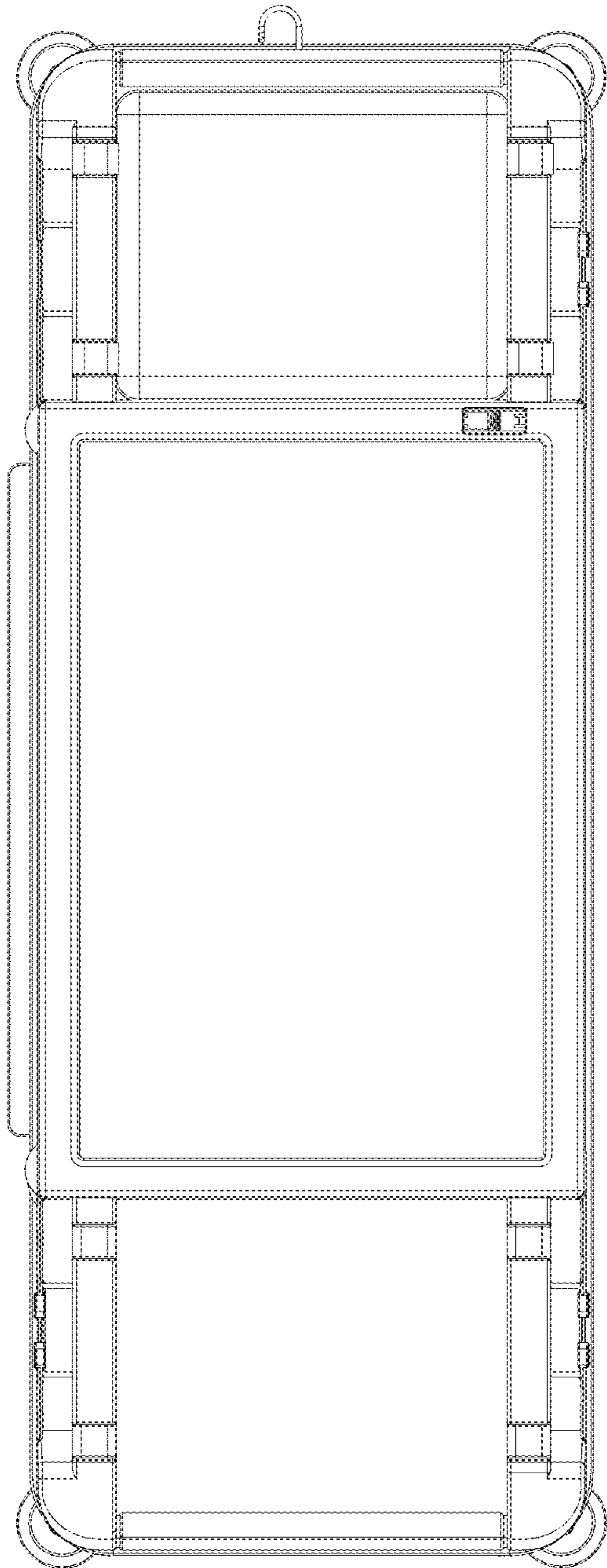


Fig. 6

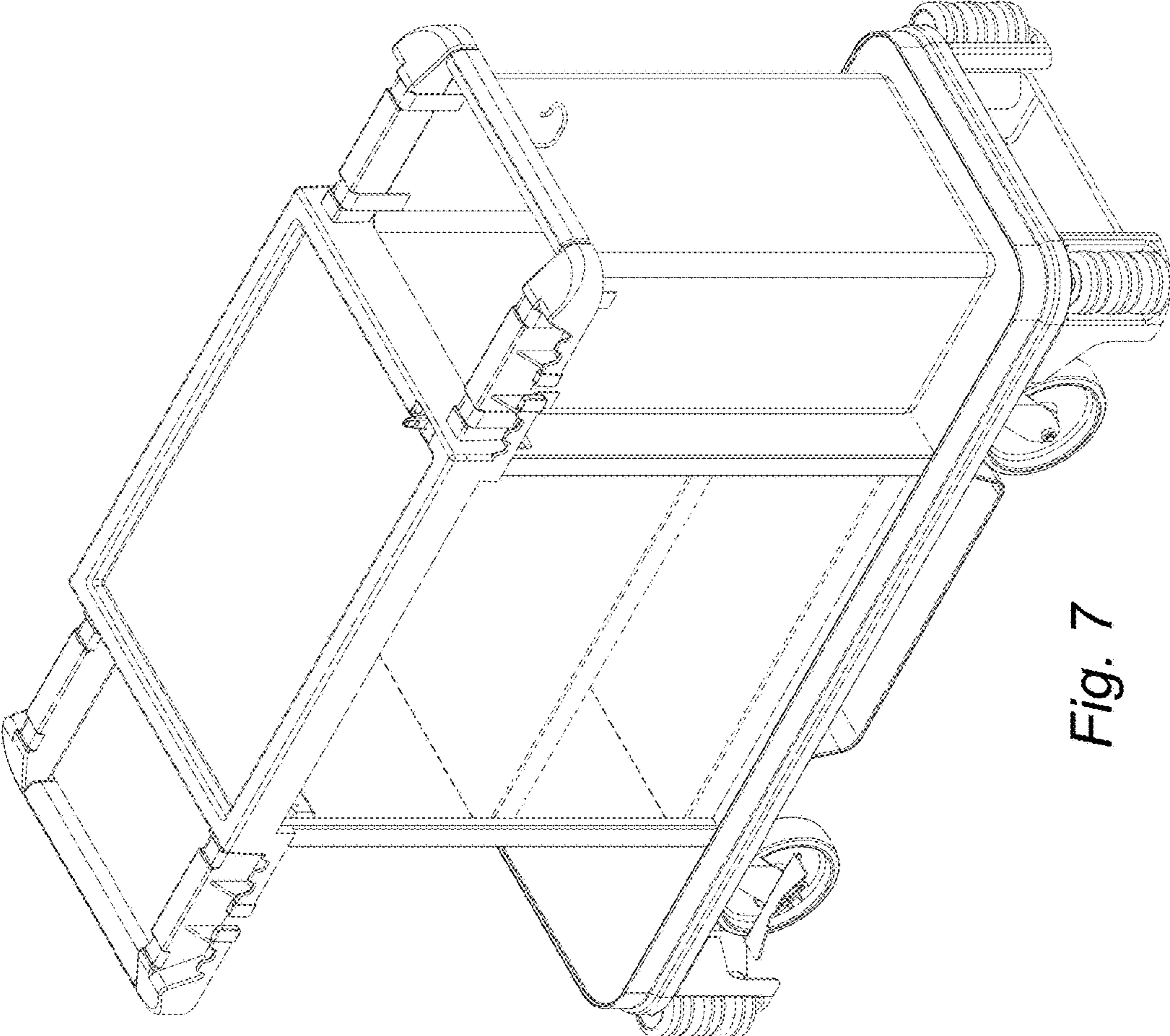


Fig. 7