



US00D831292S

(12) **United States Design Patent** (10) **Patent No.:** **US D831,292 S**
Thuma et al. (45) **Date of Patent:** **** Oct. 16, 2018**

- (54) **WHEELED CART**
- (71) Applicant: **Suncast Technologies, LLC**, Palm Beach Gardens, FL (US)
- (72) Inventors: **Michael Thuma**, La Grange, IL (US); **Torrence Anderson**, Overland Park, KS (US); **Robert G. Kopp**, Elburn, IL (US); **Michael R. Vogler**, Oswego, IL (US)
- (73) Assignee: **Suncast Technologies, LLC**, Palm Beach Gardens, FL (US)
- (**) Term: **15 Years**
- (21) Appl. No.: **29/599,664**
- (22) Filed: **Apr. 5, 2017**
- (51) **LOC (11) Cl.** **12-02**
- (52) **U.S. Cl.**
USPC **D34/12; D34/17**
- (58) **Field of Classification Search**
USPC D34/12-27; 280/47.35, 47.34, 33.991
CPC B62B 1/262; B62B 1/264; B62B 1/14; B62B 2202/404; B62B 2202/406; B62B 3/02; B62B 3/10; B62B 3/12; B62B 3/006; B62B 3/002
See application file for complete search history.

- 4,670,227 A * 6/1987 Smith A61L 11/00
422/297
- 5,735,367 A * 4/1998 Brubaker B60B 33/021
188/1.12
- 5,758,888 A * 6/1998 Burgan B62B 5/0083
220/908
- D618,419 S * 6/2010 Catron D34/12
- D710,064 S * 7/2014 Schumaker D34/17
- D758,688 S * 6/2016 Nai D34/12
- D809,730 S * 2/2018 Churchvara D34/21

* cited by examiner

Primary Examiner — Cynthia Ramirez

(74) *Attorney, Agent, or Firm* — McHale & Slavin, P.A.

(57) **CLAIM**

The ornamental design for a wheeled cart, as shown and described.

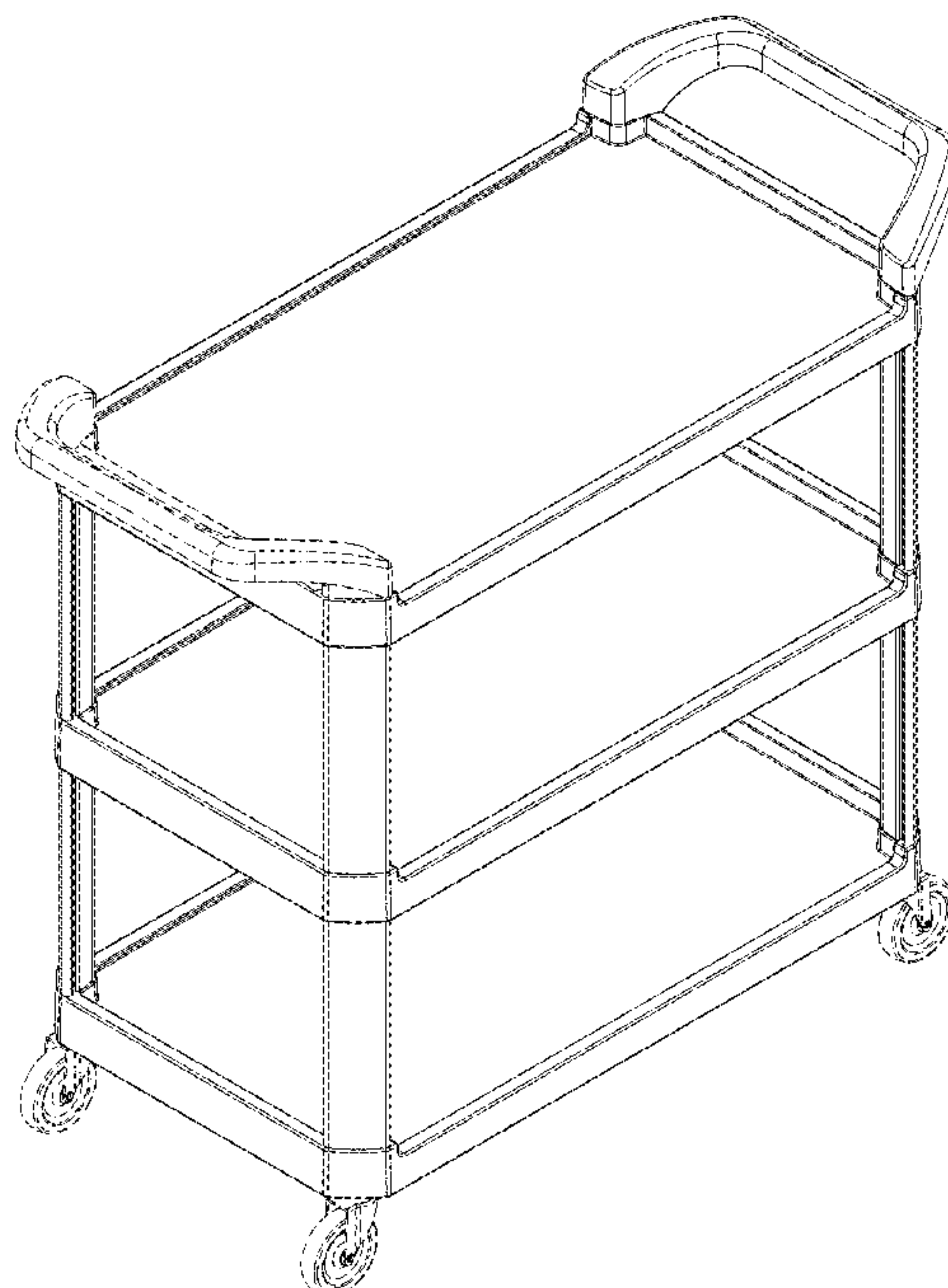
DESCRIPTION

FIG. 1 is a front top right isometric view of the wheeled cart of the present invention;
 FIG. 2 is a left side view thereof;
 FIG. 3 is a right side view thereof;
 FIG. 4 is a front view thereof;
 FIG. 5 is a rear view thereof;
 FIG. 6 is a top view thereof;
 FIG. 7 is a bottom view thereof;
 FIG. 8 is a top right rear isometric view thereof;
 FIG. 9 is a bottom right front isometric view thereof; and
 FIG. 10 is a bottom right rear view thereof.

The portions of the wheeled cart that are illustrated in broken lines form no part of the claim for the wheeled cart.

1 Claim, 10 Drawing Sheets

- (56) **References Cited**
- U.S. PATENT DOCUMENTS
- 2,507,732 A * 5/1950 Morgan B62B 3/02
280/47.34
- 3,137,250 A * 6/1964 Hutchinson B62B 3/002
108/156



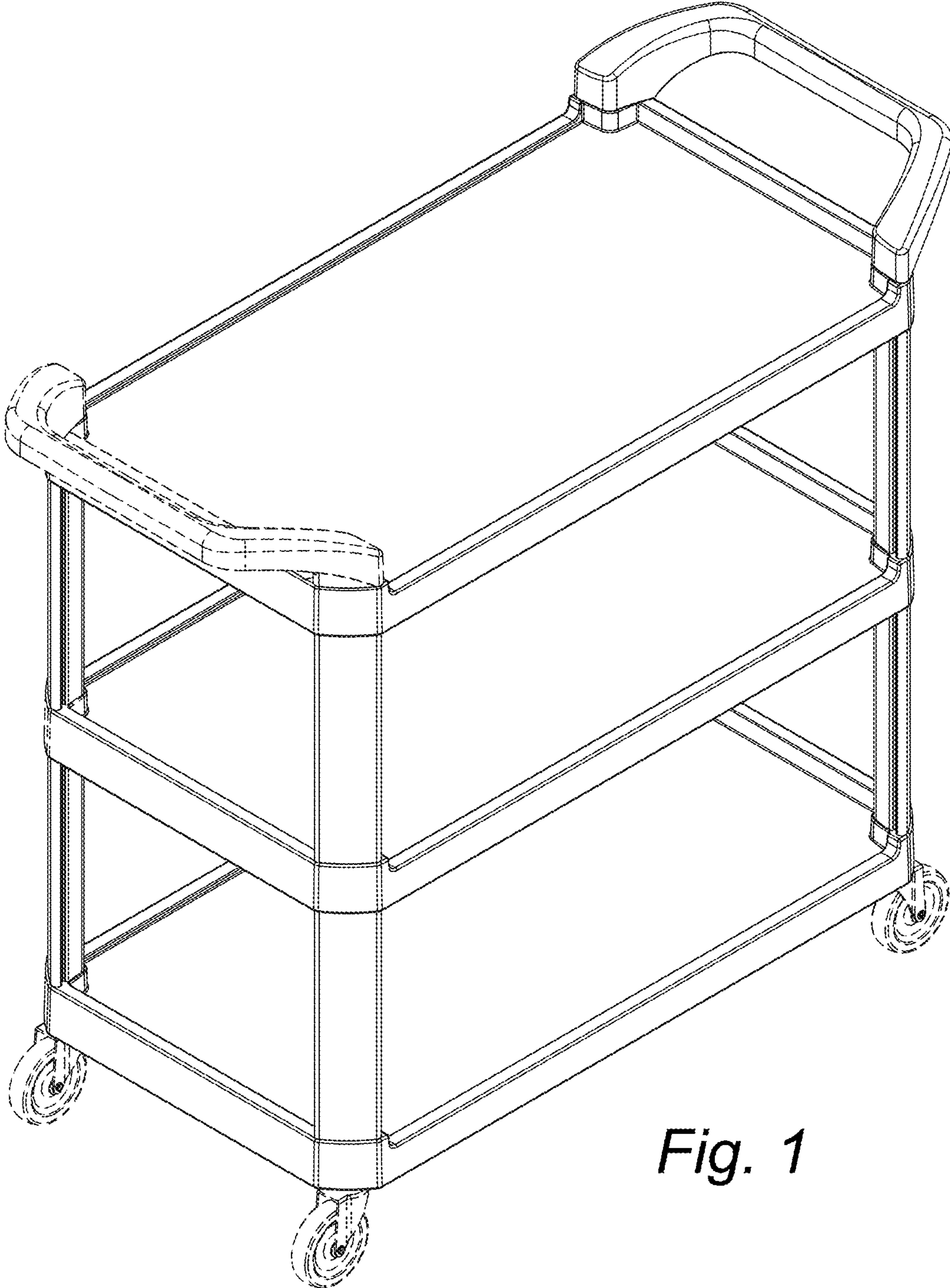


Fig. 1

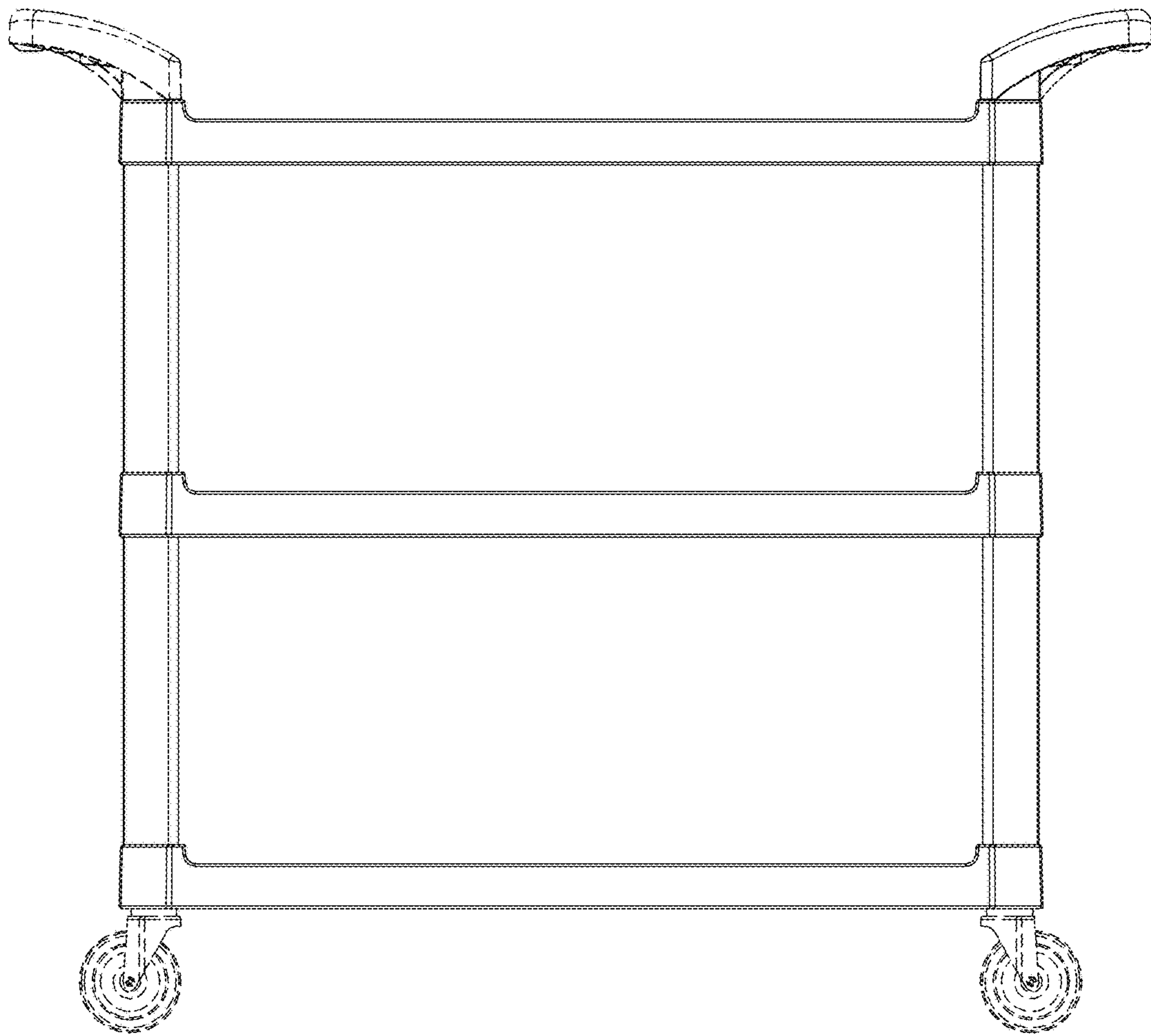


Fig. 2

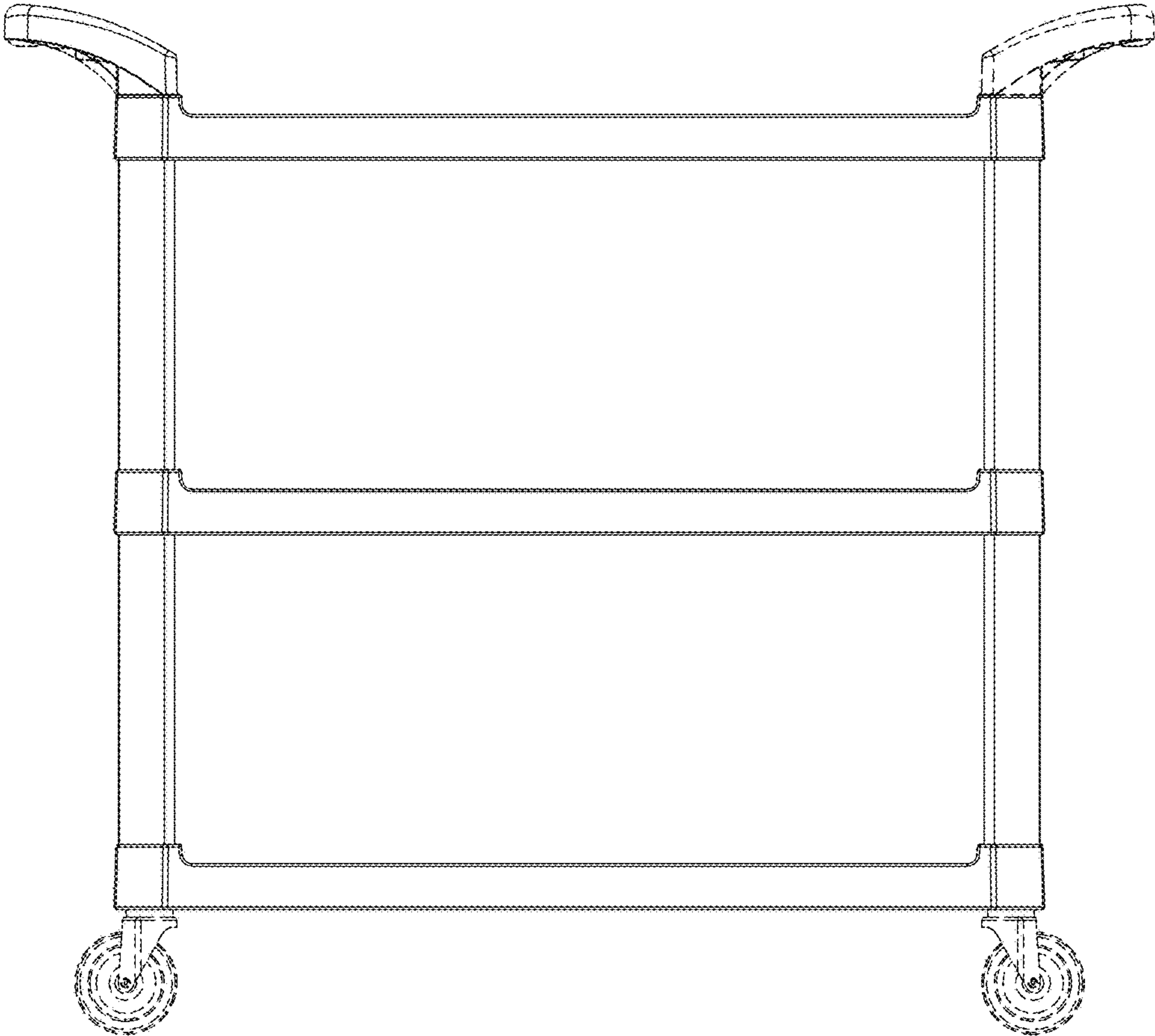


Fig. 3

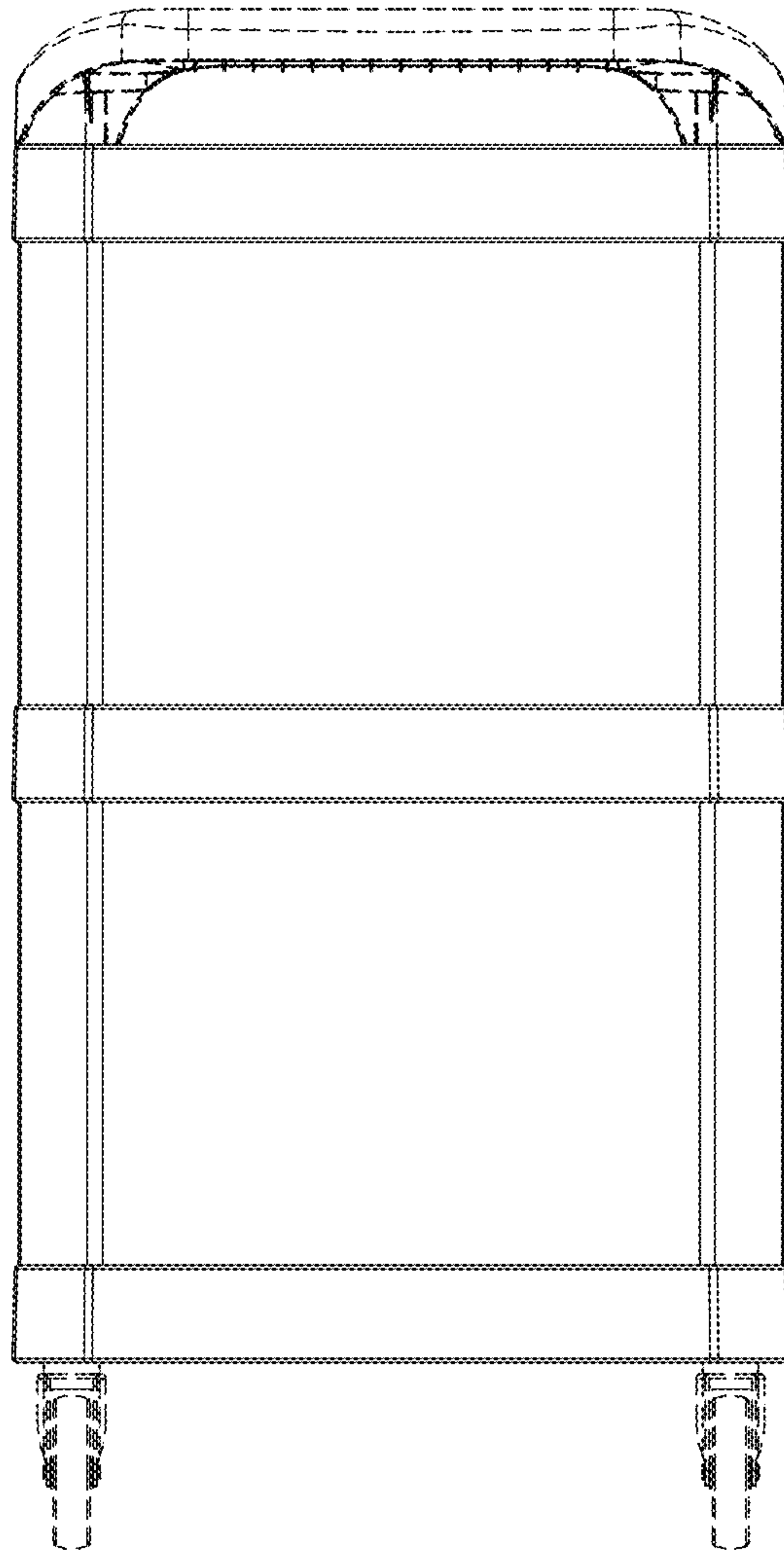


Fig. 4

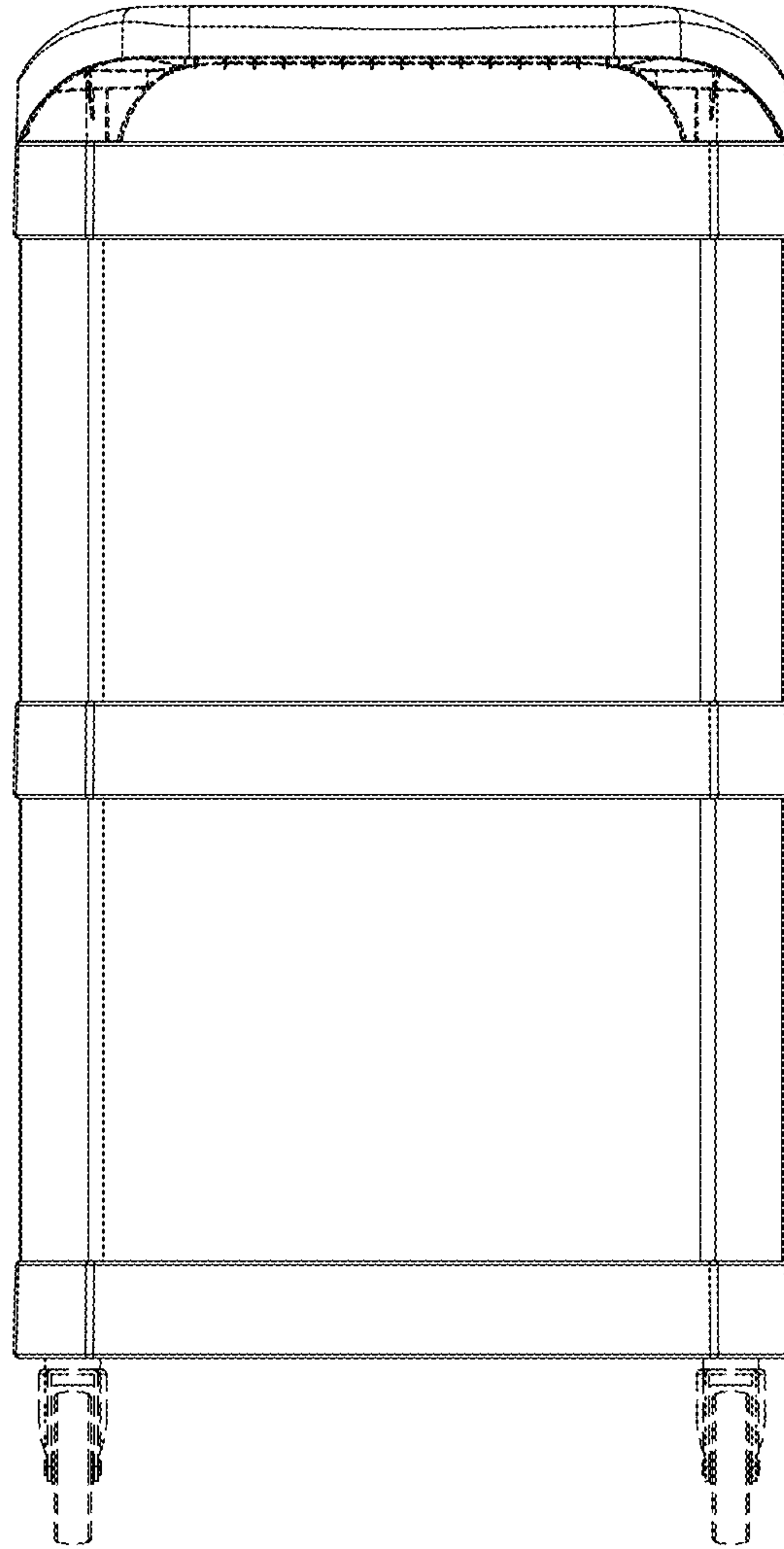


Fig. 5

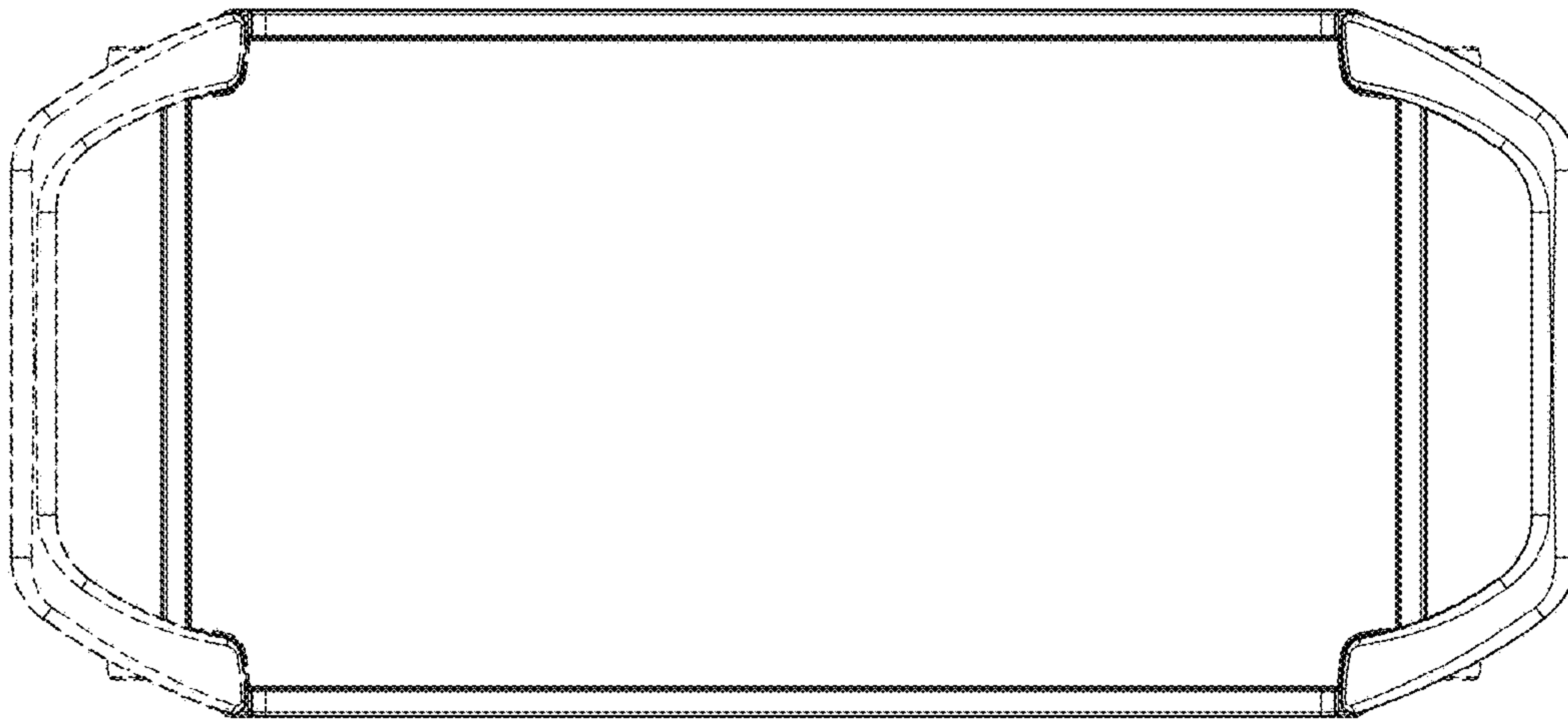


Fig. 6

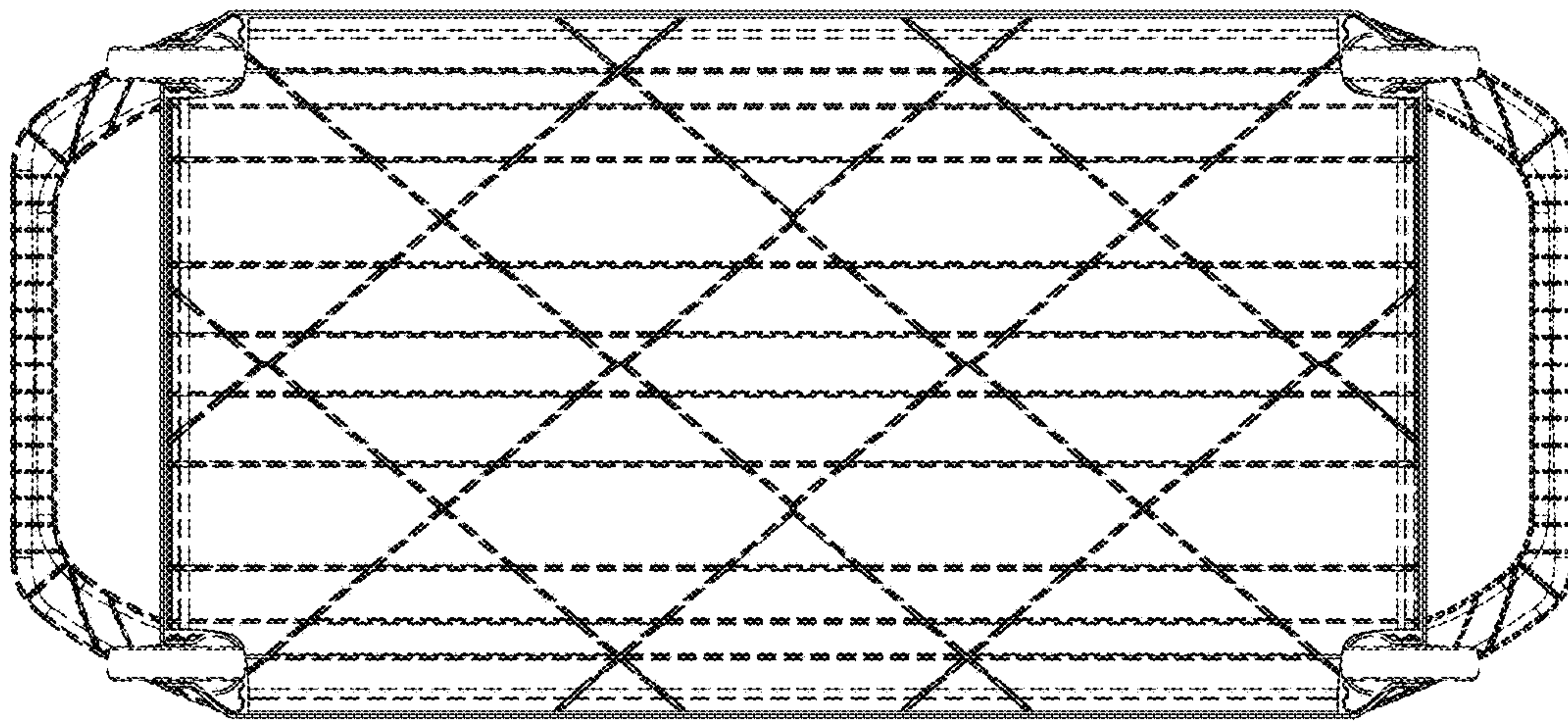


Fig. 7

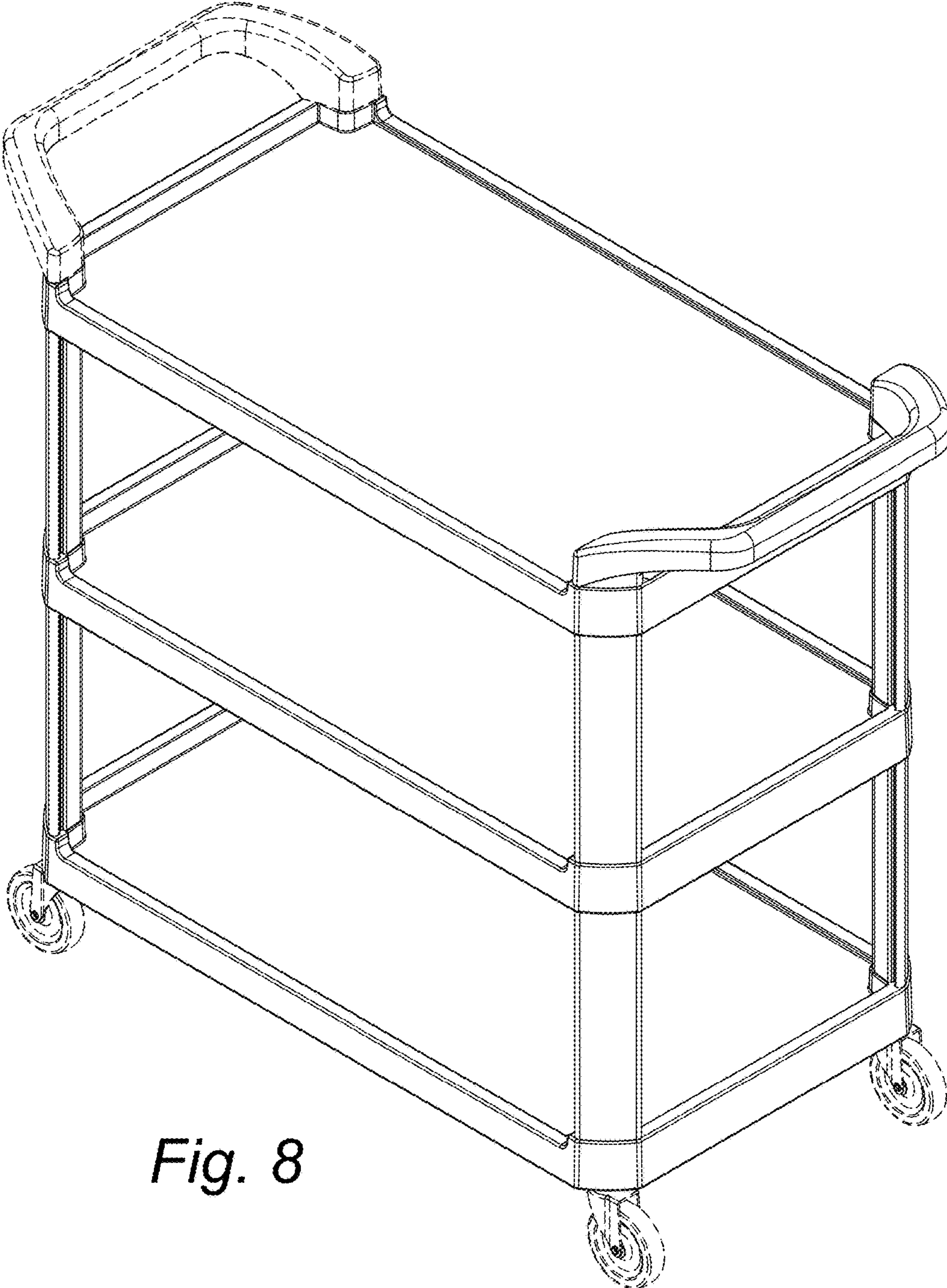


Fig. 8

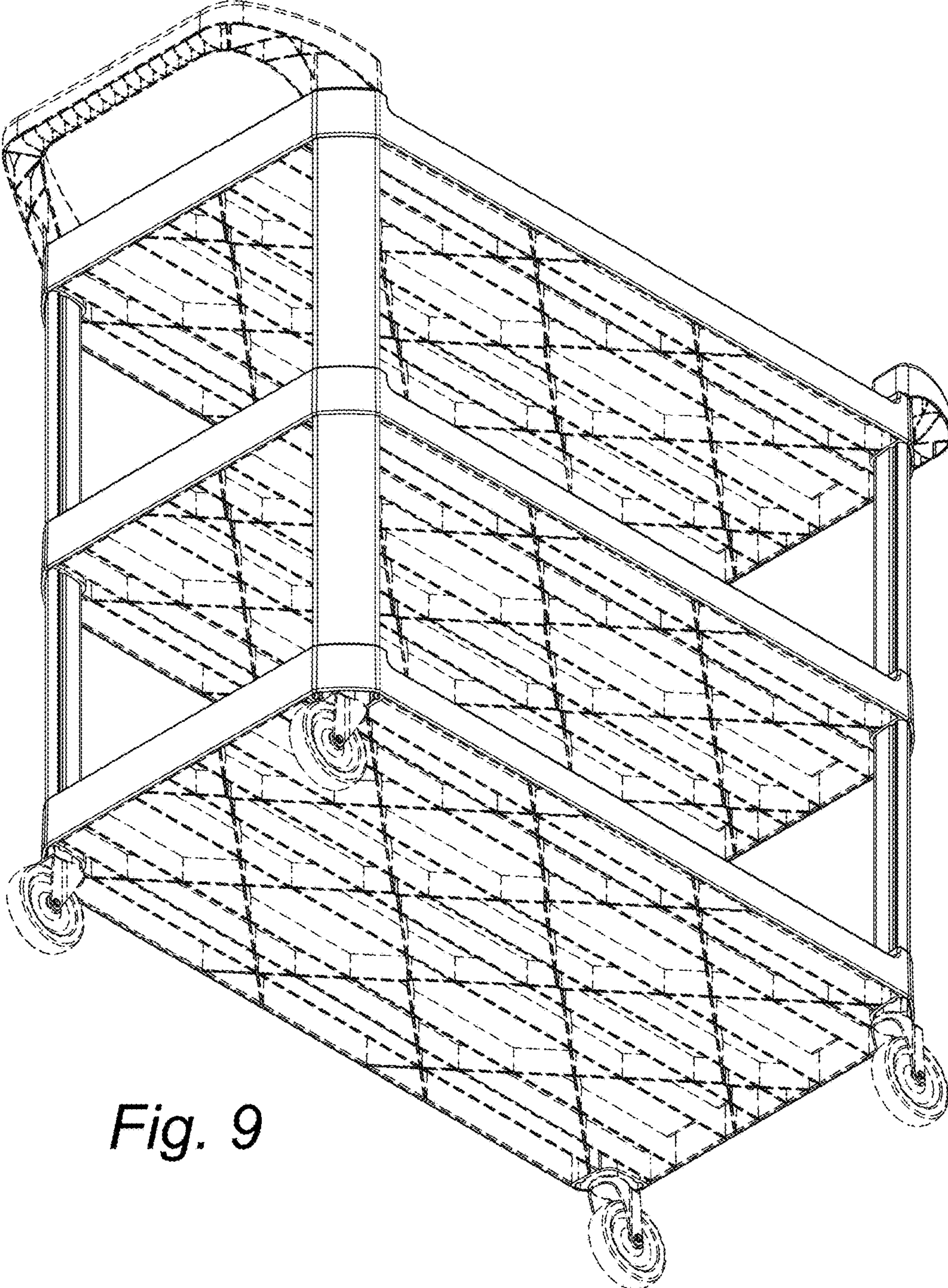


Fig. 9

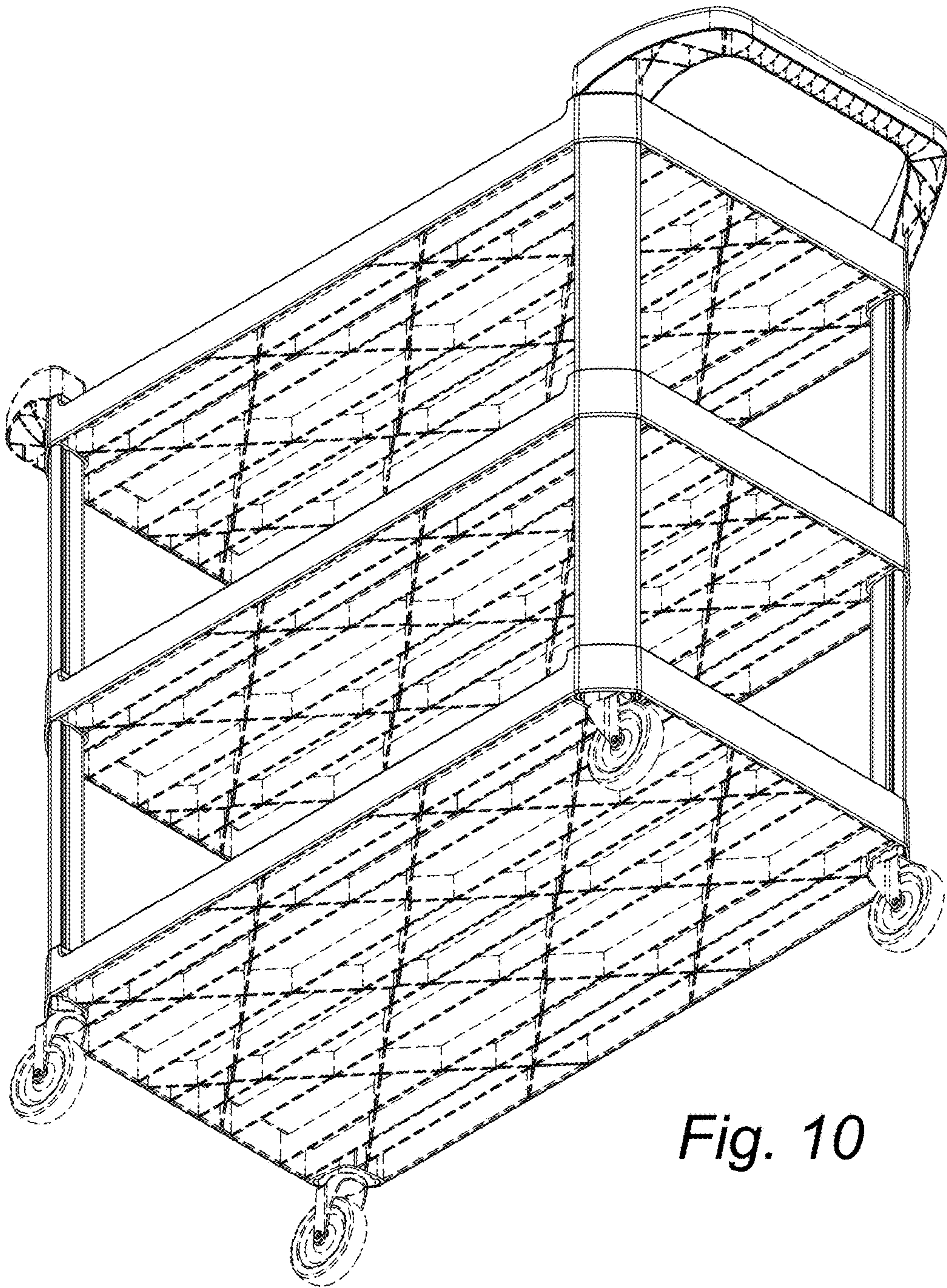


Fig. 10