



US00D831288S

(12) **United States Design Patent**
Thuma et al.

(10) **Patent No.:** **US D831,288 S**
(45) **Date of Patent:** **** Oct. 16, 2018**

(54) **TRASH CAN**

(71) Applicant: **Suncast Technologies, LLC**, Palm Beach Gardens, FL (US)

(72) Inventors: **Michael Thuma**, La Grange, IL (US); **Torrence Anderson**, Overland Park, KS (US); **Trevor Whitehead**, Elgin, IL (US); **Michael R. Vogler**, Oswego, IL (US)

(73) Assignee: **Suncast Technologies, LLC**, Palm Beach Gardens, FL (US)

(**) Term: **15 Years**

(21) Appl. No.: **29/619,382**

(22) Filed: **Sep. 28, 2017**

(51) **LOC (11) Cl.** **09-09**

(52) **U.S. Cl.**
USPC **D34/1**

(58) **Field of Classification Search**
USPC D34/1-1.1, 3-11, 27, 19; D7/400, 602; D3/304, 320, 306; 220/908, 908.1, 909, 220/913
CPC B65F 1/1473; B62B 2202/028
See application file for complete search history.

(56) **References Cited**

U.S. PATENT DOCUMENTS

D342,815 S * 12/1993 Shafer D34/1
D356,411 S * 3/1995 Gingras D34/12

D361,191 S * 8/1995 Kowalski D34/16
D420,187 S * 2/2000 Houry D34/12
D467,052 S * 12/2002 Van Landingham, Jr. D34/1
D728,887 S * 5/2015 Kernen B65D 19/04
D34/1
D767,232 S * 9/2016 Blitzer D34/16
D794,894 S * 8/2017 Kopp D34/1

* cited by examiner

Primary Examiner — Cynthia Ramirez

Assistant Examiner — Gino Colan

(74) *Attorney, Agent, or Firm* — McHale & Slavin, P.A.

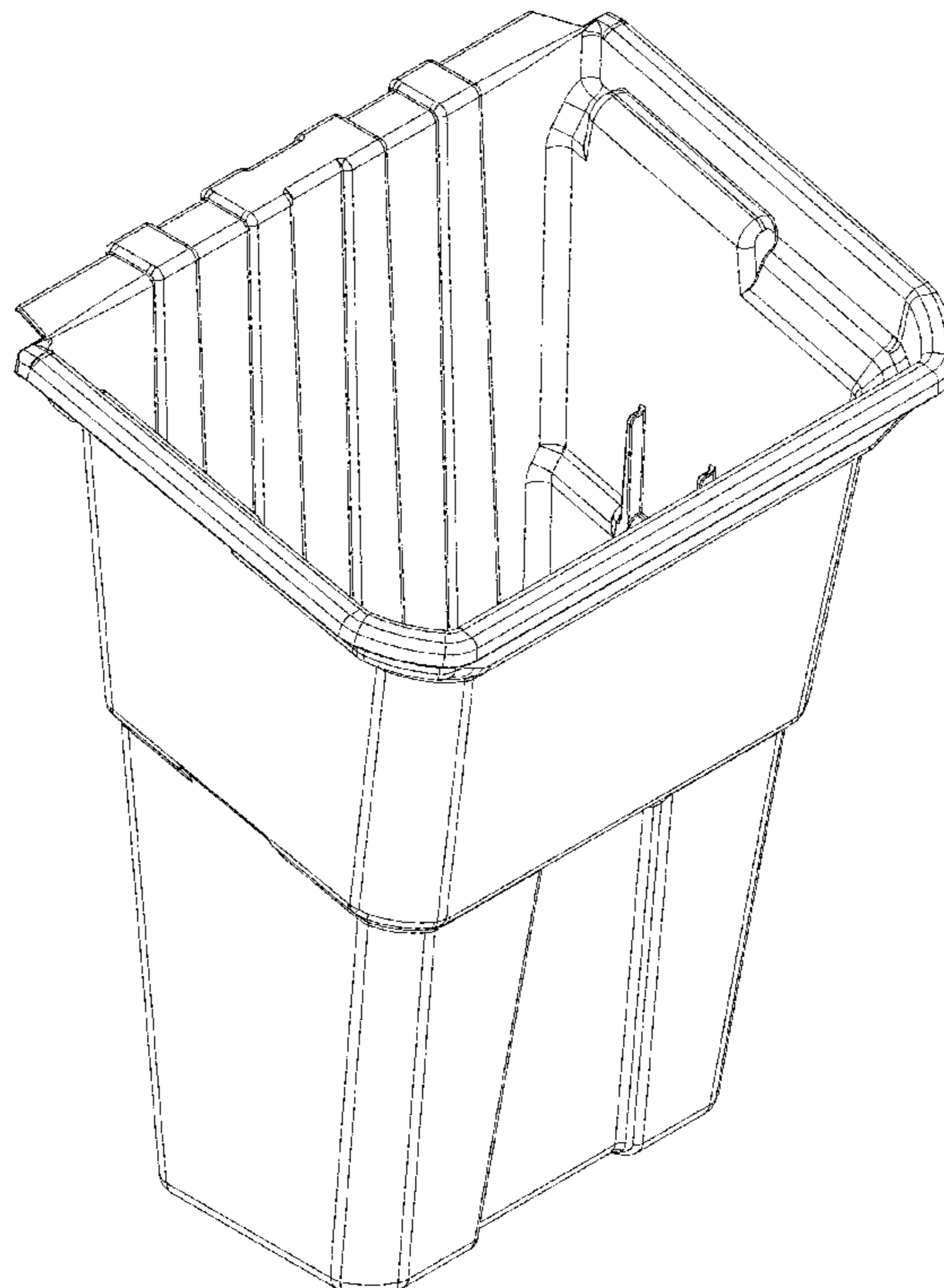
(57) **CLAIM**

The ornamental design for a trash can, as shown and described.

DESCRIPTION

FIG. 1 is a top front left perspective view of the trash can of the present invention;
FIG. 2 is a left side view thereof;
FIG. 3 is a right side view thereof;
FIG. 4 is a front view thereof;
FIG. 5 is a rear view thereof;
FIG. 6 is a top view thereof;
FIG. 7 is a bottom view thereof; and,
FIG. 8 is a bottom front right perspective view thereof.

1 Claim, 8 Drawing Sheets



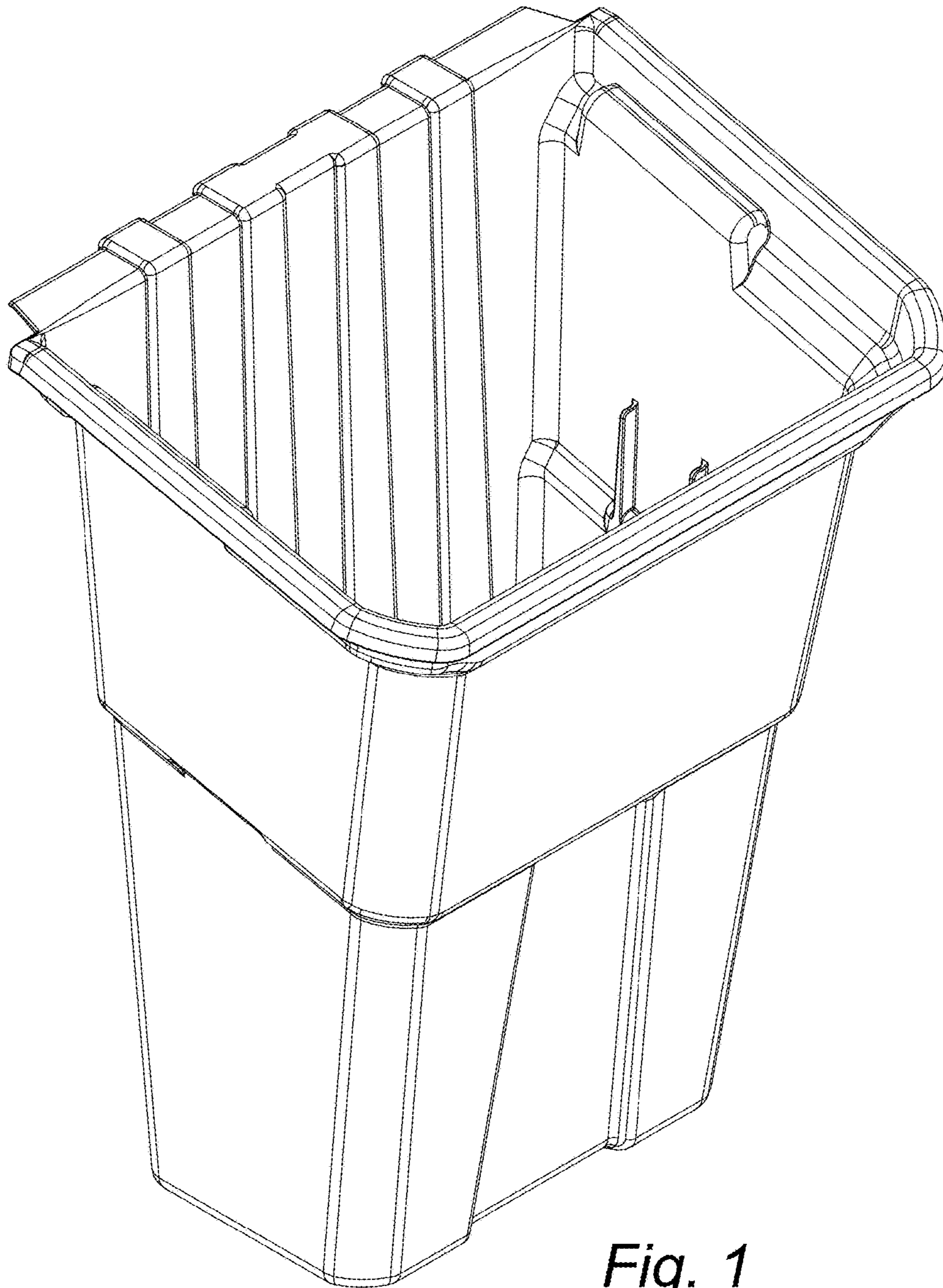


Fig. 1

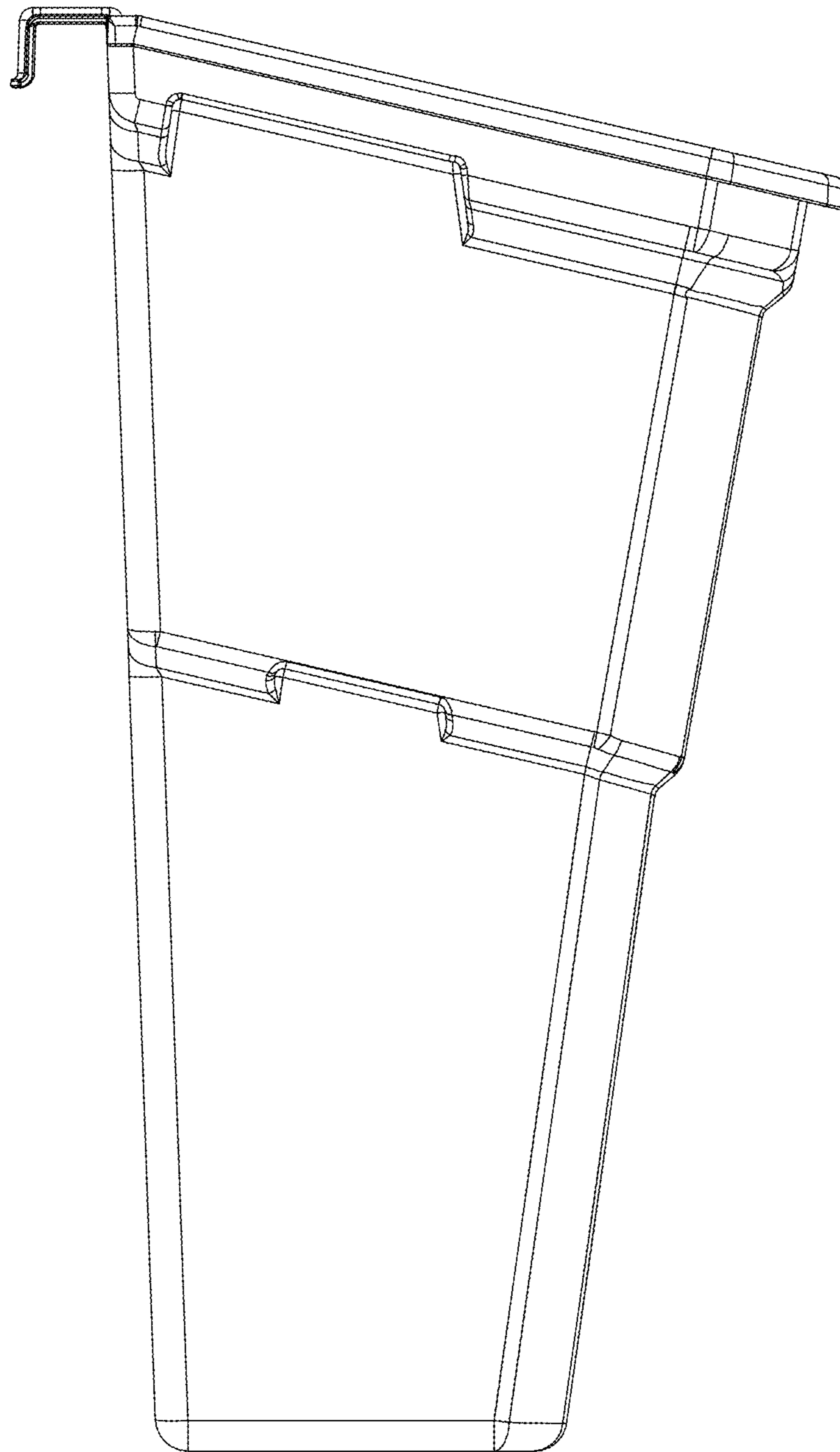


Fig. 2

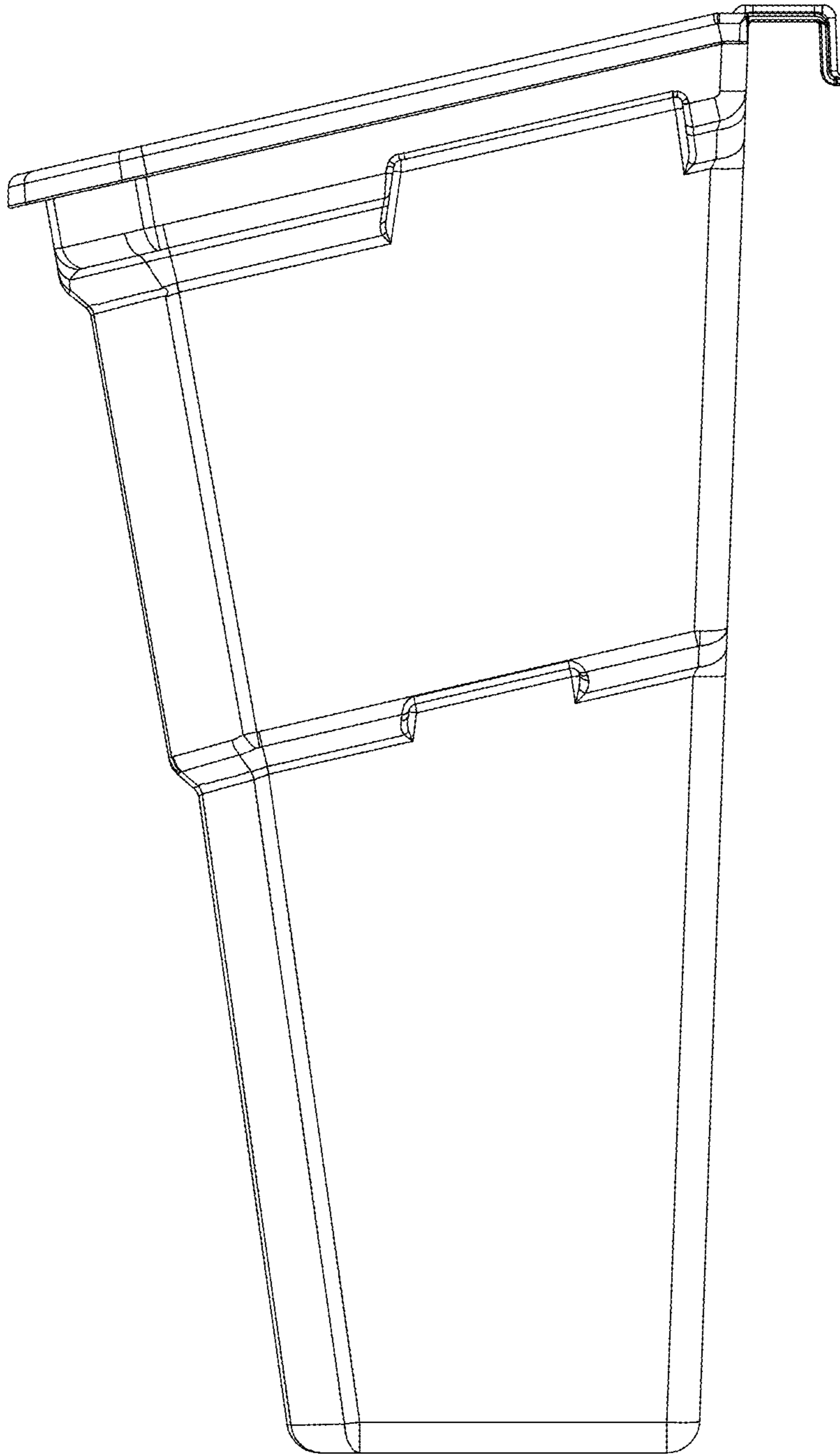


Fig. 3

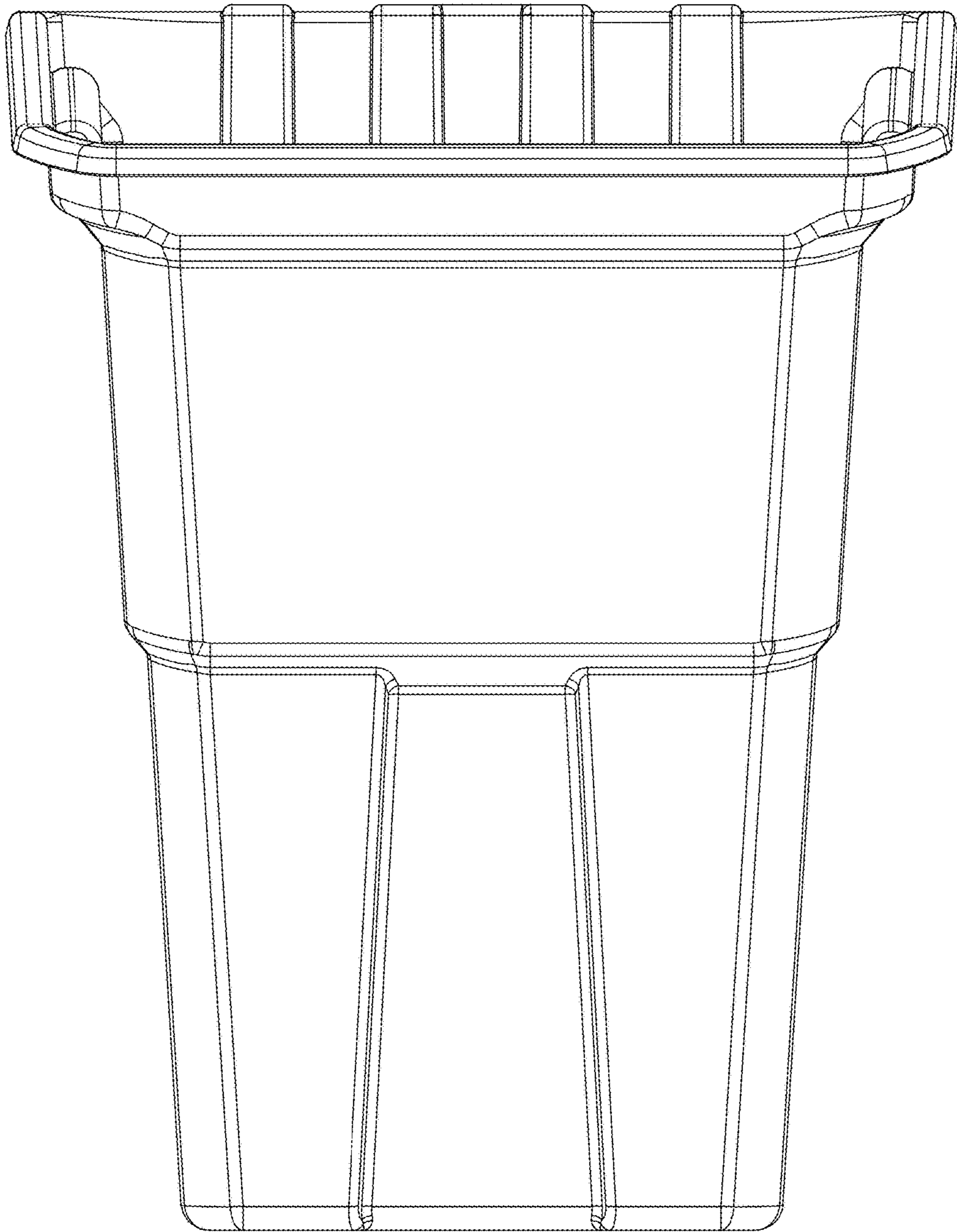


Fig. 4

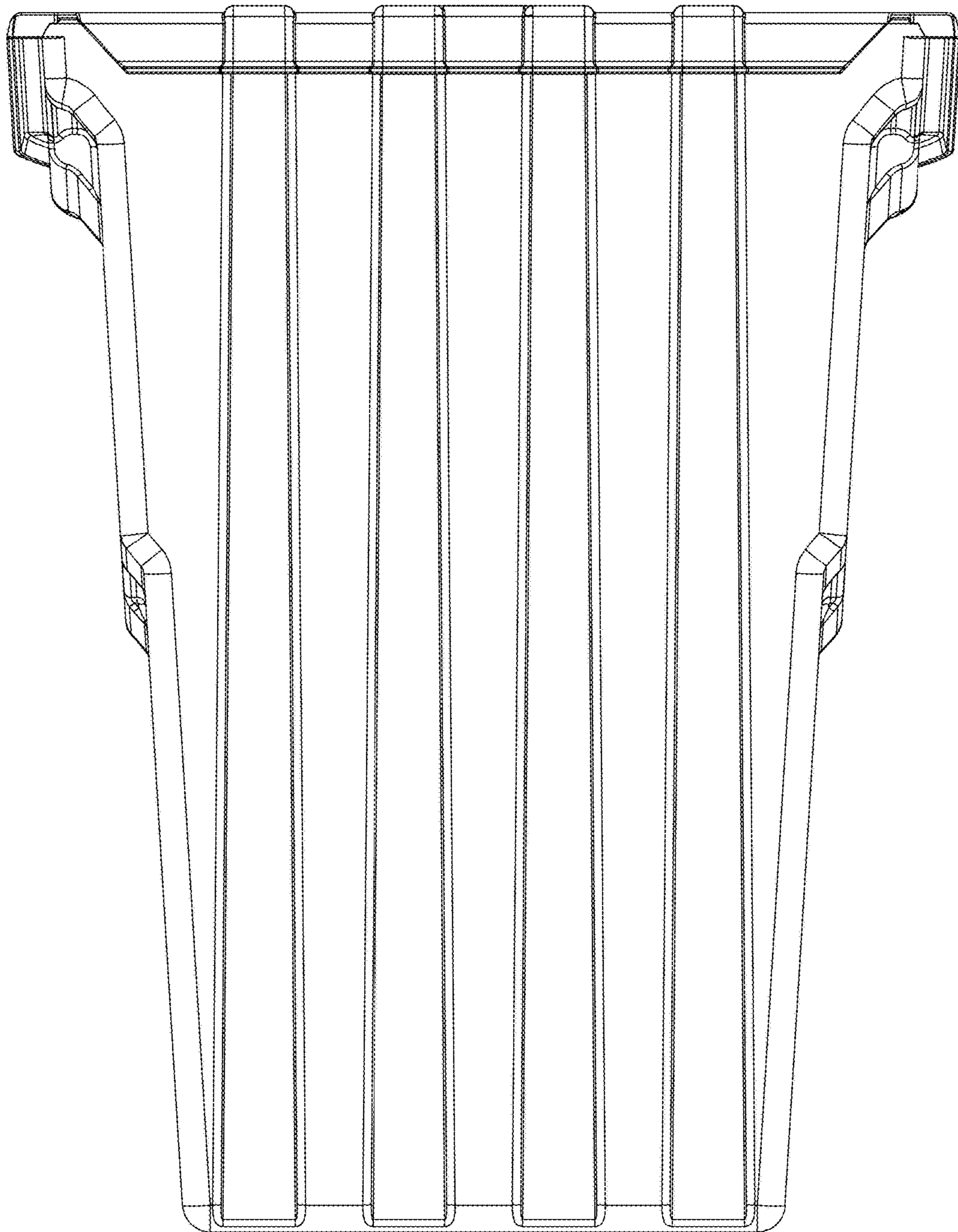


Fig. 5

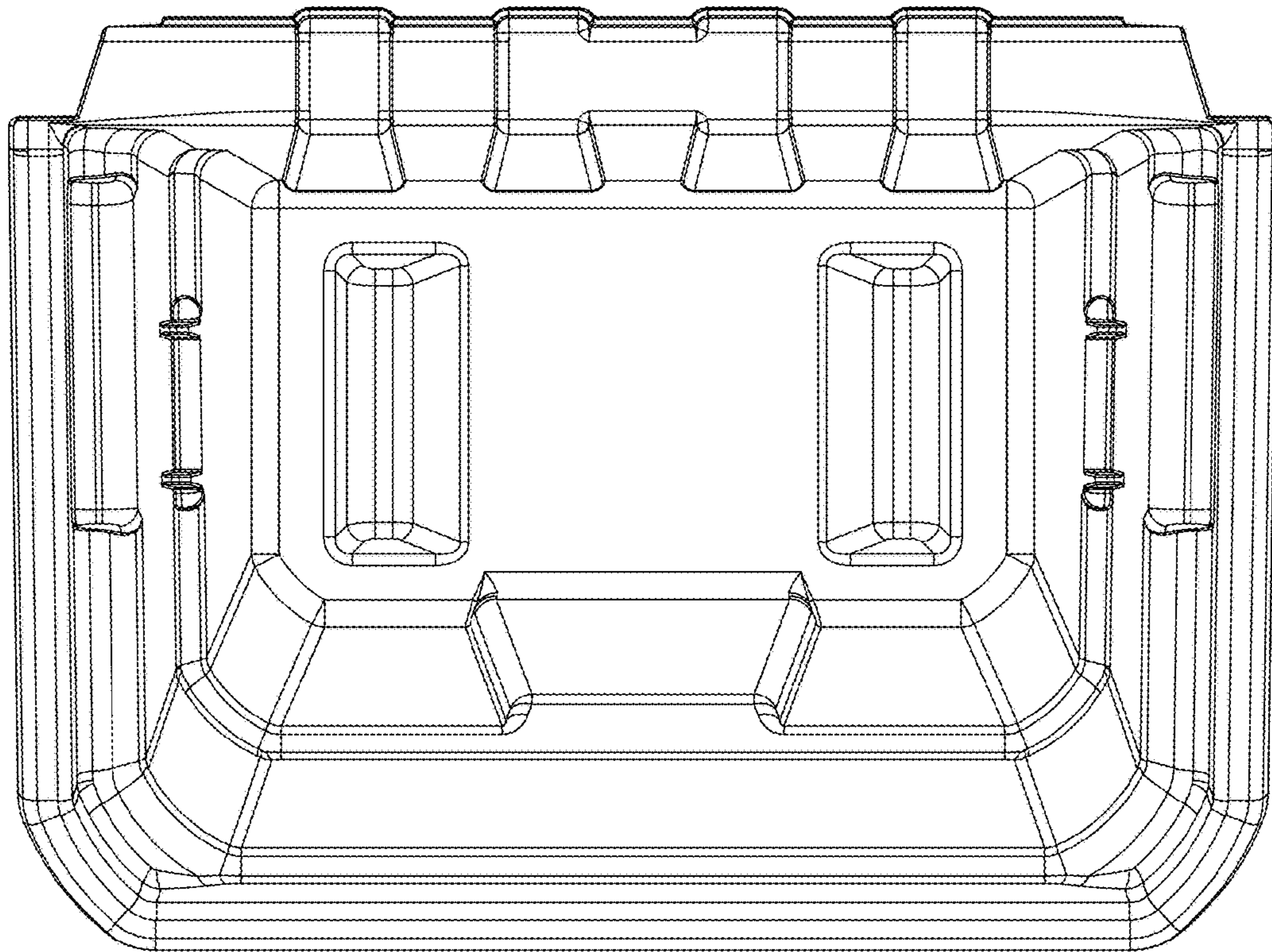


Fig. 6

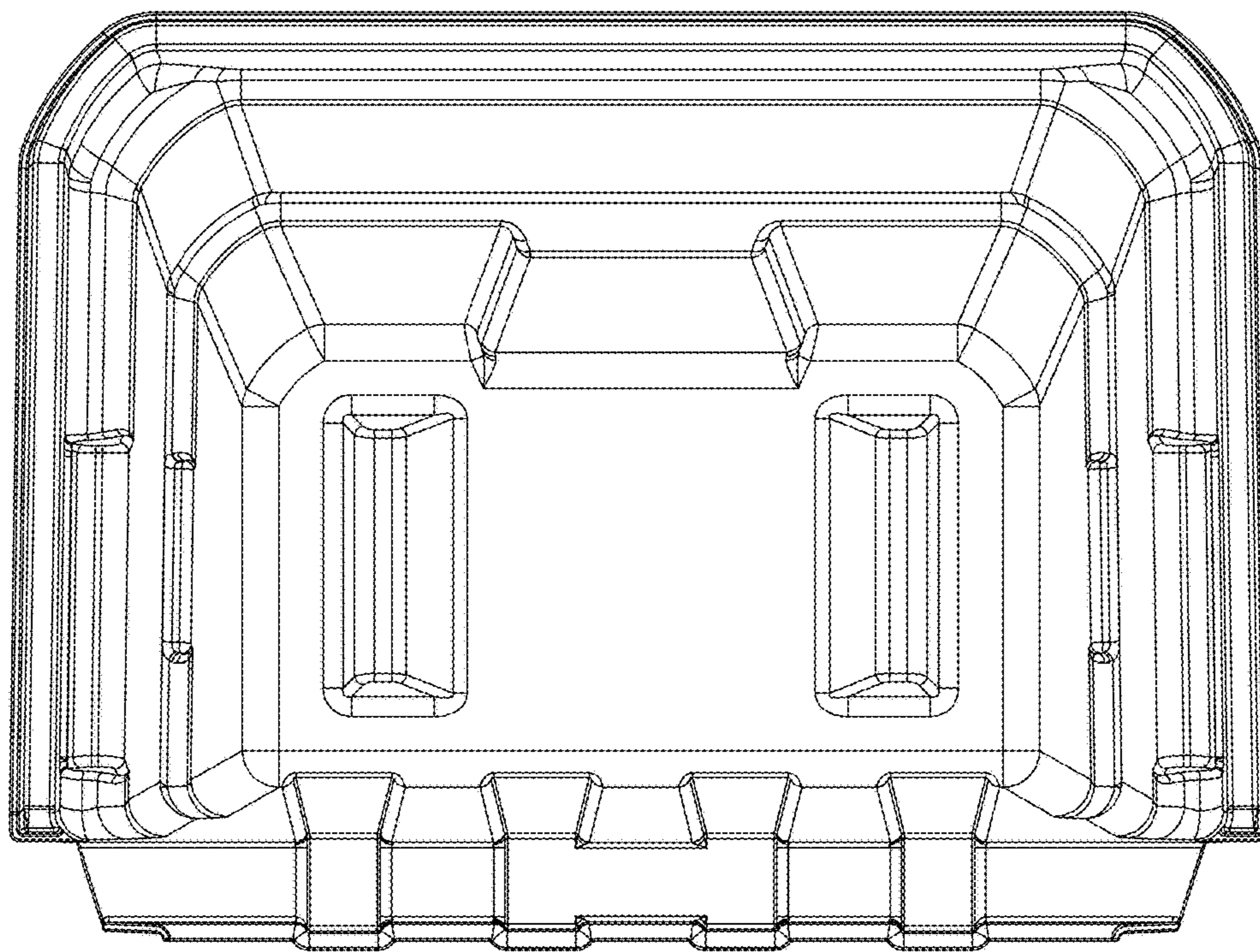


Fig. 7

