

US00D831287S

(12) **United States Design Patent** (10) **Patent No.:** **US D831,287 S**  
**Vasilakes et al.** (45) **Date of Patent:** **\*\* Oct. 16, 2018**

(54) **CLEANING TOOL**

FOREIGN PATENT DOCUMENTS

(71) Applicant: **3M INNOVATIVE PROPERTIES COMPANY**, St. Paul, MN (US)

CN 303735346 \* 7/2016  
JP 1394212 8/2010

(Continued)

(72) Inventors: **Lloyd S. Vasilakes**, Stillwater, MN (US); **Mark W. Baldwin**, Woodbury, MN (US)

OTHER PUBLICATIONS

(73) Assignee: **3M INNOVATIVE PROPERTIES COMPANY**, St. Paul, MN (US)

3M triangular mop, video publish date Feb. 15, 2013, site visited Jul. 9, 2017, <https://www.youtube.com/watch?v=T8XHBdrYTg>.\*

(Continued)

(\*\*) Term: **15 Years**

*Primary Examiner* — John Windmuller

(21) Appl. No.: **29/570,327**

*Assistant Examiner* — John R Yeh

(22) Filed: **Jul. 7, 2016**

(74) *Attorney, Agent, or Firm* — Irina Hass

(51) **LOC (11) Cl.** ..... **07-05**

(52) **U.S. Cl.**  
USPC ..... **D32/52**

(57) **CLAIM**

(58) **Field of Classification Search**  
USPC ..... D32/40-43, 46-52; D21/500-505, 476, D21/576, 584, 606-608; D25/117; D8/70, 62  
CPC ..... A47L 13/22; A47L 13/312; B21D 53/76; A47K 7/03  
See application file for complete search history.

The ornamental design for a cleaning tool, as shown and described.

**DESCRIPTION**

(56) **References Cited**

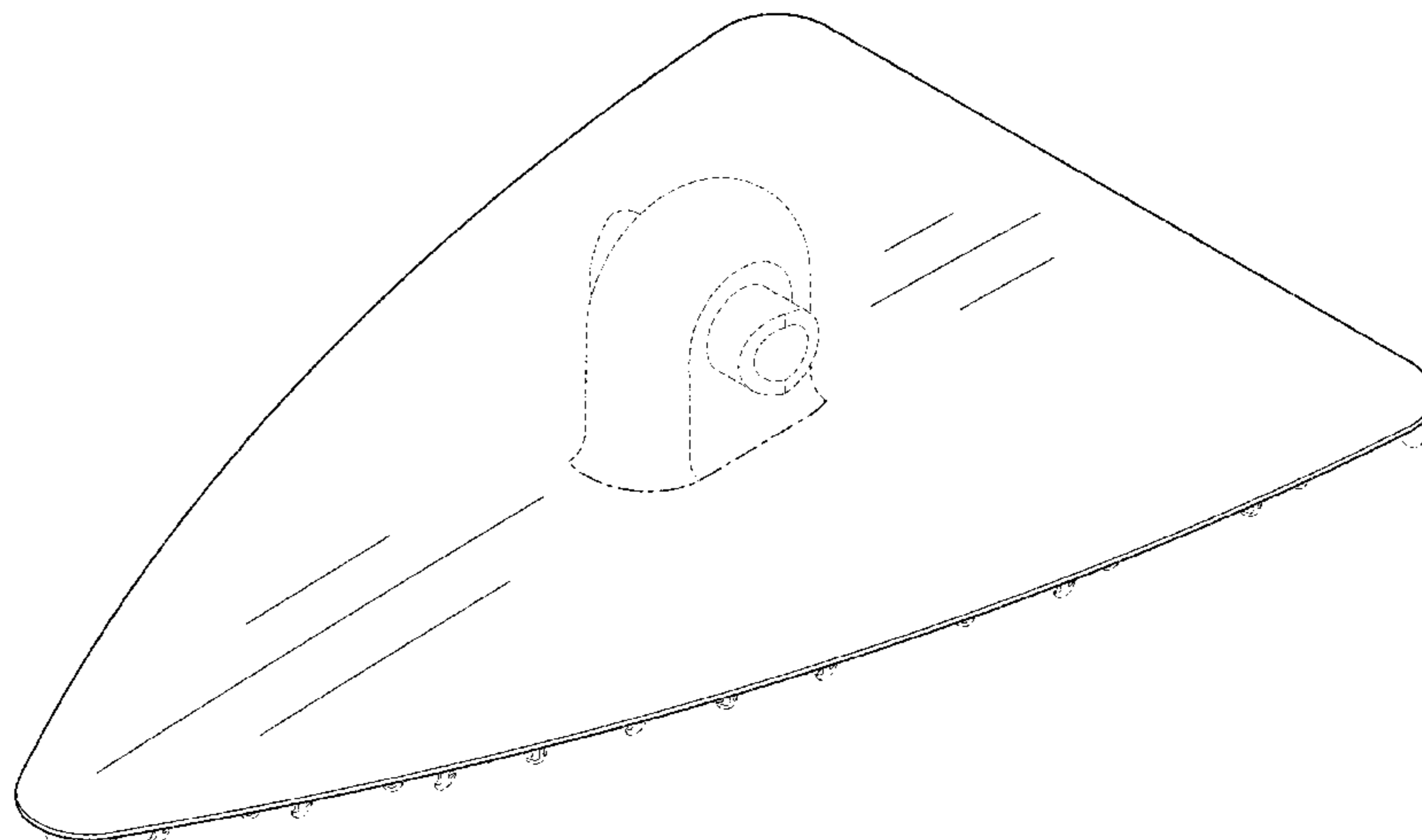
U.S. PATENT DOCUMENTS

1,508,941	A *	9/1924	Severns	.....	A47L 13/255
					15/229.6
1,520,148	A *	12/1924	Shickluna	.....	A47L 13/255
					15/229.8
1,643,637	A *	9/1927	Chadwick	.....	A47L 13/252
					15/228
D74,189	S *	1/1928	Robbins	.....	D32/52
1,771,768	A *	7/1930	Brown	.....	A47L 13/255
					15/229.7
1,940,543	A *	12/1933	Hertzberg	.....	A47L 13/20
					15/229.7
1,998,278	A *	4/1935	Halsey	.....	A47L 13/252
					15/149

FIG. 1 is a perspective view showing the new design for a cleaning tool;  
FIG. 2 is a front view thereof;  
FIG. 3 is a left side view thereof, a right side view being a mirror image thereof;  
FIG. 4 is a rear view thereof;  
FIG. 5 is a top view thereof;  
FIG. 6 is a bottom view thereof; and,  
FIG. 7 is a perspective view thereof showing the cleaning tool with a handle.  
The portions of the cleaning tool in FIGS. 1-7 shown in broken lines are included to show features that form no part of the claimed design. The dash-dot-dot lines represent boundaries of the claim and form no part of the claimed design.

(Continued)

**1 Claim, 6 Drawing Sheets**



(56)

References Cited

U.S. PATENT DOCUMENTS

2,247,883 A \* 7/1941 Johnson ..... A47L 13/20  
15/229.8  
D152,843 S \* 2/1949 Wagner ..... D32/50  
D185,727 S \* 7/1959 Yamen et al. .... D32/50  
D188,237 S \* 6/1960 Littleton ..... D32/50  
D213,217 S \* 1/1969 Littleton ..... D32/50  
D214,287 S \* 5/1969 Anderson ..... D32/50  
D221,244 S \* 7/1971 Lawrence ..... 15/236.07  
D245,473 S \* 8/1977 Heninger ..... D32/50  
D269,944 S \* 8/1983 Young ..... D32/40  
D293,146 S \* 12/1987 Brun ..... D32/70  
D302,880 S \* 8/1989 Terry ..... D32/40  
D304,892 S \* 12/1989 Bevilacqua ..... D32/46  
D315,238 S \* 3/1991 Tien-Lai ..... D32/70  
D315,642 S \* 3/1991 Furgale ..... D32/50  
D332,160 S \* 12/1992 Kuzma ..... D32/41  
D364,719 S \* 11/1995 Crawford ..... D32/46  
D374,750 S \* 10/1996 Vanderhoef ..... D32/50  
D381,152 S \* 7/1997 Lin ..... D32/69  
D460,232 S \* 7/2002 Weihrauch ..... D32/50  
D471,334 S \* 3/2003 Reede ..... D32/50  
6,973,695 B1 \* 12/2005 Nesler ..... A47L 1/06  
15/144.2  
D522,201 S \* 5/2006 Davis-Wilson ..... D32/50  
D544,667 S \* 6/2007 Nelson ..... D32/50  
D547,069 S \* 7/2007 Braithwaite ..... D32/15  
D553,317 S 10/2007 Dotterman et al.  
D554,309 S 10/2007 Wolk et al.  
D559,489 S 1/2008 Li  
D578,720 S \* 10/2008 Norcorn ..... D32/52  
D589,668 S \* 3/2009 Byrne ..... D32/50  
D594,617 S \* 6/2009 Yeung ..... D32/69  
7,540,056 B2 \* 6/2009 Dotterman ..... A47L 13/24  
15/147.2  
D604,918 S \* 11/2009 Thomas ..... D32/40  
D629,985 S \* 12/2010 Lee ..... D32/51  
D647,677 S \* 10/2011 Dammkoehler ..... D32/51  
D664,729 S \* 7/2012 Robertson ..... D32/50  
D712,108 S \* 8/2014 Nho ..... D32/70  
D743,135 S \* 11/2015 Pullen ..... D32/50  
9,345,370 B2 \* 5/2016 Post ..... A47L 1/15  
9,402,515 B2 \* 8/2016 Post ..... A47L 1/15  
9,560,943 B2 \* 2/2017 Post ..... A47L 1/15

D798,518 S \* 9/2017 Holschbach ..... D32/46  
D810,372 S \* 2/2018 Buckley ..... D32/50  
2012/0301208 A1 11/2012 Hughes et al.  
2016/0374532 A1 \* 12/2016 Patterson ..... A47L 13/22  
134/6  
2018/0110391 A1 \* 4/2018 Patterson ..... A47L 13/22

FOREIGN PATENT DOCUMENTS

JP 1399624 10/2010  
JP D1582603 \* 7/2017

OTHER PUBLICATIONS

Alibaba Triangular sponge w long handle, reviews 2017, <https://th.aliexpress.com/item/Long-Handle-Multifunctional-Triangular-Sponge-Brush-Usuf> . . . site visited Jul. 9, 2017.\*  
Amazon, Waxie Wedge Dust Mop Head, website 2018, <https://www.amazon.com/WAXIE-Wedge-Dust-Head-Case/dp/B00DH4UBLE>, site visited May 11, 2018.\*  
Bed Bath & Beyond, Shark® 2-Pack Triangular Dirt Grip™ Washable Steam Pads, oldest review Jun. 13, 2017, <https://www.bedbathandbeyond.com/store/product/shark-reg-2-pack-triangular-dirt-grip-tr> . . . site visited May 11, 2018.\*  
“Target Clorox Extendable Pole Tub and Tile Scrubber”, retrieved from the internet [Dec. 7, 2017], [https://www.target.com/p/clorox-bright-blue-tub-and-tile-scrubber/-/A-13793923?ref=tgt\\_adv\\_XS000000&AFID=google\\_pla\\_df&CPNG=PLA\\_Grocery%2BEssentials%2BShopping&adgroup=SC\\_Grocery&LID=700000001170770pgs&network=s&device=c&location=9019552&gclid=CN6I-pzE4c0CFZSIaQod6p0Efg&gclsrc=aw.ds](https://www.target.com/p/clorox-bright-blue-tub-and-tile-scrubber/-/A-13793923?ref=tgt_adv_XS000000&AFID=google_pla_df&CPNG=PLA_Grocery%2BEssentials%2BShopping&adgroup=SC_Grocery&LID=700000001170770pgs&network=s&device=c&location=9019552&gclid=CN6I-pzE4c0CFZSIaQod6p0Efg&gclsrc=aw.ds).  
“Bed Bath and Beyond Oxo Good Grips Tub and Tile Scrubber” retrieved from the internet [Dec. 7, 2017], [https://www.bedbathandbeyond.com/store/product/oxo-good-grips-tub-and-tile-scrubber/3257977?skuId=43076123&mcid=PS\\_googlepla\\_nonbrand\\_homedecor\\_&adpos=1o5&creative=43742653069&device=c&matchtype=&network=s&gclid=CKTYwrPG4c0CFZE0aQod2ZkNXQ](https://www.bedbathandbeyond.com/store/product/oxo-good-grips-tub-and-tile-scrubber/3257977?skuId=43076123&mcid=PS_googlepla_nonbrand_homedecor_&adpos=1o5&creative=43742653069&device=c&matchtype=&network=s&gclid=CKTYwrPG4c0CFZE0aQod2ZkNXQ).  
“Casabella Flex Neck TNT Scrubber” retrieved from the internet [Dec. 12, 2017], <https://casabella.com/flex-neck-tnt-scrubber/>.  
“Hand Wiper,” Car Graphic, issue 2, Jan. 1, 2004, p. 138.

\* cited by examiner

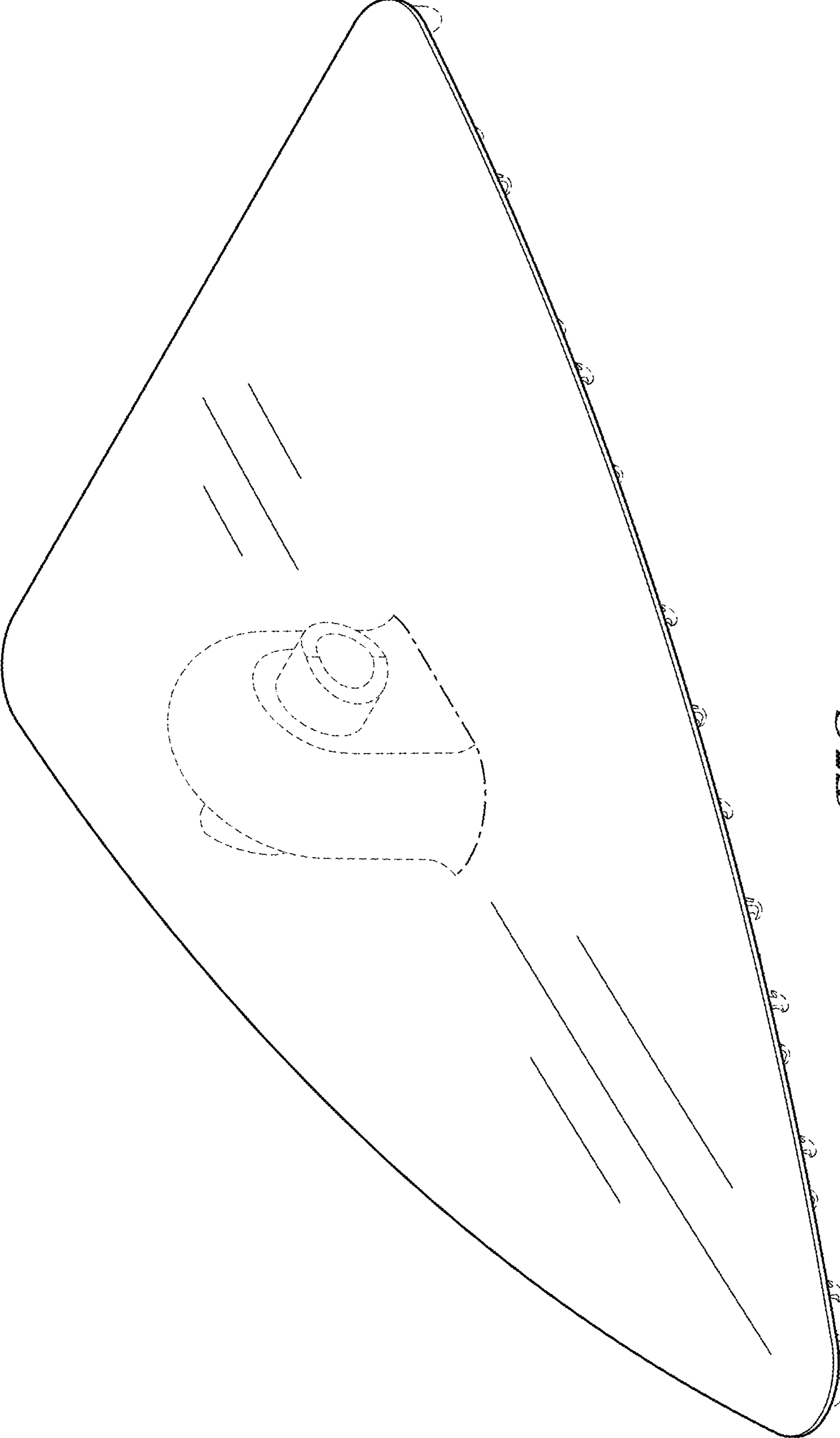
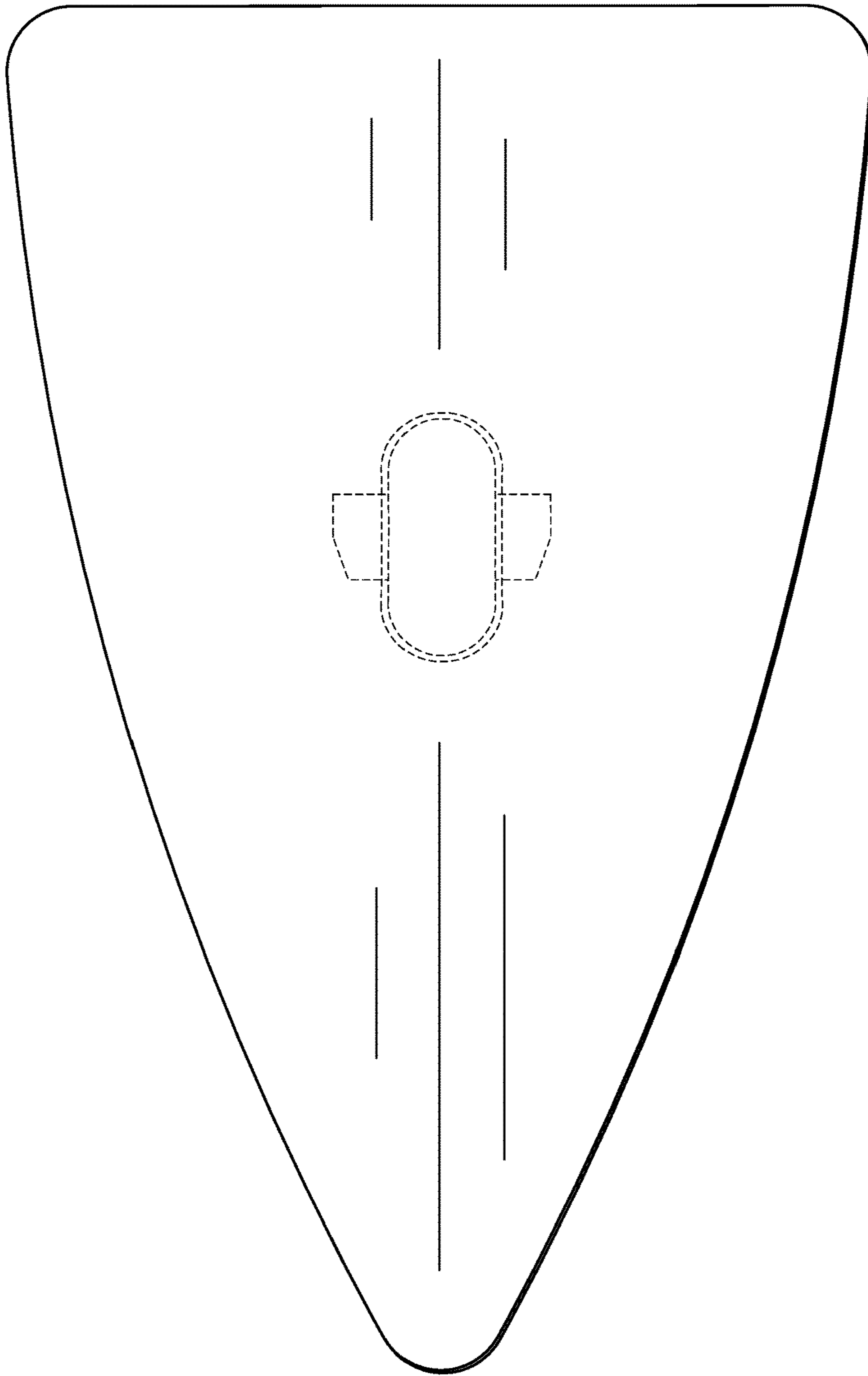
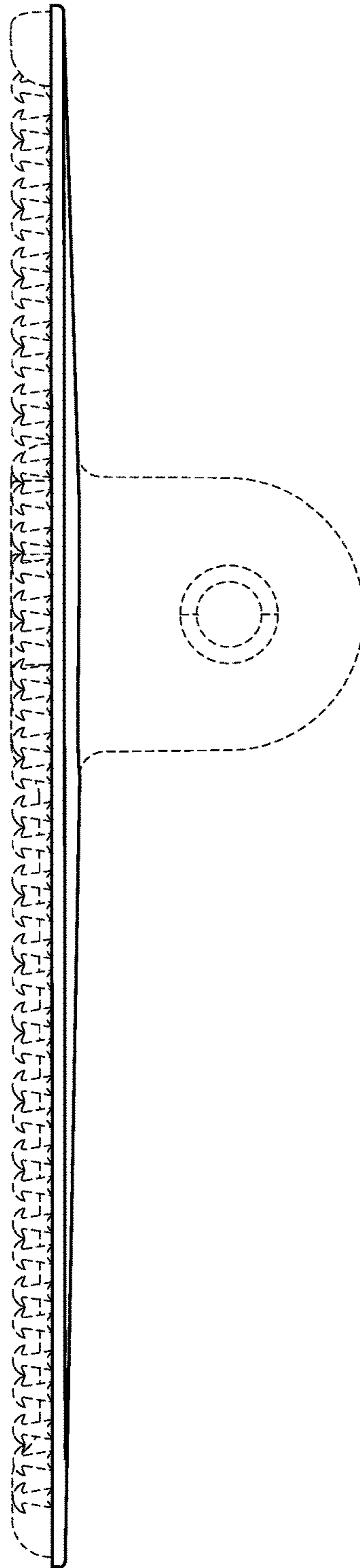


FIG. 1



*FIG. 2*



*FIG. 3*

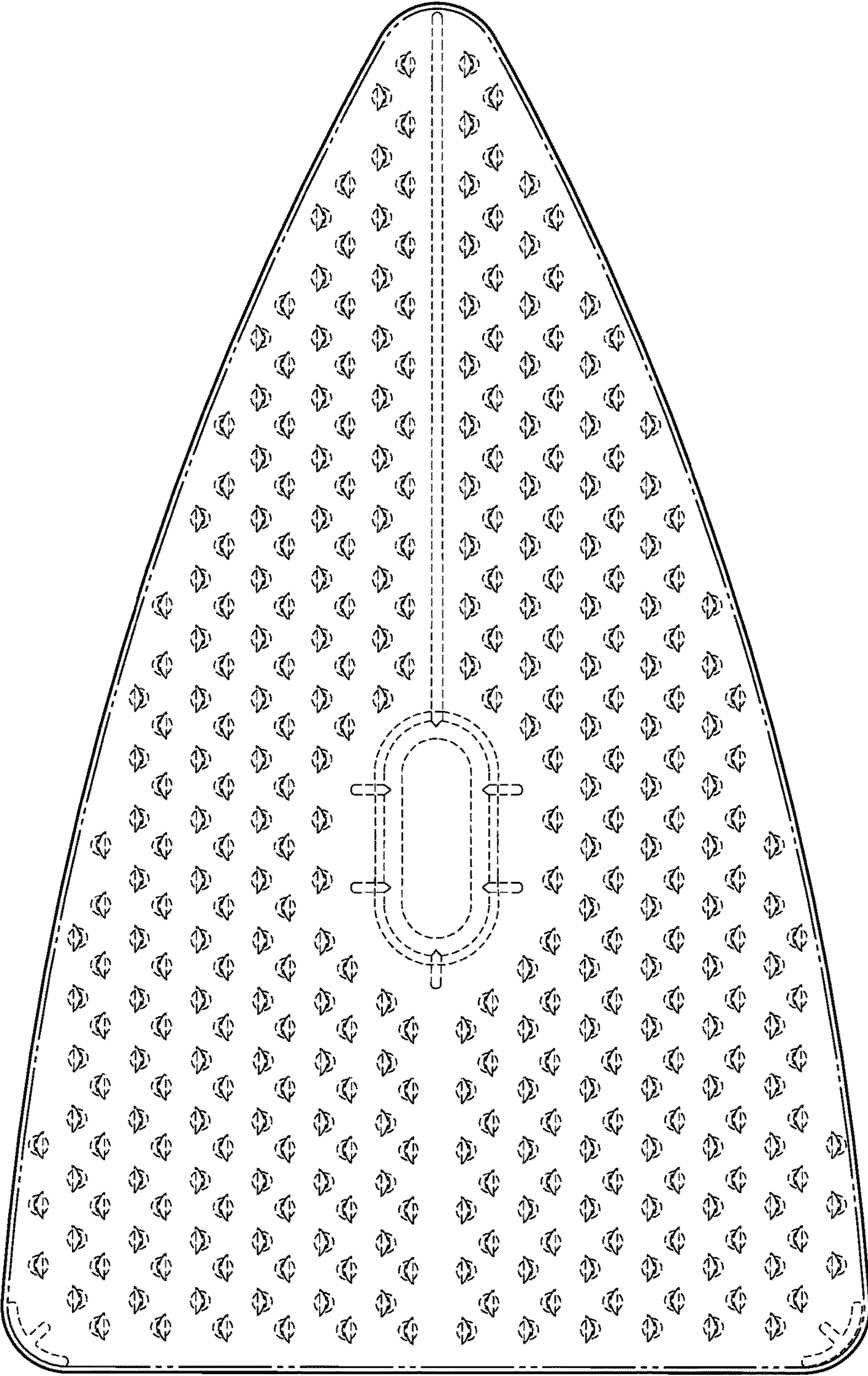
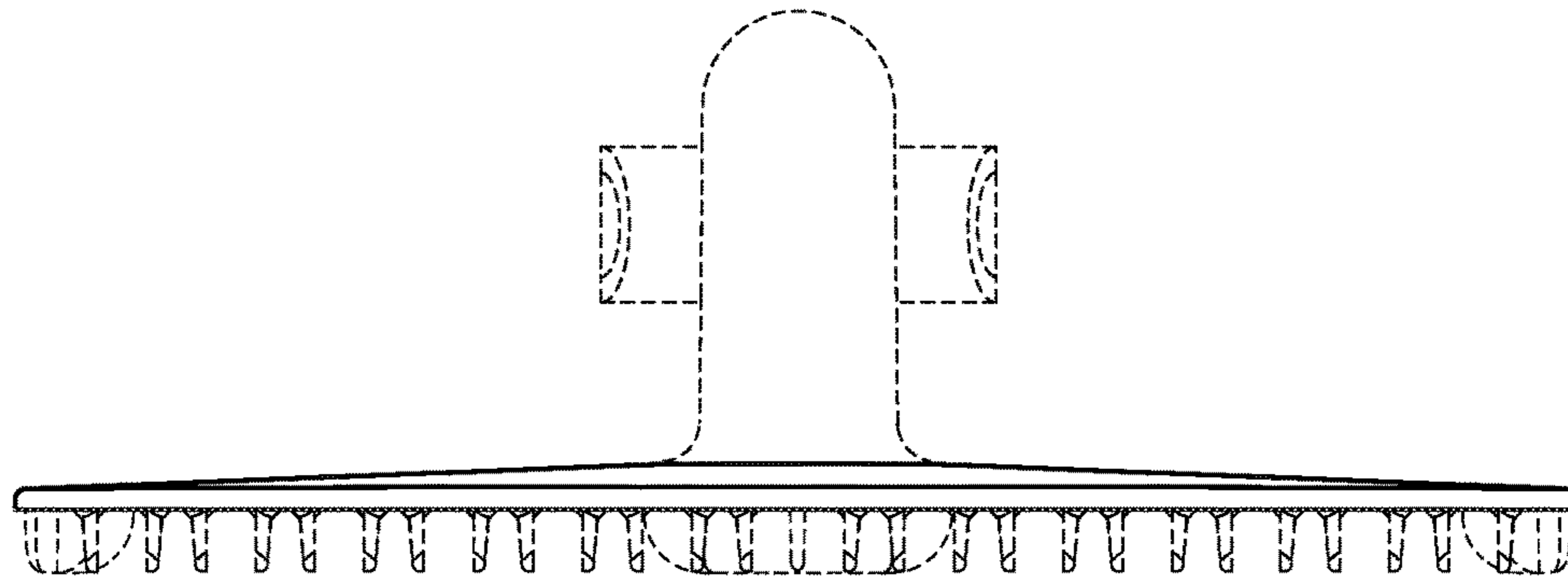
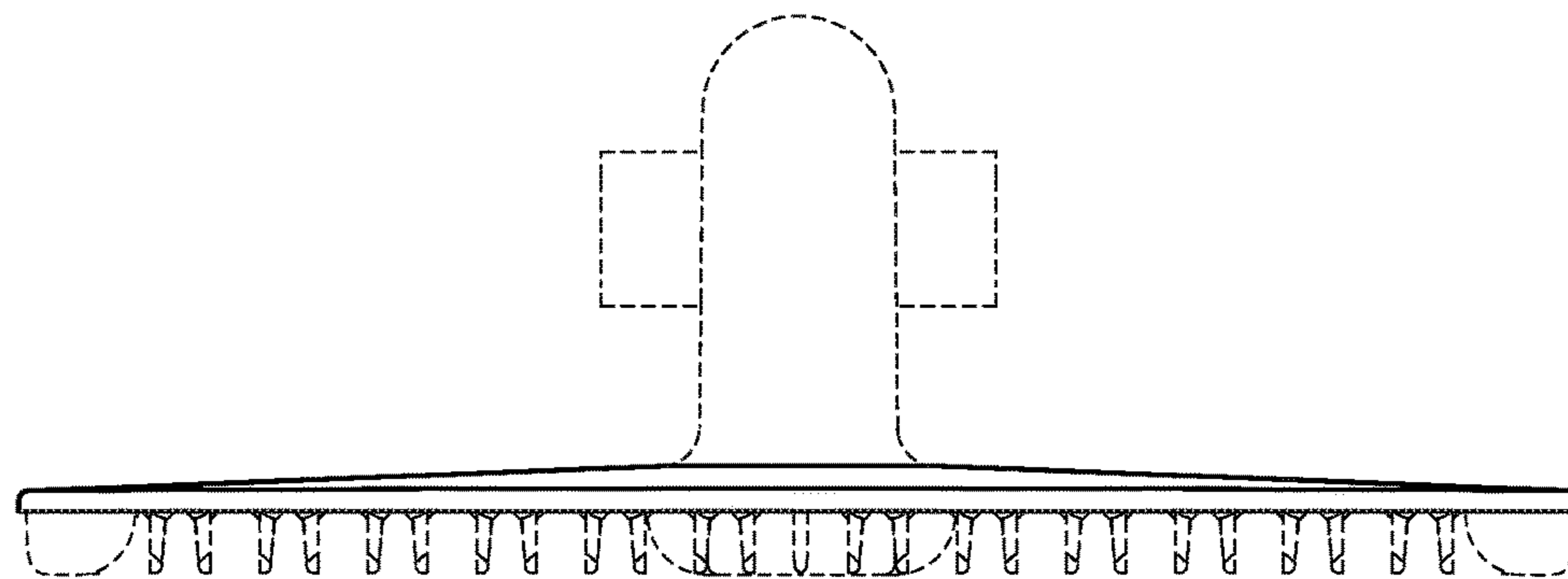


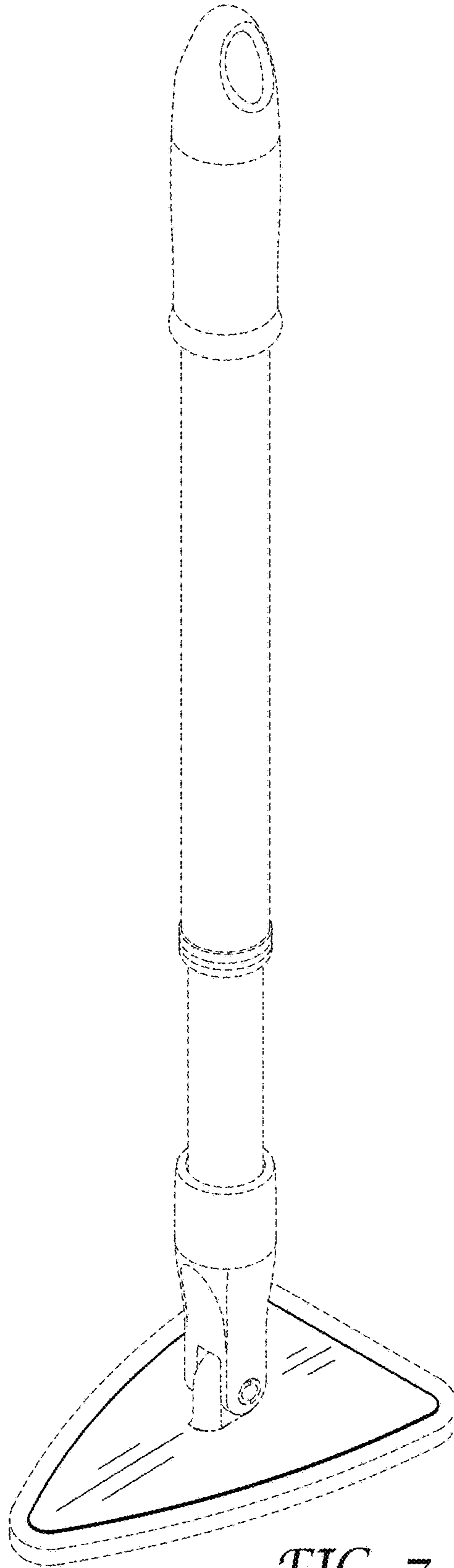
FIG. 4



*FIG. 5*



*FIG. 6*



*FIG. 7*