



US00D831285S

(12) **United States Design Patent**  
**Kim et al.**

(10) **Patent No.:** **US D831,285 S**  
(45) **Date of Patent:** **\*\* Oct. 16, 2018**

(54) **DETERGENT CONTAINER FOR WASHING MACHINE**

(71) Applicant: **Samsung Electronics Co., Ltd.**,  
Suwon-si (KR)

(72) Inventors: **Jinnam Kim**, Seoul (KR); **Jungah Choi**, Seoul (KR)

(73) Assignee: **Samsung Electronics Co., Ltd.**,  
Suwon-si (KR)

(\*\*) Term: **15 Years**

(21) Appl. No.: **29/617,250**

(22) Filed: **Sep. 13, 2017**

(30) **Foreign Application Priority Data**

May 18, 2017 (KR) ..... 30-2017-0022479

(51) **LOC (11) Cl.** ..... **15-05**

(52) **U.S. Cl.**  
USPC ..... **D32/29.1**

(58) **Field of Classification Search**  
USPC ..... D32/1, 5-6, 8, 25, 28, 29.1  
CPC .... D06F 33/02; D06F 39/02; D06F 2204/065;  
D06F 25/00; D06F 35/006; D06F 39/028;  
D06F 39/08; D06F 39/022; D06F  
2204/02; D06F 2202/085; A47L 15/4409;  
A47L 15/4418; A01J 7/022; A47K  
5/1214; B67C 11/02; B65D 88/68  
See application file for complete search history.

(56) **References Cited**

**U.S. PATENT DOCUMENTS**

2,679,850 A \* 6/1954 Kamp ..... A47L 15/4409  
134/93  
2,812,881 A \* 11/1957 Karig ..... A47L 15/4409  
134/93

2,969,072 A \* 1/1961 Barritt ..... A47L 15/4409  
134/165  
4,444,730 A \* 4/1984 Renders ..... D06F 39/02  
422/264  
4,530,370 A \* 7/1985 Horky ..... A01J 7/022  
134/57 R  
D306,224 S \* 2/1990 Nystuen ..... D32/3  
4,917,272 A \* 4/1990 Ikeda ..... B65D 88/68  
222/231  
D308,738 S \* 6/1990 Nystuen ..... D32/3  
(Continued)

**FOREIGN PATENT DOCUMENTS**

EM 001557331-0005 8/2009  
EM 001557331-0007 8/2009

(Continued)

*Primary Examiner* — Michelle E. Wilson  
(74) *Attorney, Agent, or Firm* — NSIP Law

(57) **CLAIM**

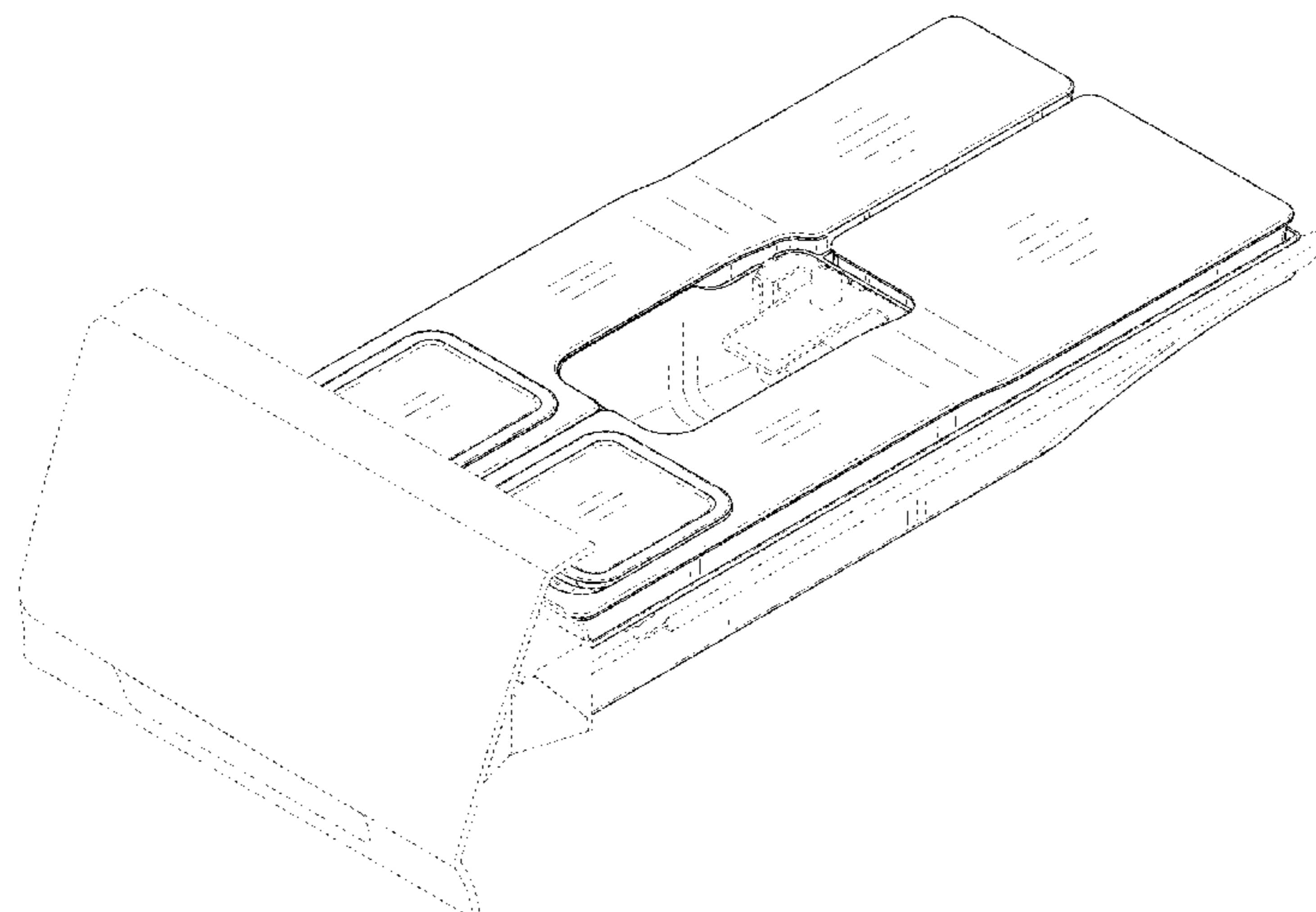
We claim the ornamental design for a detergent container for washing machine, as shown and described.

**DESCRIPTION**

FIG. 1 is a front perspective view of a detergent container for washing machine showing our new design;  
FIG. 2 is a front view thereof;  
FIG. 3 is a rear view thereof;  
FIG. 4 is a left-side view thereof;  
FIG. 5 is a right-side view thereof;  
FIG. 6 is a top view thereof;  
FIG. 7 is a bottom view thereof; and,  
FIG. 8 is a front perspective view thereof shown in a state of use.

The broken lines in the figures depict environmental subject matter and form no part of the claimed design.  
The dot-dot-dash broken lines in the figure illustrate a boundary of the claimed design, and form no part of the claimed design.

**1 Claim, 8 Drawing Sheets**



(56)

## References Cited

## U.S. PATENT DOCUMENTS

D308,739	S *	6/1990	Nystuen	.....	D32/3
5,063,757	A *	11/1991	Ikeda	.....	D06F 39/026 222/236
5,271,251	A *	12/1993	Kovich	.....	D06F 35/006 68/171
5,297,596	A *	3/1994	Anson	.....	B67C 11/02 141/331
D352,578	S *	11/1994	Mooney	.....	D32/3
5,460,018	A *	10/1995	Werner	.....	D06F 23/04 475/163
5,507,414	A *	4/1996	Ong	.....	A47K 5/1214 211/65
D604,466	S *	11/2009	Gaa	.....	D32/29.1
D697,681	S *	1/2014	Chung	.....	D32/29.1
D765,323	S *	8/2016	Choi	.....	D32/29.1
D772,508	S *	11/2016	Burrell	.....	D32/29.1
D772,509	S *	11/2016	Ha	.....	D32/29.1
D787,763	S *	5/2017	Kim	.....	D32/29.1
D787,764	S *	5/2017	Kim	.....	D32/29.1
D788,389	S *	5/2017	Kim	.....	D32/29
D788,390	S *	5/2017	Kim	.....	D32/29.1
D788,391	S *	5/2017	Kim	.....	D32/29.1
D794,886	S *	8/2017	Kim	.....	D32/29.1
D794,887	S *	8/2017	Kim	.....	D32/29.1
D797,388	S *	9/2017	Kim	.....	D32/29.1
D797,389	S *	9/2017	Kim	.....	D32/29.1
D800,402	S *	10/2017	Ha	.....	D32/29.1
D809,724	S *	2/2018	Yoon	.....	D32/29.1
D811,029	S *	2/2018	Yoon	.....	D32/29.1
2004/0025263	A1*	2/2004	Kim	.....	D06F 35/003 8/159
2006/0059958	A1*	3/2006	Byrne	.....	A47L 15/4418 68/17 R
2010/0095712	A1*	4/2010	Kim	.....	D06F 39/02 68/12.18
2015/0252514	A1*	9/2015	Seo	.....	D06F 39/028 68/17 R

## FOREIGN PATENT DOCUMENTS

KR	30-2008-0052168	6/2009
KR	30-2011-0012763	6/2012
KR	30-2015-0046163	1/2016

\* cited by examiner

FIG.1

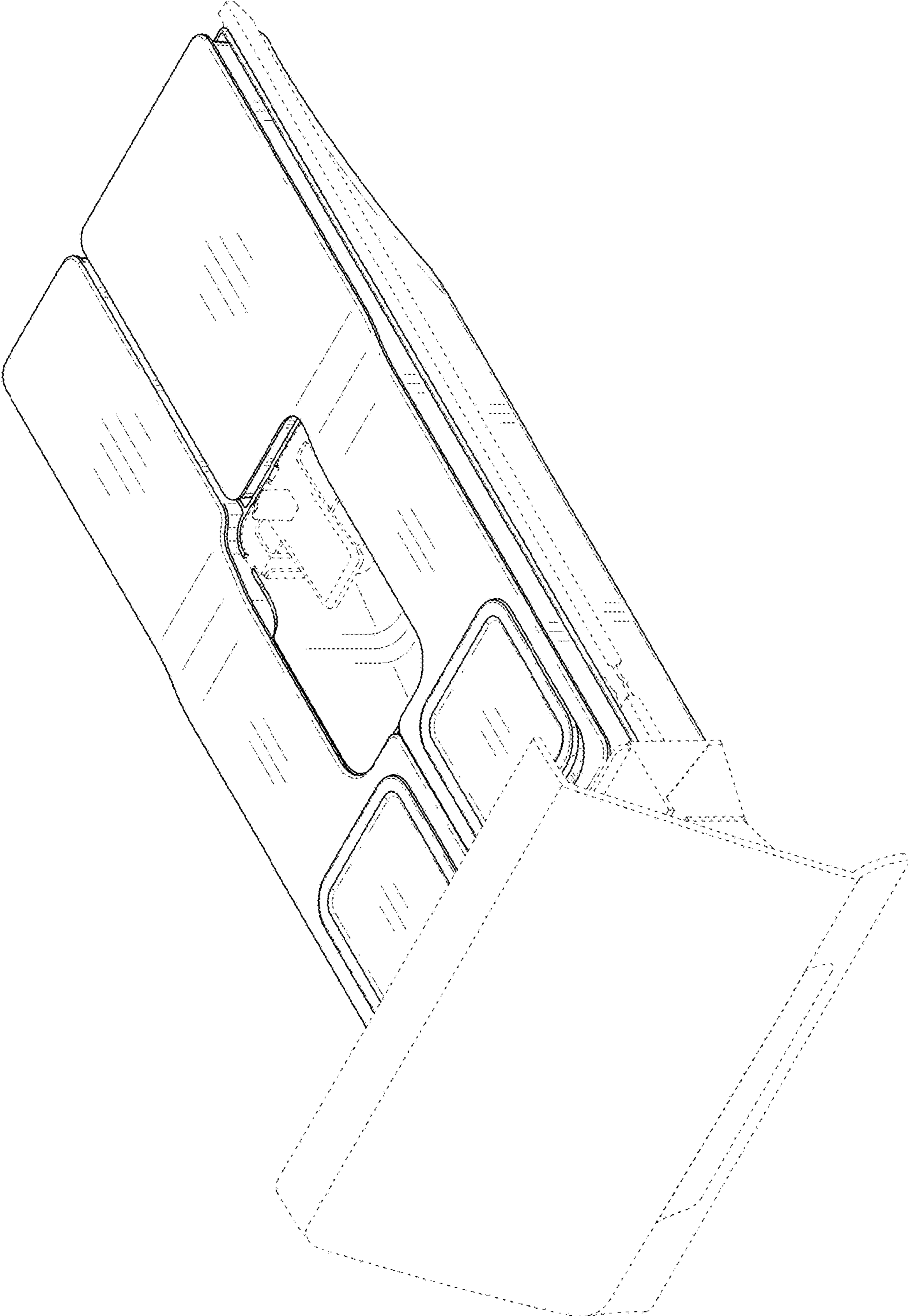


FIG.2

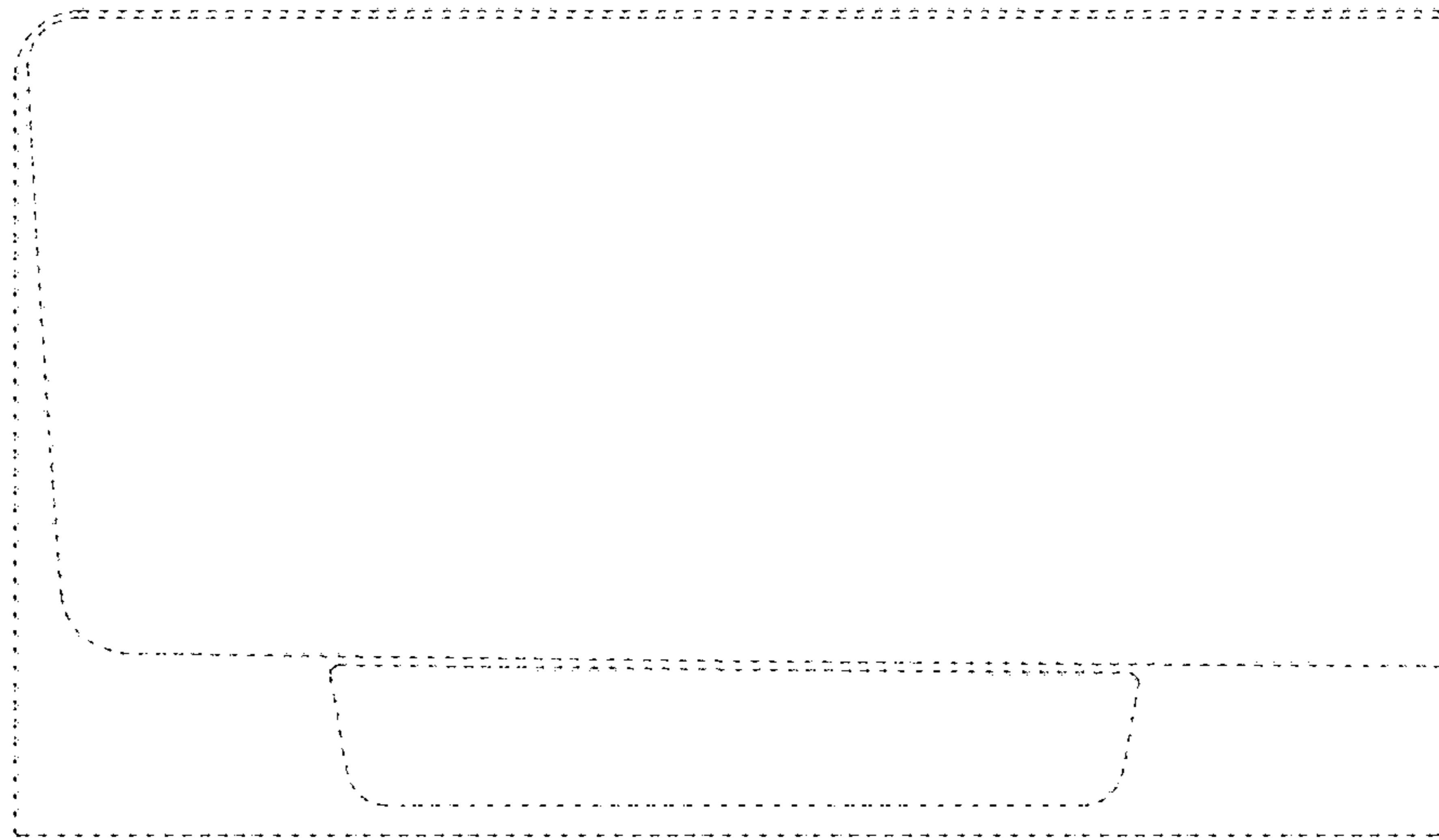


FIG.3

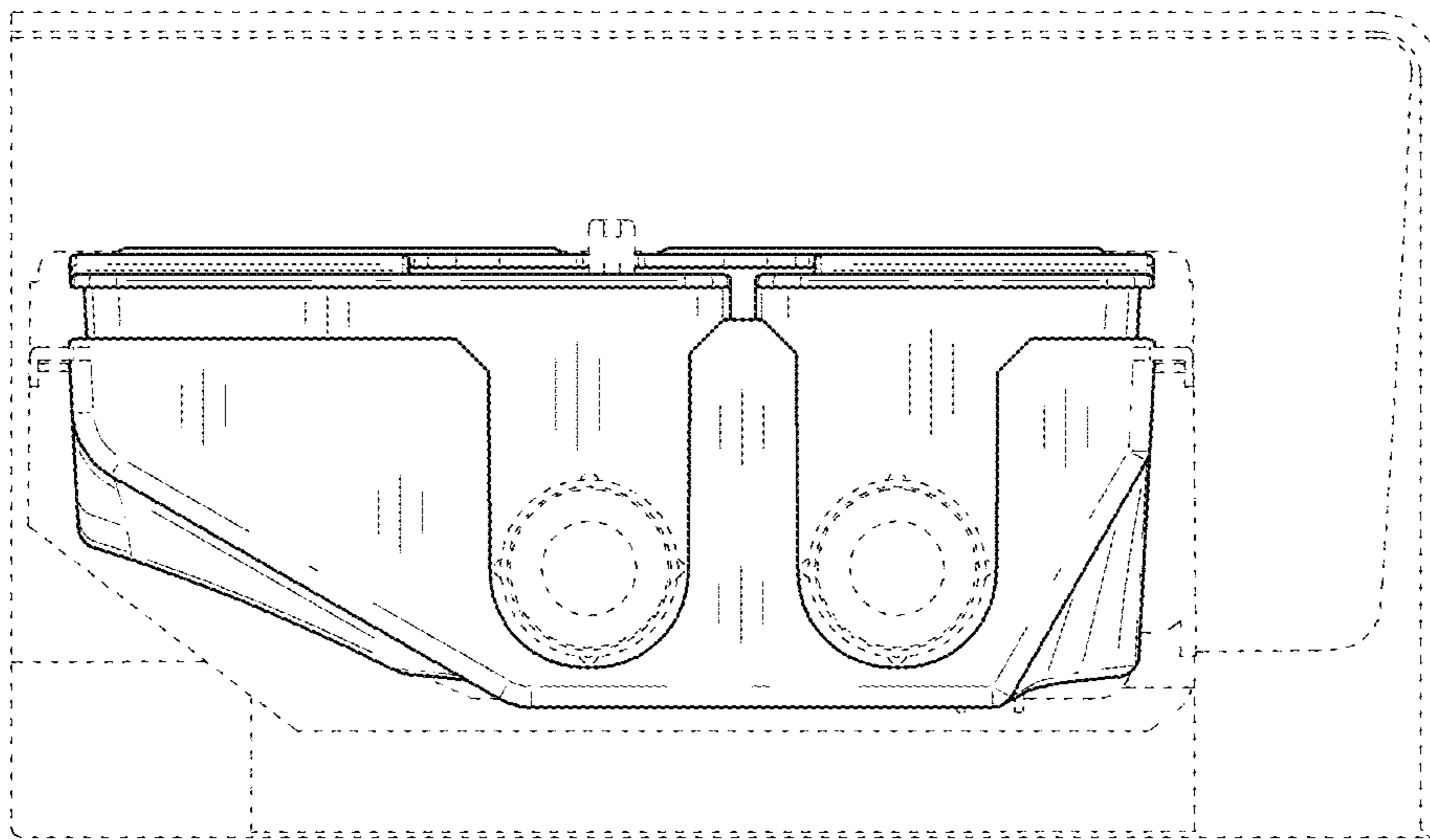


FIG. 4

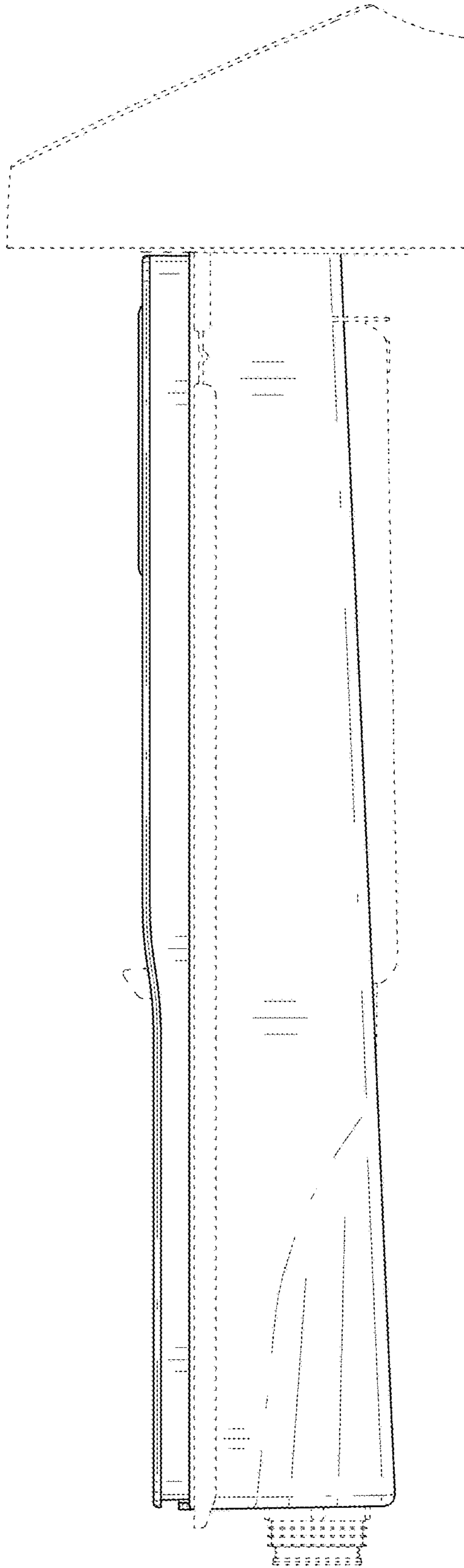


FIG. 5

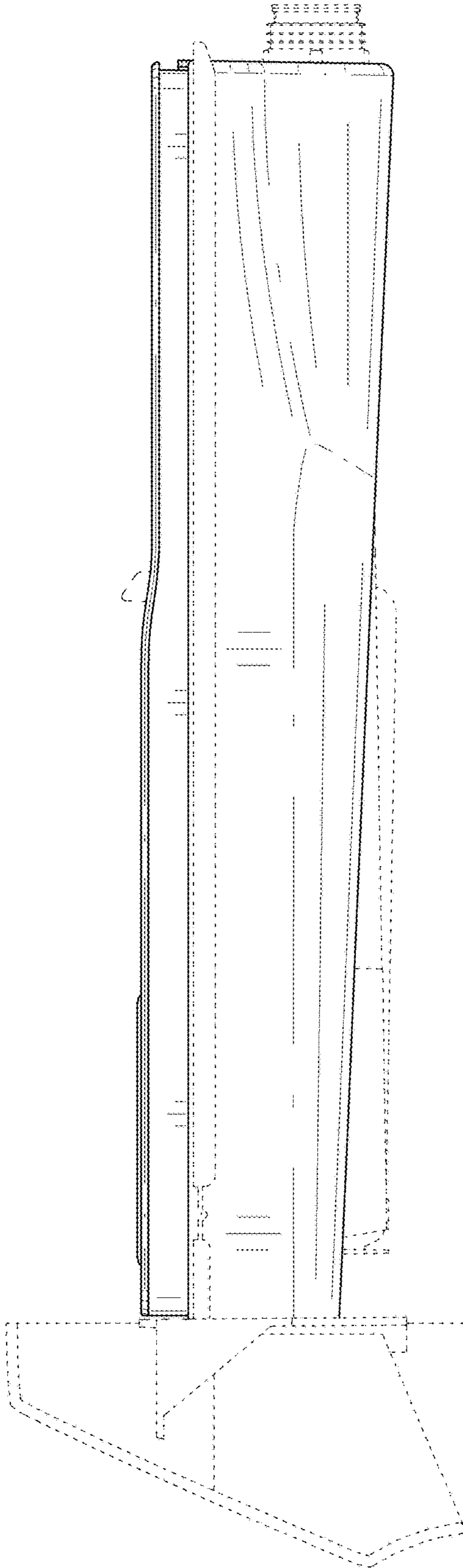


FIG.6

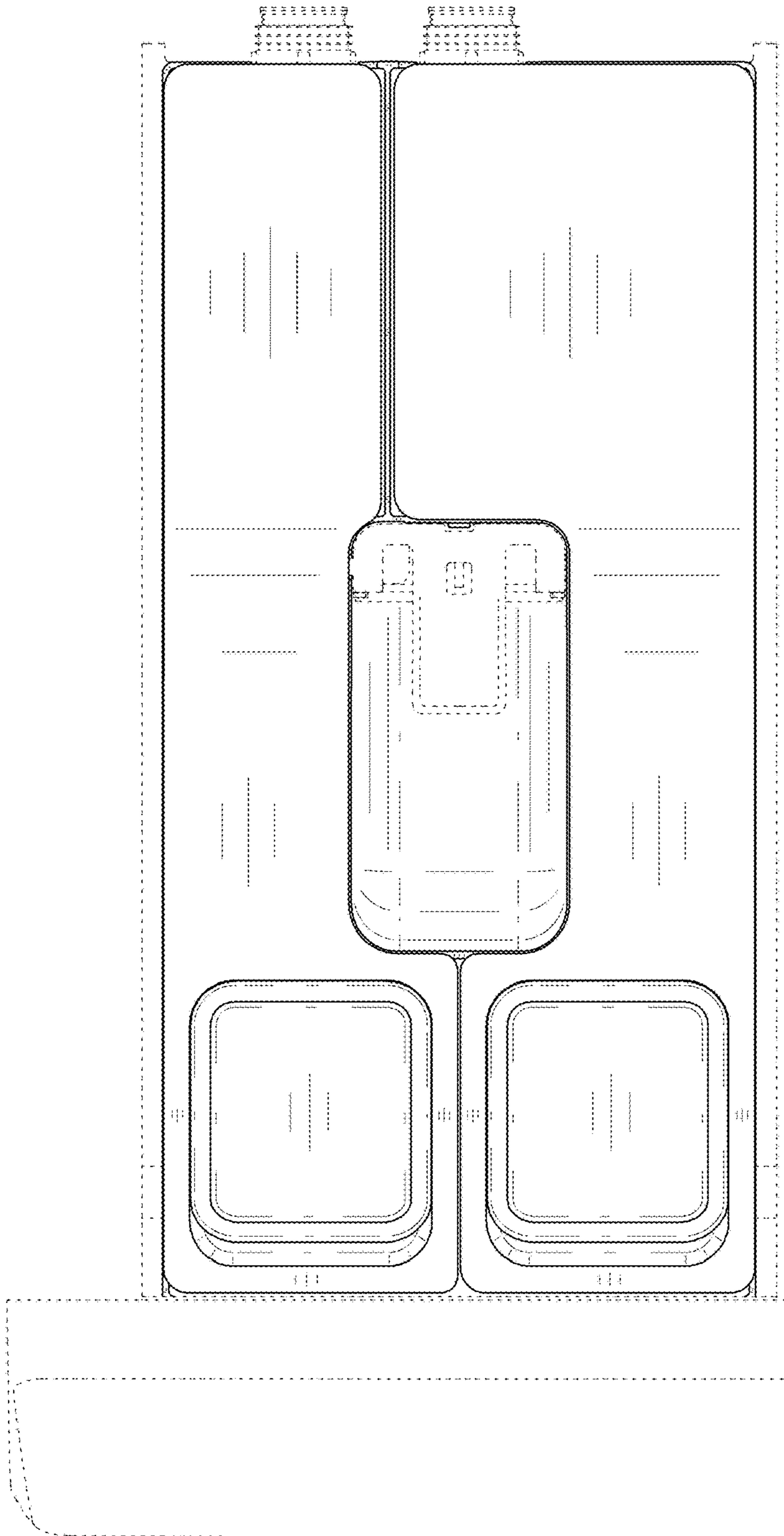
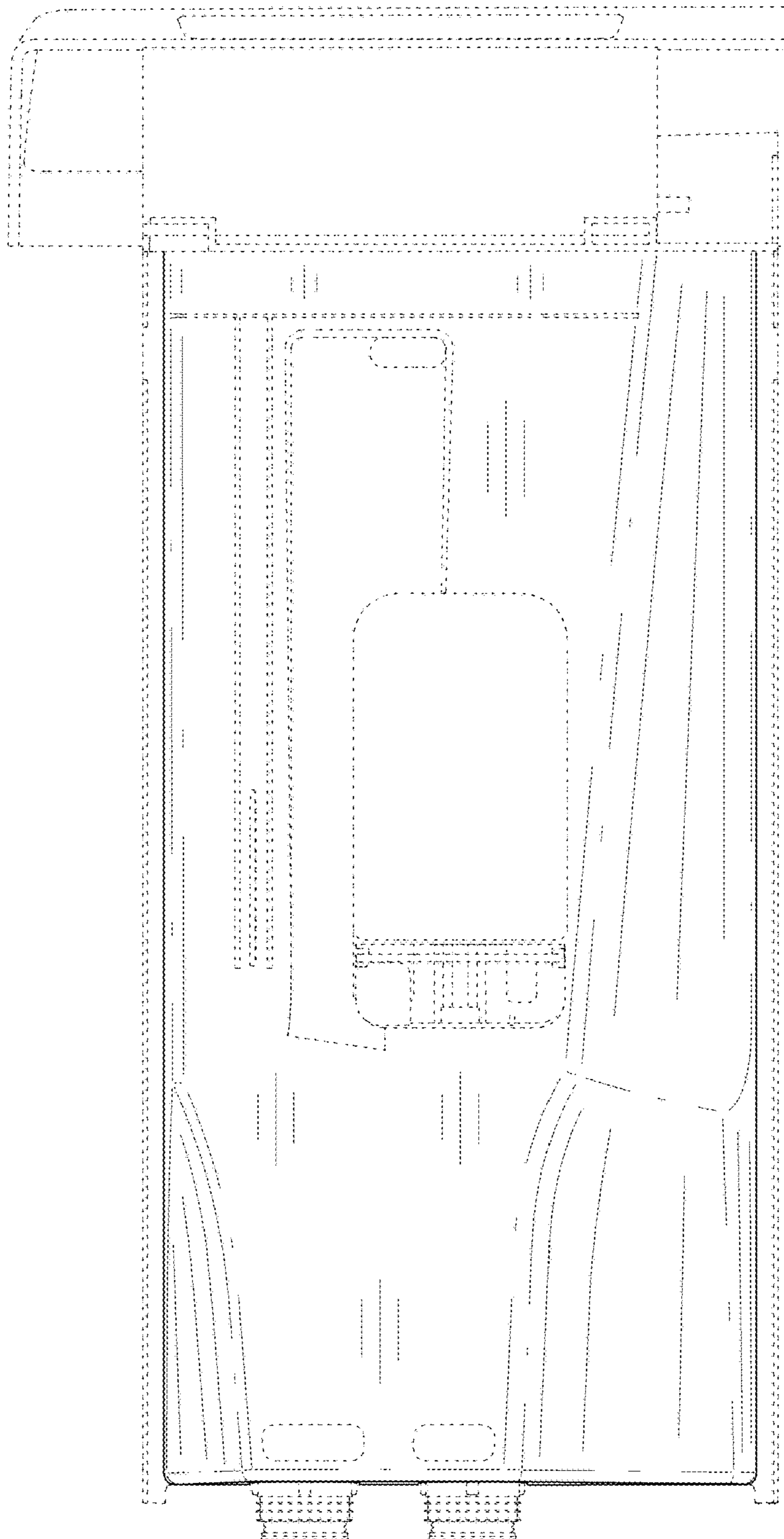




FIG. 7



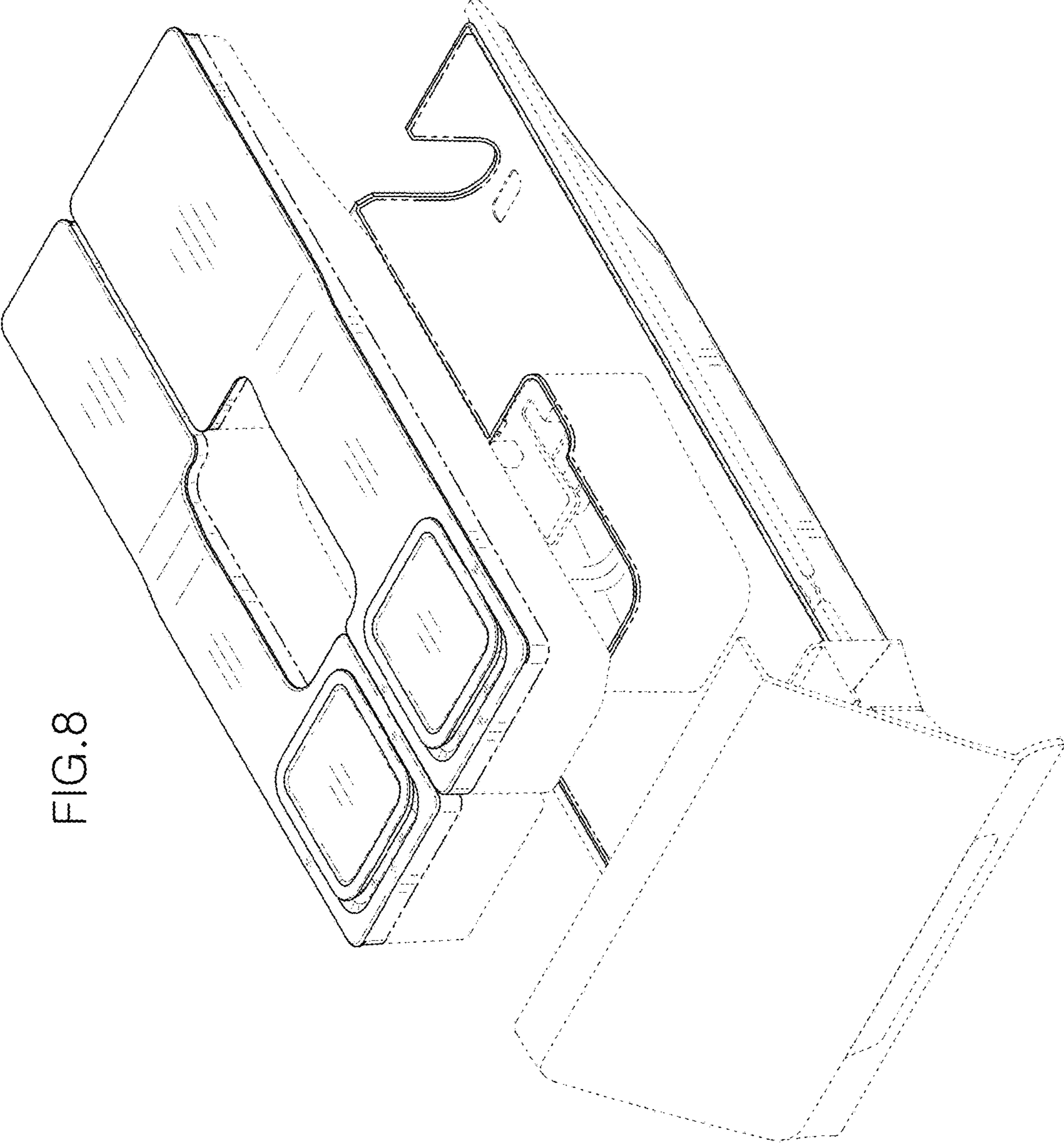


FIG.8