



US00D831282S

(12) **United States Design Patent** (10) **Patent No.:** **US D831,282 S**  
**Watson et al.** (45) **Date of Patent:** **\*\* Oct. 16, 2018**

(54) **STACKED TWISTED CUBICAL AQUARIUM**

(71) Applicant: **PetSmart Home Office, Inc.**, Phoenix, AZ (US)

(72) Inventors: **Jeffrey Stocker Watson**, Phoenix, AZ (US); **Tyler Joseph Lippert**, Phoenix, AZ (US)

(73) Assignee: **PetSmart Home Office, Inc.**, Phoenix, AZ (US)

(\*\*) Term: **15 Years**

(21) Appl. No.: **29/576,505**

(22) Filed: **Sep. 2, 2016**

(51) **LOC (11) Cl.** ..... **30-02**

(52) **U.S. Cl.**  
USPC ..... **D30/101**

(58) **Field of Classification Search**  
USPC ..... D30/101-106, 108; D9/516, 737, 745, D9/551; D11/145; 47/69, 86; 428/34.1, 428/34.4, 542.2  
CPC ..... A01K 63/00-63/02; A01K 63/003; A01K 63/006; Y10T 428/13; Y10T 428/131  
See application file for complete search history.

(56) **References Cited**

U.S. PATENT DOCUMENTS

D253,729 S \* 12/1979 Ward ..... D30/105  
D291,426 S \* 8/1987 Husbands ..... D11/145

D525,129 S \* 7/2006 Hutter ..... D9/502  
D537,753 S \* 3/2007 Belokin ..... D11/145  
D690,057 S \* 9/2013 Wehr ..... D21/714  
D792,657 S \* 7/2017 Xie ..... D30/101  
D795,505 S \* 8/2017 Yang ..... D30/101  
D795,506 S \* 8/2017 Yang ..... D30/101  
2015/0264899 A1 \* 9/2015 Kasner ..... A01K 63/003  
119/246

\* cited by examiner

*Primary Examiner* — Wan Laymon

*Assistant Examiner* — Clint A Samuel

(74) *Attorney, Agent, or Firm* — Duane Morris LLP

(57) **CLAIM**

The ornamental design for a stacked twisted cubical aquarium, as shown and described.

**DESCRIPTION**

FIG. 1 is a perspective view of the stacked twisted cubical aquarium.

FIG. 2 is a side view of the stacked twisted cubical aquarium.

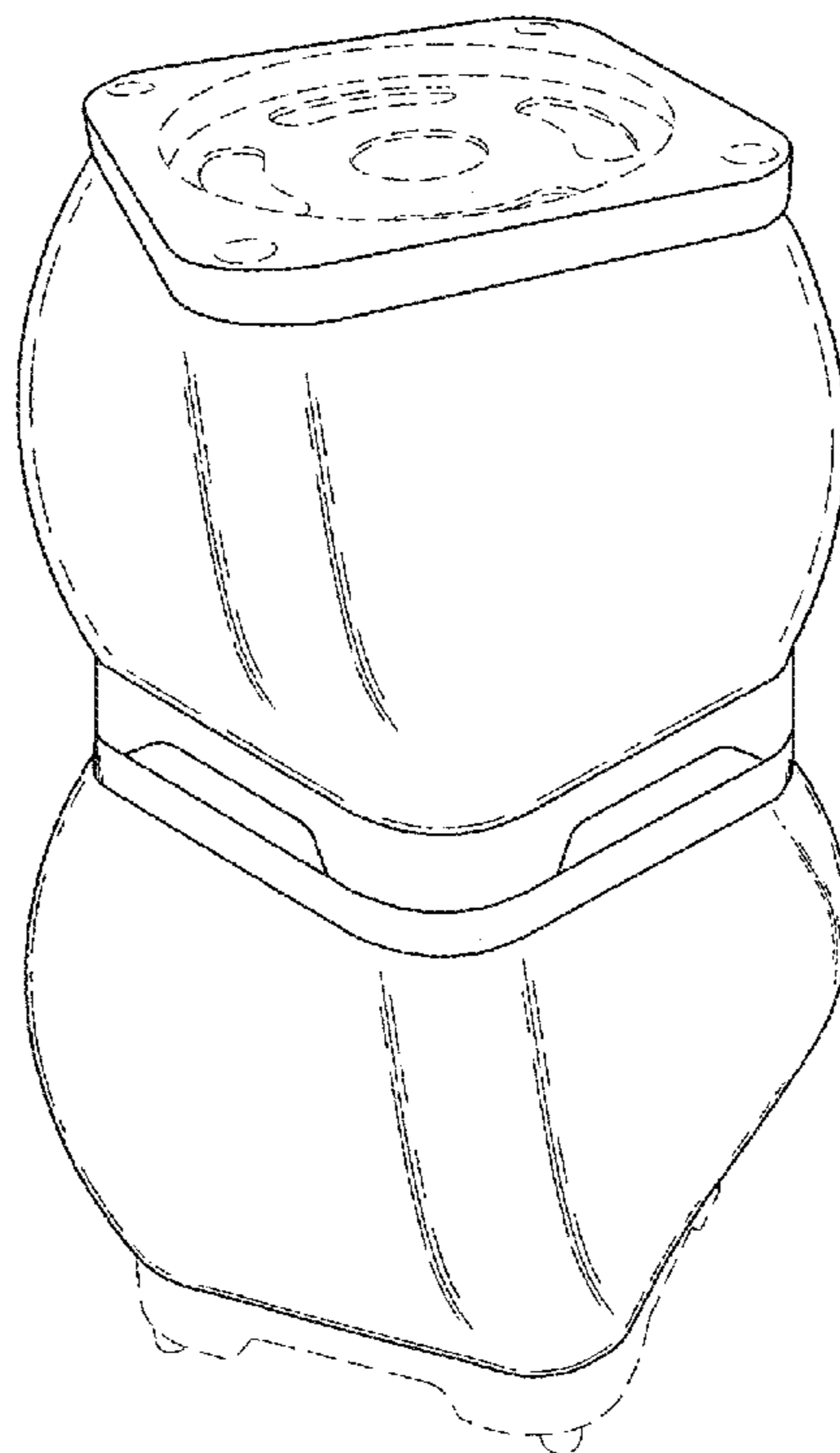
FIG. 3 is a top view of the stacked twisted cubical aquarium; and,

FIG. 4 is a bottom view of the stacked twisted cubical aquarium.

The broken lines in the drawings define boundary lines and form no part of the claimed design.

The left side, right side, front, and rear views are identical to the side view shown.

**1 Claim, 4 Drawing Sheets**



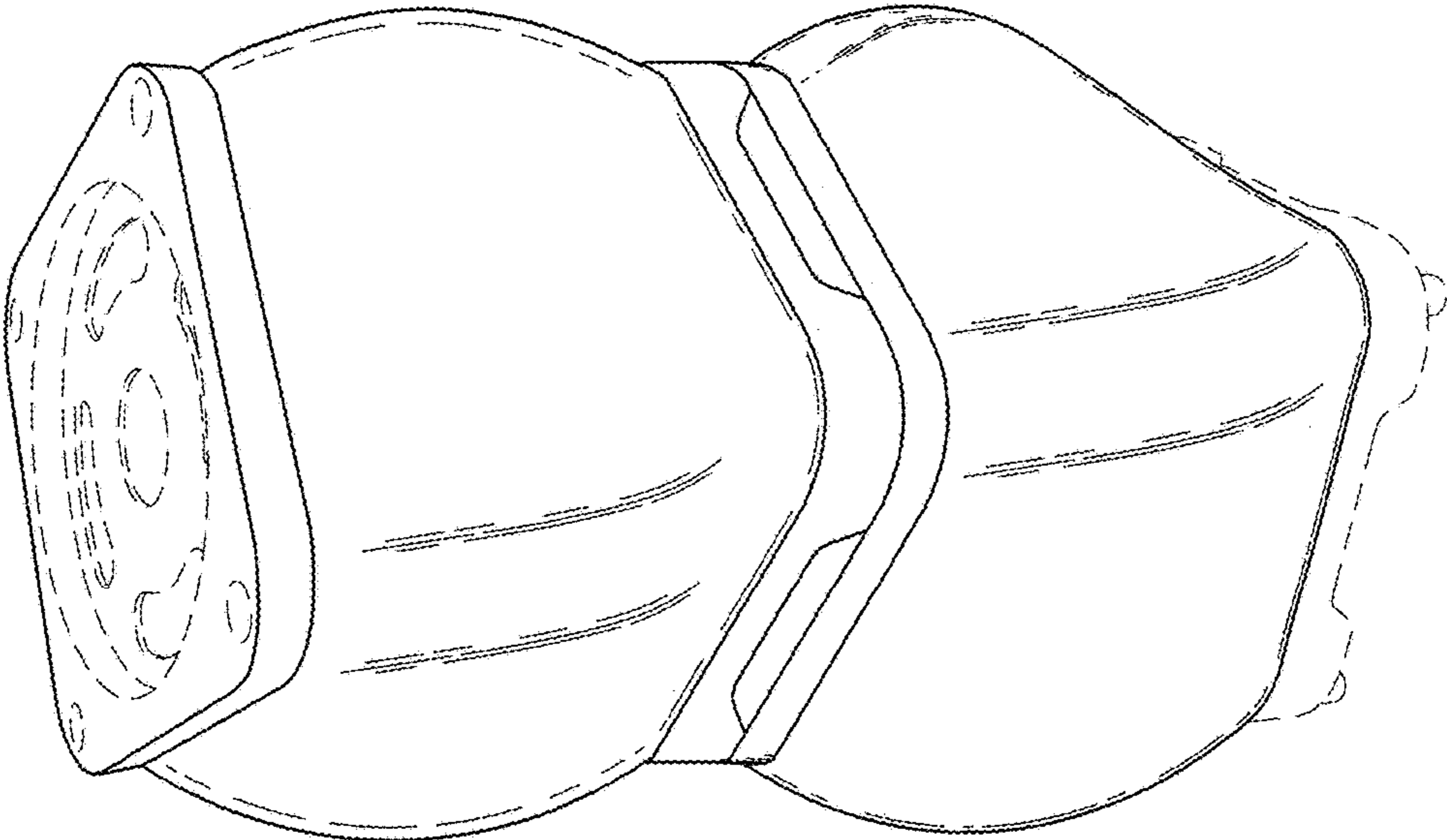


FIG. 1

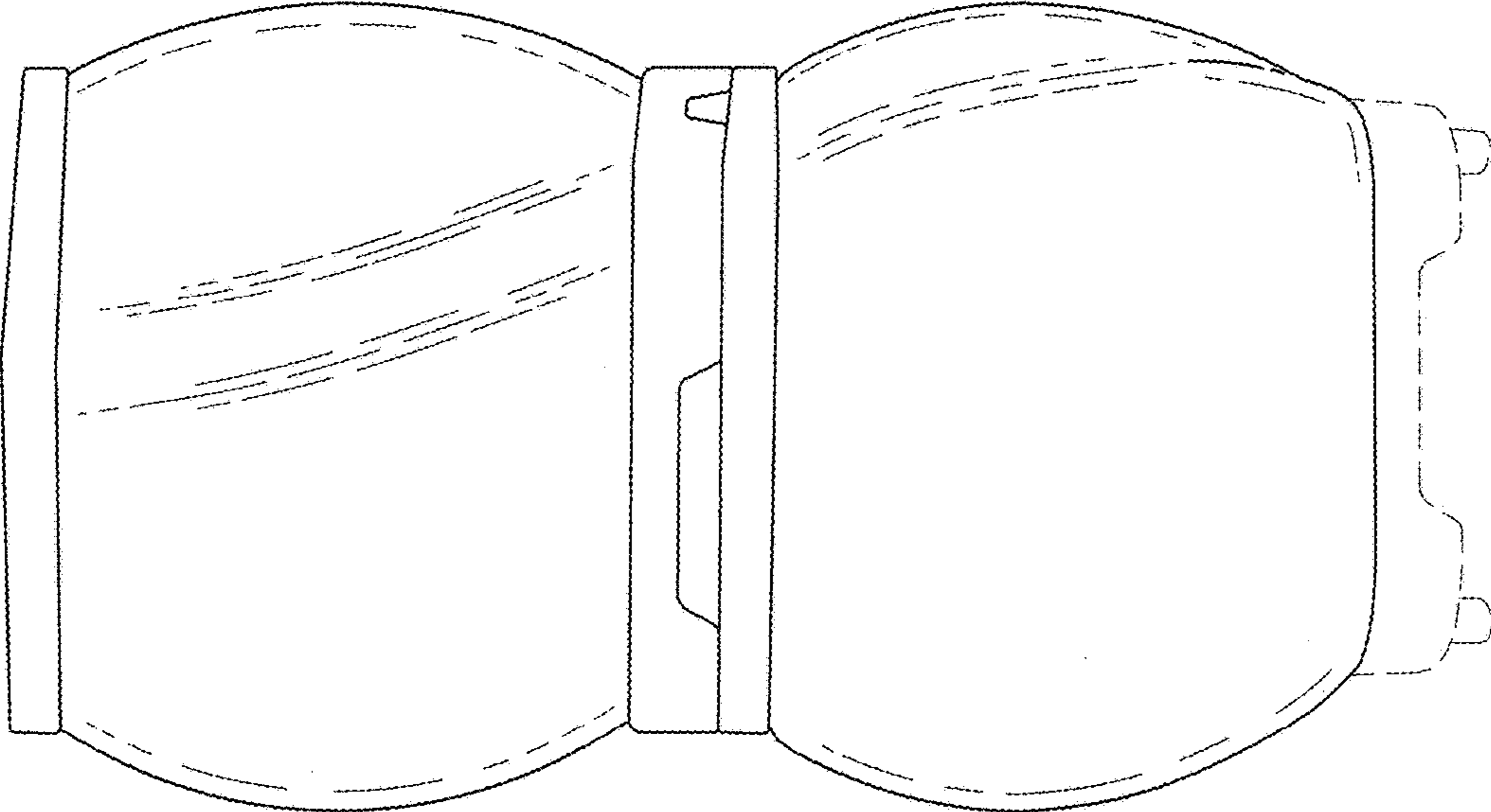


FIG. 2

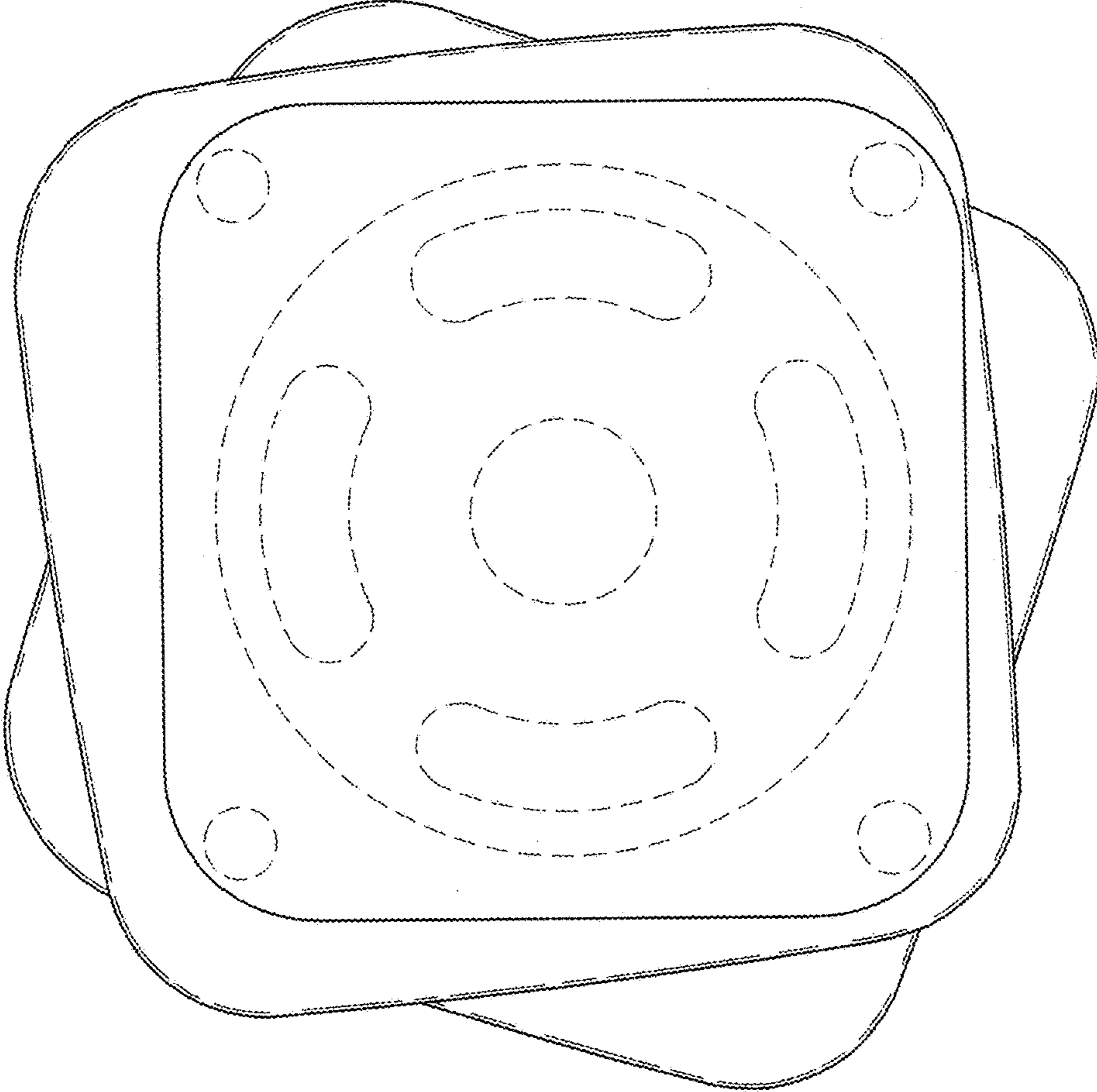


FIG. 3

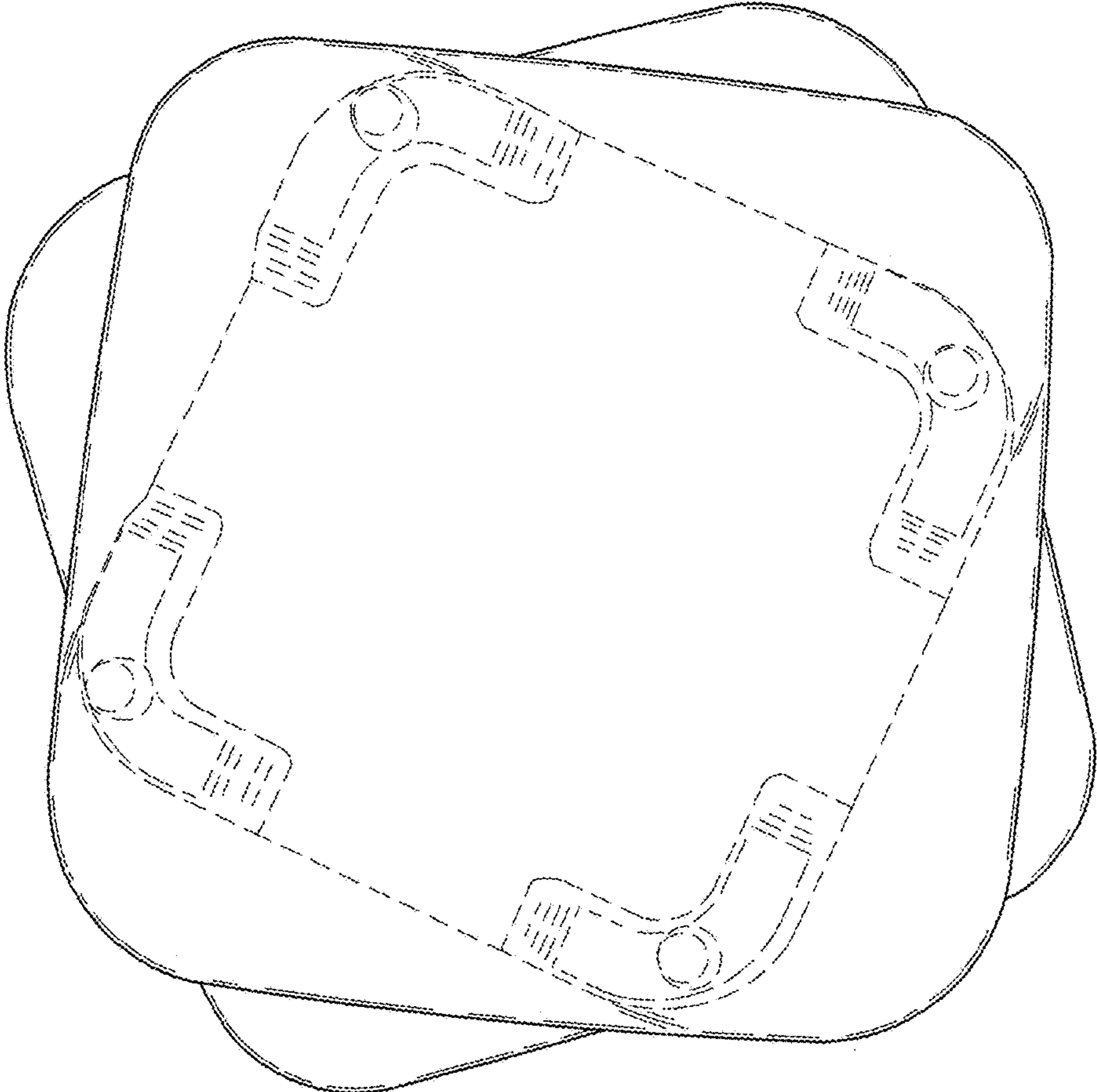


FIG. 4