



US00D831276S

(12) **United States Design Patent** (10) **Patent No.:** **US D831,276 S**
Pennington, Jr. et al. (45) **Date of Patent:** **** Oct. 16, 2018**

(54) **HARNESS**

(71) Applicant: **Hewlett-Packard Development Company, L.P.**, Houston, TX (US)
(72) Inventors: **John William Pennington, Jr.**, Palo Alto, CA (US); **Daniel Yoon**, Palo Alto, CA (US); **Ivy Tseng**, Palo Alto, CA (US); **Insun Hong**, Houston, TX (US); **Glenn A. Wong**, Redwood City, CA (US); **Kevin L. Massaro**, Houston, TX (US)
(73) Assignee: **Hewlett-Packard Development Company, L.P.**, Houston, TX (US)

(**) Term: **15 Years**

(21) Appl. No.: **29/612,525**

(22) Filed: **Aug. 1, 2017**

(51) **LOC (11) Cl.** **29-02**

(52) **U.S. Cl.**
USPC **D29/101.1**

(58) **Field of Classification Search**
USPC D29/100, 101.1-101.4, 122, 124; D2/626, 628, 629; D3/215, 218, 219, D3/221, 226, 322, 327; D24/190; 359/362, 519; 182/3, 4, 5, 6, 9, 133; 2/300, 310, 311; D10/111; 224/259, 224/576, 603, 606, 623, 627, 647; D21/683; D30/152; 119/770; 297/485
CPC A45F 5/00
See application file for complete search history.

(56) **References Cited**

U.S. PATENT DOCUMENTS

D528,657 S * 9/2006 Adams D24/128
D613,497 S * 4/2010 Pho D3/216
D683,952 S * 6/2013 Bettauer D3/216
D732,241 S * 6/2015 Couzyn D29/101.1

OTHER PUBLICATIONS

<https://www.theverge.com/circuitbreaker/2017/6/6/15744586/hp-omen-x-compact-desktop-virtual-reality-backpack-pc>; dated Jun. 6, 2017, 6 pages.

* cited by examiner

Primary Examiner — Randall H Gholson
(74) *Attorney, Agent, or Firm* — Morgan Lewis & Bockius

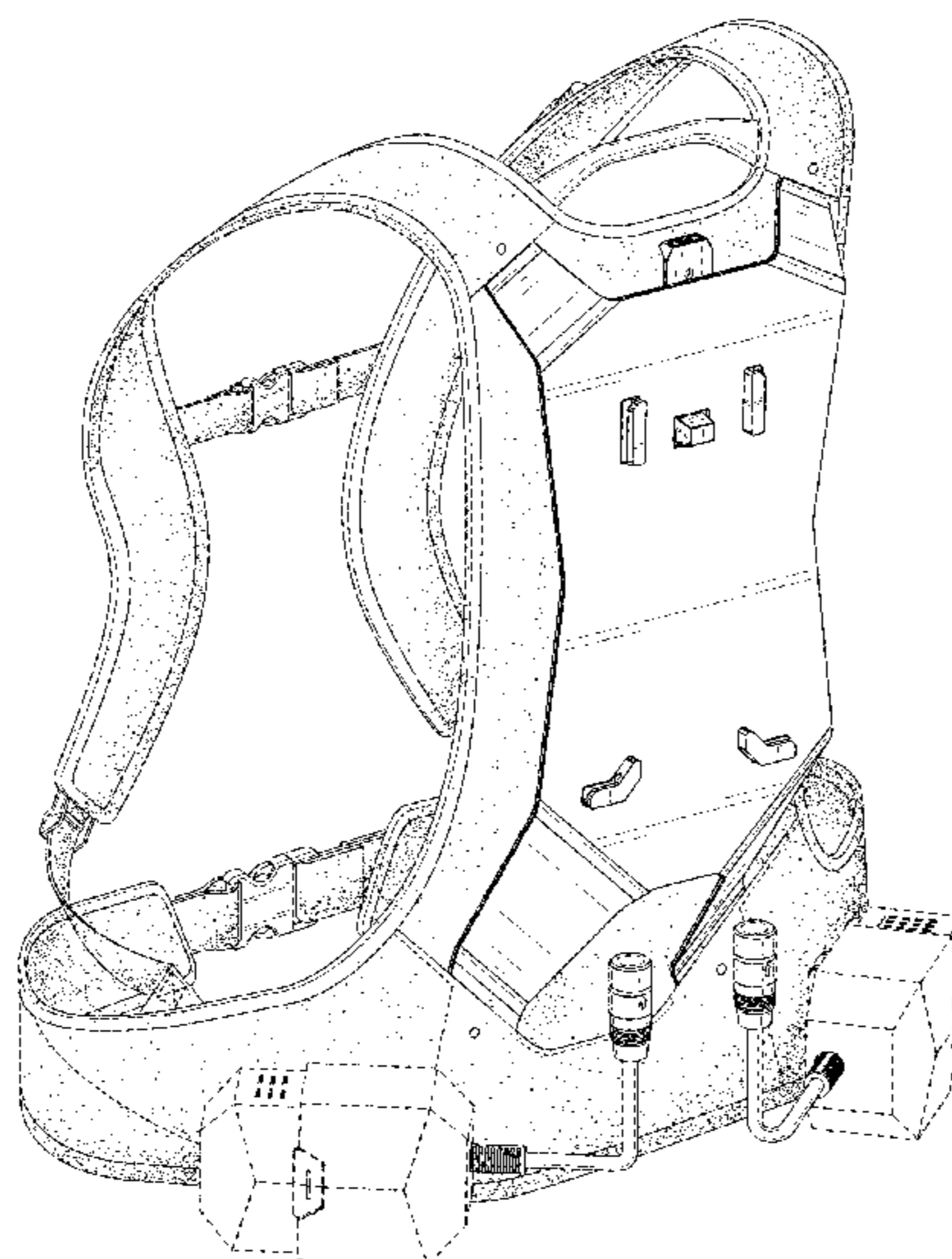
(57) **CLAIM**

The ornamental design for a harness, as shown and described.

DESCRIPTION

FIG. 1 is a top, rear, right perspective view of a first embodiment of a harness in accordance with our new design;
FIG. 2 is a front elevational view of the harness shown in FIG. 1;
FIG. 3 is a rear elevational view of the harness shown in FIG. 1;
FIG. 4 is a left-side elevational view of the harness shown in FIG. 1;
FIG. 5 is a right-side elevational view of the harness shown in FIG. 1;
FIG. 6 is a top plan view of the harness shown in FIG. 1;
FIG. 7 is a bottom plan view of the harness shown in FIG. 1; and,
FIG. 8 is a front elevational view of the harness shown in FIG. 1 with the straps in an open configuration.
The broken lines immediately adjacent the claim represent the bounds of the claimed design while all other broken lines are directed to environment and are for illustrative purposes only; the broken lines form no part of the claimed design.

1 Claim, 8 Drawing Sheets



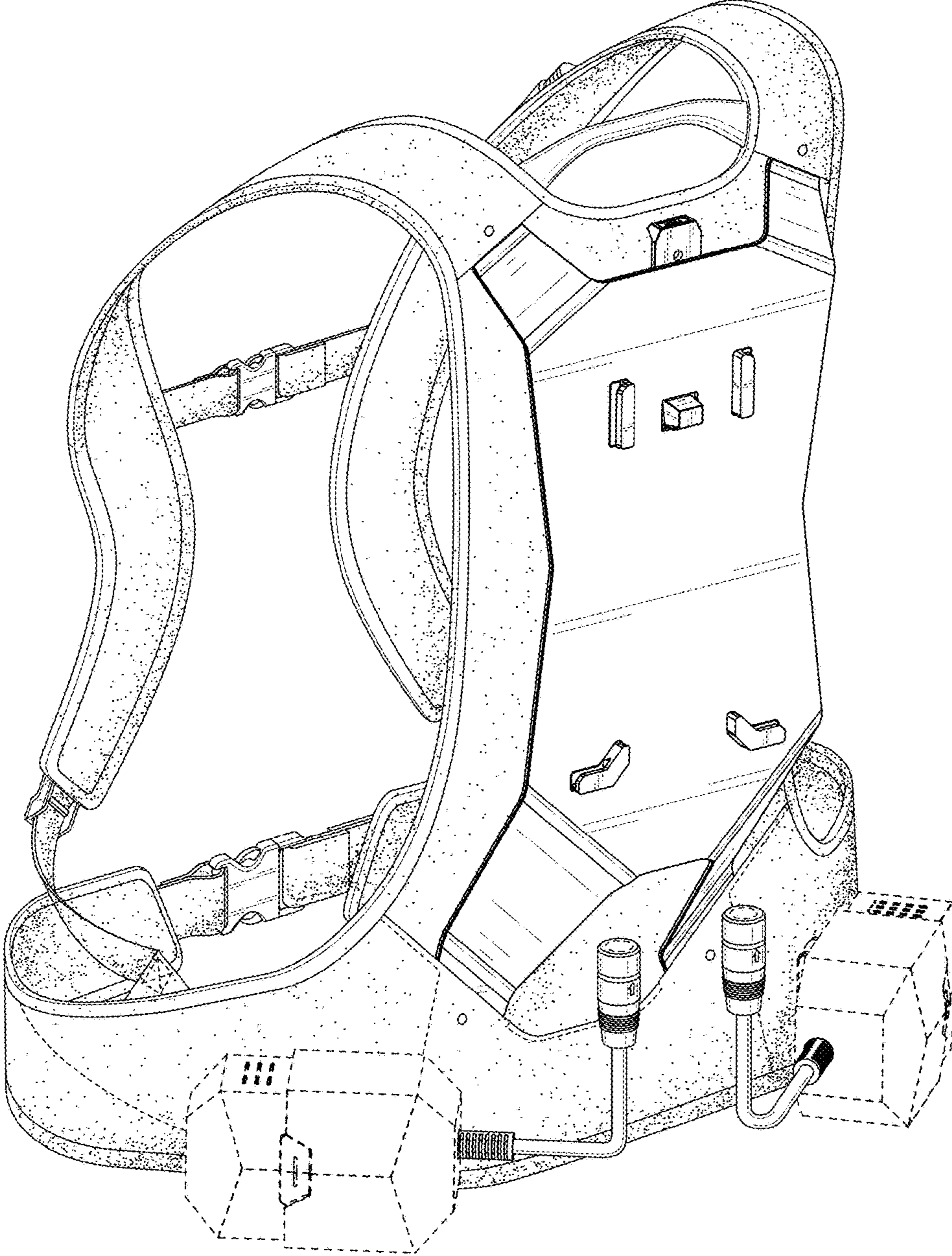


FIG. 1

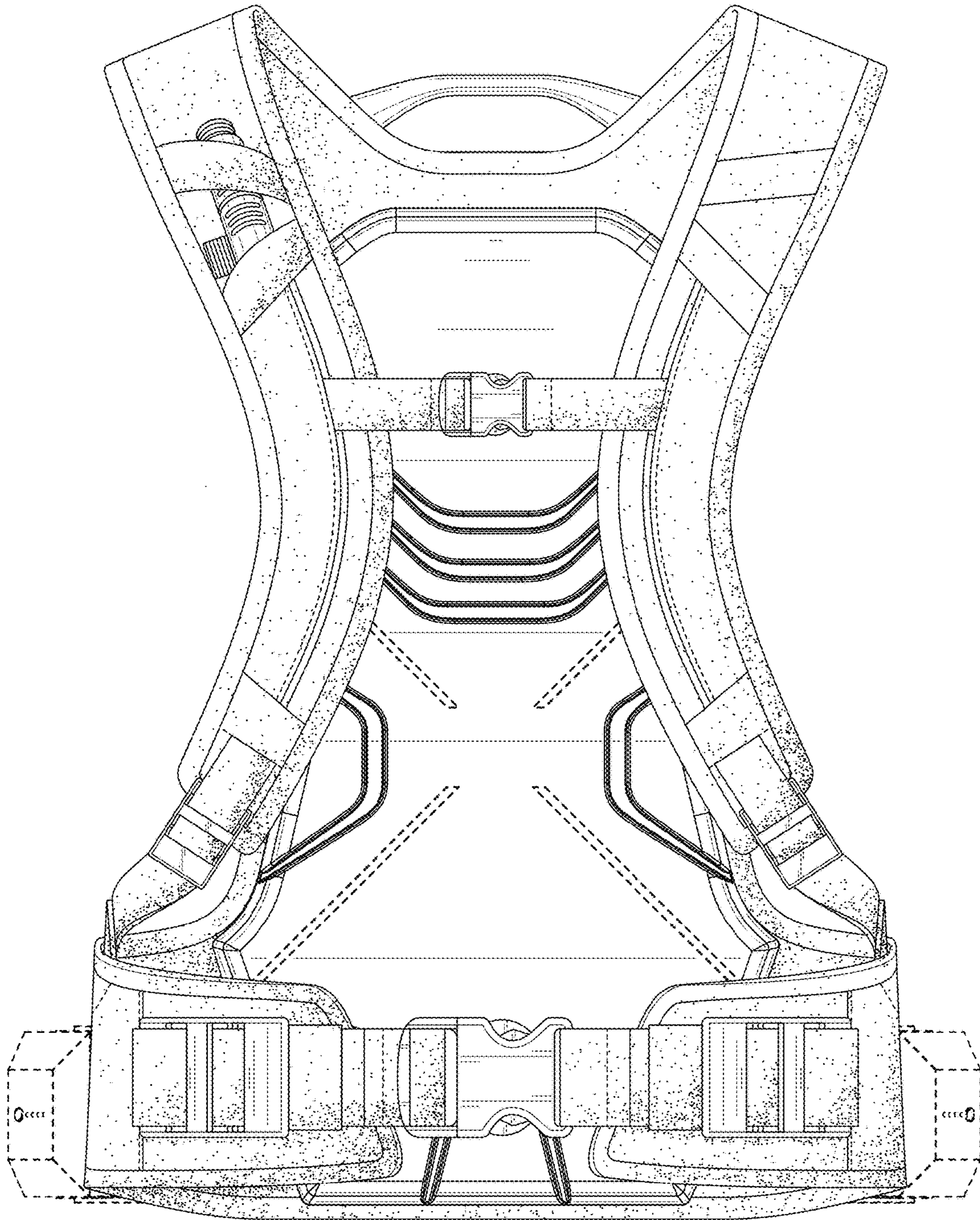


FIG. 2

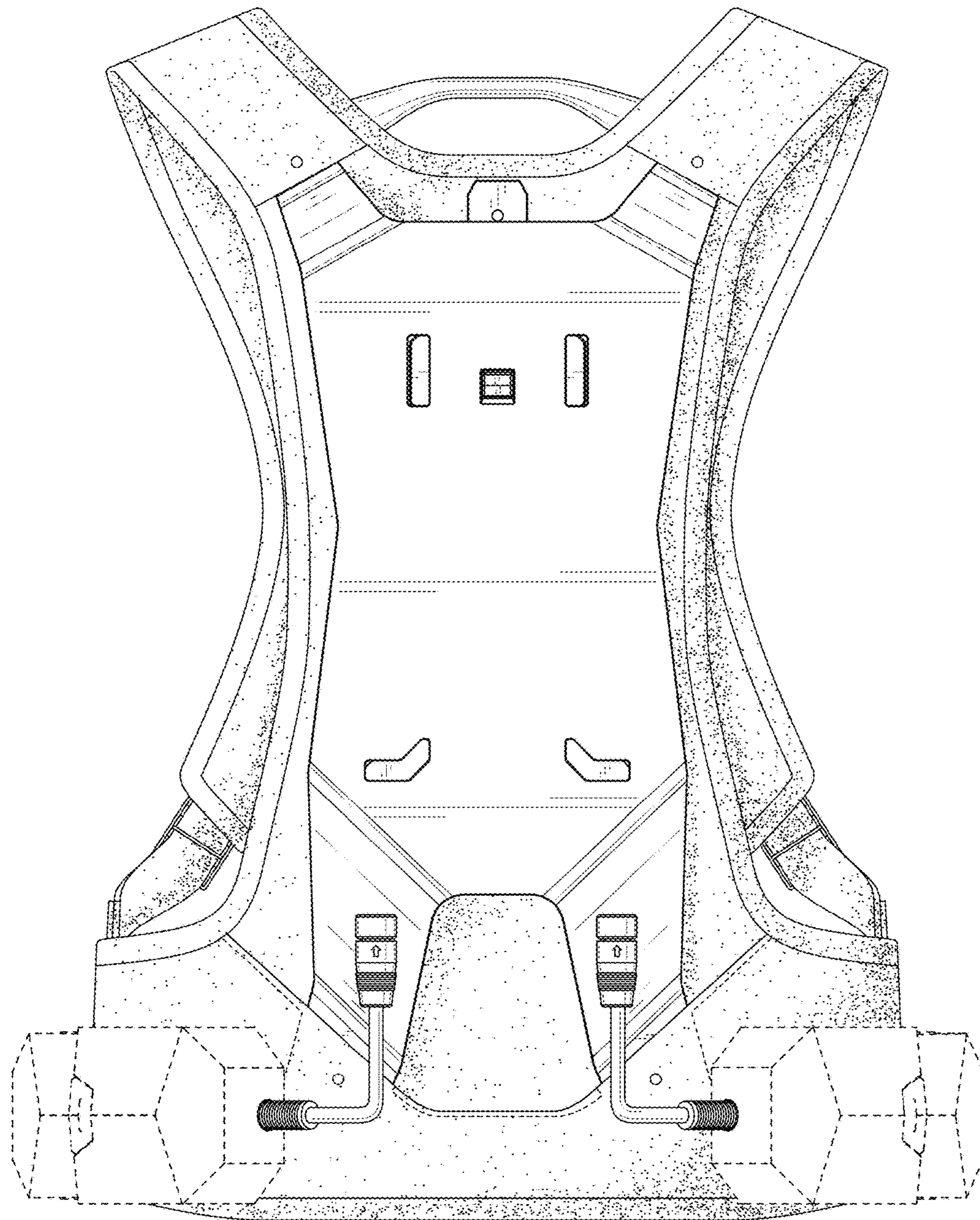


FIG. 3

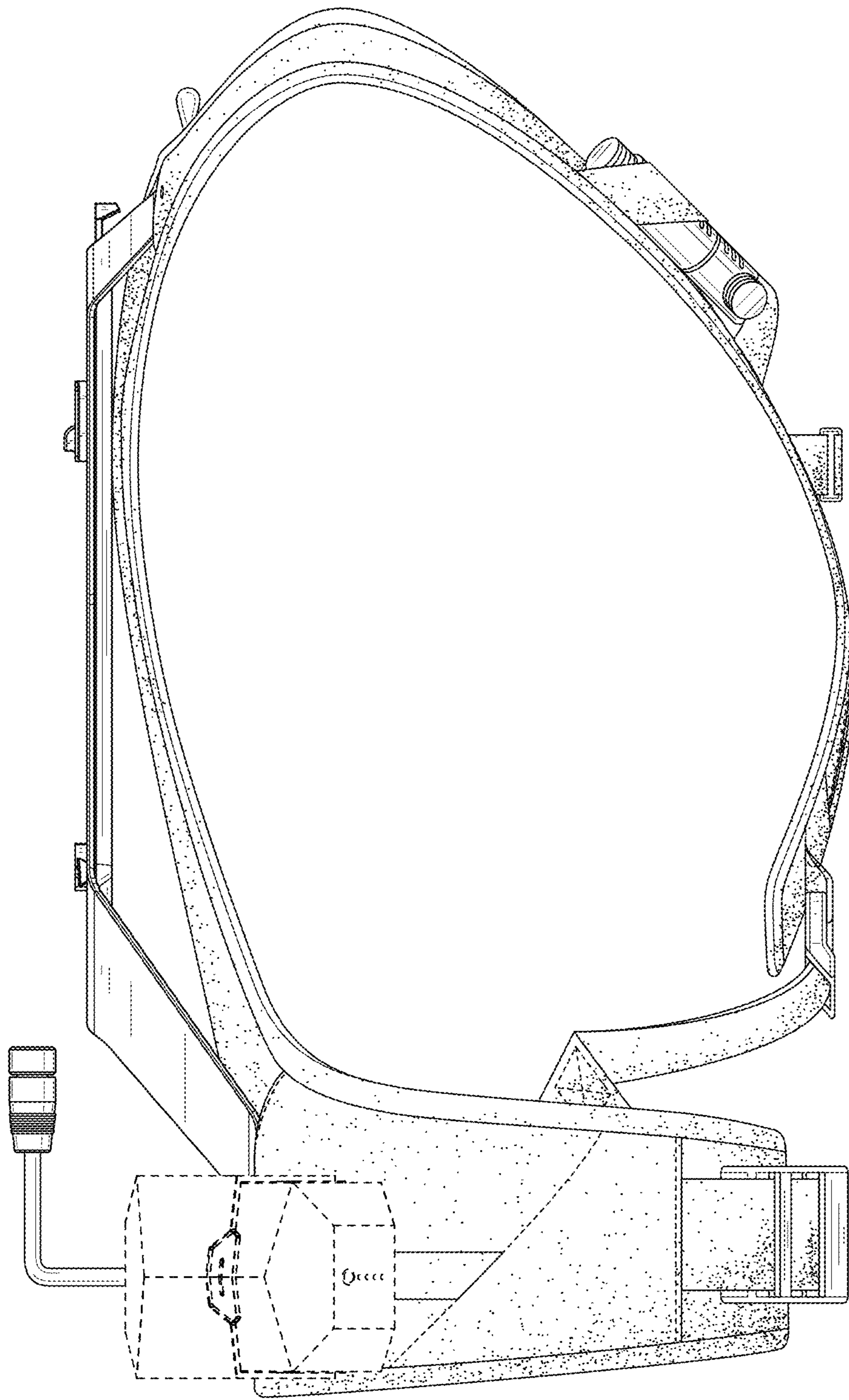


FIG. 4

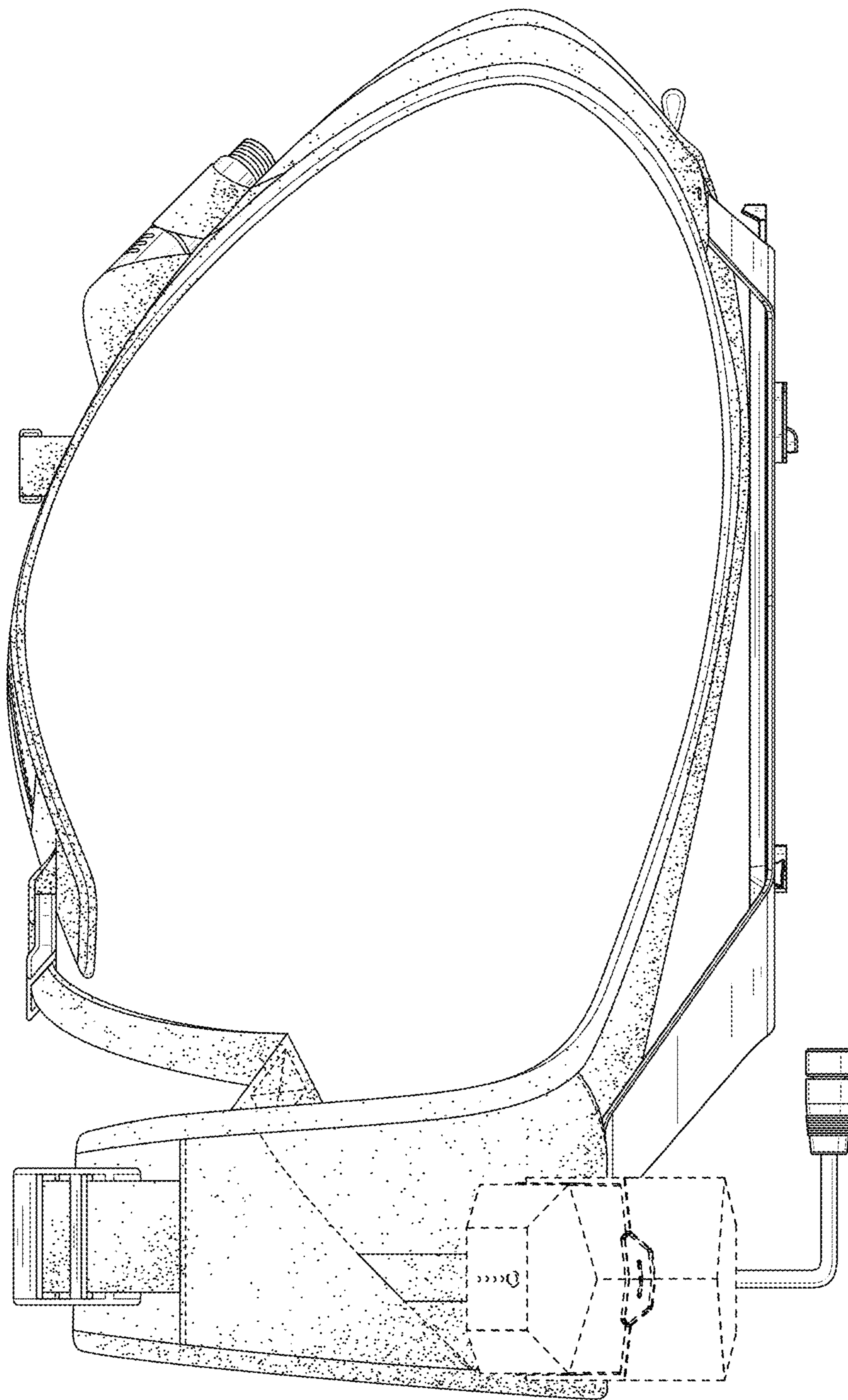


FIG. 5

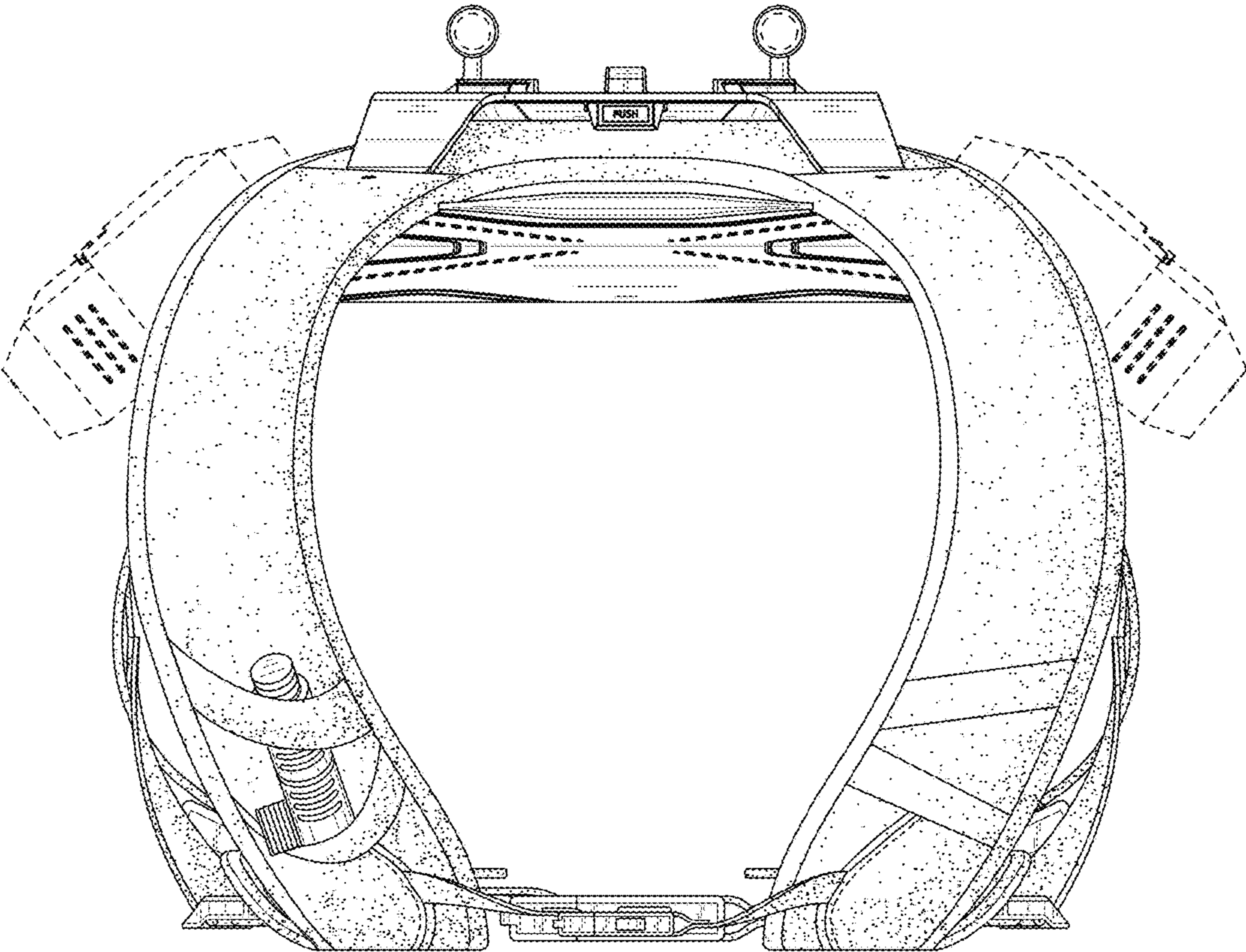


FIG. 6

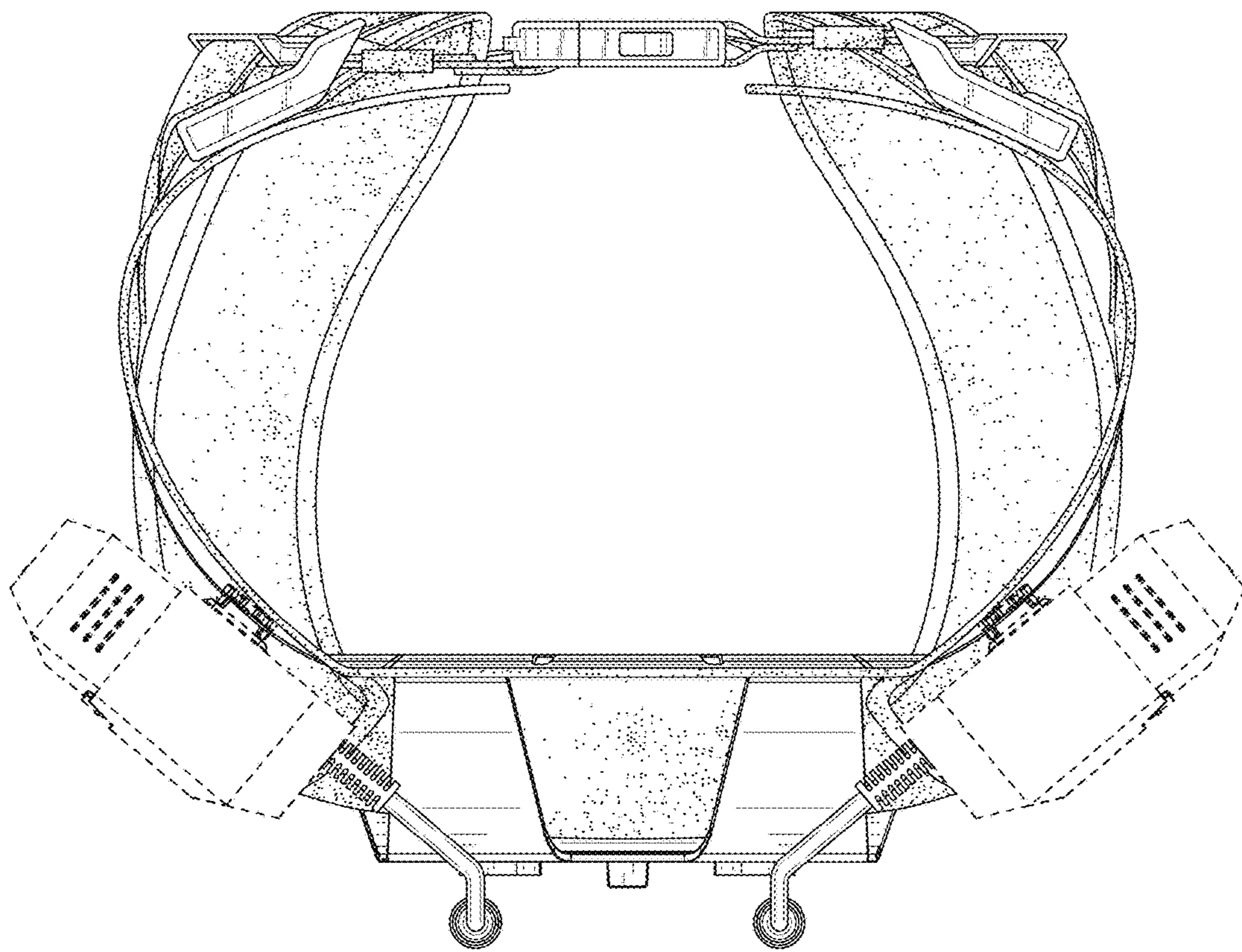


FIG. 7

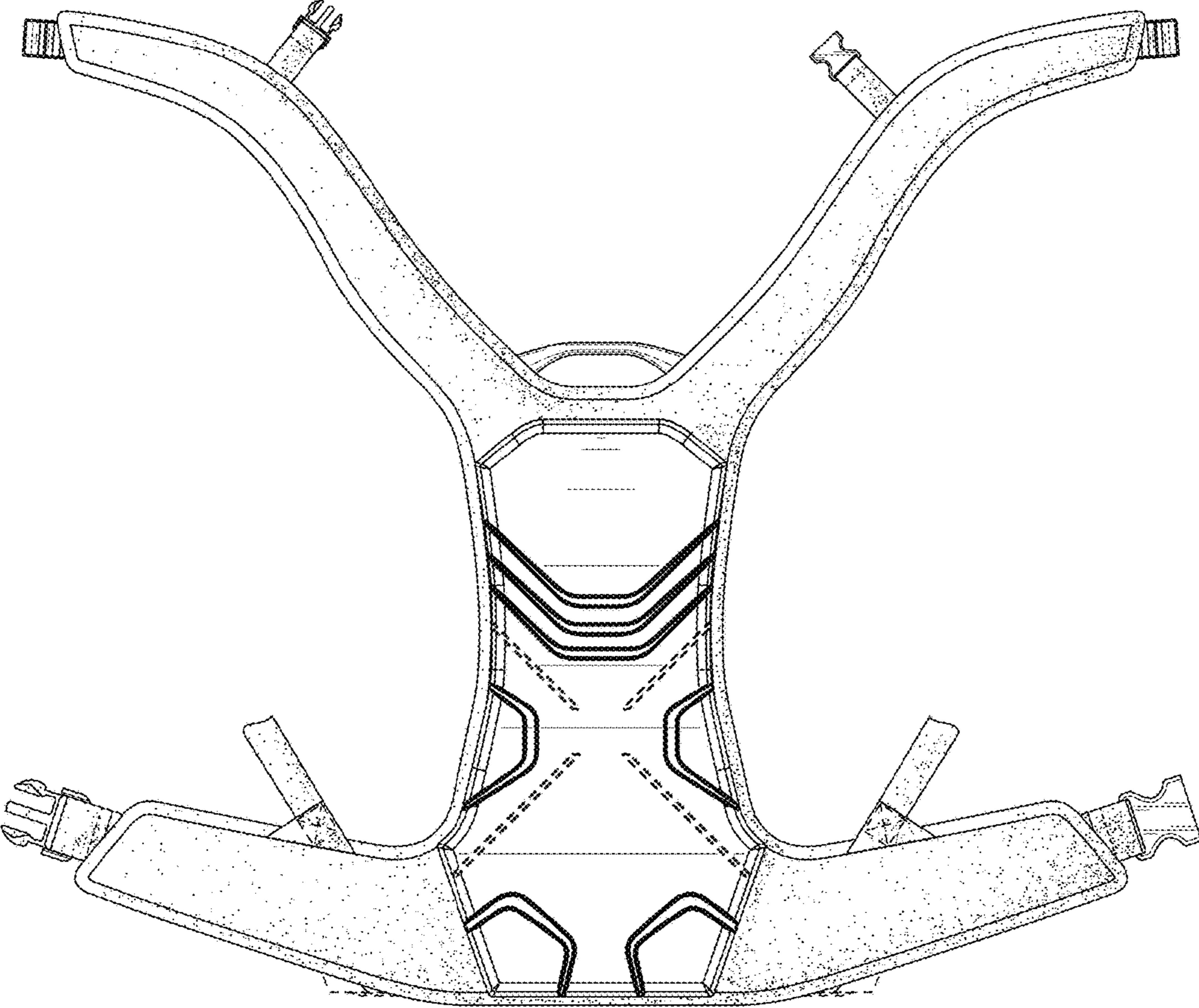


FIG. 8