



US00D831268S

(12) **United States Design Patent** (10) **Patent No.:** **US D831,268 S**  
**Johnson** (45) **Date of Patent:** **\*\* Oct. 16, 2018**

- (54) **CIRCULAR LIGHT**
- (71) Applicant: **London Johnson, Inc.**, New York, NY (US)
- (72) Inventor: **Brian P. Johnson**, New York, NY (US)
- (73) Assignee: **London Johnson, Inc.**, New York, NY (US)
- (\*\*) Term: **15 Years**
- (21) Appl. No.: **29/601,462**
- (22) Filed: **Apr. 21, 2017**

**Related U.S. Application Data**

- (63) Continuation of application No. 29/573,376, filed on Aug. 4, 2016.
- (51) **LOC (11) Cl.** ..... **26-99**
- (52) **U.S. Cl.**  
USPC ..... **D26/142; D26/113**
- (58) **Field of Classification Search**  
USPC .... D26/37, 72, 76, 80, 85, 89, 90, 113, 138, D26/142  
CPC ..... F21S 8/03; F21S 8/033; F21S 8/04; F21S 8/06; F21S 8/061; F21S 8/063; F21W 2131/301; F21V 21/08; F21V 21/0808; F21V 21/096; F21V 21/0965  
See application file for complete search history.

**References Cited**

**U.S. PATENT DOCUMENTS**

1,561,554 A	11/1925	Little	
D266,958 S *	11/1982	Gernhardt	D26/92
D392,407 S *	3/1998	Johnson	D26/104
D443,713 S	6/2001	Benensohn	
D484,270 S	12/2003	Yiu	
D526,340 S *	8/2006	Hodgson	D16/135
D544,117 S	6/2007	Coushaine	

D544,618 S	6/2007	Coushaine	
D561,925 S	2/2008	Levine	
D577,458 S *	9/2008	Chan	D26/104
D580,085 S *	11/2008	Svensson	D26/71
D581,081 S	11/2008	Mier-Langner	
D583,091 S *	12/2008	Benensohn	D26/89
D607,600 S *	1/2010	Keith	D26/104
D628,739 S *	12/2010	Lu	D26/113
D657,090 S *	4/2012	Kaule	D26/138
D737,497 S *	8/2015	Burgess	D26/113
D745,210 S *	12/2015	Serwacki	D26/138
D756,556 S *	5/2016	Bryant	D26/138
D773,102 S	11/2016	Meise	
D773,726 S *	12/2016	Sonneman	D26/142

(Continued)

**OTHER PUBLICATIONS**

Brilliant Evolution LED White Puck Light (3-Pack) No. BRRC 133 found at homedepot.com visited Feb. 5, 2018. (Year: 2018).\*

(Continued)

*Primary Examiner* — Clare E Heflin

(74) *Attorney, Agent, or Firm* — Perkins Coie LLP

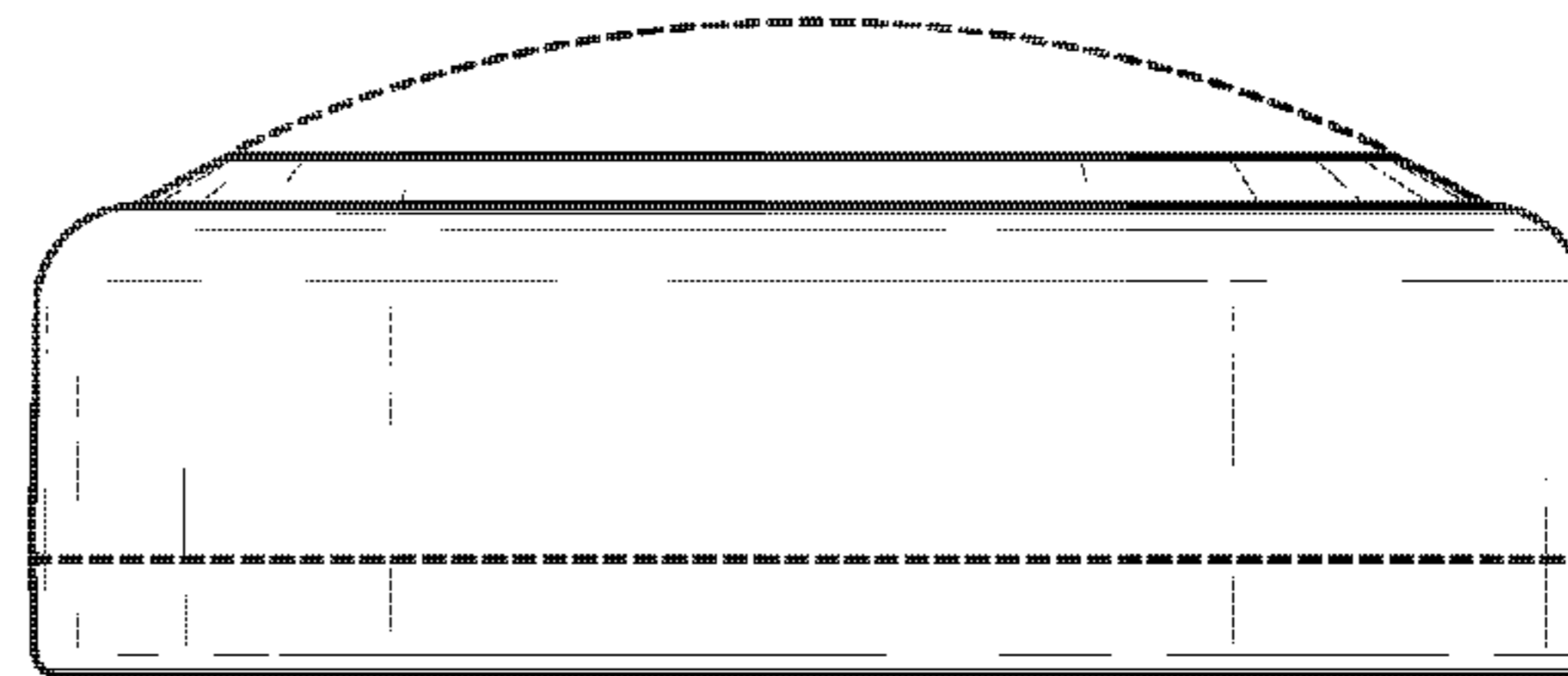
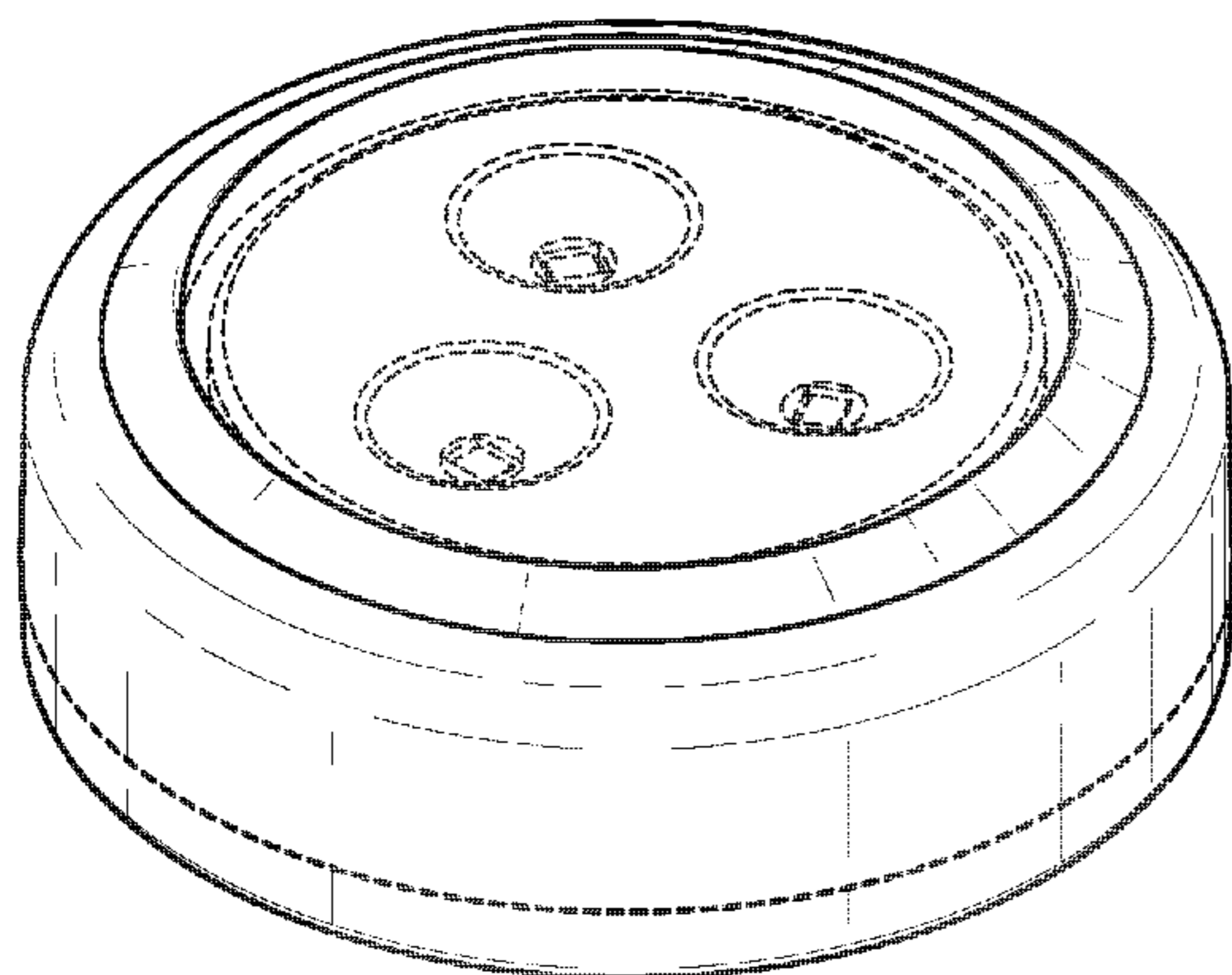
(57) **CLAIM**

The ornamental design for a circular light, as shown and described.

**DESCRIPTION**

FIG. 1 is a perspective view of a circular light showing my design, as viewed from the top and front.  
 FIG. 2 is a front profile view thereof.  
 FIG. 3 is a back profile view thereof.  
 FIG. 4 is a first side profile view thereof.  
 FIG. 5 is a second side profile view thereof.  
 FIG. 6 is a top plan view thereof; and,  
 FIG. 7 is a bottom plan view thereof.  
 The details shown in broken lines illustrate features that form no part of the claimed design.

**1 Claim, 3 Drawing Sheets**



(56)

**References Cited**

U.S. PATENT DOCUMENTS

2006/0250789 A1 11/2006 Coushaine  
2007/0047224 A1 3/2007 Lee  
2008/0247160 A1 10/2008 Jiang  
2009/0059576 A1 3/2009 Coushaine  
2009/0086474 A1 4/2009 Chou  
2009/0097238 A1 4/2009 Cousaine  
2009/0279292 A1 11/2009 Mier-Langner  
2011/0128723 A1 6/2011 Coleman  
2011/0255274 A1 10/2011 Coleman  
2014/0313700 A1 10/2014 Connell  
2017/0248291 A1 8/2017 Hsu

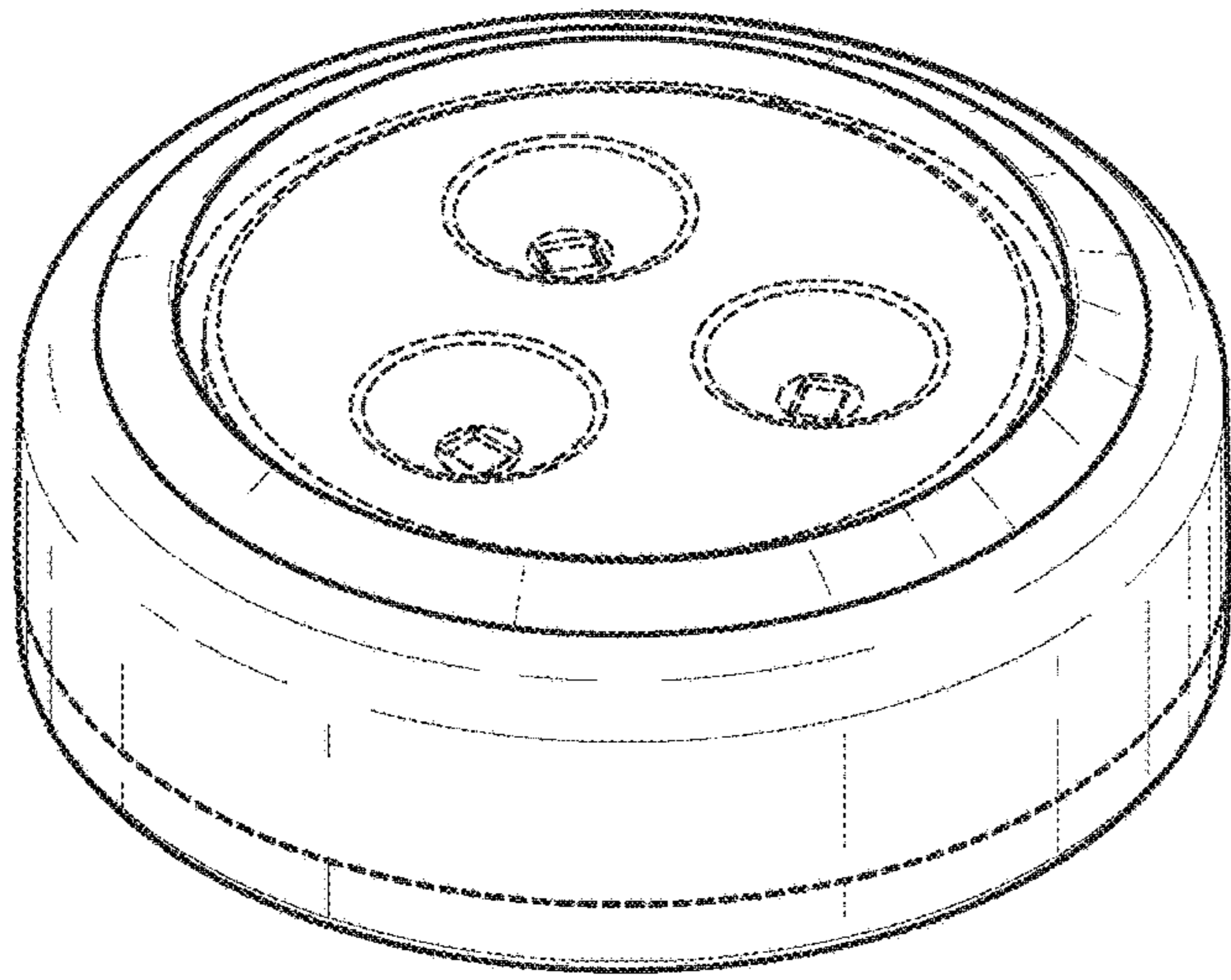
OTHER PUBLICATIONS

Commercial Electric 2.99 in. LED White Battery Operated Puck Light (3-Pack), Model No. BA002 WH, found at homedepot.com, visited Feb. 5, 2018 (Year: 2018).\*

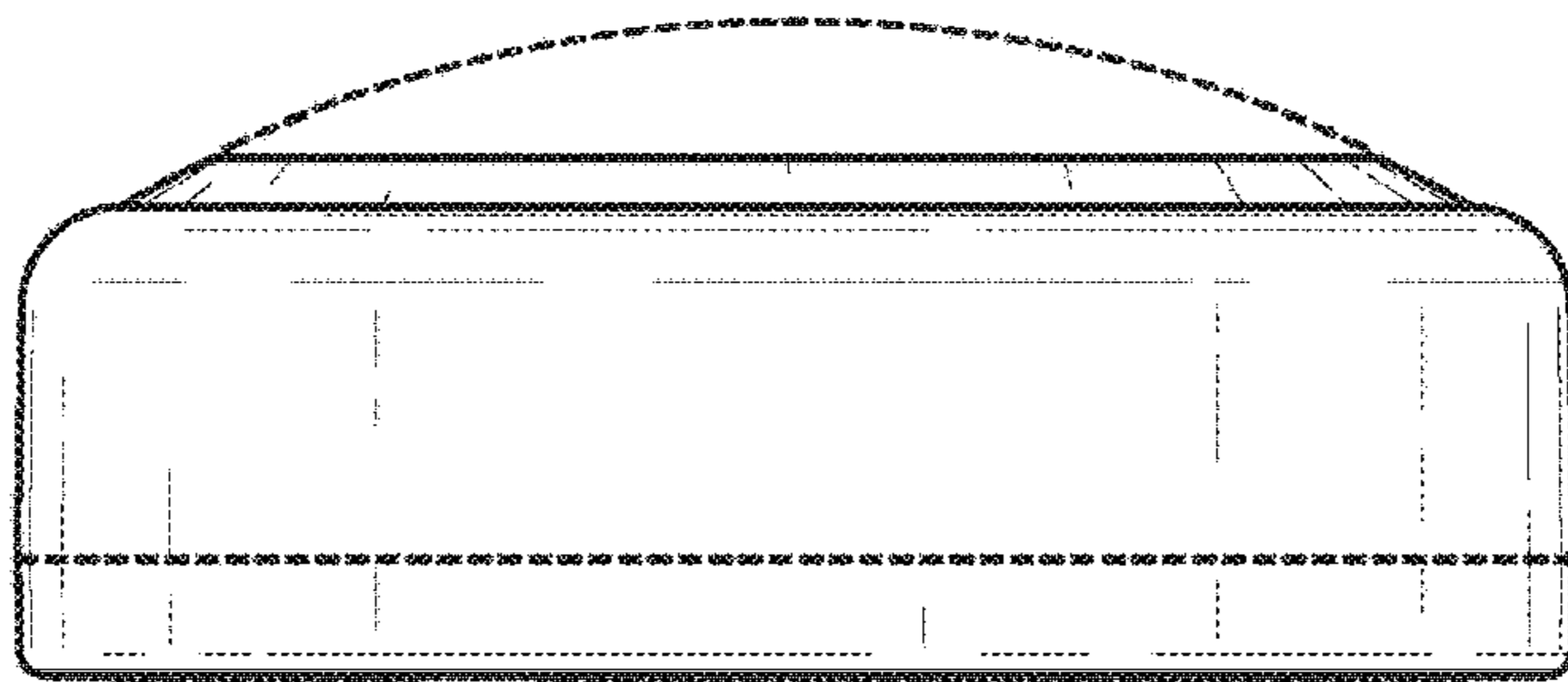
Under Cabinet Puck Light—Lighting Avenue SKU: UHD285-UGE1049 by Nu Lighting and Living. Found at nulighting.com.au visited Feb. 20, 2018 (Year: 2018).\*

U.S. Appl. No. 29/573,376, filed Aug. 4, 2016, Brian P. Johnson.  
U.S. Appl. No. 29/629,537, filed Dec. 13, 2017, Brian P. Johnson.  
Brilliant Evolution LED White Puck (3-Pack) No. BRRC 133 found at homedepot.com visited Feb. 5, 2018 (Year: 2018).

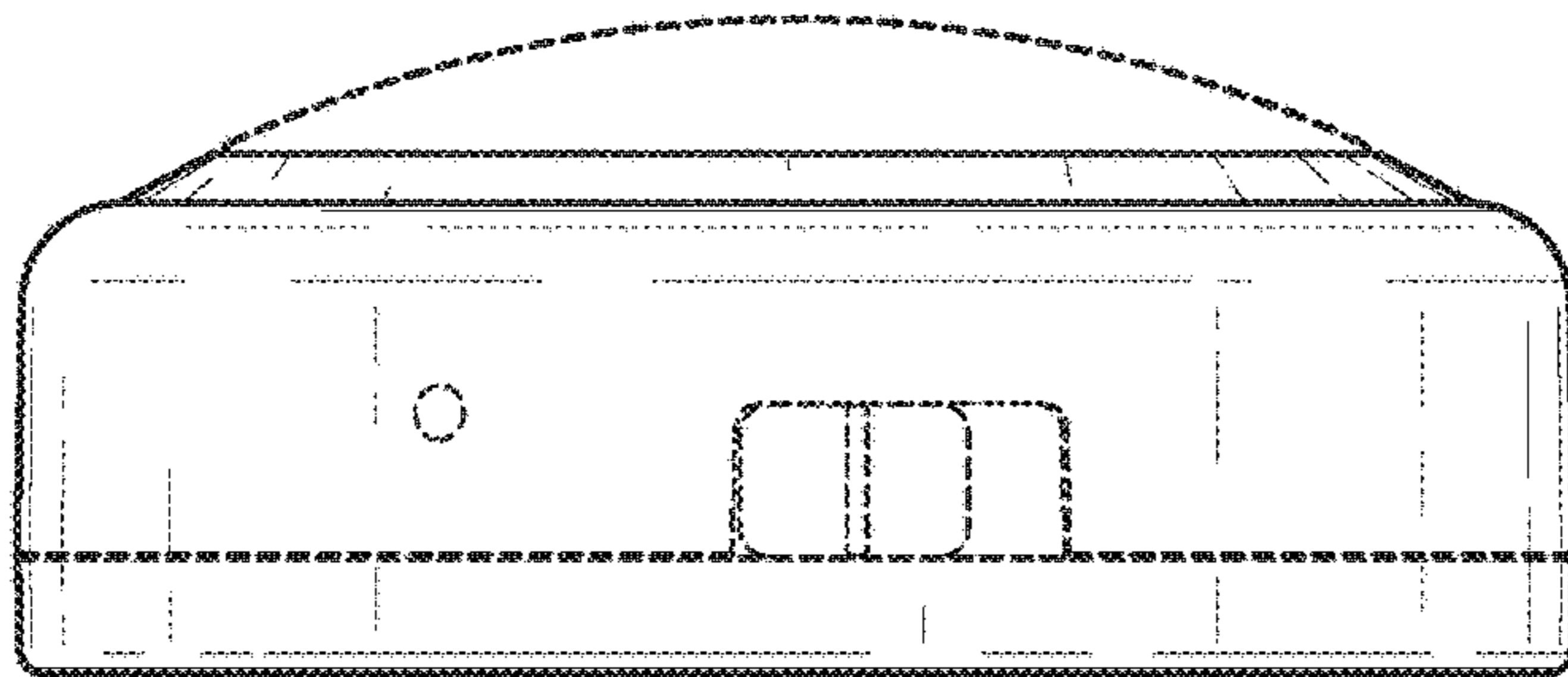
\* cited by examiner



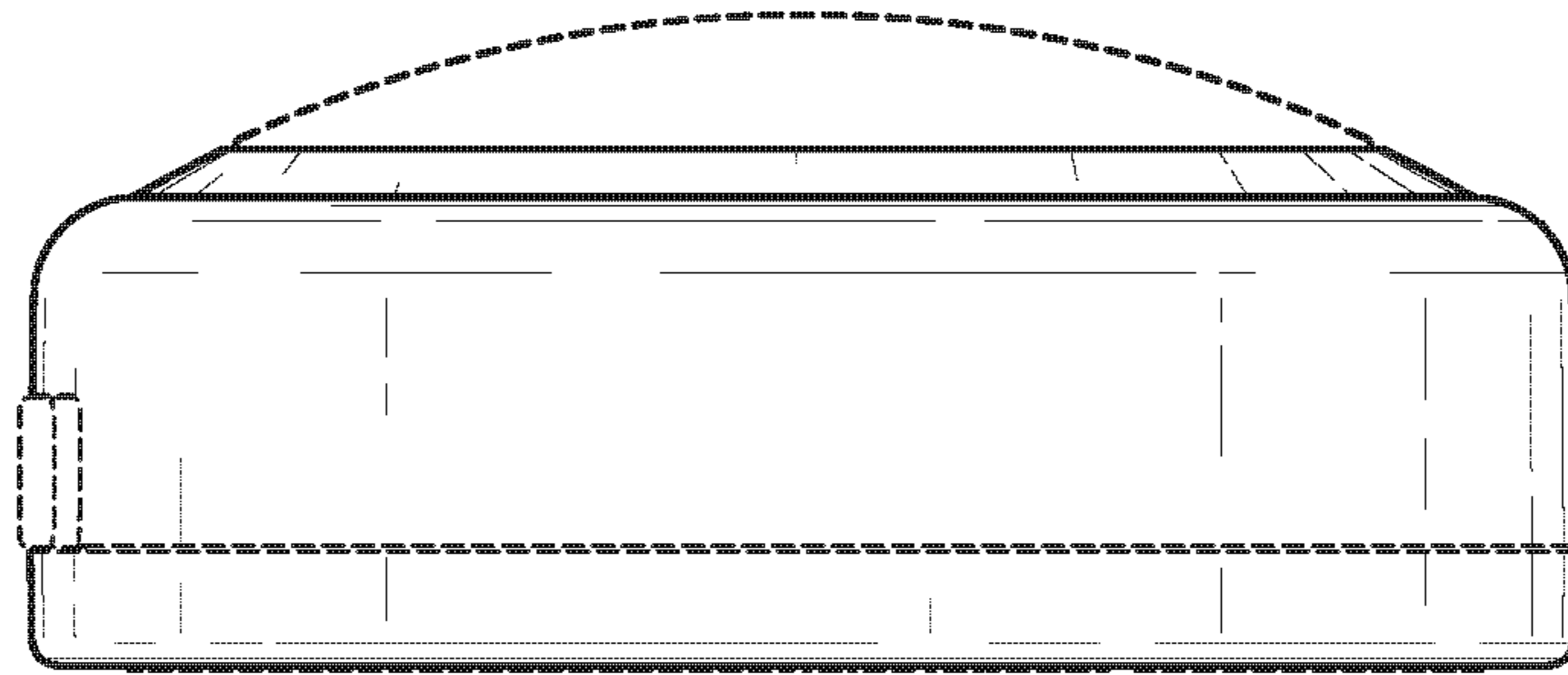
*Fig. 1*



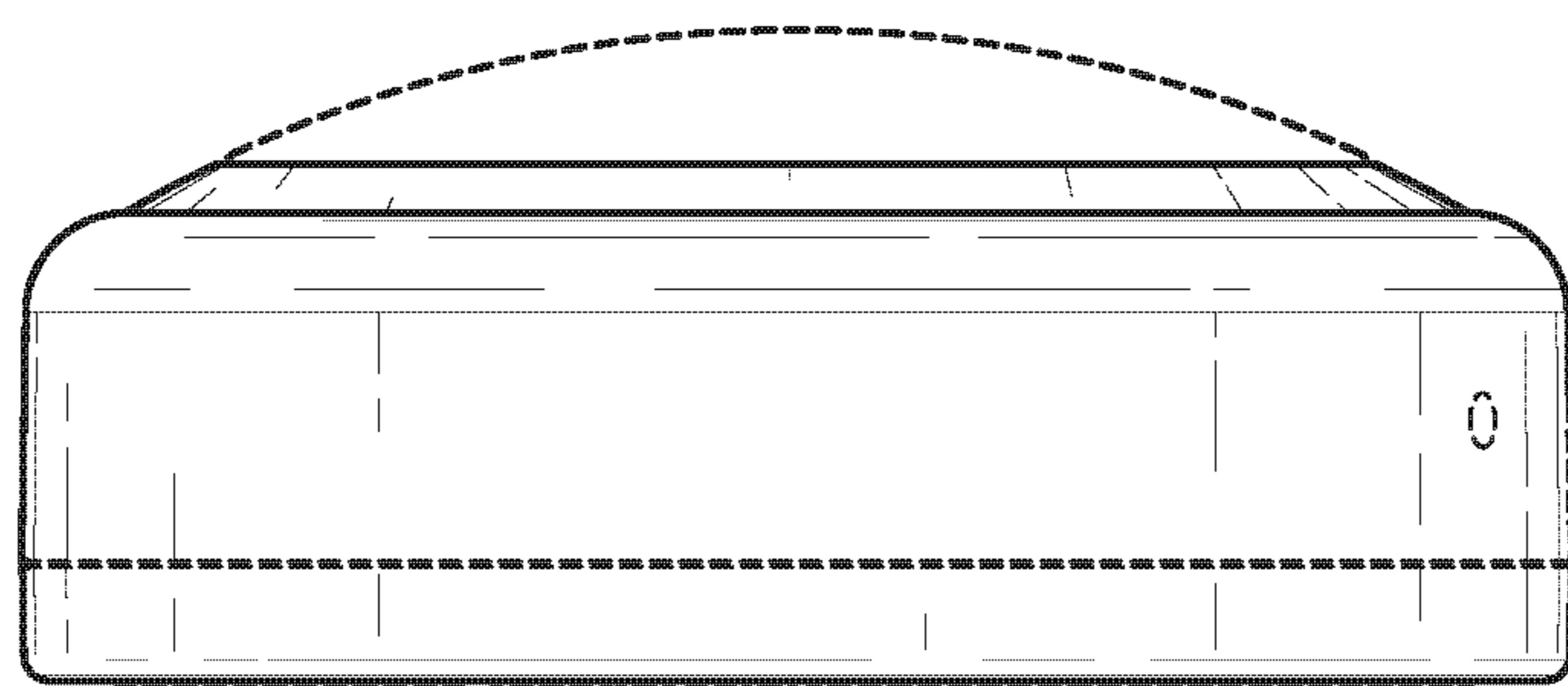
*Fig. 2*



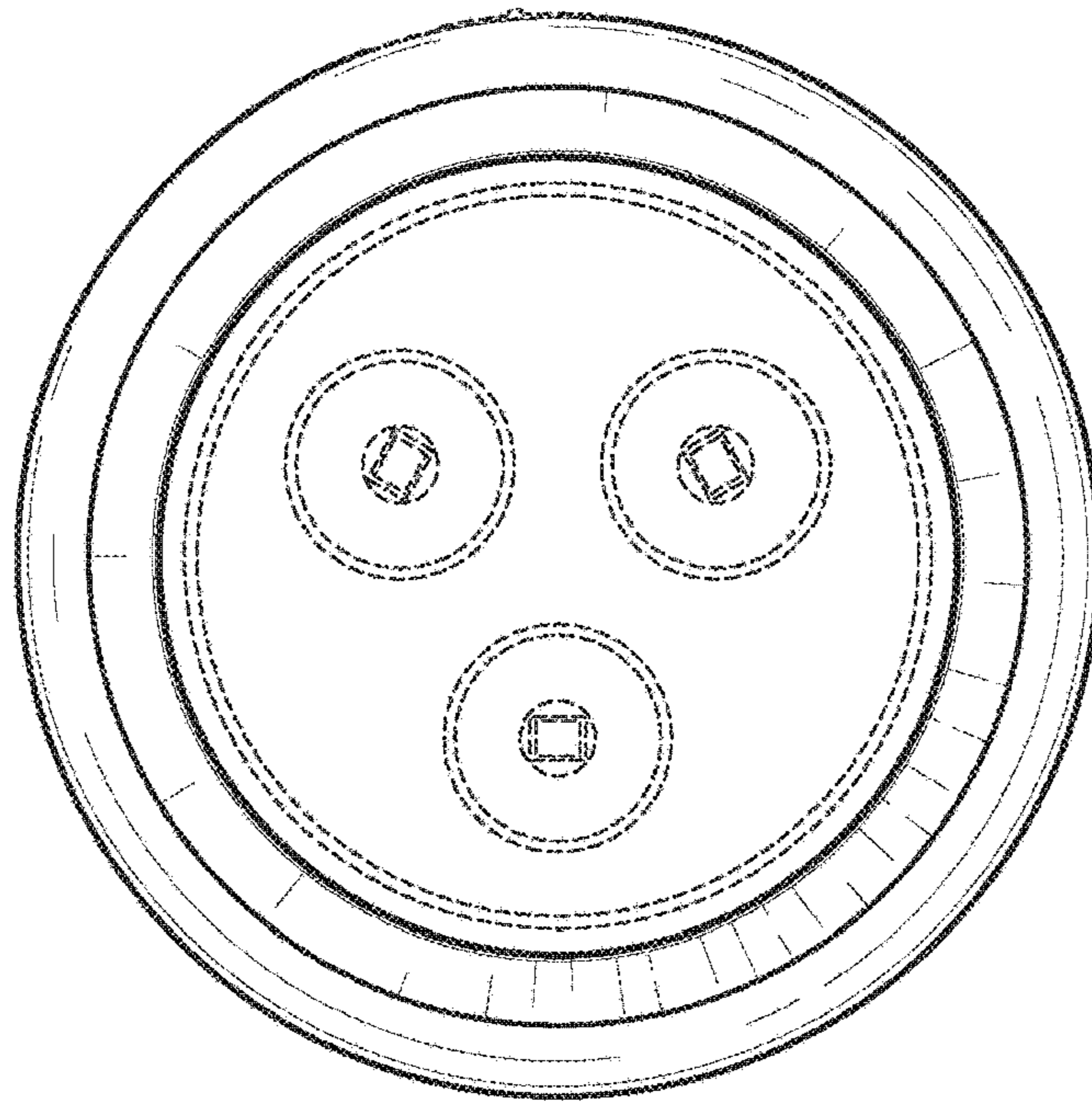
*Fig. 3*



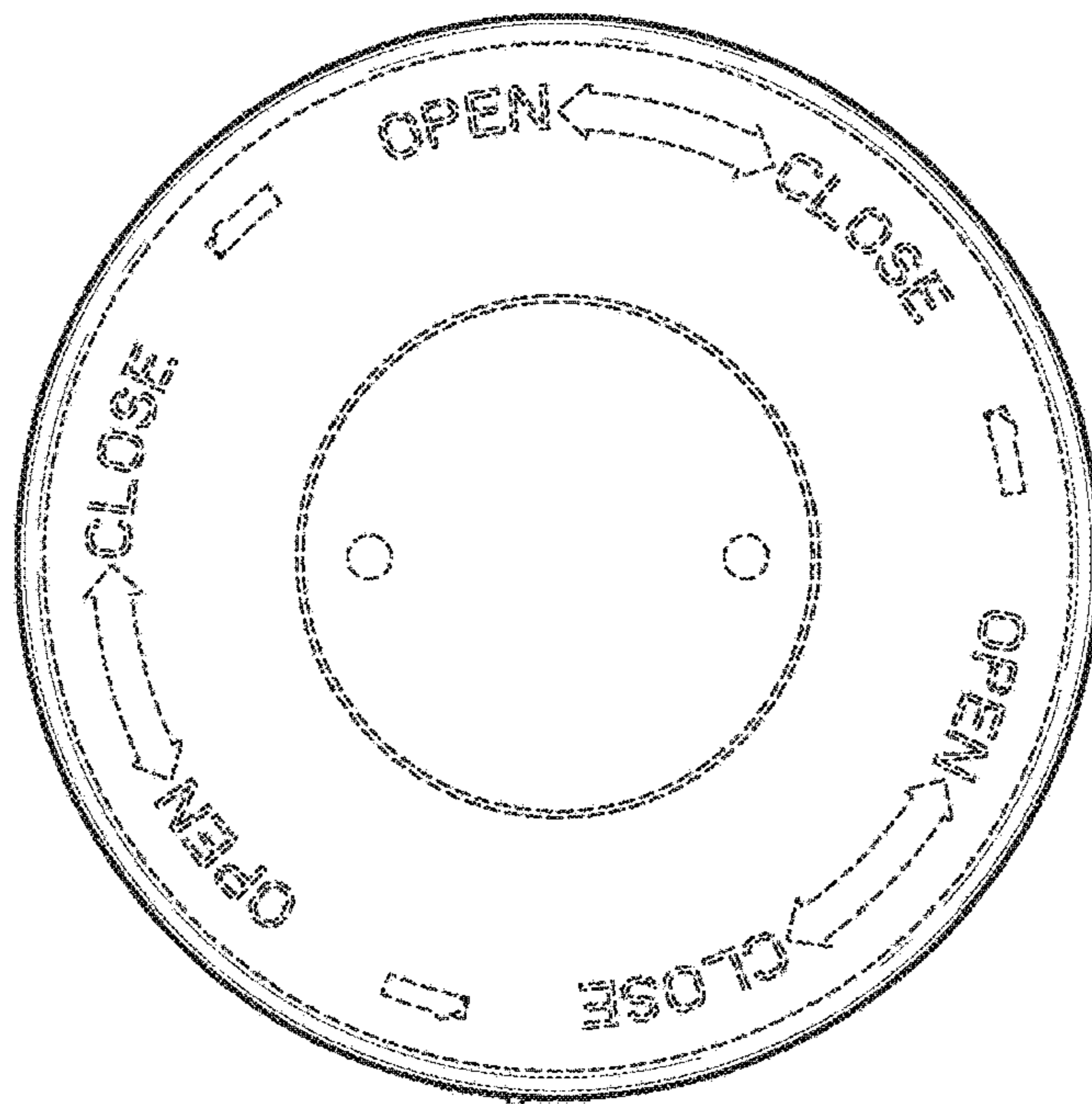
*Fig. 4*



*Fig. 5*



*Fig. 6*



*Fig. 7*