



US00D831267S

(12) **United States Design Patent**
Gittin et al.

(10) **Patent No.:** **US D831,267 S**

(45) **Date of Patent:** **** Oct. 16, 2018**

(54) **SET OF CUSTOM GRILLE LIGHT FOR AN AUTOMOBILE**

(71) Applicant: **Vaughn Gittin, Jr.**, Huntersville, NC (US)

(72) Inventors: **Vaughn Gittin**, Huntersville, NC (US); **Lindsay Ross**, Charlotte, NC (US)

(73) Assignee: **Vaughn Gittin, Jr.**, Huntersville, NC (US)

(**) Term: **15 Years**

(21) Appl. No.: **29/618,153**

(22) Filed: **Sep. 19, 2017**

(51) **LOC (11) Cl.** **26-99**

(52) **U.S. Cl.**
USPC **D26/139**

(58) **Field of Classification Search**
USPC D26/28-36, 139; 362/80-83, 267-269, 362/459-468, 475-478, 485-487
CPC F21S 48/00; F21S 48/10; F21S 48/115; F21S 48/225; F21S 48/1233; F21S 48/1266; F21S 48/1388; F21S 48/2268; F21V 21/04; B60C 9/13; B60C 9/135; B60C 9/1375

See application file for complete search history.

(56) **References Cited**

U.S. PATENT DOCUMENTS

D485,936 S *	1/2004	Tsai	D26/139
D487,819 S *	3/2004	Tsai	D26/139
D494,706 S *	8/2004	Tsai	D26/139
D787,739 S	5/2017	Gittin, Jr.		

OTHER PUBLICATIONS

LED Concepts, Fitted LED Accents <https://www.ledconceptsighting.com/fitted-led-accents/fitted-halo-kits.html>, downloaded Sep. 26, 2017.

LED Concepts, Halo Headlights, LED Forward Lighting, Off Road LED Light Bars, Projector Headlights, <https://ledconceptsighting.com/halo-headlight-kits/ford-mustang-2015-2017/>, Downloaded Dec. 18, 2017.

Universal Halo Headlights, Angel Eyes/Universal Halo Headlights, <https://www.carid.com/universal-halo-headlights/?vehicle=123301>, downloaded Oct. 2017.

(Continued)

Primary Examiner — Marcus Jackson

(74) *Attorney, Agent, or Firm* — Pitts & Lake, P.C.

(57) **CLAIM**

The ornamental design for a set of custom grille light for an automobile, as shown and described.

DESCRIPTION

FIG. 1 is a perspective view of a set of custom grille light for an automobile shown in an automobile showing my new design;

FIG. 2 is a perspective view of a set of custom grille light for an automobile;

FIG. 3 is a front elevation view thereof;

FIG. 4 is a rear elevation view thereof;

FIG. 5 is a top plan view thereof;

FIG. 6 is a bottom plan view thereof;

FIG. 7 is a left elevation view thereof;

FIG. 8 is a right elevation view thereof;

FIG. 9 is a perspective view of another embodiment of a set of custom grille light for an automobile;

FIG. 10 is a front elevation view thereof, of which the back elevation view is a mirror image;

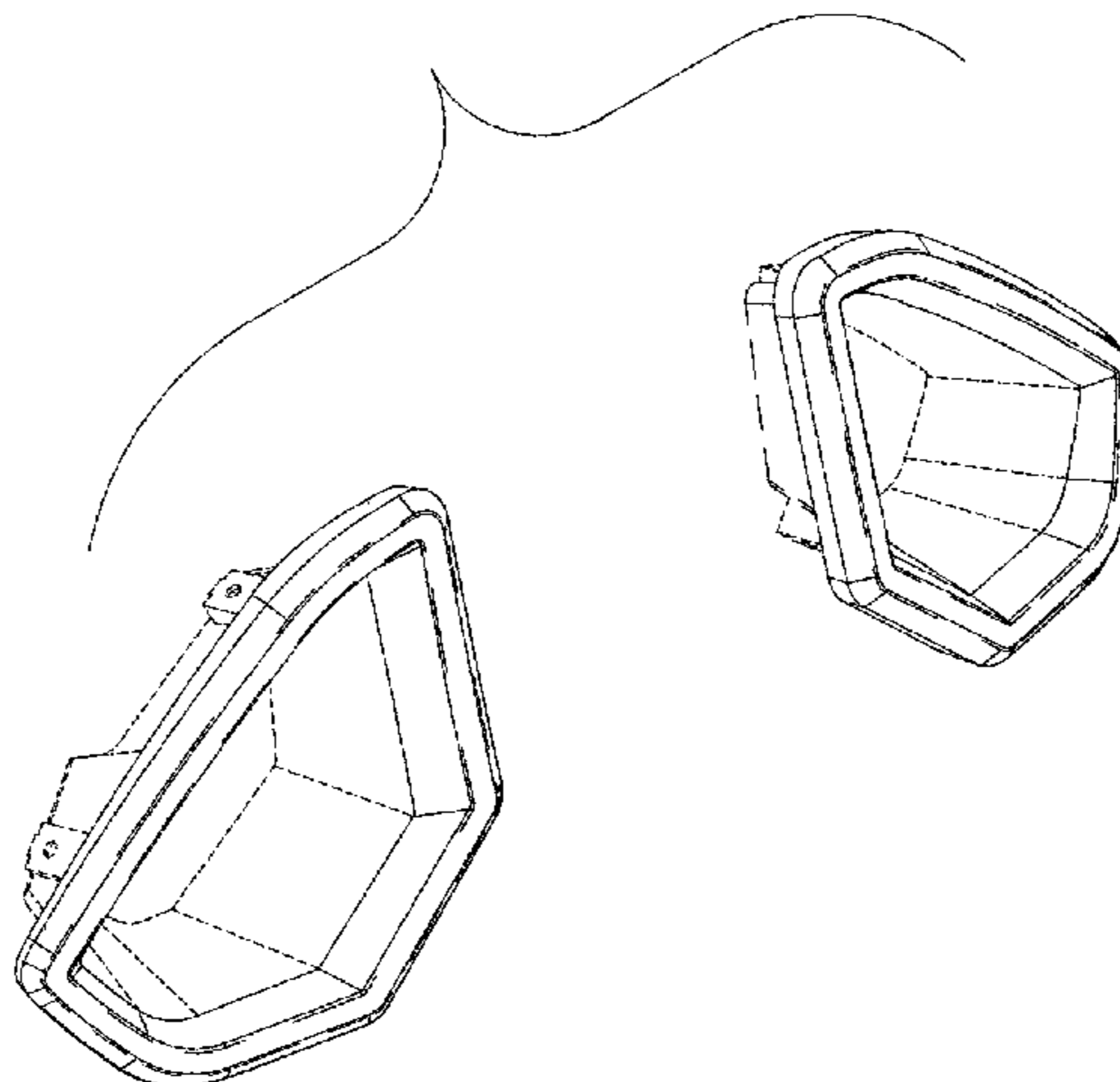
FIG. 11 is a top plan view thereof;

FIG. 12 is a bottom plan view thereof; and,

FIG. 13 is a right side elevation view thereof, of which the left side elevation view is a mirror image.

The broken line showing in the drawings is included for the purpose of illustrating and forms no part of the claimed design.

1 Claim, 6 Drawing Sheets



(56)

References Cited

OTHER PUBLICATIONS

Ebay, 15-17 Ford Mustang Front Hood Upper Grille White DRL LED With a, <https://www.ebay.com/itm/15-17-Ford-Mustang-Front-Hood-Upper-Grille>, downloaded Sep. 26, 2017.

Ebay, Ford Mustang GT ColorFuse DRL Color Change grille LED Light RTR kit, <http://www.ebay.com/itm/like/322573884845?chn=ps&dispItem=1>, downloaded Sep. 26, 2017.

Ebay, Front Upper Grille w/White DRL LED Accent Vent Light for 2015-2017, <https://www.ebay.com/itm/Front-Black-Grille-w-White-DRL-LED-Acce..>, downloaded Sep. 26, 2017.

Ebay, For 15-17 Ford Mustang DRL LED Light Front Mesh Grille Hood Bumper, <http://www.ebay.com/itm/like/232421256665?chn=ps&dispItem=1>, downloaded Sep. 26, 2017.

Ebay, 2015-2017 Mustang LED grille fit for all ecoboost/GT 5.0/V6 front bumper, <https://www.ebay.com/itm/2015-2017-Mustang-LED-grille-fit-for-all-ec..>, downloaded Sep. 26, 2017.

CDC Classic Design Concepts, <http://www.classicdesignconcepts.com/2015-17-mustang-cdc-outlaw-switchback-upper-grille>, Believed first available Jul. 15, 2015.

* cited by examiner

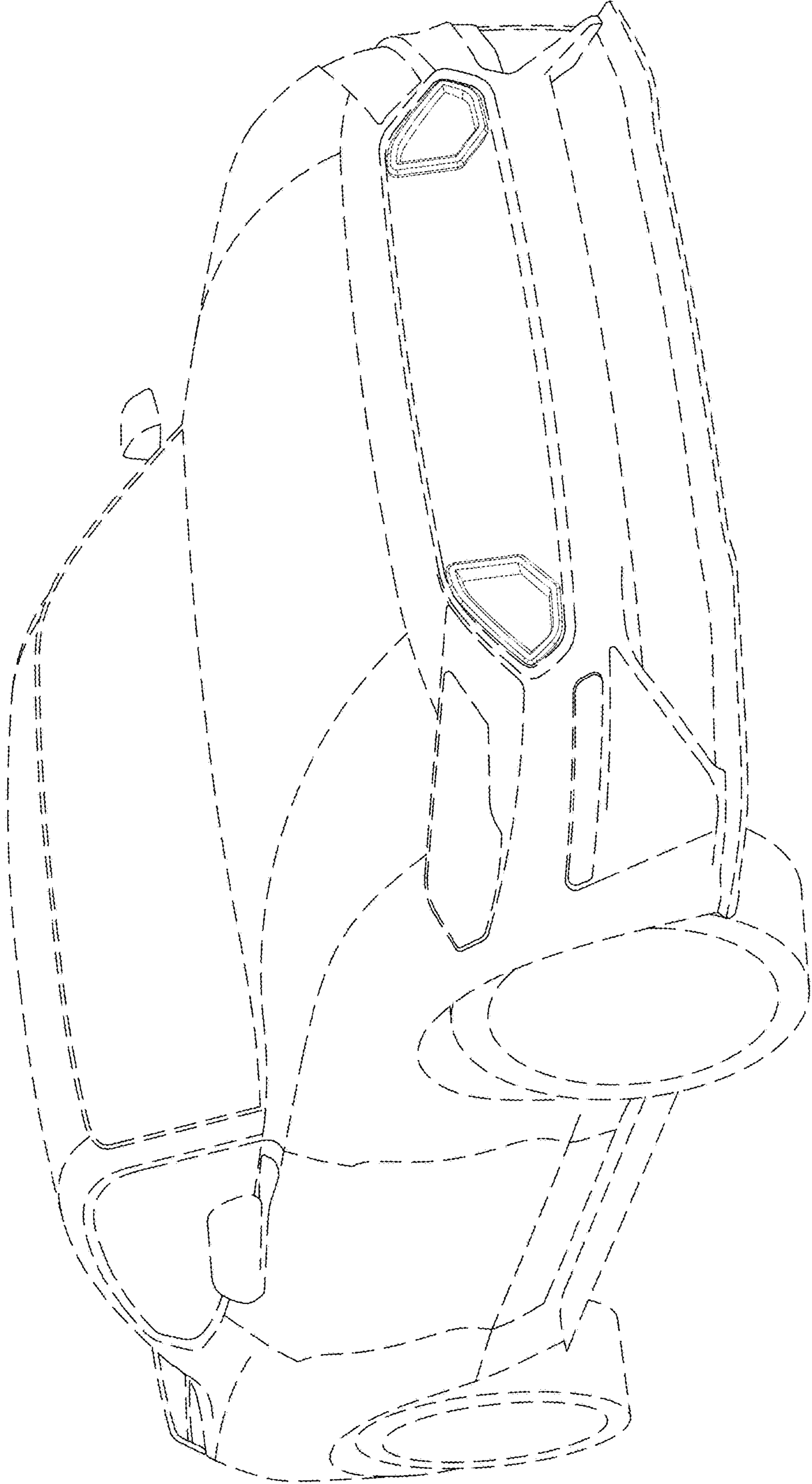


Fig. 1

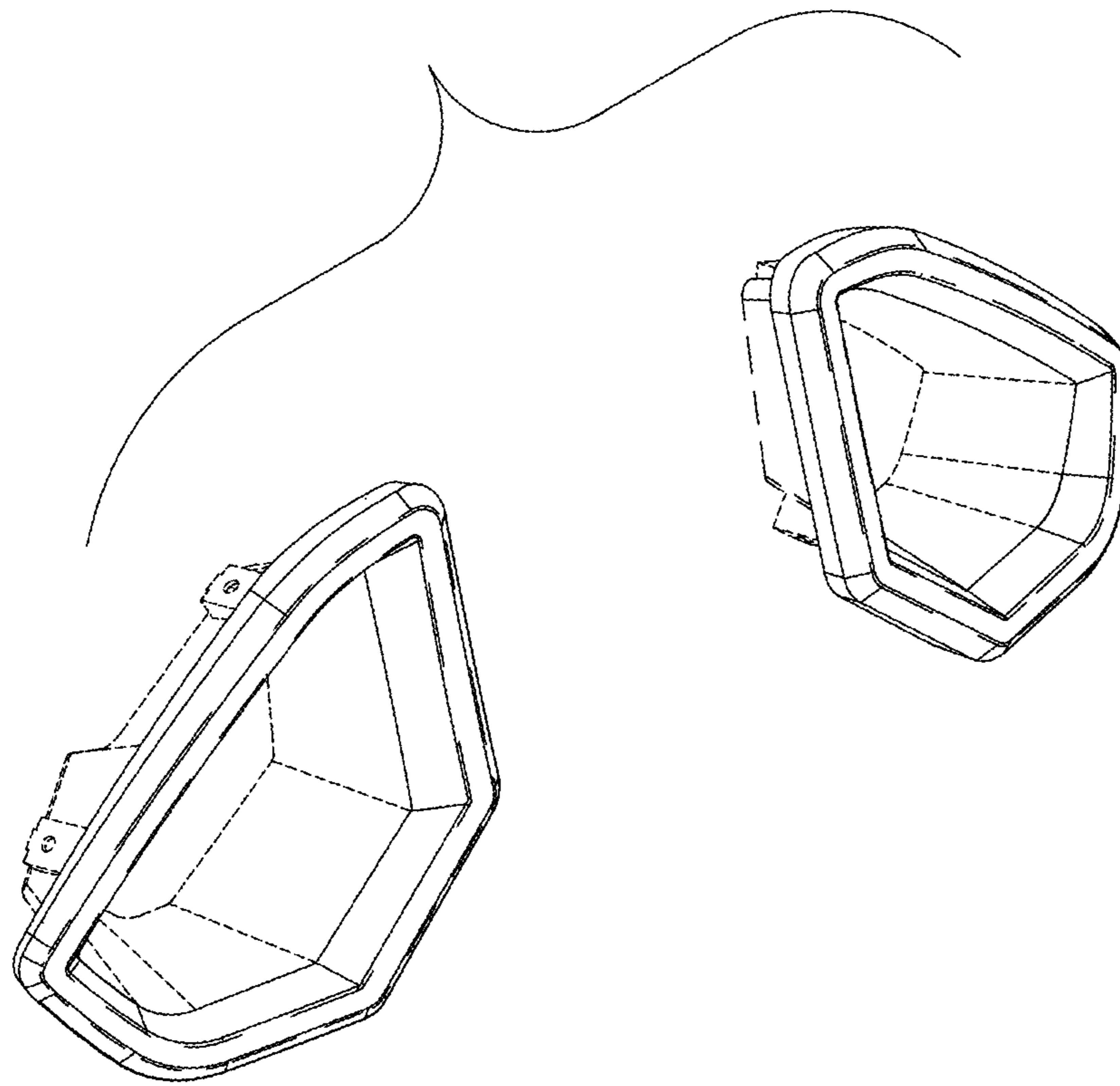


Fig. 2

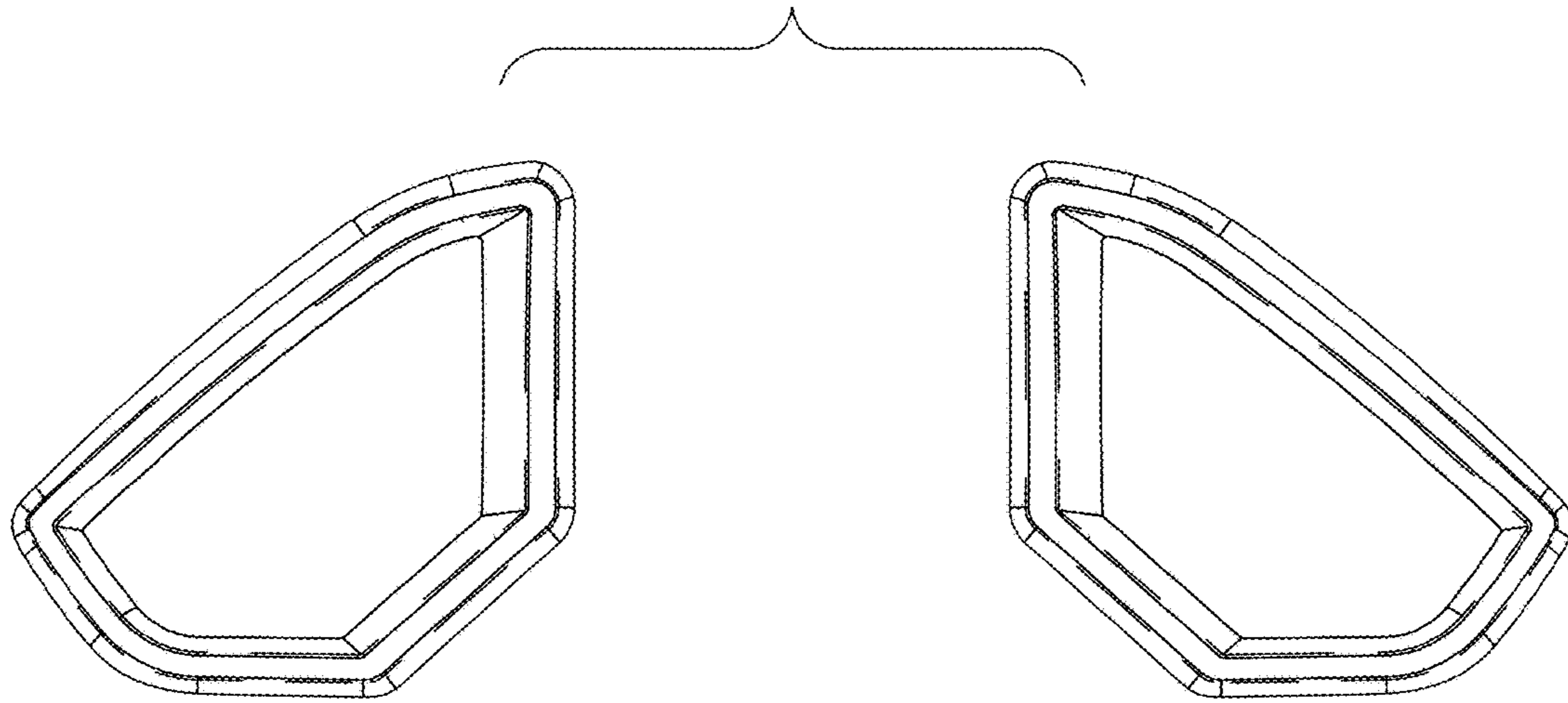


Fig.3

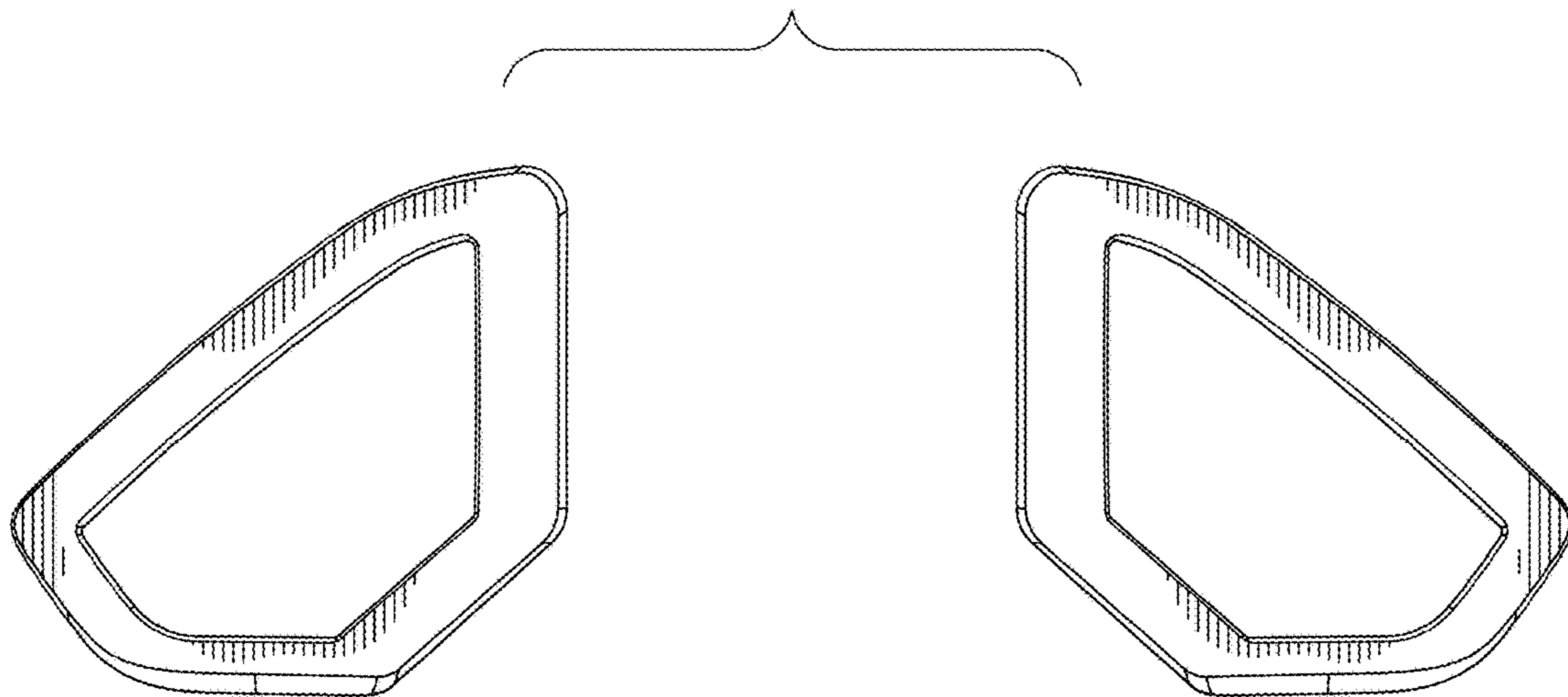


Fig.4

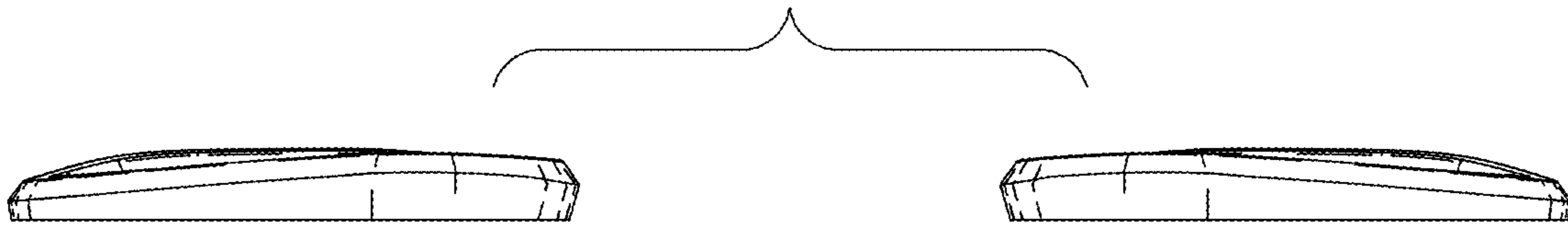


Fig.5

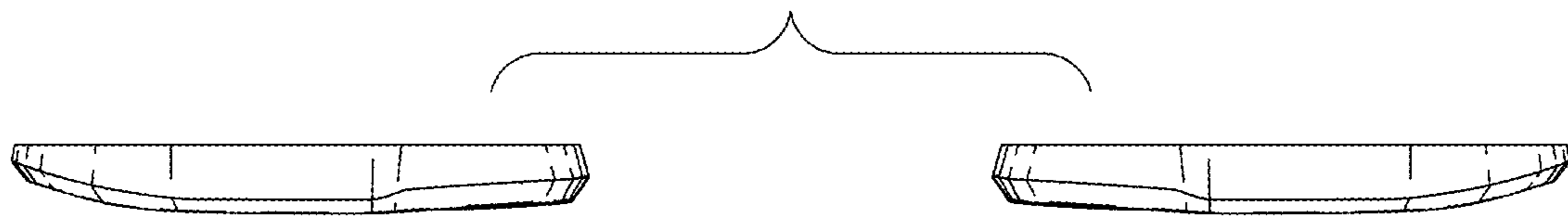


Fig.6

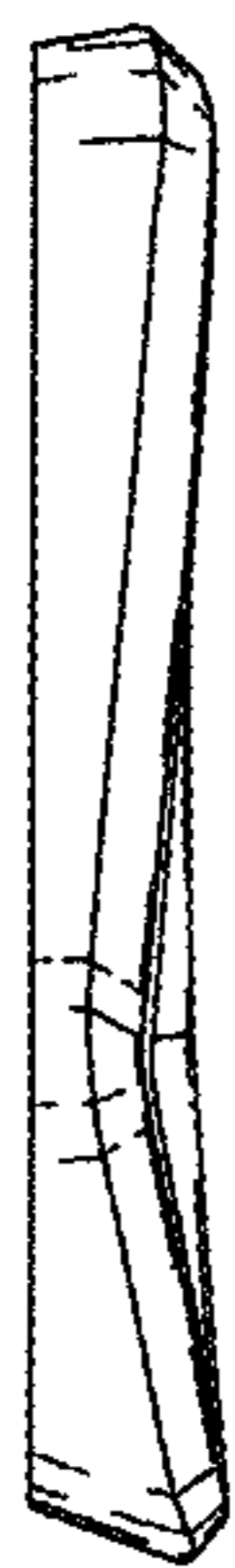


Fig.7



Fig.8

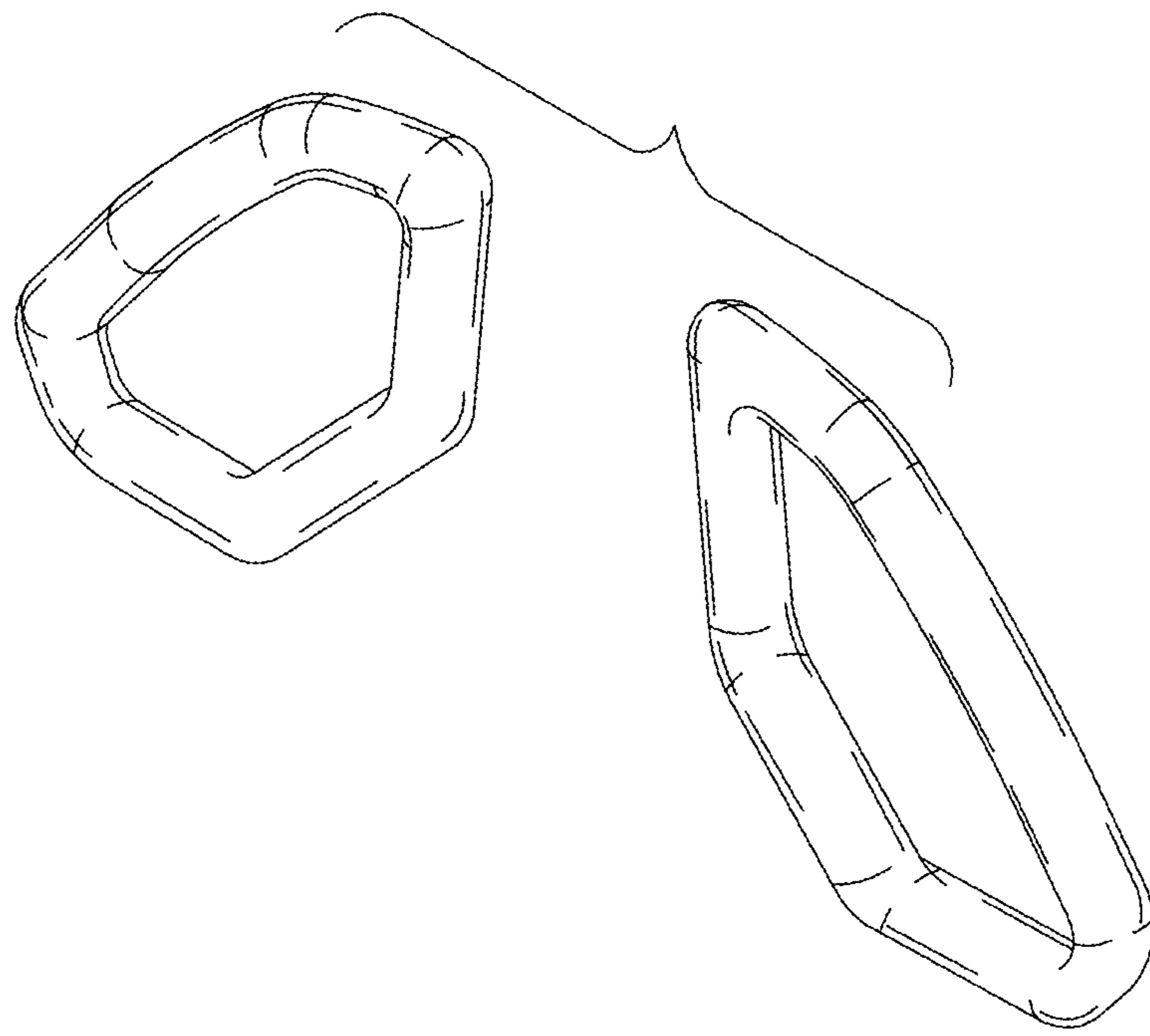


Fig.9

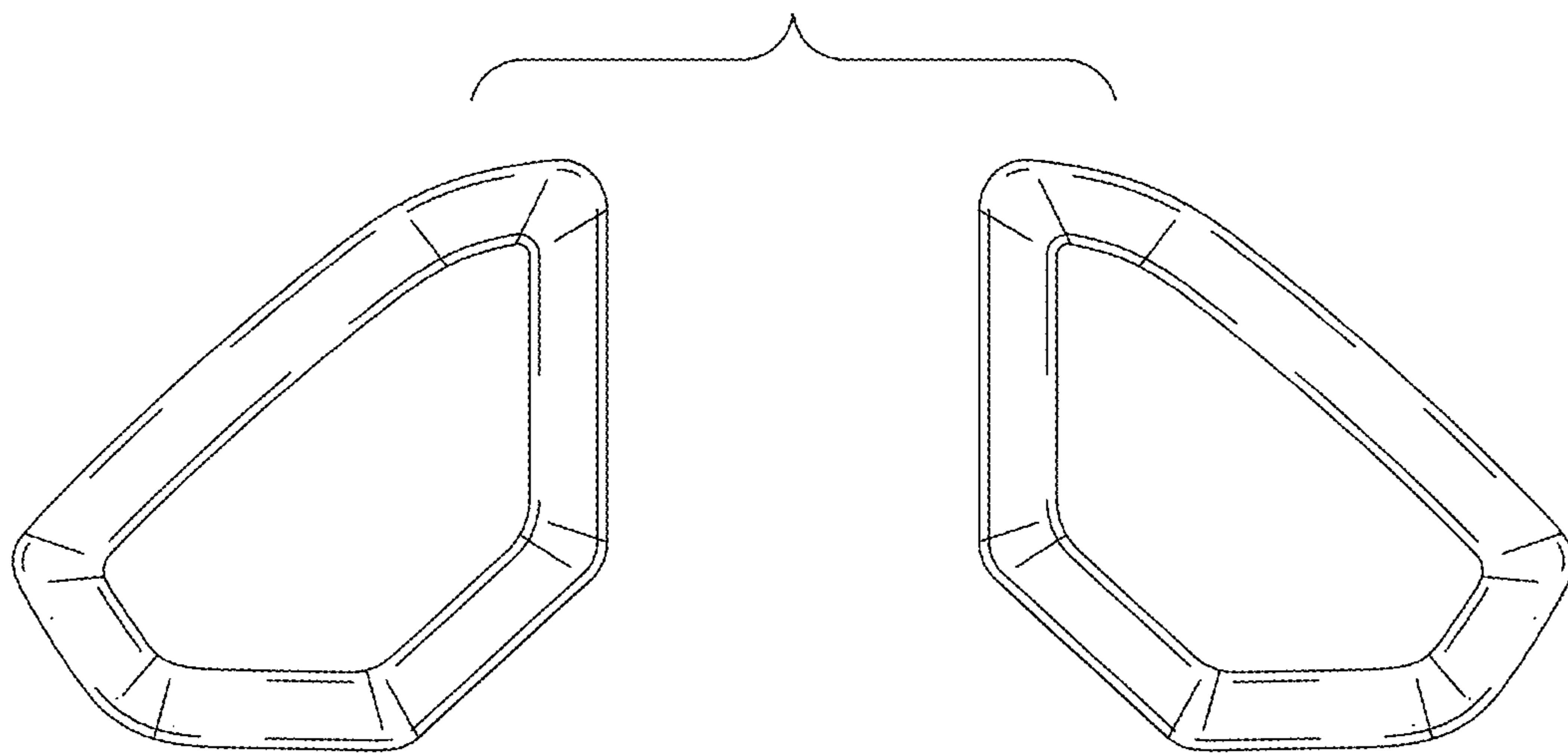


Fig.10

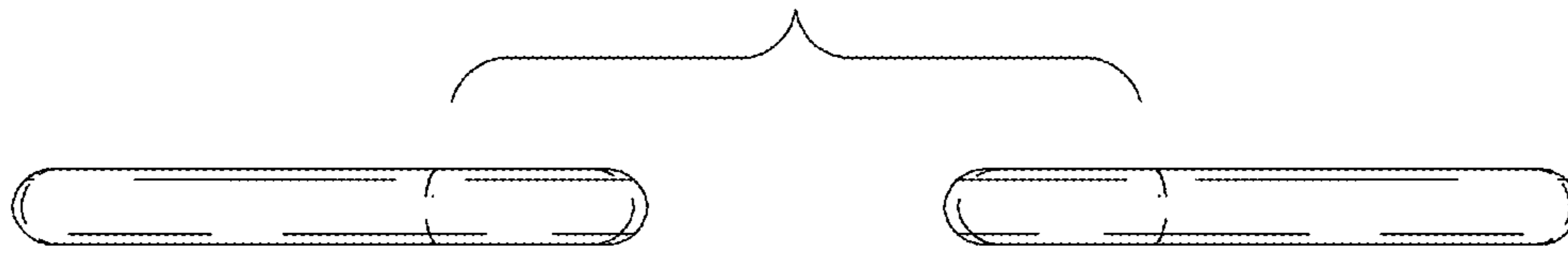


Fig. 11

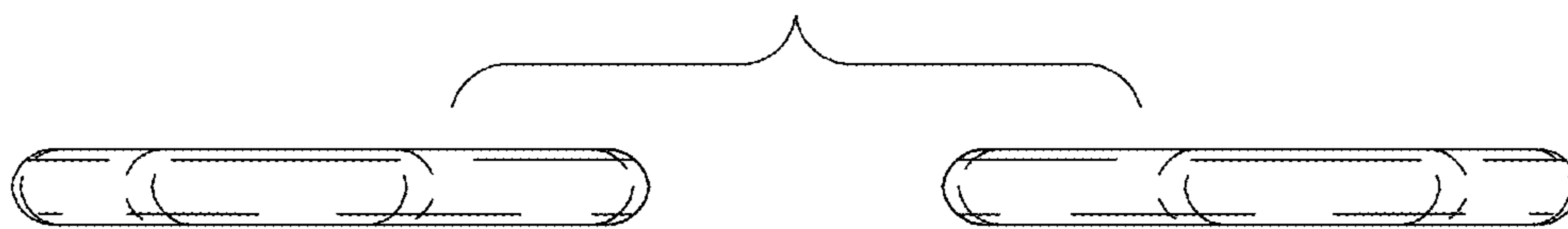


Fig. 12

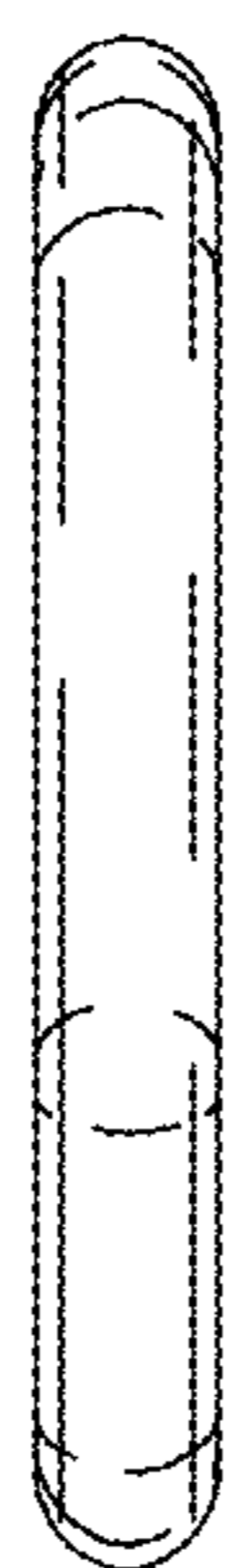


Fig. 13