



US00D831264S

(12) **United States Design Patent**  
**Sonneman**

(10) **Patent No.:** **US D831,264 S**  
(45) **Date of Patent:** **\*\* Oct. 16, 2018**

(54) **LIGHT FIXTURE**

(71) Applicant: **Contemporary Visions, LLC**,  
Larchmont, NY (US)

(72) Inventor: **Robert A. Sonneman**, Mamaroneck,  
NY (US)

(73) Assignee: **CONTEMPORARY VISIONS, LLC**,  
Larchmont, NY (US)

(\*\*) Term: **15 Years**

(21) Appl. No.: **29/630,206**

(22) Filed: **Dec. 20, 2017**

(51) **LOC (11) Cl.** ..... **26-03**

(52) **U.S. Cl.**  
USPC ..... **D26/90**

(58) **Field of Classification Search**  
USPC ... D26/3, 26, 72, 75, 76, 78, 80, 81, 82, 84,  
D26/86, 88, 90, 91, 113  
CPC .. F21S 2/005; F21S 4/002; F21S 4/008; F21S  
8/031; F21S 8/038; F21S 8/04; F21S  
8/043; F21S 8/046; F21S 8/06; F21S  
8/061; F21S 8/063; F21S 8/065; F21S  
8/066; F21S 8/068  
See application file for complete search history.

(56) **References Cited**

**U.S. PATENT DOCUMENTS**

D139,670 S	*	12/1944	Lippincott	.....	D26/76
D584,848 S	*	1/2009	Menke	.....	D26/76
D595,890 S	*	7/2009	Sabernig	.....	D26/84
D674,954 S	*	1/2013	Sonneman	.....	D26/88
D762,911 S	*	8/2016	Blum	.....	D26/88
D763,496 S	*	8/2016	Tran	.....	D26/88
D773,101 S	*	11/2016	Sonneman	.....	D26/88

D786,483 S	5/2017	Sonneman	
2005/0180131 A1*	8/2005	Grimmeisen	..... F21S 8/06 362/221
2006/0098444 A1*	5/2006	Petruzzi	..... F21S 8/06 362/404
2011/0051416 A1*	3/2011	Verbrugh	..... G02B 6/0021 362/235
2011/0063838 A1*	3/2011	Dau	..... F21S 8/04 362/235
2013/0107519 A1*	5/2013	Kim	..... F21V 3/0625 362/235
2015/0338037 A1*	11/2015	Wang	..... F21V 21/34 362/217.14
2017/0074495 A1*	3/2017	Skergeth	..... F21V 15/01
2017/0254493 A1*	9/2017	Giorgini	..... F21S 8/061

\* cited by examiner

*Primary Examiner* — Clare E Heflin

(74) *Attorney, Agent, or Firm* — Gottlieb, Rackman &  
Reisman, P.C.

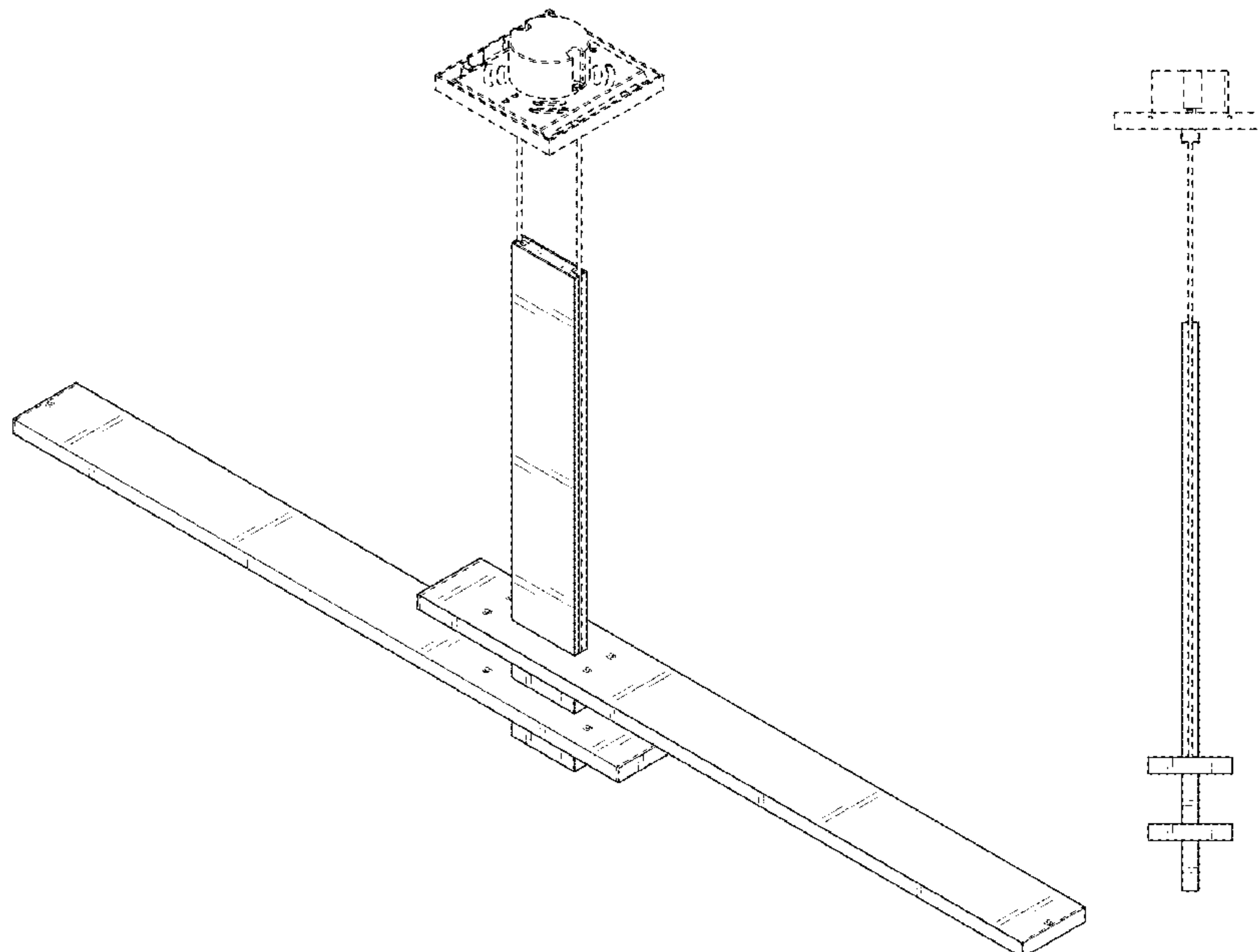
(57) **CLAIM**

The ornamental design for a light fixture, as shown and described.

**DESCRIPTION**

FIG. 1 is a perspective view of a light fixture showing my new design;  
FIG. 2 is a front elevational view thereof;  
FIG. 3 is a rear elevational view thereof;  
FIG. 4 is a right side elevational view thereof;  
FIG. 5 is a left side elevational view thereof;  
FIG. 6 is a top plan view thereof; and,  
FIG. 7 is a bottom plan view thereof.  
The broken lines shown in the drawings are included for the purpose of illustrating portions of the light fixture that form no part of the claimed design.

**1 Claim, 7 Drawing Sheets**



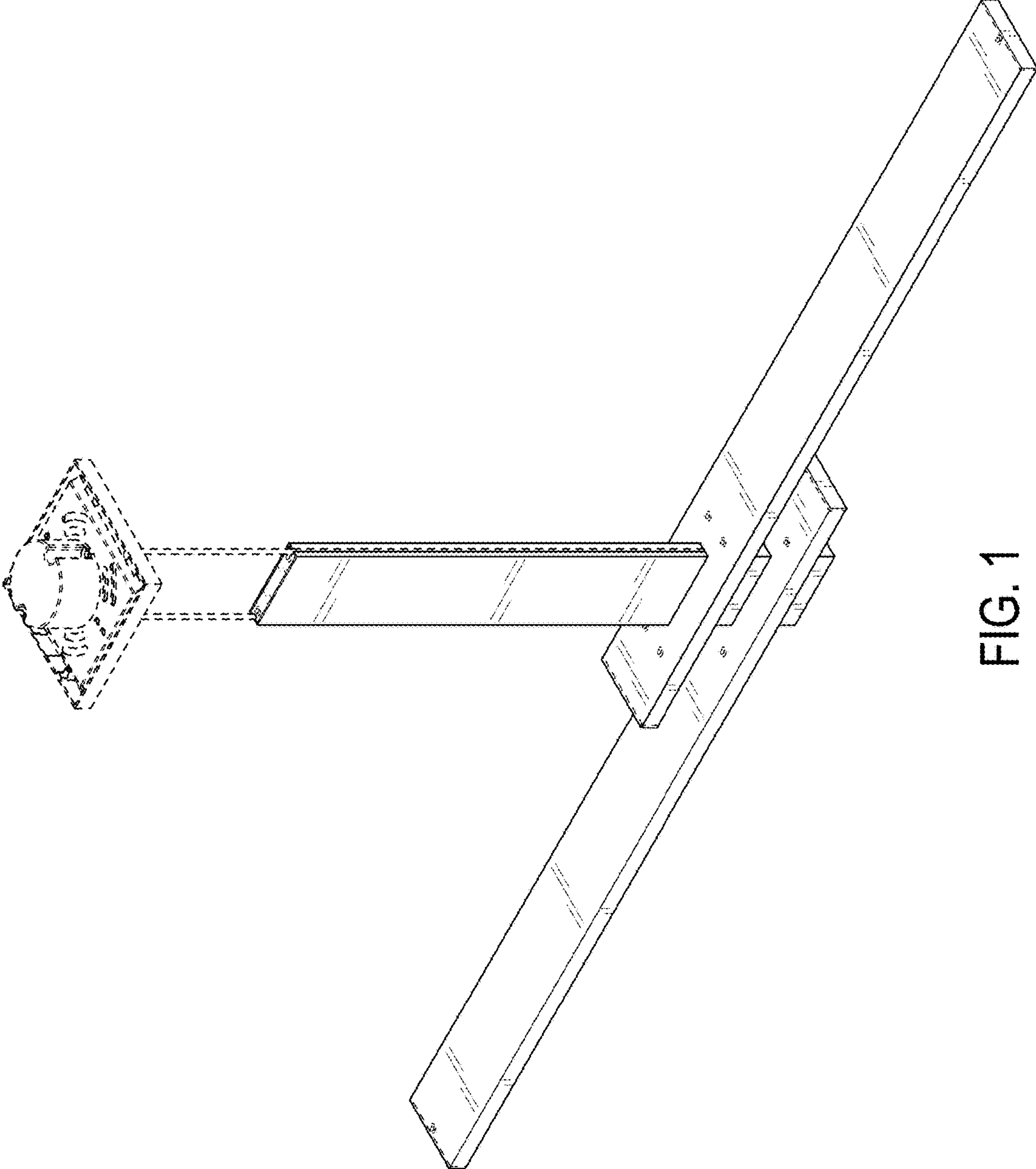


FIG. 1

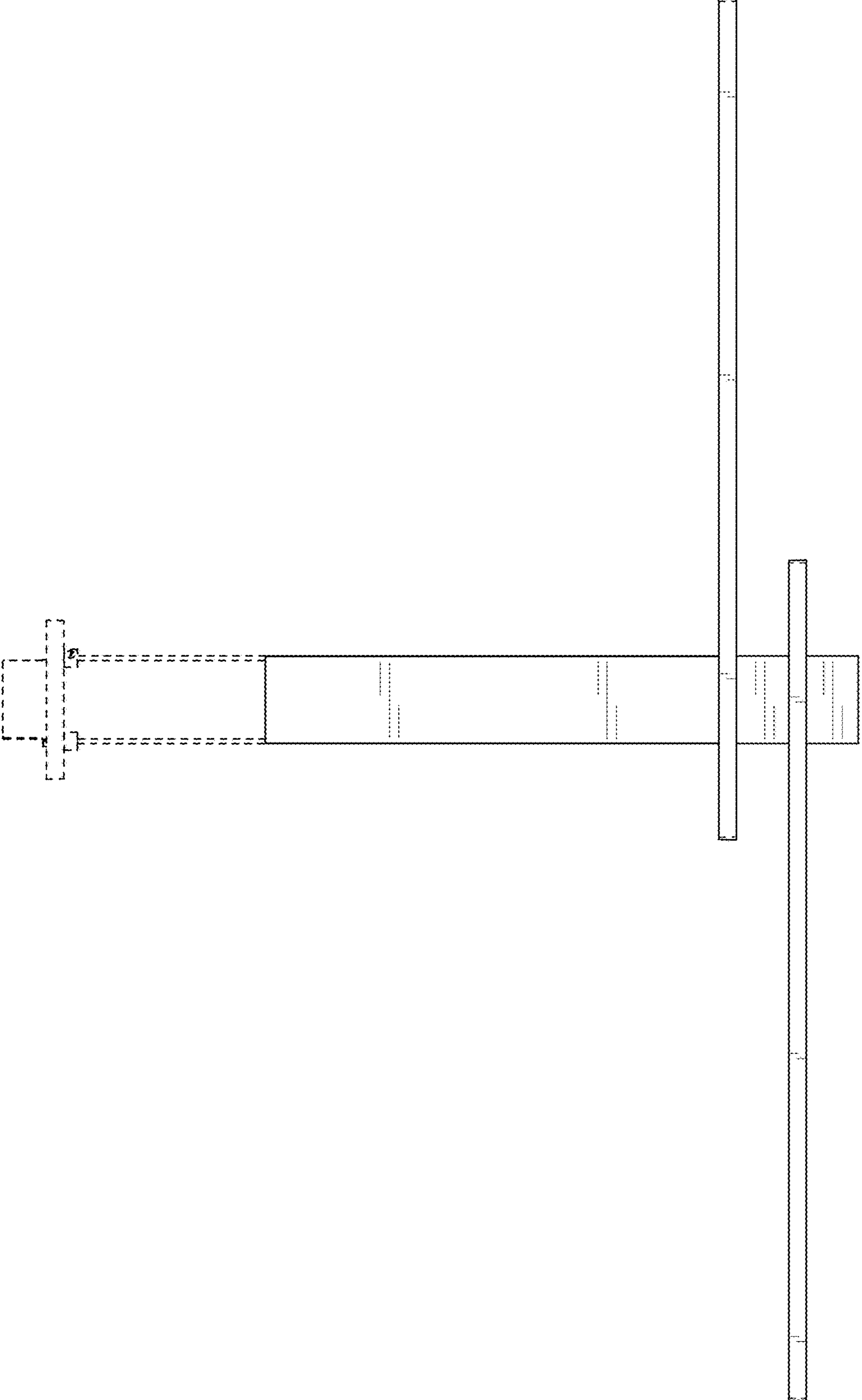


FIG. 2

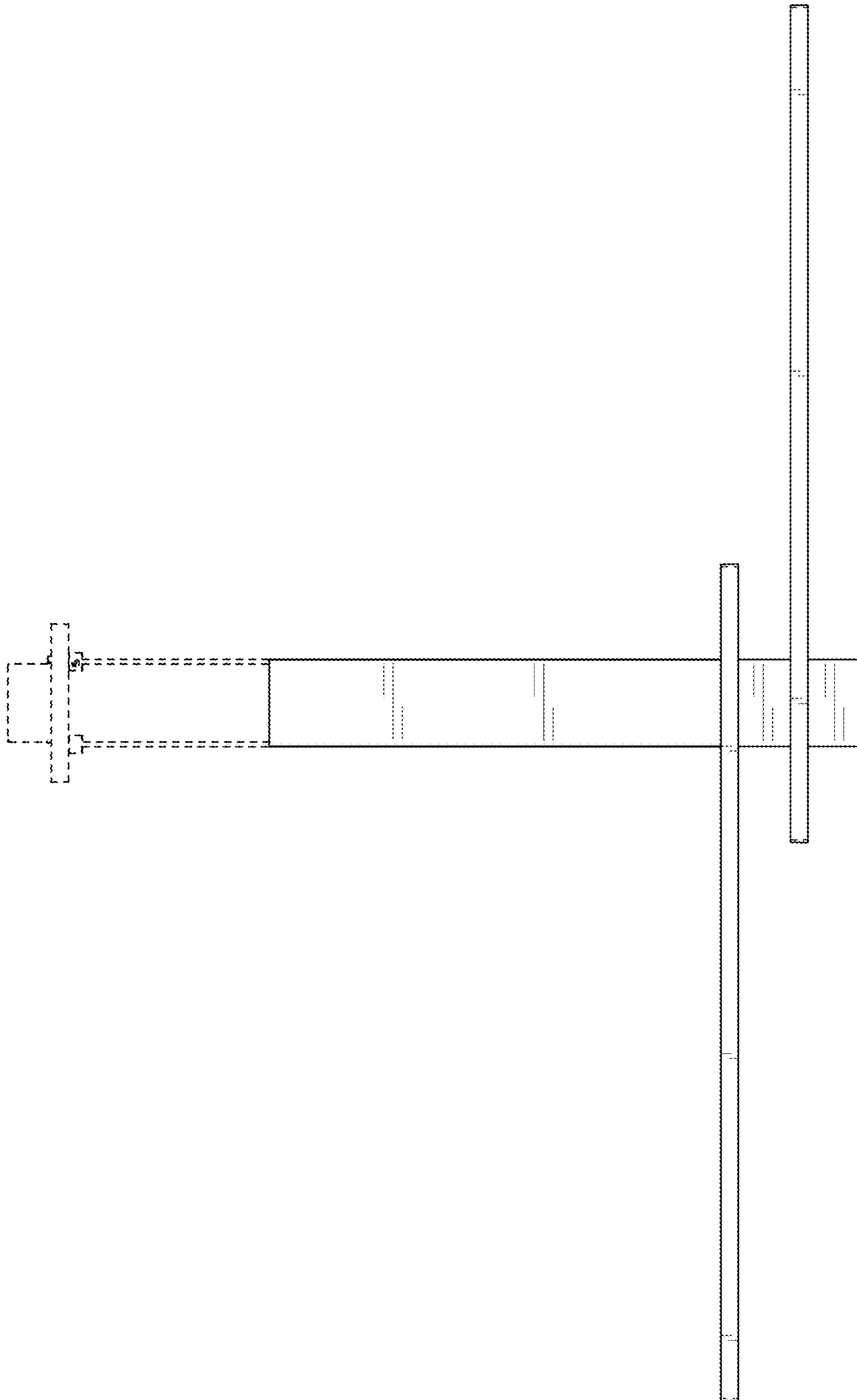


FIG. 3

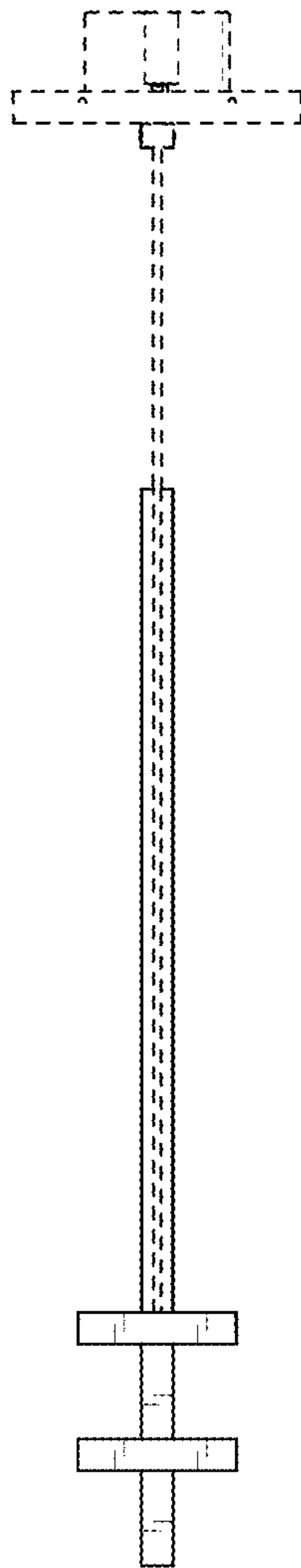


FIG. 4

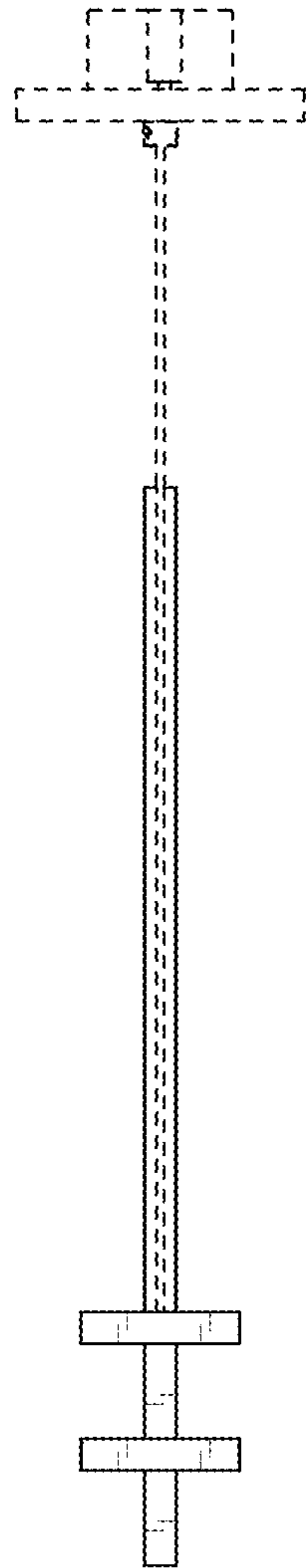


FIG. 5

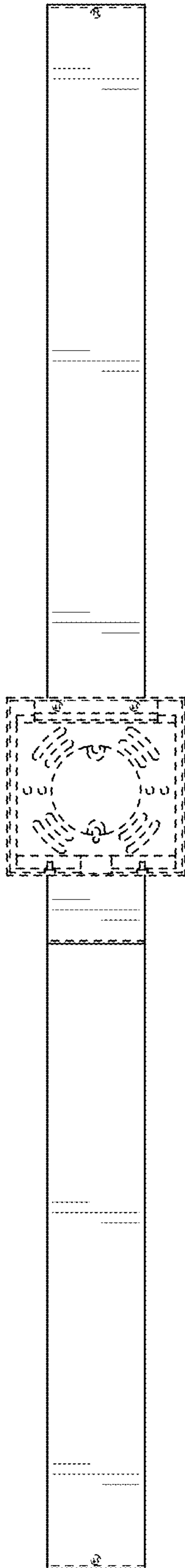


FIG. 6

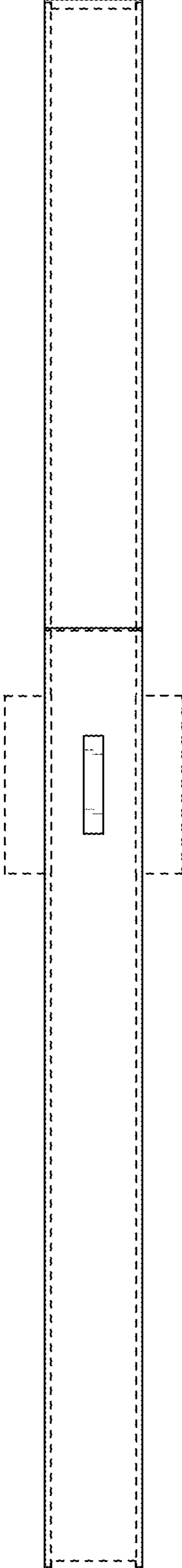


FIG. 7