



US00D831262S

(12) **United States Design Patent** (10) **Patent No.:** **US D831,262 S**
Amato et al. (45) **Date of Patent:** **** Oct. 16, 2018**

(54) **LIGHTING FIXTURE**

(71) Applicant: **The Urban Electric Company**, North Charleston, SC (US)

(72) Inventors: **Michael Amato**, London (GB); **David Dawson**, Charleston, SC (US); **Jonathan Charpia**, Summerville, SC (US); **Christopher Roof**, Charleston, SC (US); **Joeangel Casanova**, North Charleston, SC (US); **Courteney Salisbury**, Mount Pleasant, SC (US); **Brianna Magagnoli**, North Charleston, SC (US)

(73) Assignee: **The Urban Electric Company**, North Charleston, SC (US)

(**) Term: **15 Years**

(21) Appl. No.: **29/586,776**

(22) Filed: **Dec. 7, 2016**

(51) **LOC (11) Cl.** **26-05**

(52) **U.S. Cl.**
USPC **D26/88**

(58) **Field of Classification Search**
USPC D26/28, 35, 72, 74, 79-81, 83, 85, 86, D26/88, 89, 91, 118-122
CPC F21S 8/02; F21S 8/03; F21S 8/04; F21S 8/033; F21S 8/043; F21V 21/02
See application file for complete search history.

(56) **References Cited**

U.S. PATENT DOCUMENTS

| | | | | |
|---------------|---------|-----------|-------|----------------------|
| D204,793 S * | 5/1966 | Rodriguez | | D26/63 |
| D244,793 S * | 6/1977 | Ruud | | D26/107 |
| D245,367 S * | 8/1977 | Franck | | D26/111 |
| 4,924,366 A * | 5/1990 | Shemitz | | F21S 2/00 362/147 |
| D529,222 S * | 9/2006 | Waldmann | | D26/107 |
| D603,083 S * | 10/2009 | Trumble | | D26/90 |

| | | | | |
|--------------|---------|-----------|-------|---------|
| D619,294 S * | 7/2010 | Sabernig | | D26/93 |
| D648,888 S * | 11/2011 | Spoth | | D26/88 |
| D670,420 S * | 11/2012 | Hui | | D26/51 |
| D766,493 S * | 9/2016 | Hoshikawa | | D26/107 |
| D812,284 S * | 3/2018 | Arndt | | D26/88 |

OTHER PUBLICATIONS

Flush Mount Square Ceiling Fixture (available online) Retrieved from the internet May 12, 2018 from URL: <https://www.lightingdirect.com/craftmade-z3227-gentry-single-light-13-1-8-wide-outdoor-flush-mount-square-ceiling-fixture-with-clear-seeded-glass/p3178489>.
Oil Rubbed Bronze Callisto Integrated LED 11_ Wide Square Suspension Style Ceiling Fixture (available online) Retrieved from the internet May 12, 2018 from URL: <https://www.lightingdirect.com/vonn-vhp26520-callisto-integrated-led-11-wide-square-suspension-style-ceiling-fixture-with-fully-dimmable-tunable-white%E2%80%9C>.

(Continued)

Primary Examiner — Kevin Keith Rudzinski

Assistant Examiner — Richard Kearney

(74) *Attorney, Agent, or Firm* — Jeffrey T. Stover; Haynsworth Sinkler Boyd, P.A.

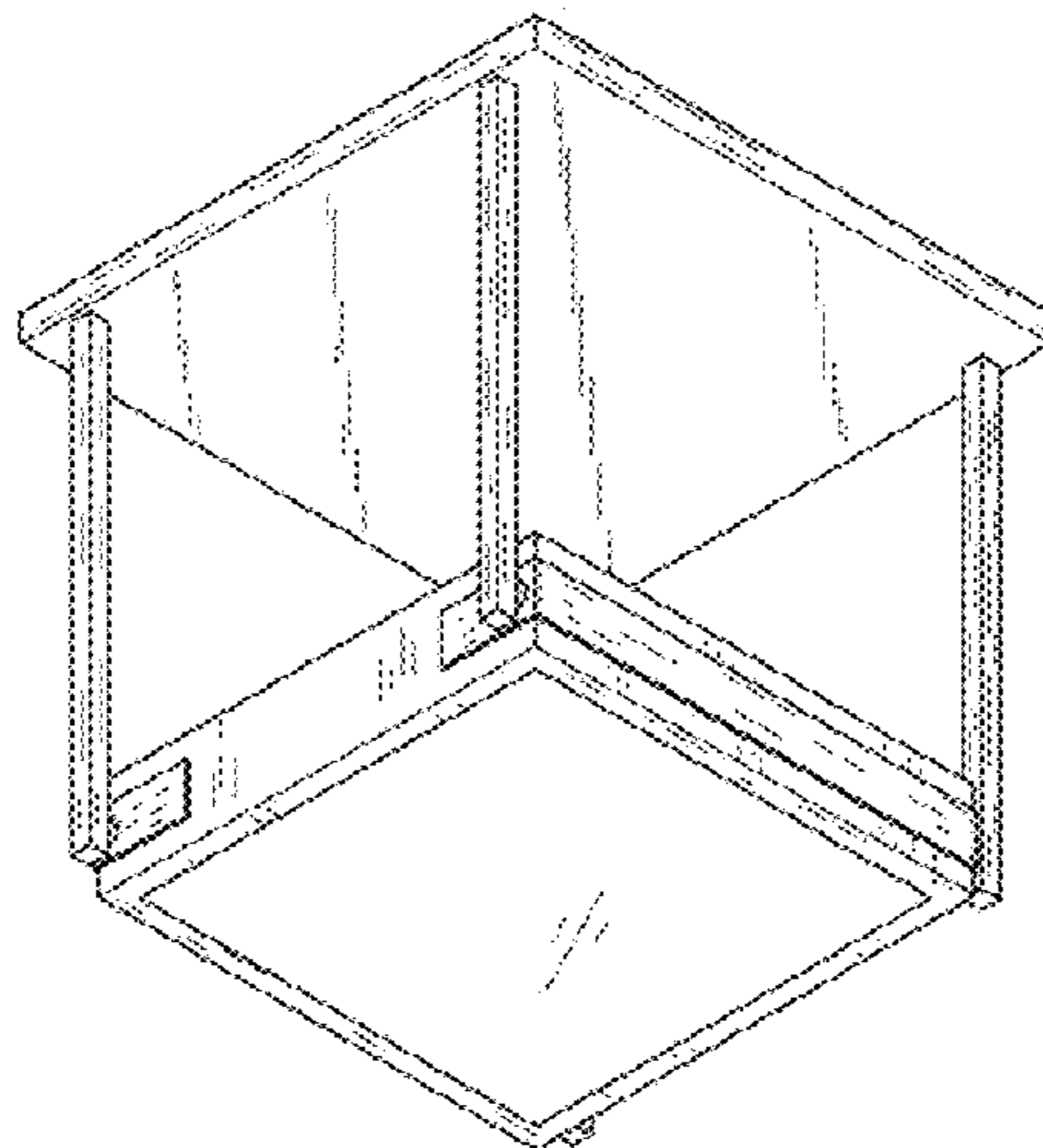
(57) **CLAIM**

The ornamental design for a lighting fixture, as shown and described.

DESCRIPTION

FIG. 1 is a top perspective view of a lighting fixture depicting the new design; FIG. 2 is a front elevational view thereof; FIG. 3 is a rear elevational view thereof; FIG. 4 is a right elevational view thereof; FIG. 5 is a left elevational view thereof; FIG. 6 is a bottom plan view thereof; and, FIG. 7 is a bottom perspective view thereof. The broken lines shown on the drawings are understood to represent environmental structure that is not considered part of the claimed design.

1 Claim, 7 Drawing Sheets



(56)

References Cited

OTHER PUBLICATIONS

Troy Lighting C4060 Rusty Iron Merchant Street 3 Light Flush Mount Ceiling Fixture (available online) Retrieved from the internet May 5, 2018 from URL: <https://www.lightingdirect.com/troy-lighting-c4060-merchant-street-3-light-flush-mount-ceiling-fixture-with-iron-mesh-shade/p2433279>.*

The Flat | MA-1580 (available online) Retrieved from the internet May 12, 2018 from URL: <https://www.urbanelectricco.com/theflat.html>.*

* cited by examiner

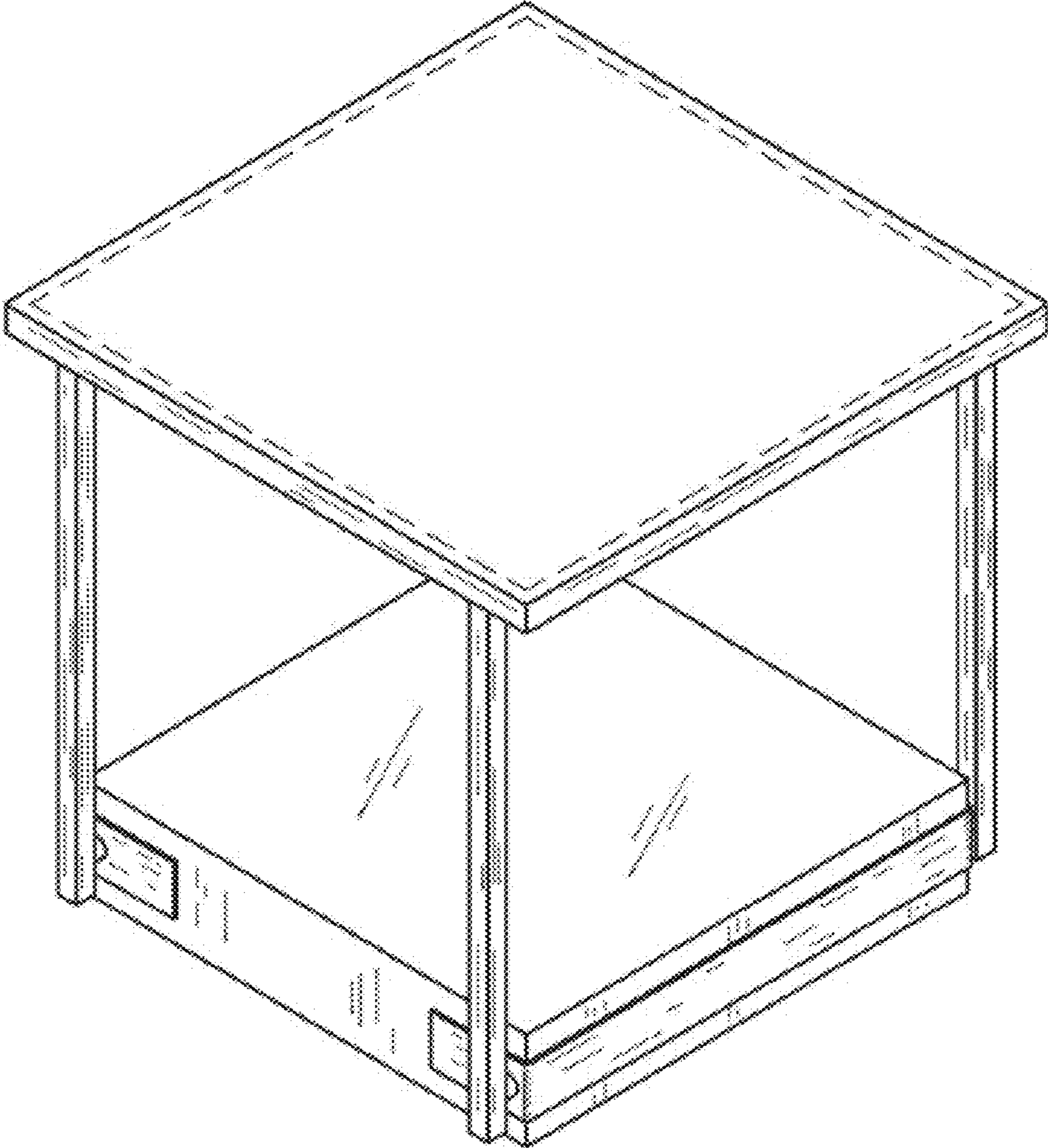


FIG. 1

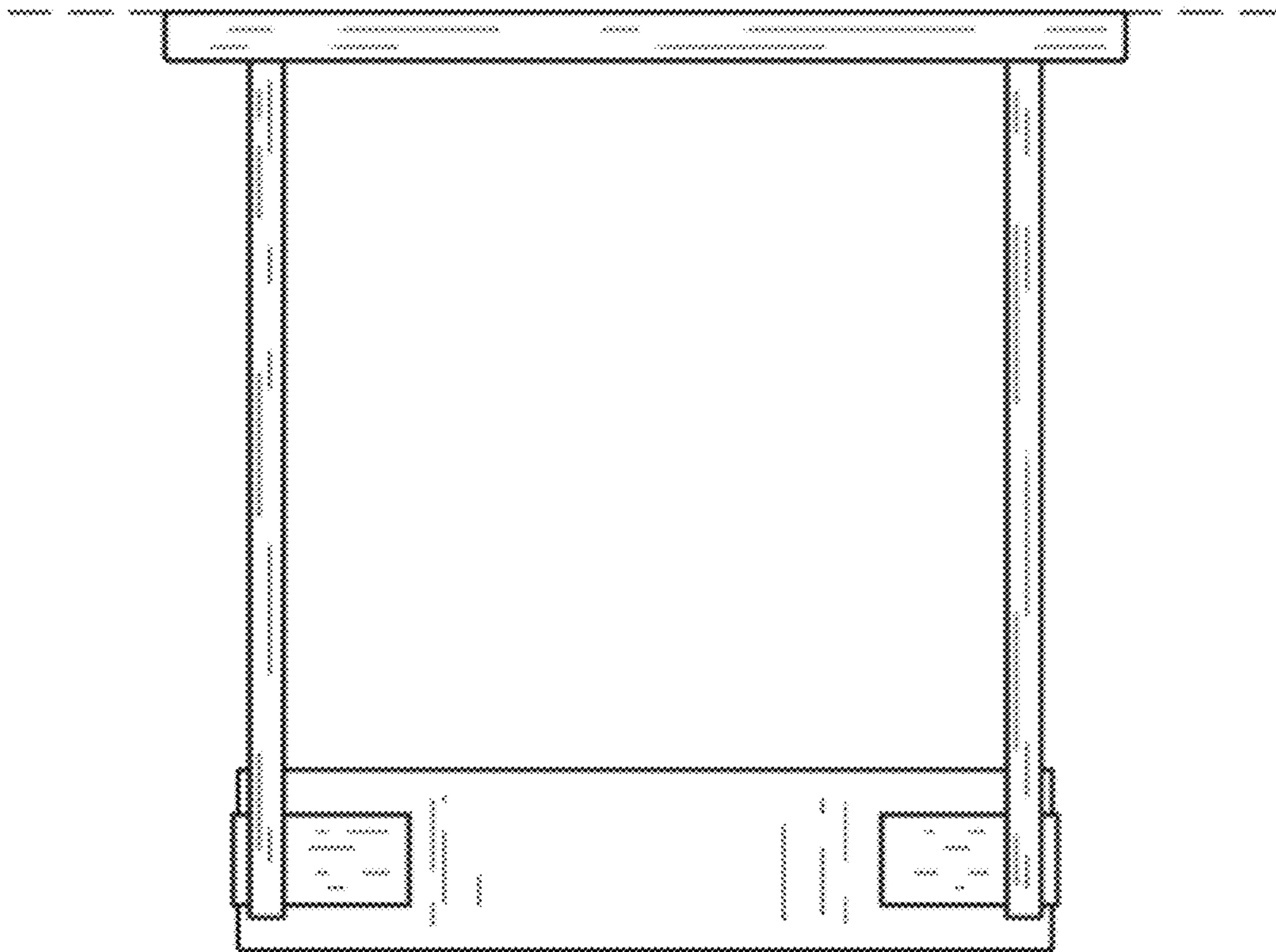


FIG. 2

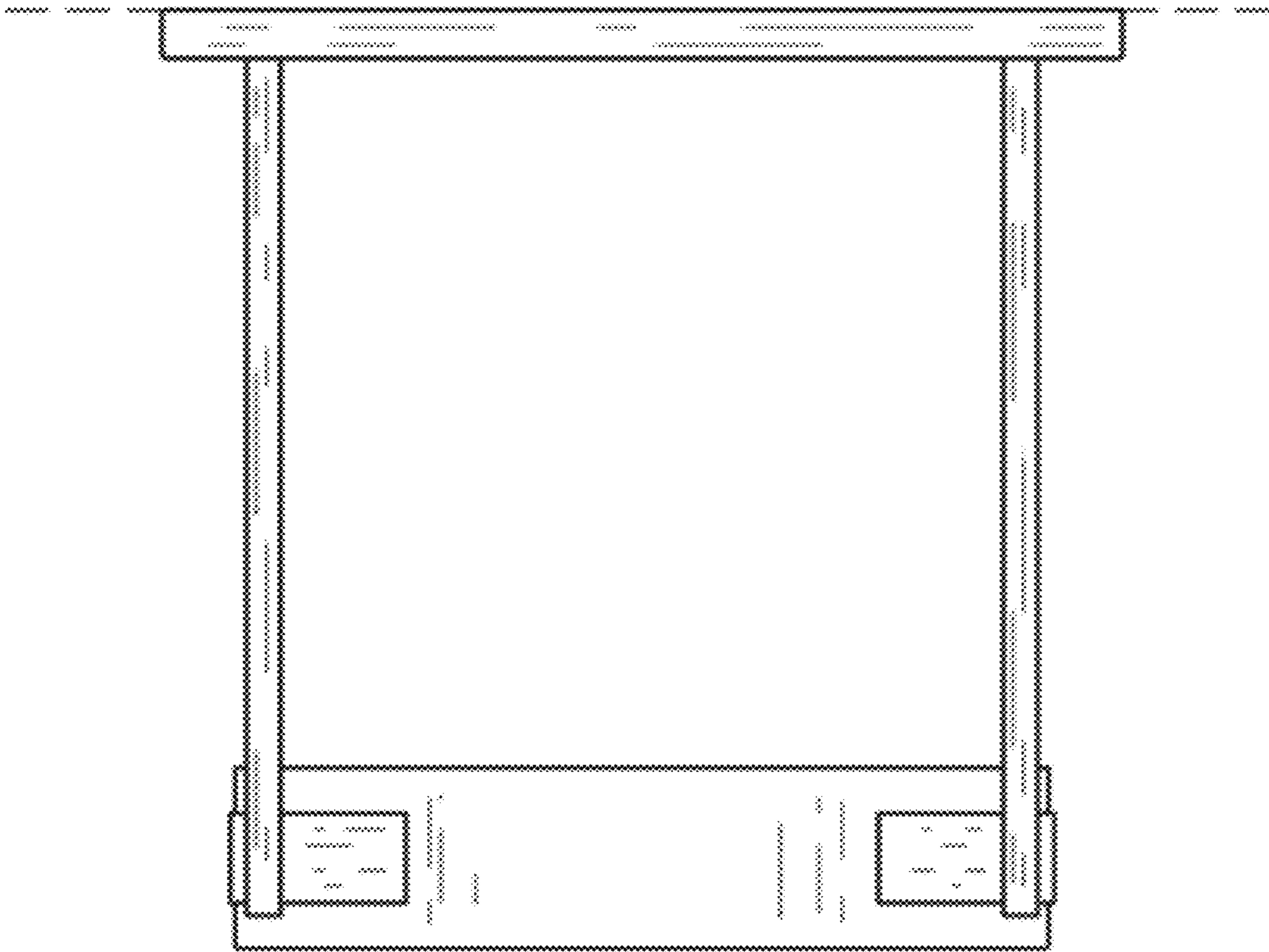


FIG. 3

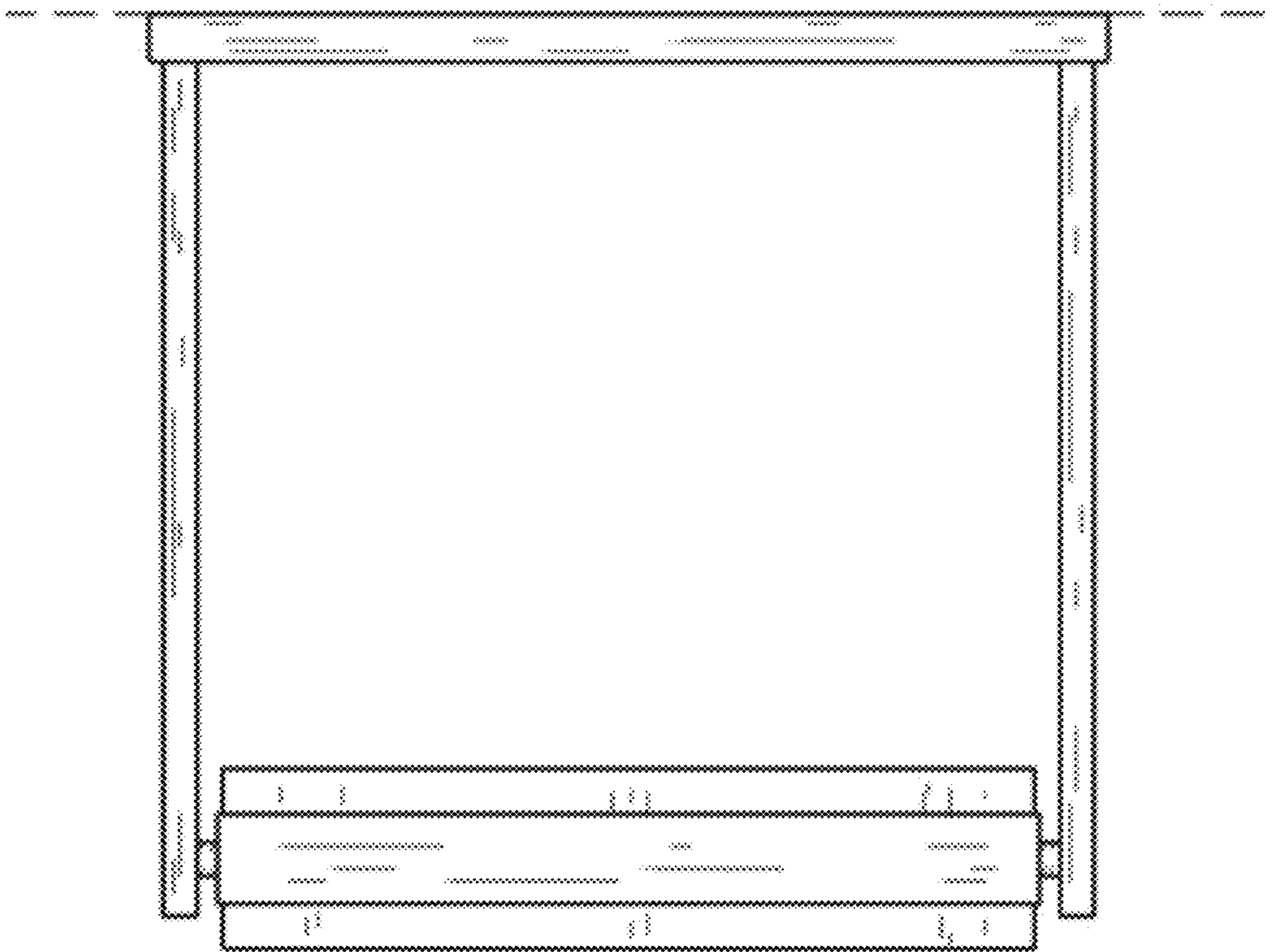


FIG. 4

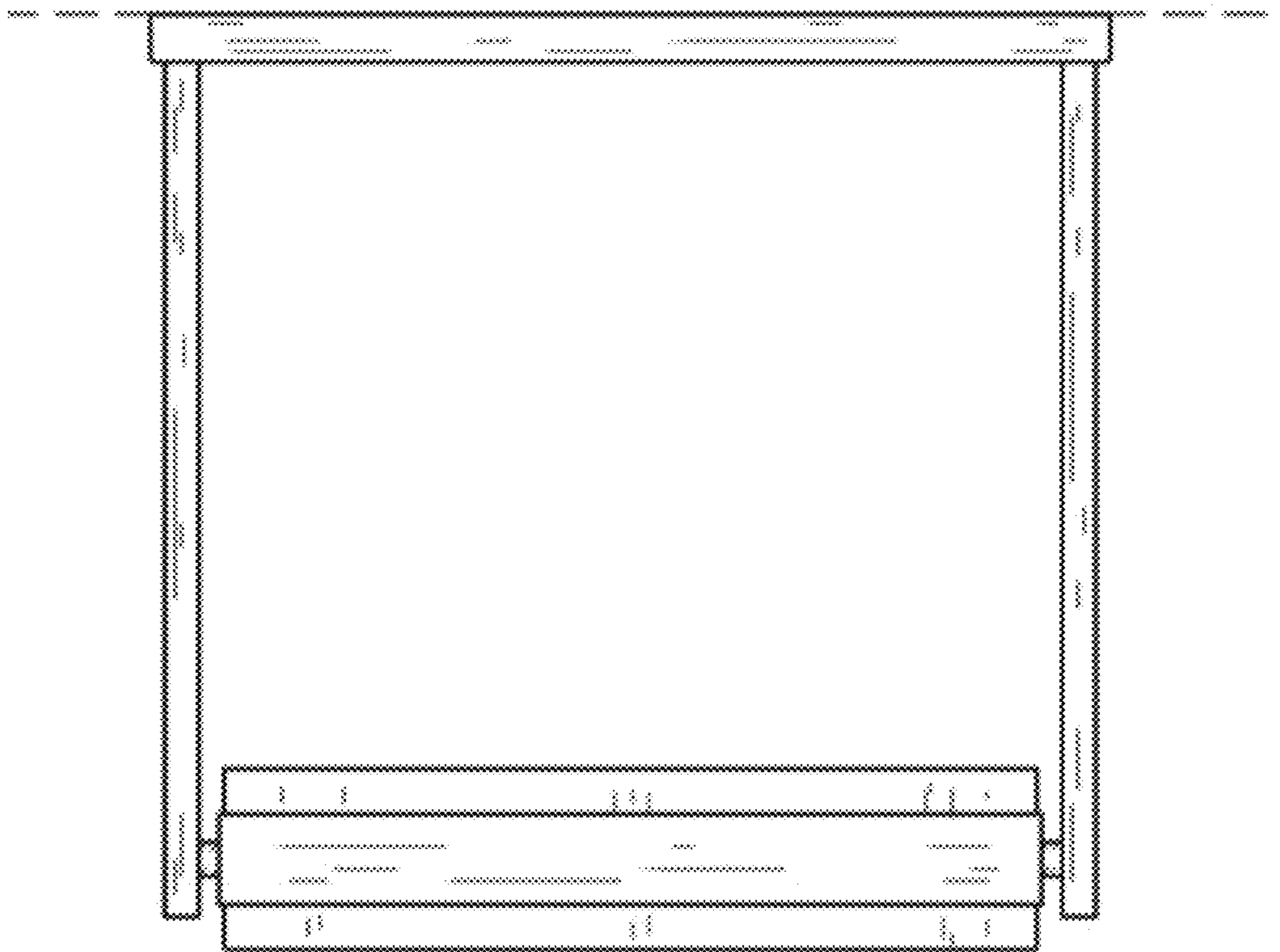


FIG. 5

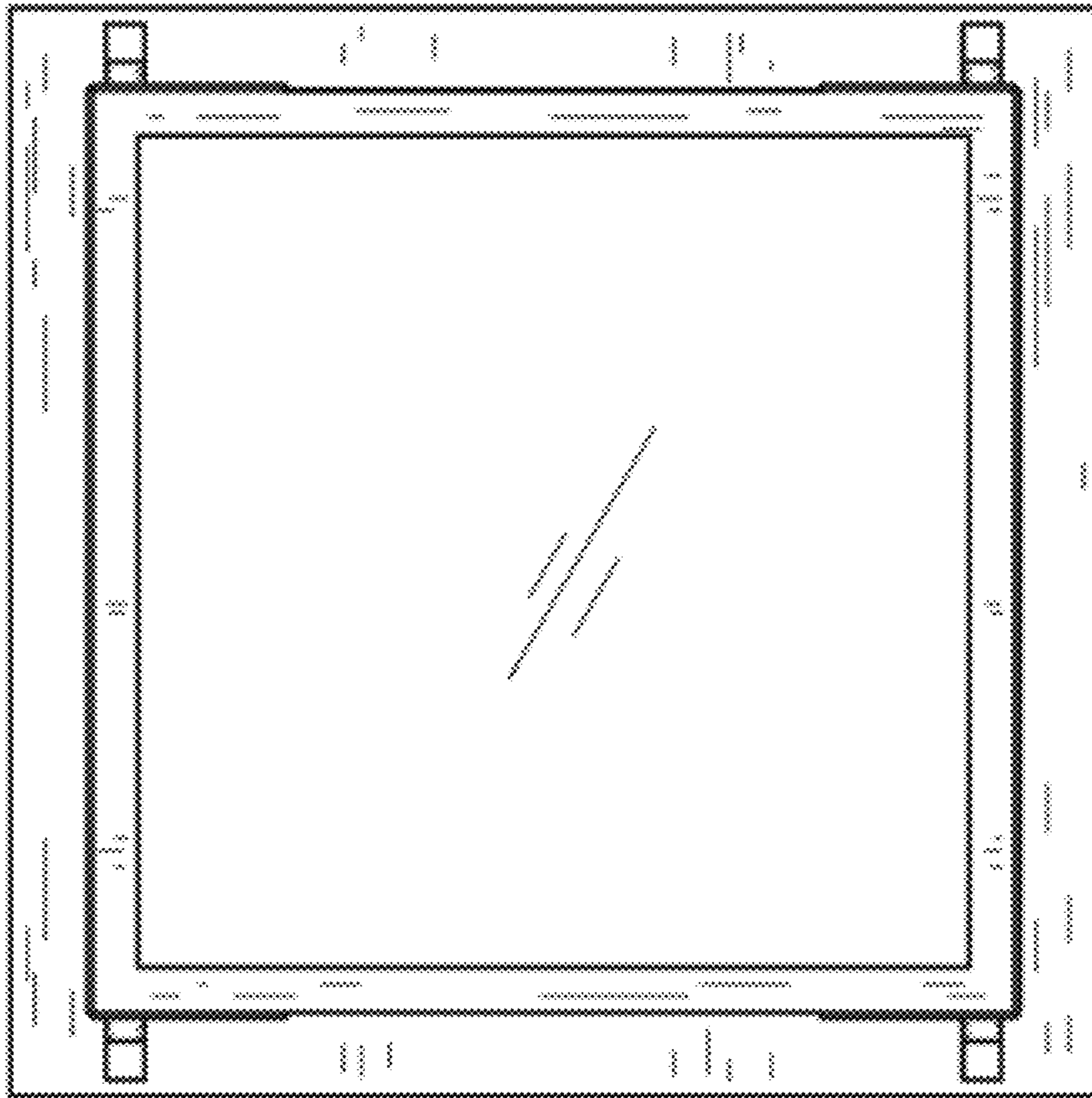


FIG. 6

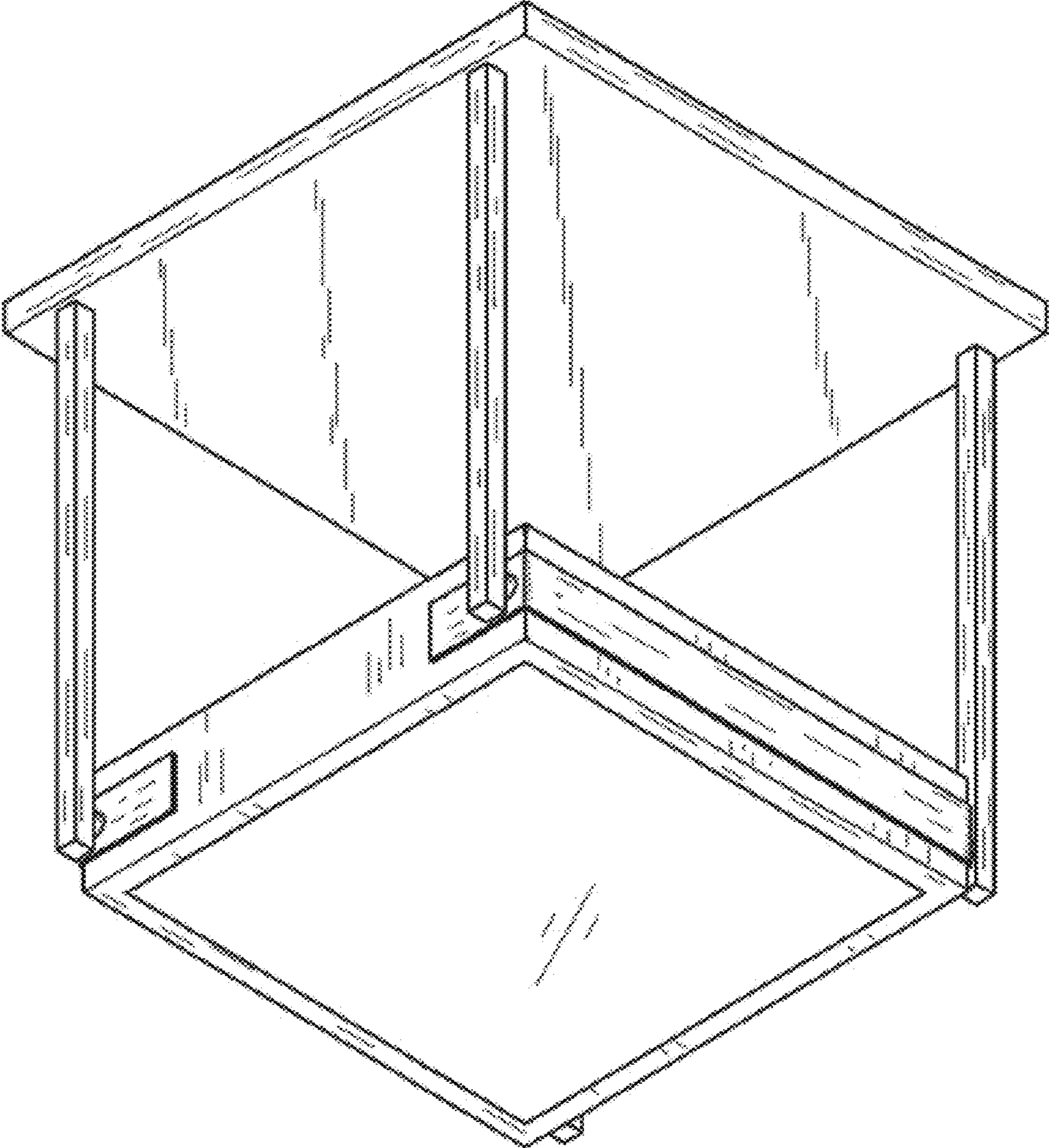


FIG. 7