



US00D831261S

(12) **United States Design Patent**
Ding et al.

(10) **Patent No.:** **US D831,261 S**
(45) **Date of Patent:** **** Oct. 16, 2018**

(54) **LAMP**

(71) Applicant: **Lighting Solutions Group LLC**,
Columbus, OH (US)

(72) Inventors: **Deliang Ding**, Guangdong (CN); **T K Liang**, Guangdong (CN); **Gerald Lauck**, Columbus, OH (US); **Ricky Nathans**, Columbus, OH (US)

(**) Term: **15 Years**

(21) Appl. No.: **29/572,214**

(22) Filed: **Jul. 26, 2016**

(51) **LOC (11) Cl.** **26-03**

(52) **U.S. Cl.**
USPC **D26/88**; D26/72

(58) **Field of Classification Search**
USPC D26/72, 80, 83, 85, 88, 89
CPC F21S 8/03; F21S 8/04; F21S 8/043; F21S 8/06; F21S 8/061; F21S 8/063; F21V 21/008; F21V 21/02; F21V 29/2212; F21V 29/767; F21V 29/77; F21V 29/777; F21V 29/78

See application file for complete search history.

(56) **References Cited**

U.S. PATENT DOCUMENTS

D199,631 S	11/1964	Petersen	
3,270,192 A	8/1966	Watson	
D206,392 S	12/1966	Winslow	
D226,534 S	3/1973	Anderson	
D342,801 S	12/1993	Poon	
D642,316 S *	7/2011	Zheng	D26/2
D646,428 S	10/2011	Gordin et al.	
D648,472 S	11/2011	Lin et al.	
D650,513 S *	12/2011	Blincoe	D26/118
D651,735 S *	1/2012	Dai	D26/72
D658,805 S	5/2012	Orrom et al.	
D673,320 S *	12/2012	Guercio	D26/89

(Continued)

OTHER PUBLICATIONS

Lite line illuminations, Sen 15—950+ Lumen LED Recessed Light, <http://webcache.googleusercontent.com/search?q=cache:6PSYpT9godgJ:halogenlighting.com/sen15-led.html+%22specification+grade+led%22&cd=3&hl=en&ct=clnk&gl=us&source=www.google.com>, May 10, 2011.

(Continued)

Primary Examiner — Clare E Heflin

(74) *Attorney, Agent, or Firm* — Standley Law Group LLP

(57) **CLAIM**

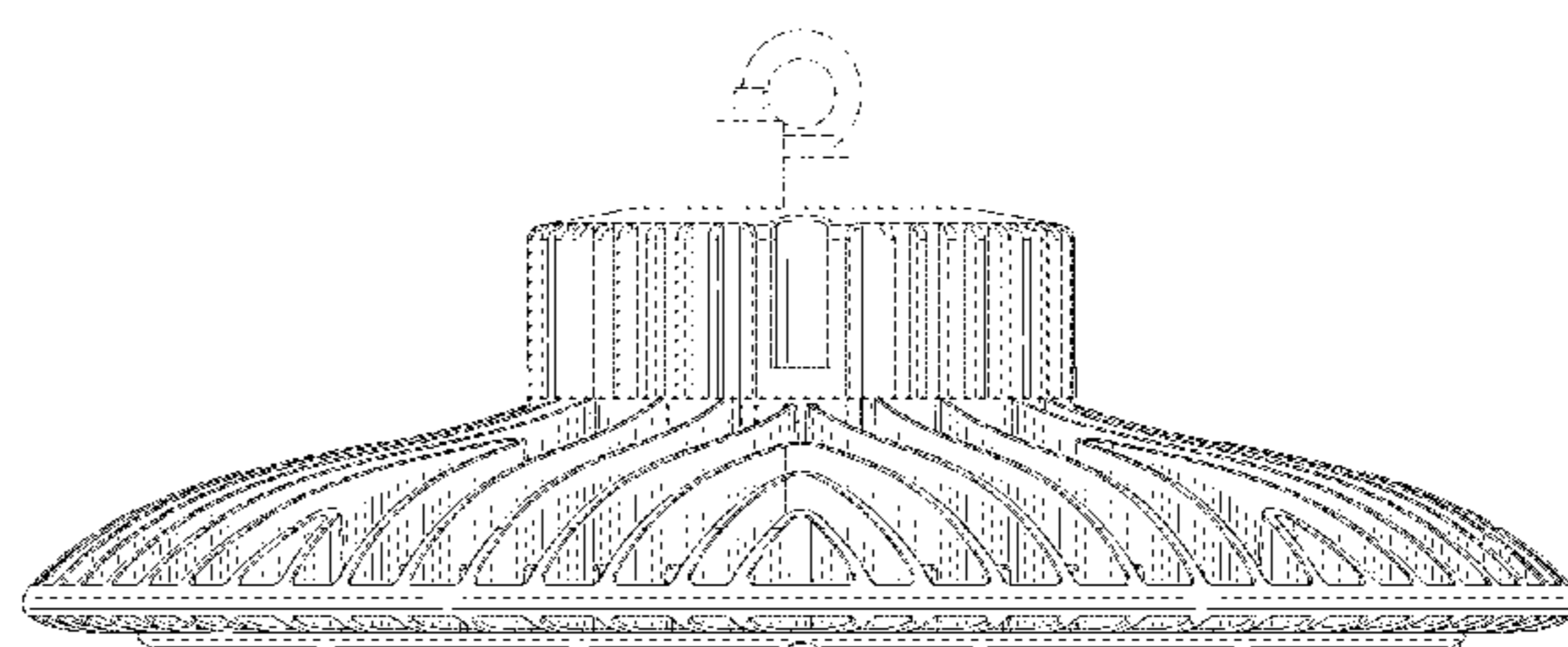
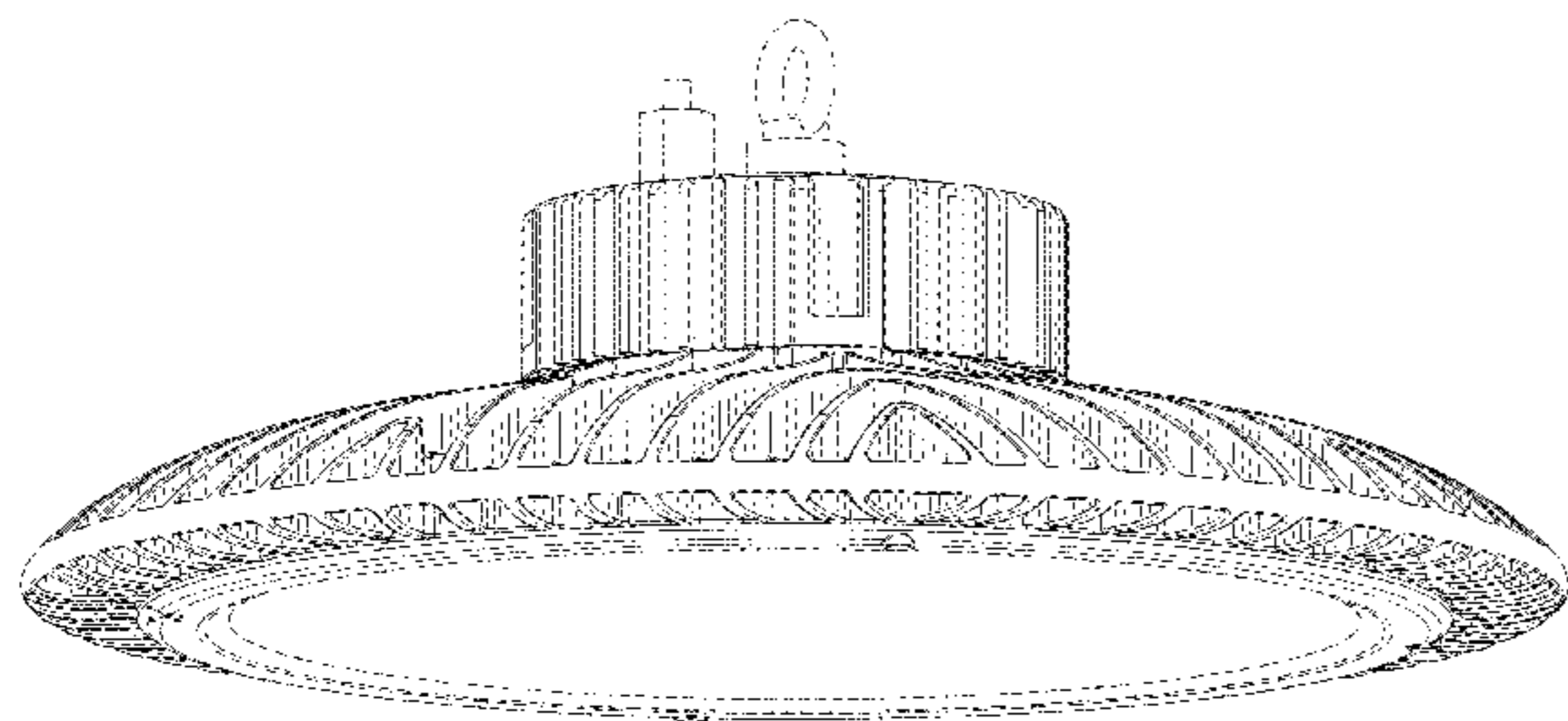
The ornamental design for a lamp, as shown and described above.

DESCRIPTION

FIG. 1 is a top perspective view of an exemplary lamp of the present invention; FIG. 2 is bottom perspective view of the FIG. 1 embodiment; FIG. 3 is a front elevation view of the FIG. 1 embodiment; FIG. 4 is a top plan view of the FIG. 1 embodiment; FIG. 5 is a bottom plan view of the FIG. 1 embodiment; FIG. 6 is bottom perspective view of the FIG. 1 embodiment shown with an exemplary diffusor lens; FIG. 7 is a front elevation view of the FIG. 1 embodiment and the exemplary diffusor lens shown in FIG. 6; FIG. 8 is a top perspective view of the FIG. 1 embodiment shown with an exemplary reflector; FIG. 9 is a bottom perspective view of the FIG. 1 embodiment and the exemplary reflector shown in FIG. 8; FIG. 10 is a front elevation view of the FIG. 1 embodiment and the exemplary reflector shown in FIG. 8; and, FIG. 11 is a top plan view of the FIG. 1 embodiment and the exemplary reflector shown in FIG. 8.

The broken lines shown on the drawings depict portions of the lamp that form no part of the claimed design.

1 Claim, 10 Drawing Sheets



(56)

References Cited

U.S. PATENT DOCUMENTS

D688,408 S * 8/2013 Wung D26/72
 D690,450 S 9/2013 Guercio et al.
 D690,453 S 9/2013 Guercio et al.
 8,764,243 B2* 7/2014 Zimmer F21V 7/0008
 362/249.02
 D739,587 S * 9/2015 Largent D26/63
 D748,840 S * 2/2016 Lee D26/2
 D767,191 S 9/2016 DeMaio et al.
 D780,357 S 2/2017 Kliegl
 D784,597 S * 4/2017 Wilson D26/88
 D789,585 S * 6/2017 Ye D26/72
 D795,488 S * 8/2017 Holscher D26/89
 2010/0208461 A1 8/2010 Xiang et al.
 2011/0002124 A1* 1/2011 Chang F21V 19/001
 362/294
 2013/0265752 A1 10/2013 Shimizu
 2013/0322074 A1* 12/2013 Guercio F21V 29/002
 362/235
 2014/0021884 A1* 1/2014 Fetterly H05B 33/0854
 315/297

2014/0078756 A1 3/2014 Tuttle
 2014/0199168 A1 7/2014 Spiro
 2015/0167922 A1 6/2015 Casper et al.
 2015/0176823 A1* 6/2015 Leshniak F21V 21/14
 362/235
 2016/0369995 A1 12/2016 Jang et al.
 2017/0146225 A1* 5/2017 Chien F21V 29/77

OTHER PUBLICATIONS

Dimmable LED Festoon Bulb—12 Volt, <http://www.1000bulbs.com/product/64655/LED-SYM1250.html>, Jan. 17, 2012.
 Prescolite, LED downlights from Prescolite make the grade, <http://www.ledsmagazine.com/features/3/12/9>, Dec. 2006.
 Acculamp, <http://acculampdlamps.com>, Jan. 17, 2012.
 North Star Lighting, Inc., <http://www.northstarlightingsite.com/categories.php?category=LED/Round-Flood>, Jan. 17, 2012.
 U.S. Department of Energy, Thermal Management of White LEDs, Feb. 2007.

* cited by examiner

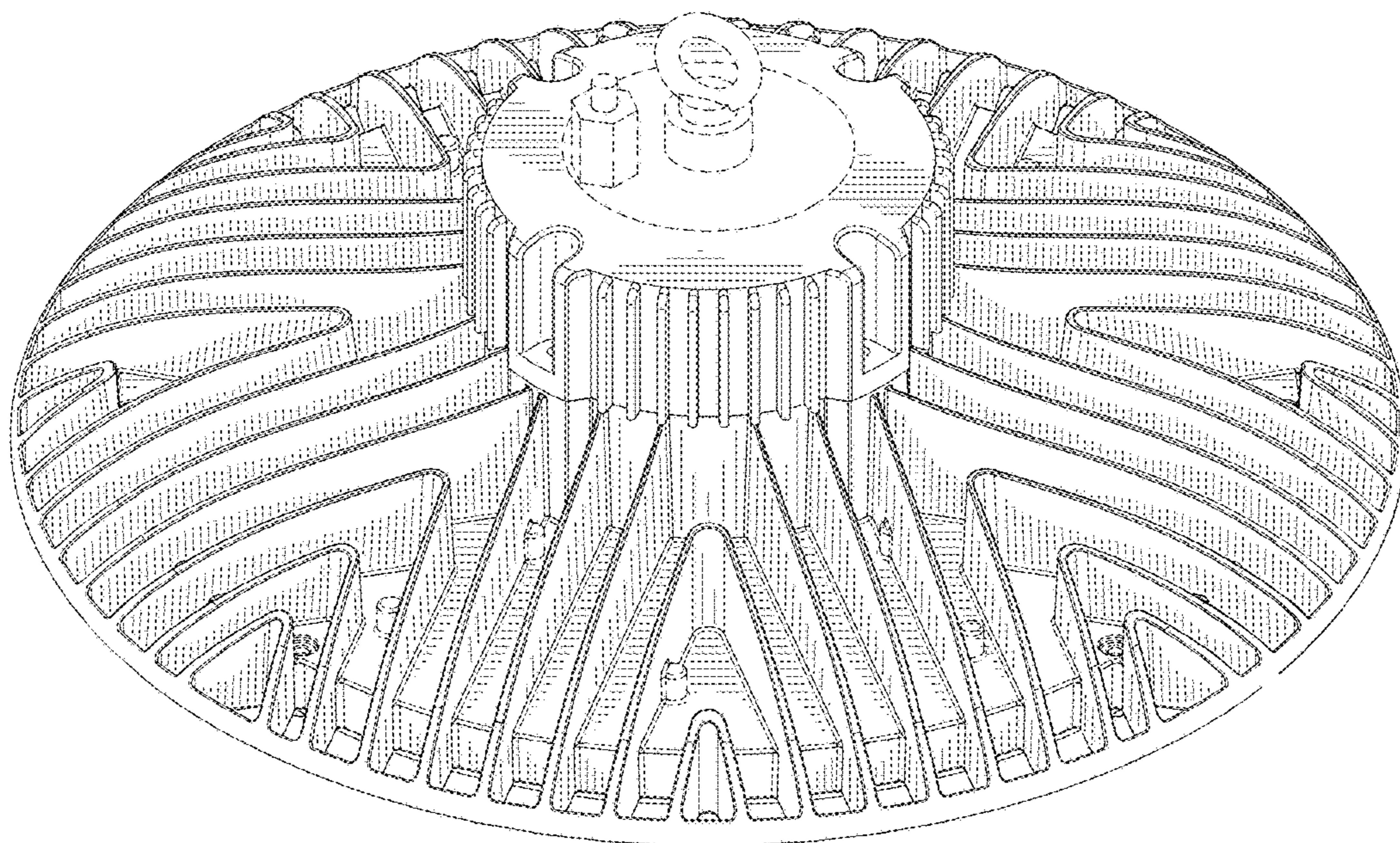


FIG. 1

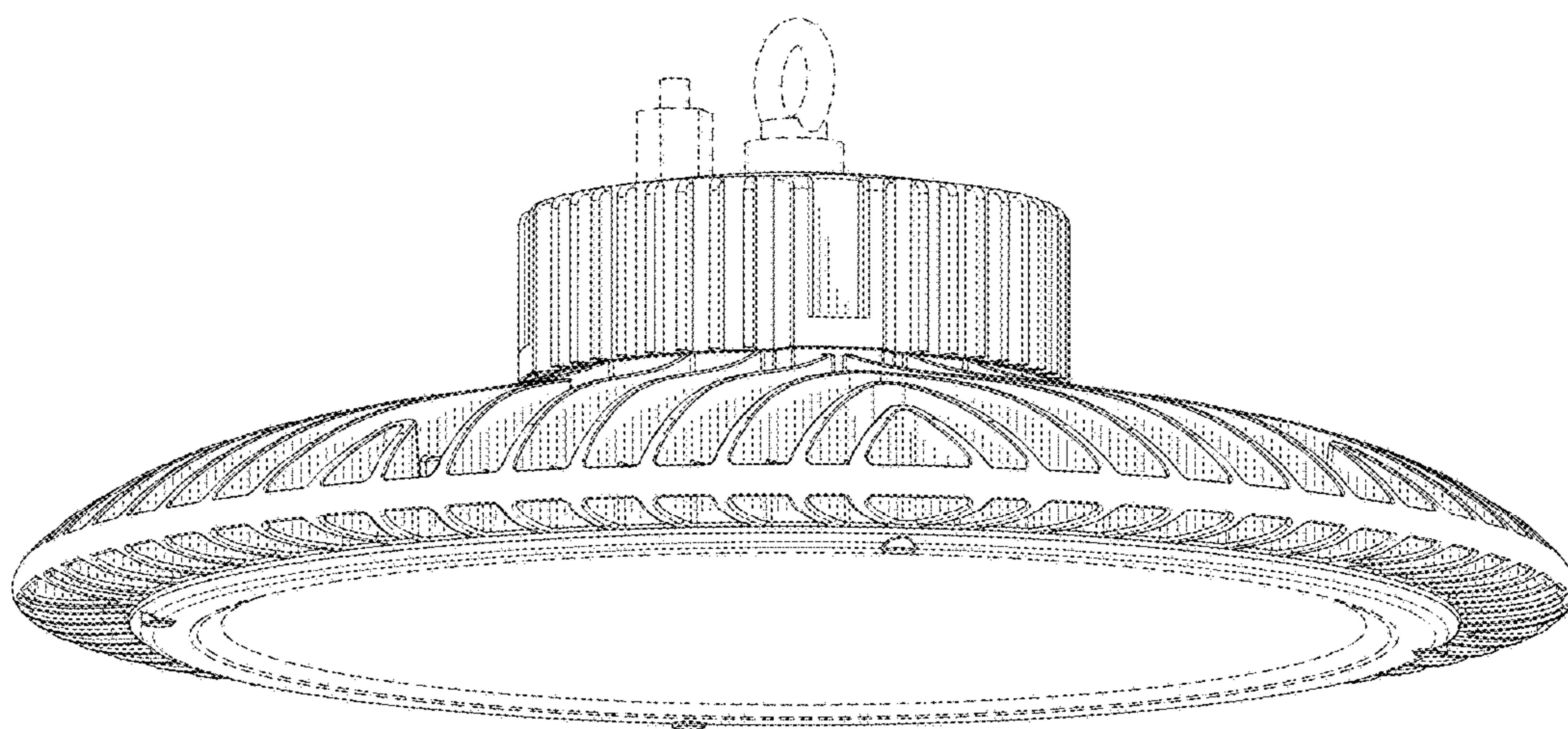


FIG. 2

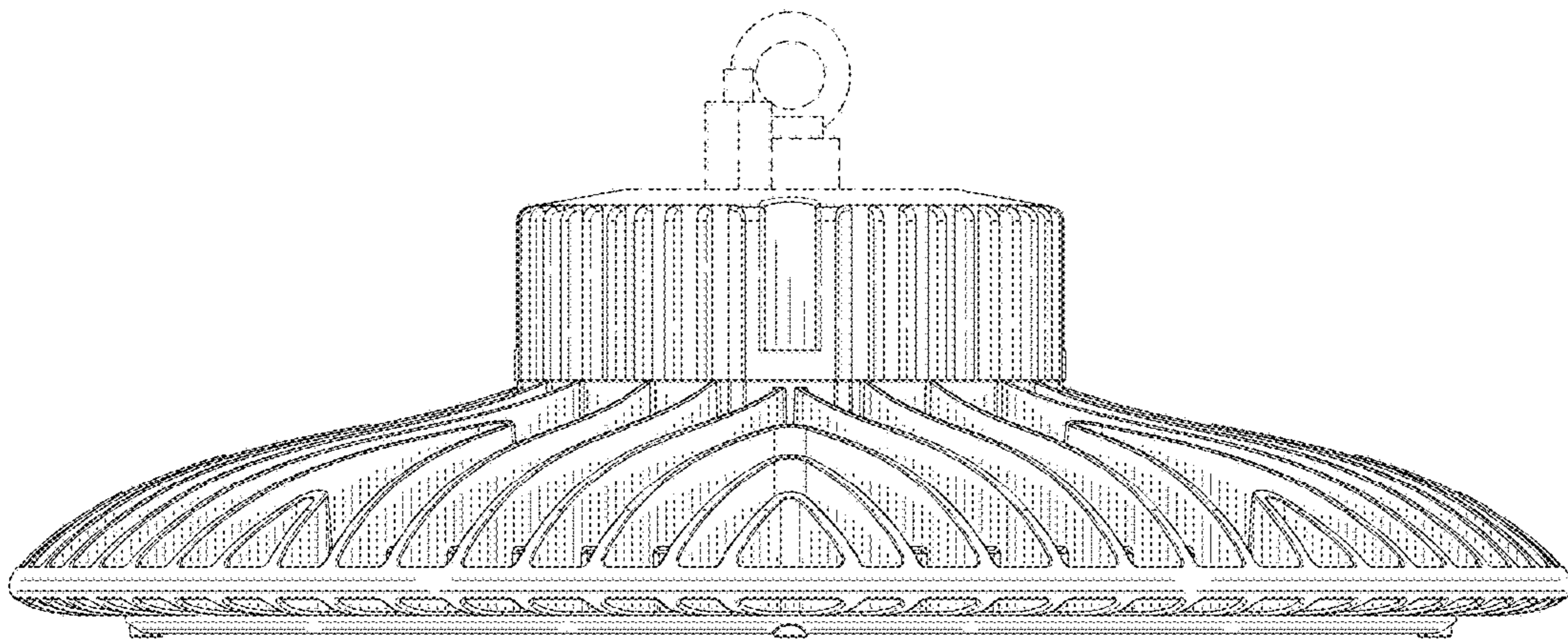


FIG. 3

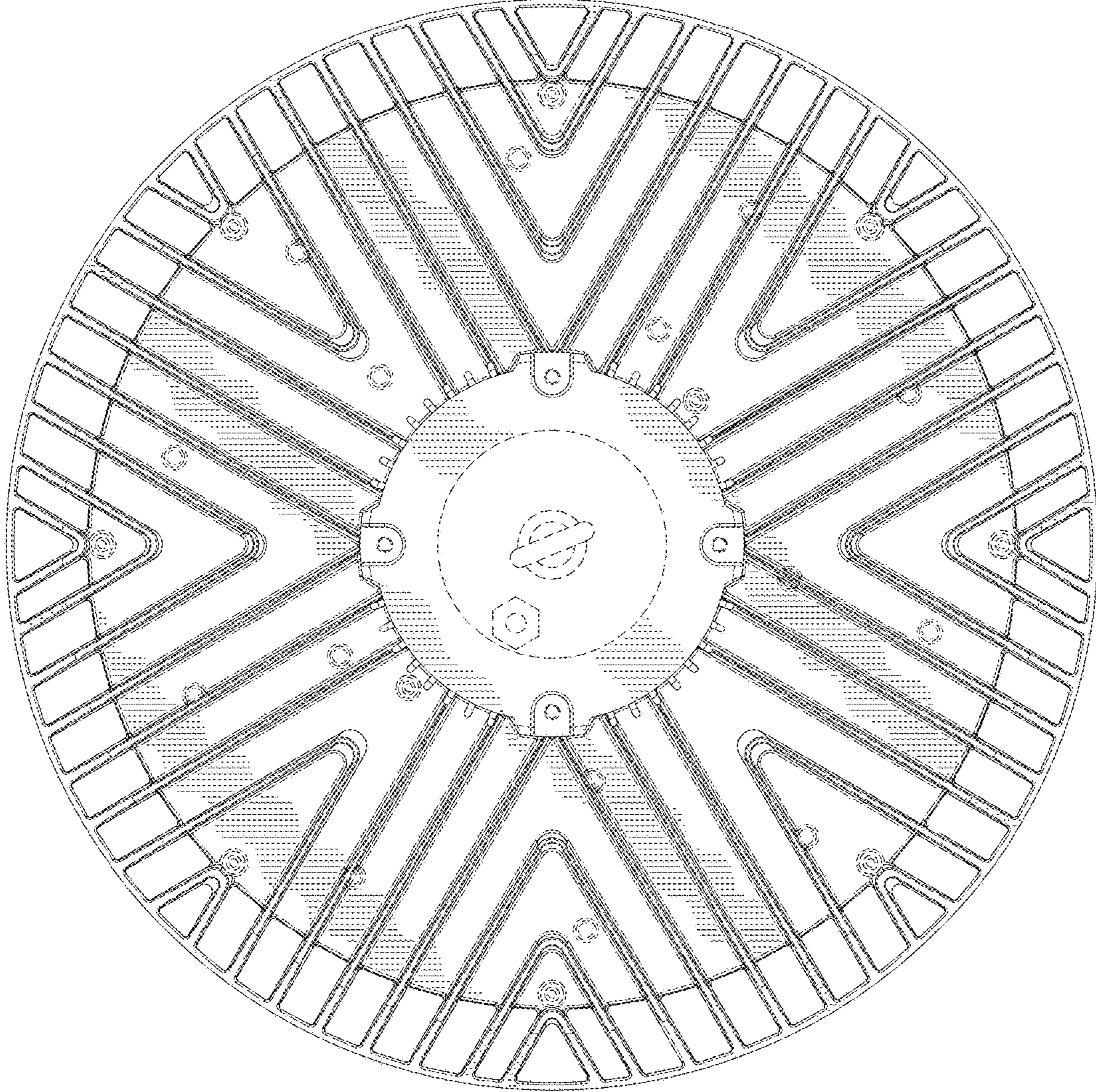


FIG.4

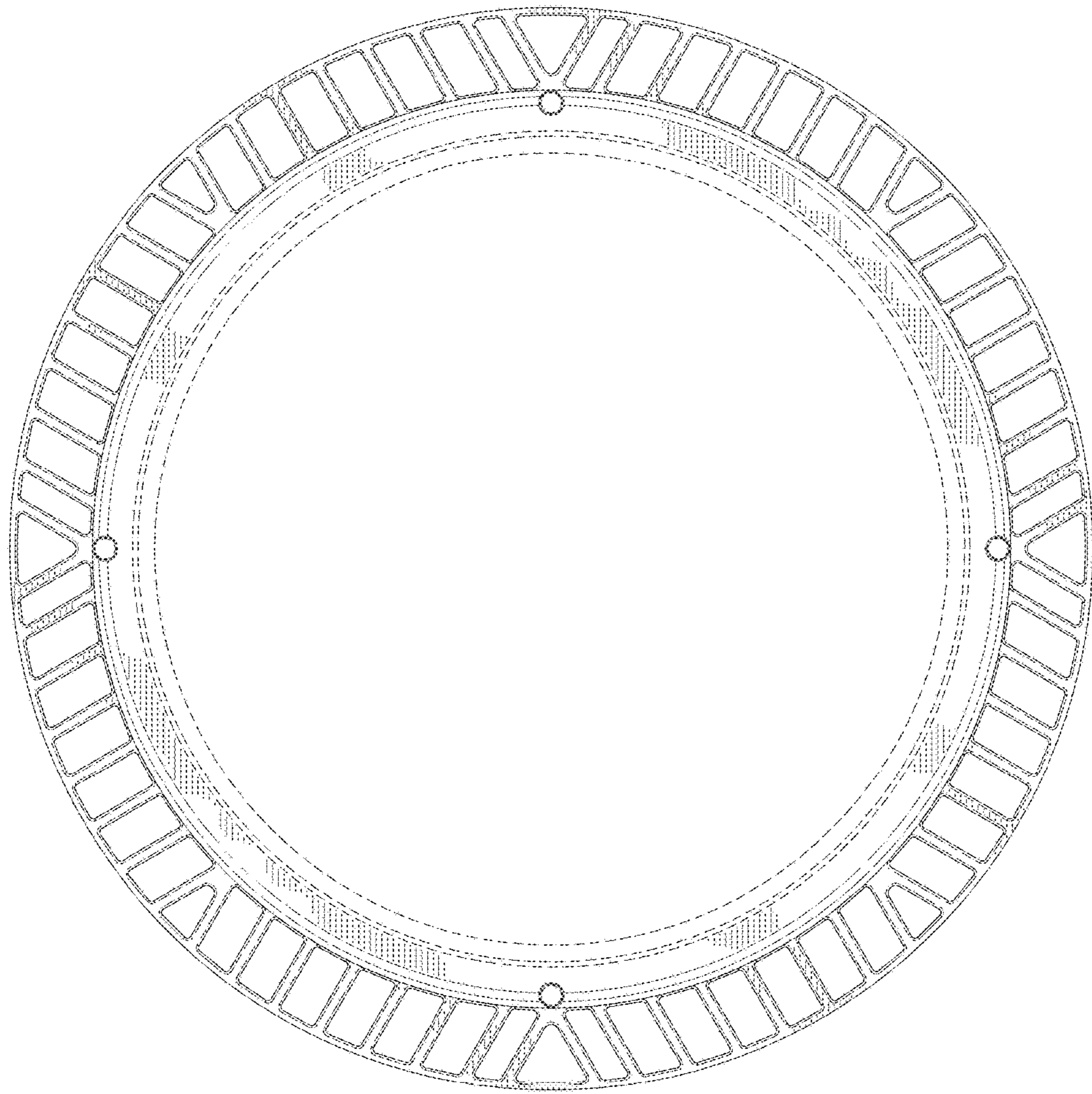


FIG. 5

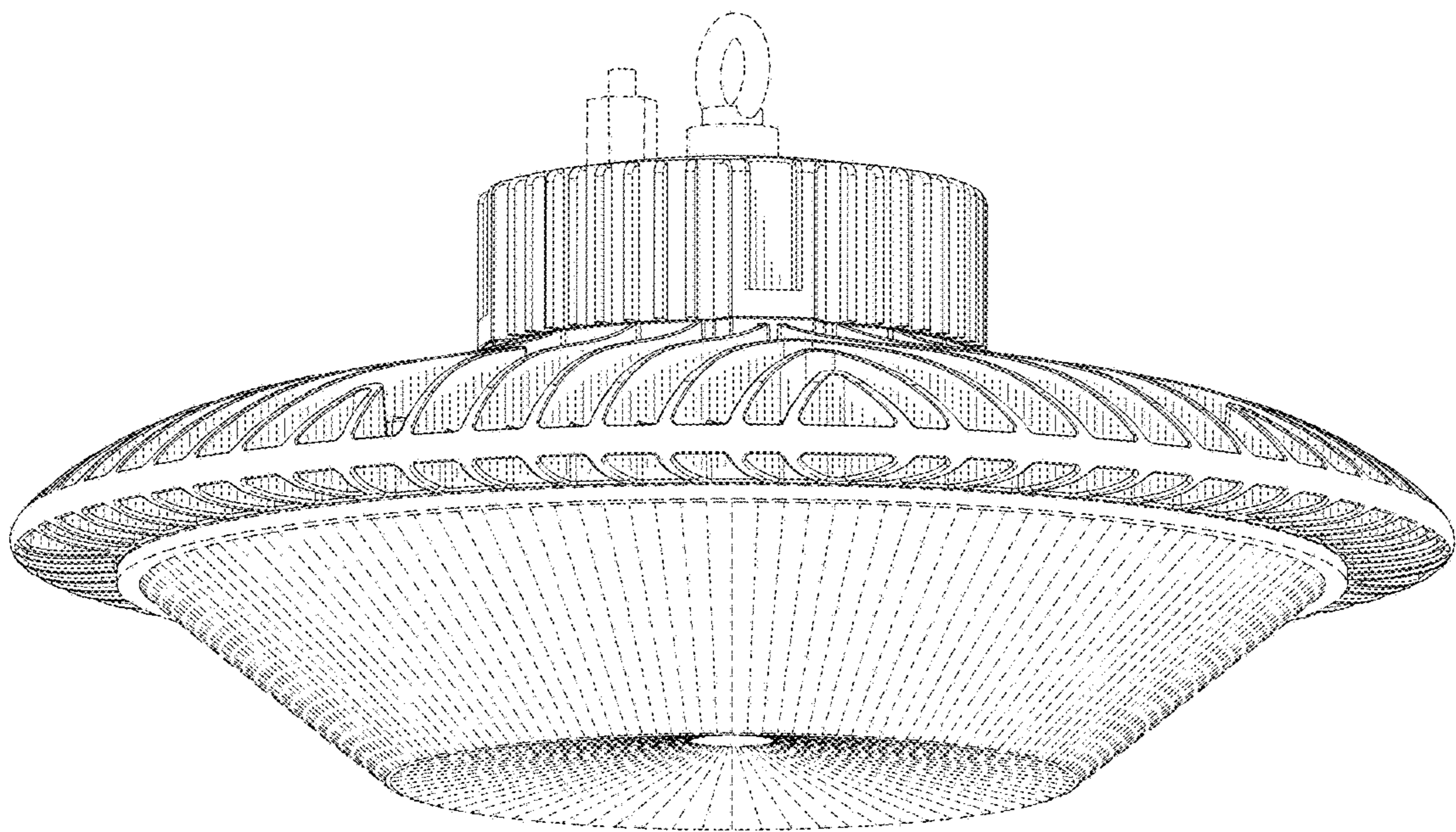


FIG. 6

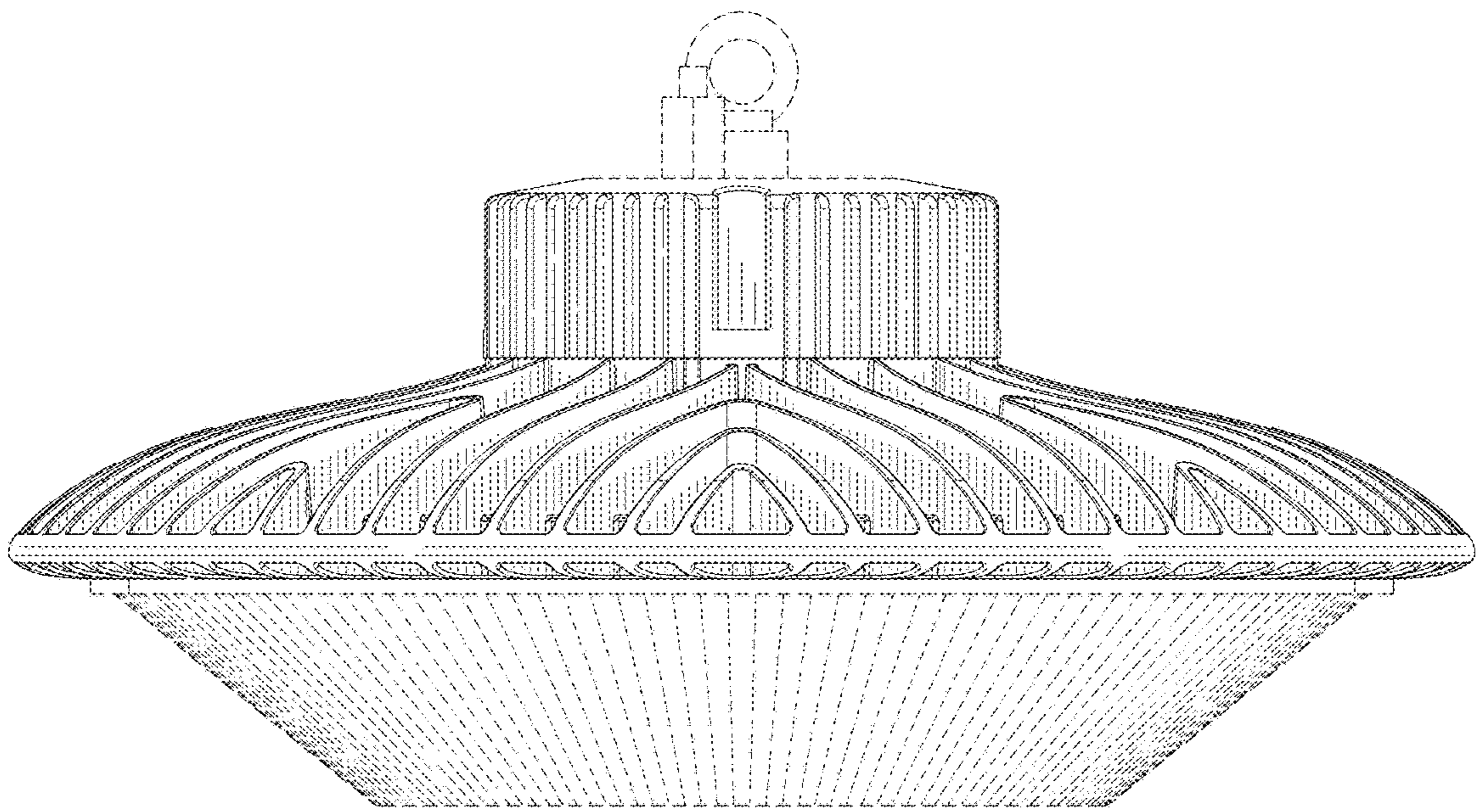


FIG. 7

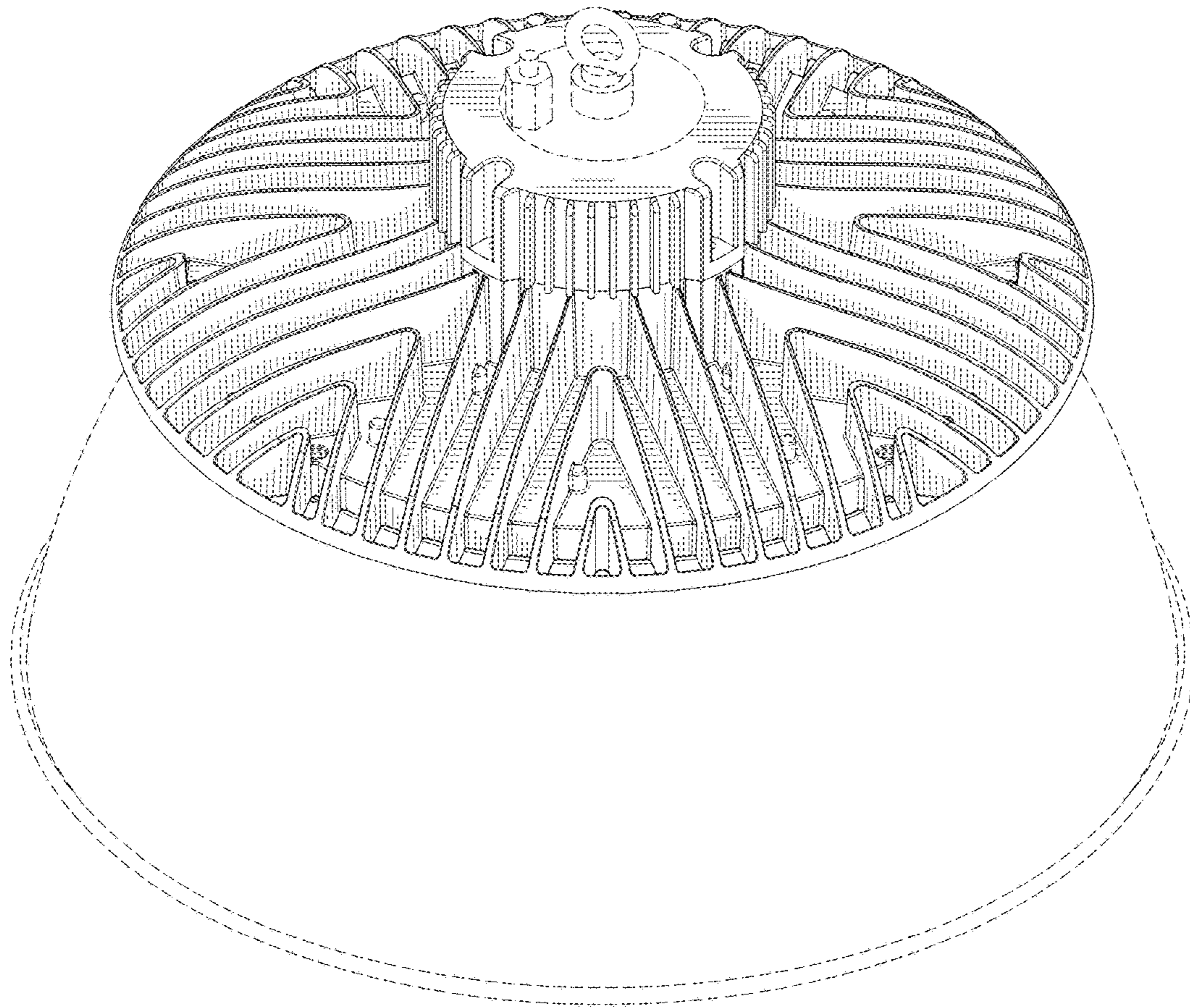


FIG. 8

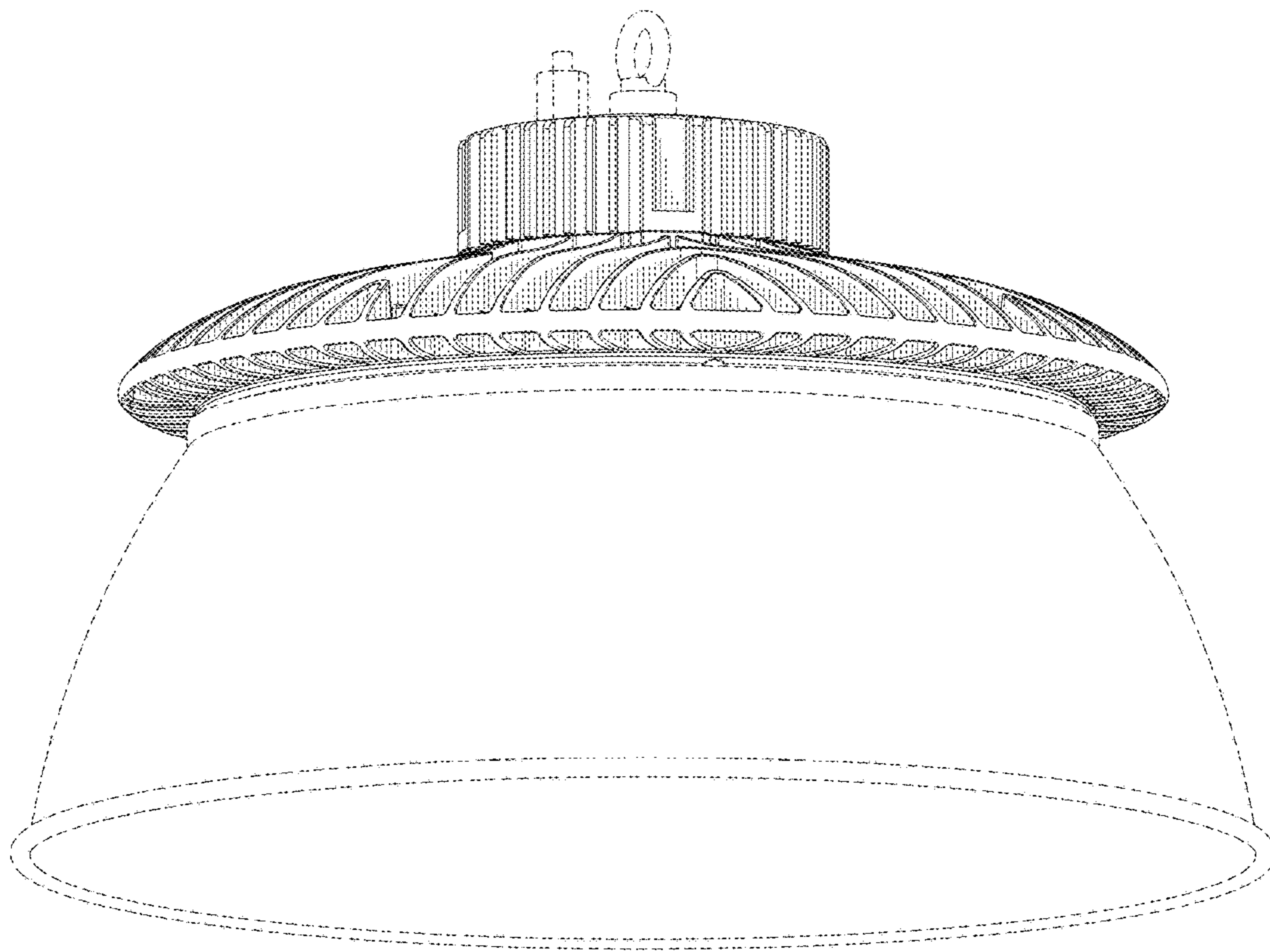


FIG. 9

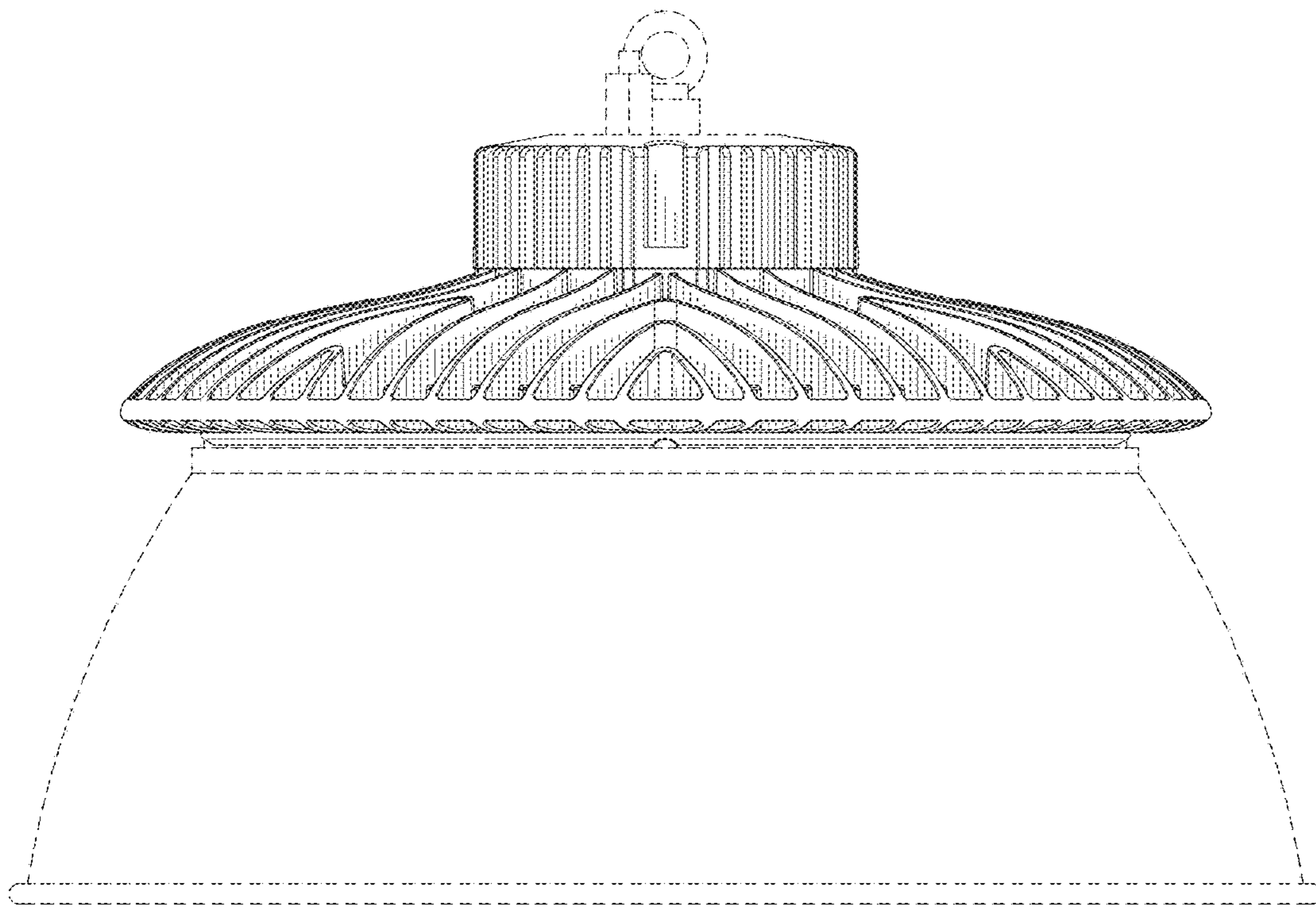


FIG. 10

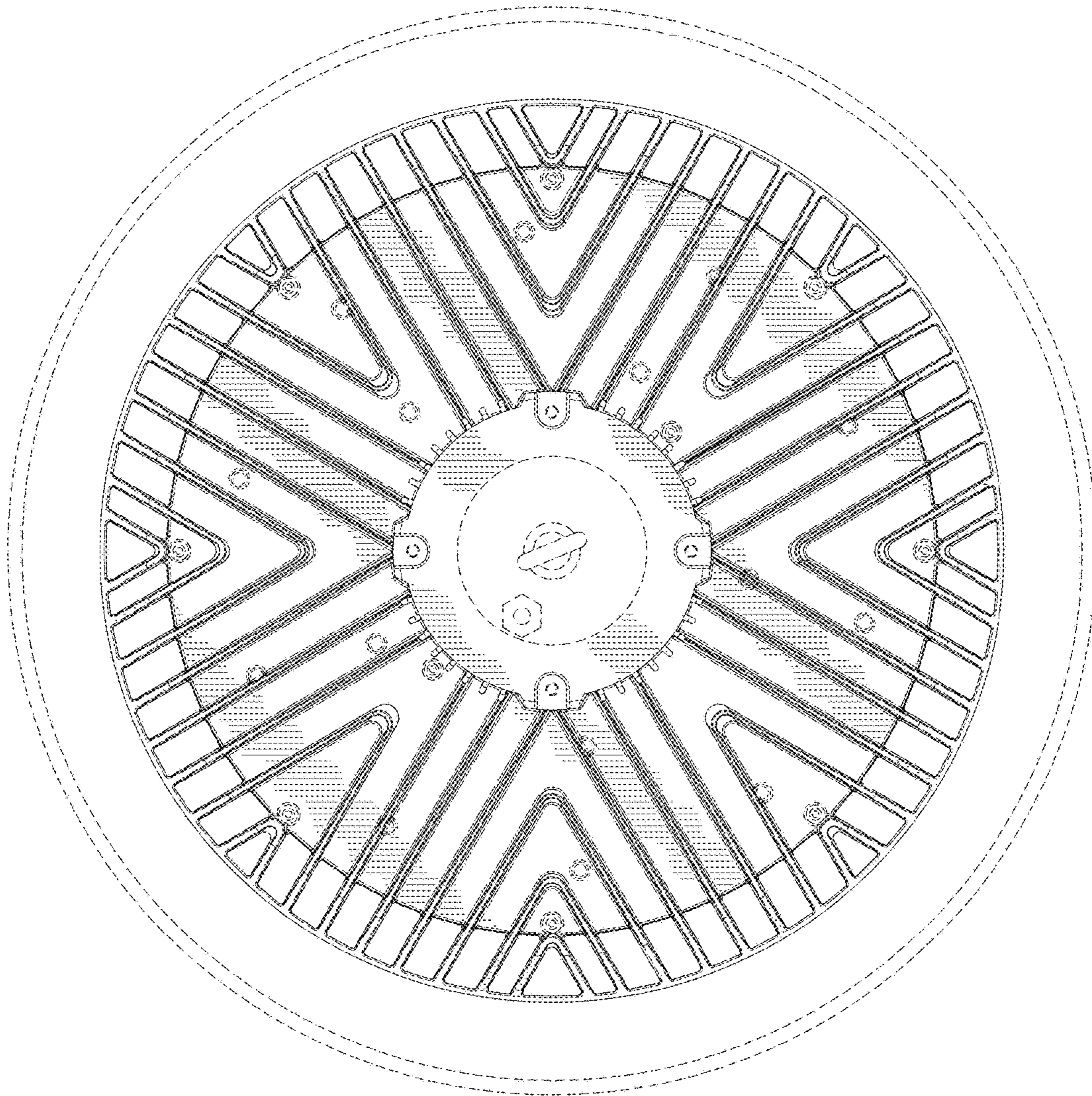


FIG. 11