



US00D831259S

(12) **United States Design Patent**  
**Chen et al.**

(10) **Patent No.:** **US D831,259 S**

(45) **Date of Patent:** **\*\* Oct. 16, 2018**

(54) **SOLAR WALL LAMP**  
(71) Applicant: **Xiamen Topunive Technology Co., Ltd.**, Xiamen (CN)  
(72) Inventors: **Mingjin Chen**, Xiamen (CN);  
**Guangde Gao**, Xiamen (FJ);  
**Xiangfeng Chen**, Xiamen (CN)  
(73) Assignee: **XIAMEN TOPUNIVE TECHNOLOGY CO., LTD.**, Xiamen, Fujian (CN)  
(\*\*) Term: **15 Years**

(21) Appl. No.: **29/583,614**  
(22) Filed: **Nov. 8, 2016**  
(51) **LOC (11) Cl.** ..... **26-03**  
(52) **U.S. Cl.**  
USPC ..... **D26/87**  
(58) **Field of Classification Search**  
USPC ..... D26/67, 71, 72, 85, 87, 92; D13/102  
CPC .... F21S 8/03; F21S 8/033; F21S 8/036; F21S 8/037; F21S 9/022; F21S 9/024; F21S 9/03; F21S 9/032; F21S 9/035; F21S 9/037; F21W 2131/107  
See application file for complete search history.

(56) **References Cited**  
U.S. PATENT DOCUMENTS  
D231,680 S \* 5/1974 Keller ..... D26/68  
D311,722 S \* 10/1990 Cheng ..... D13/102  
4,977,488 A \* 12/1990 Spotts ..... F21S 9/037  
136/291

5,453,729 A \* 9/1995 Chu ..... F21S 9/037  
340/321  
D422,735 S \* 4/2000 Lam ..... D26/68  
D570,769 S \* 6/2008 Holin ..... D13/102  
D573,751 S \* 7/2008 Citterio ..... D26/71  
D590,089 S \* 4/2009 Citterio ..... D26/87  
D654,207 S \* 2/2012 Fletcher ..... D26/63  
D797,658 S \* 9/2017 Feller ..... D13/102  
D816,883 S \* 5/2018 Mou ..... D26/87  
2010/0271815 A1\* 10/2010 Gomez ..... F21S 6/001  
362/184  
2015/0211694 A1\* 7/2015 Camenzuli ..... F21L 4/08  
362/183

\* cited by examiner

*Primary Examiner* — Clare E Heflin

(74) *Attorney, Agent, or Firm* — Leong C. Lei

(57) **CLAIM**

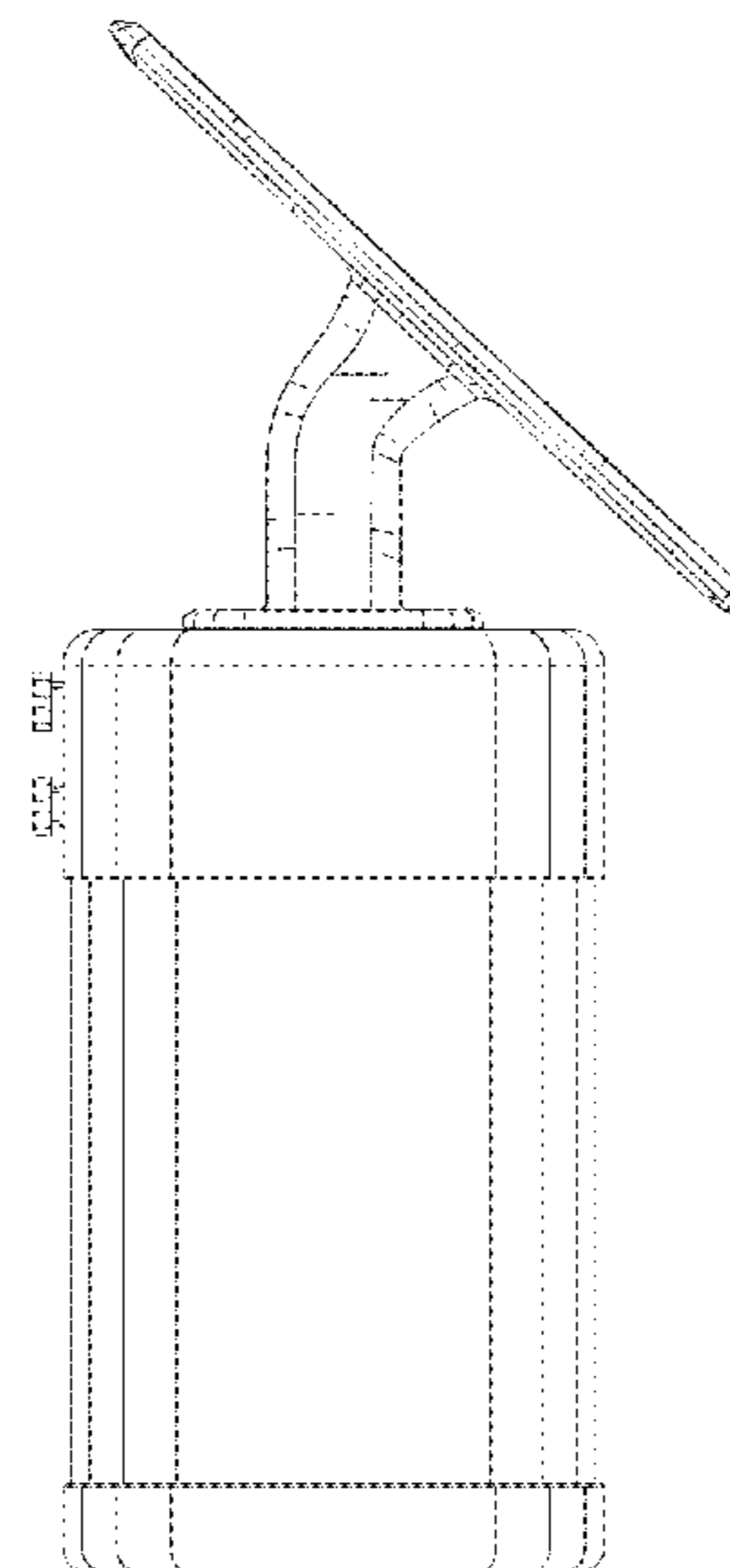
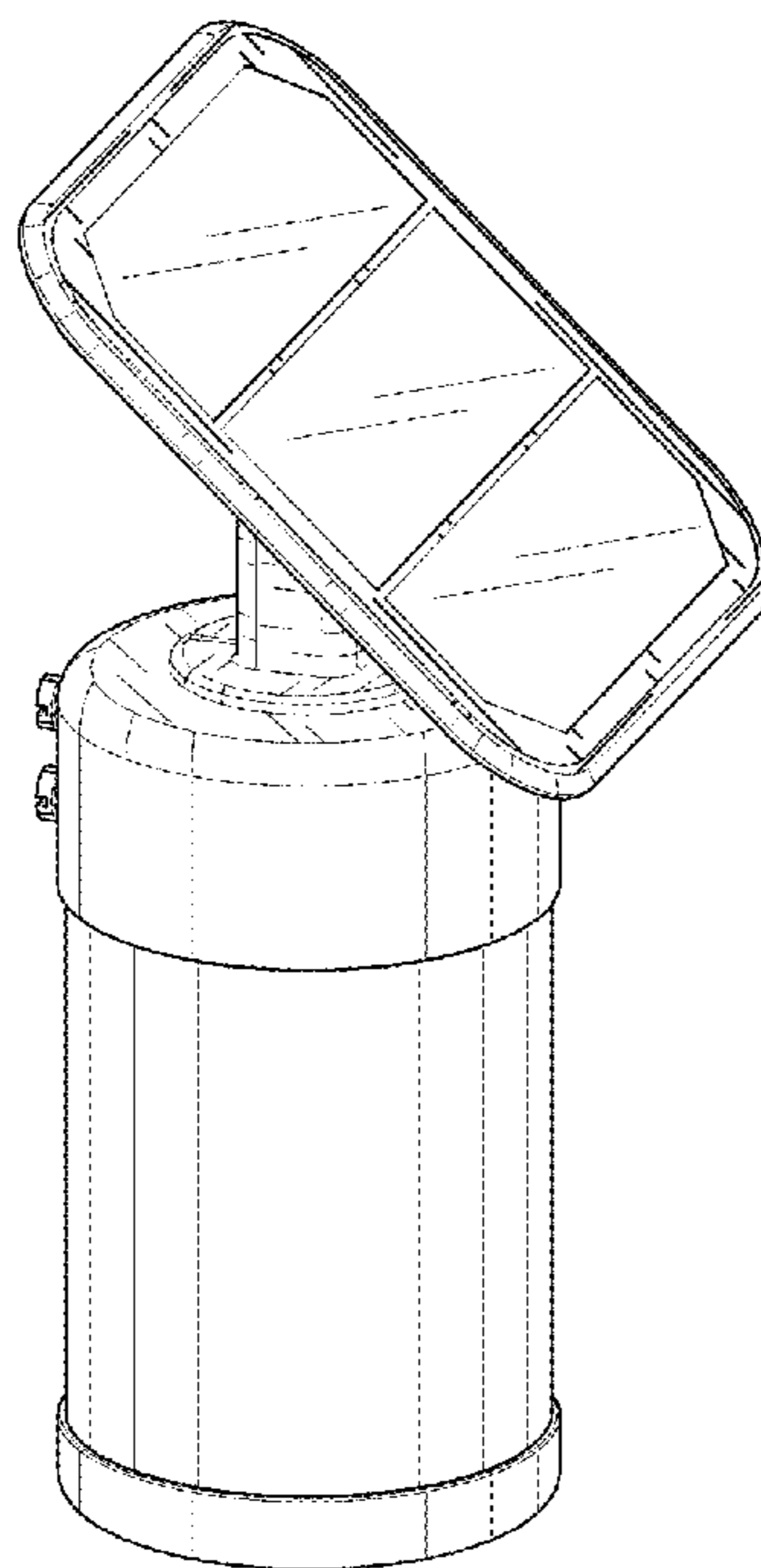
The ornamental design for a solar wall lamp, as shown and described.

**DESCRIPTION**

FIG. 1 is a perspective view of the solar wall lamp showing the present design;  
FIG. 2 is a front view thereof;  
FIG. 3 is a rear view thereof;  
FIG. 4 is a left side view thereof;  
FIG. 5 is a right side view thereof;  
FIG. 6 is a top view thereof; and,  
FIG. 7 is a bottom view thereof.

The broken lines shown in FIG. 7 depict portions of the solar wall lamp that form no part of the claimed design.

**1 Claim, 4 Drawing Sheets**



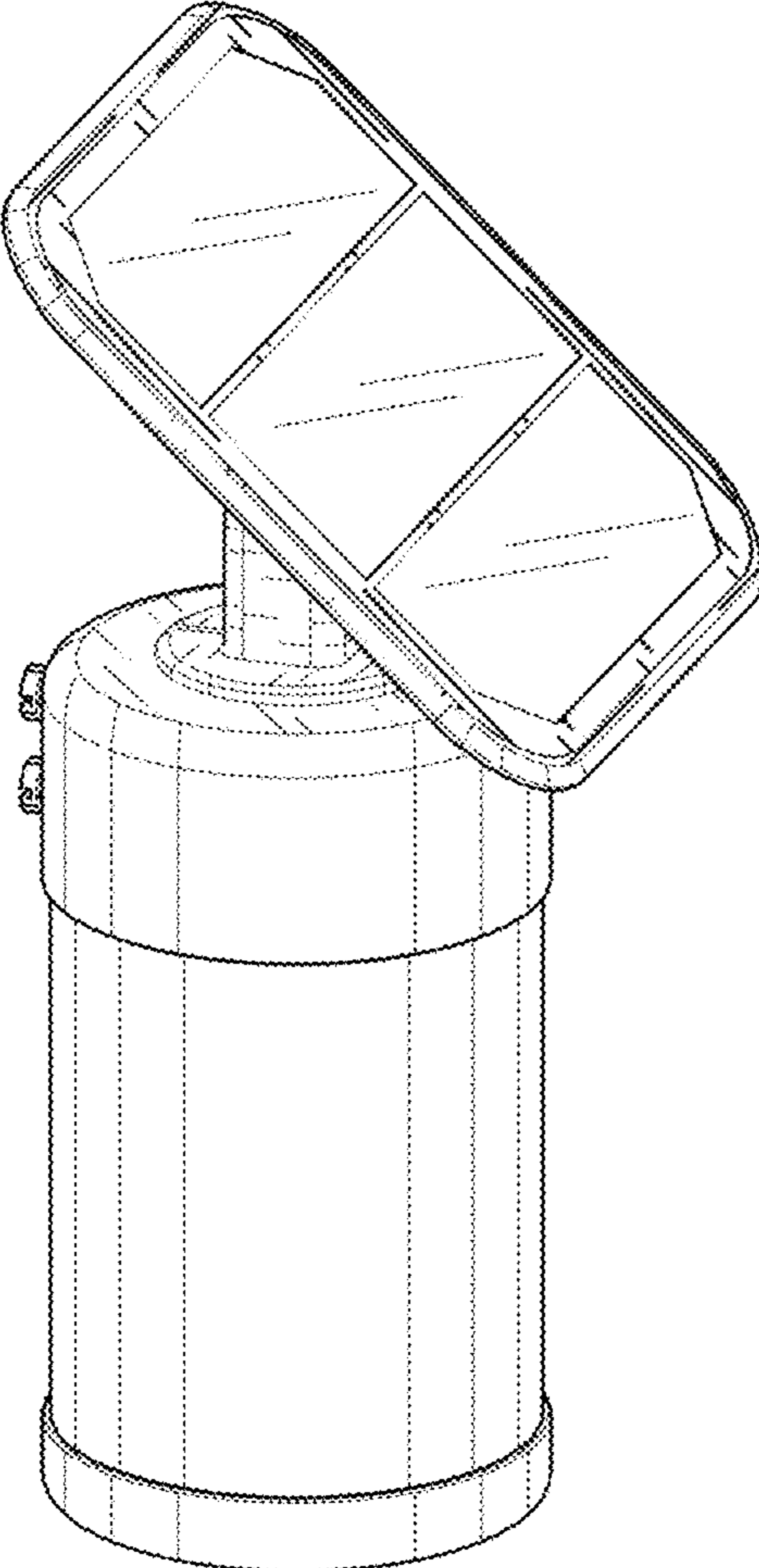
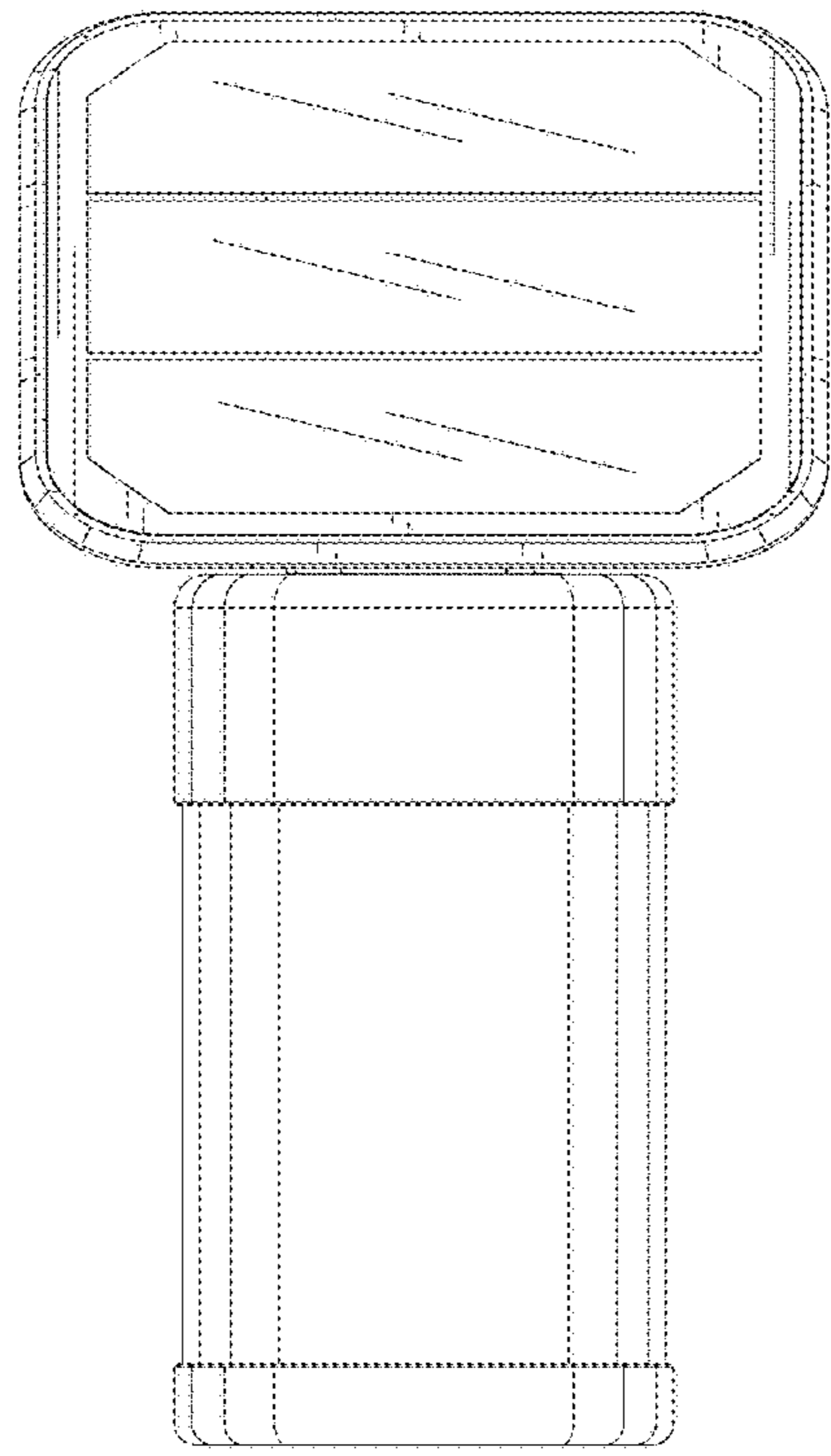
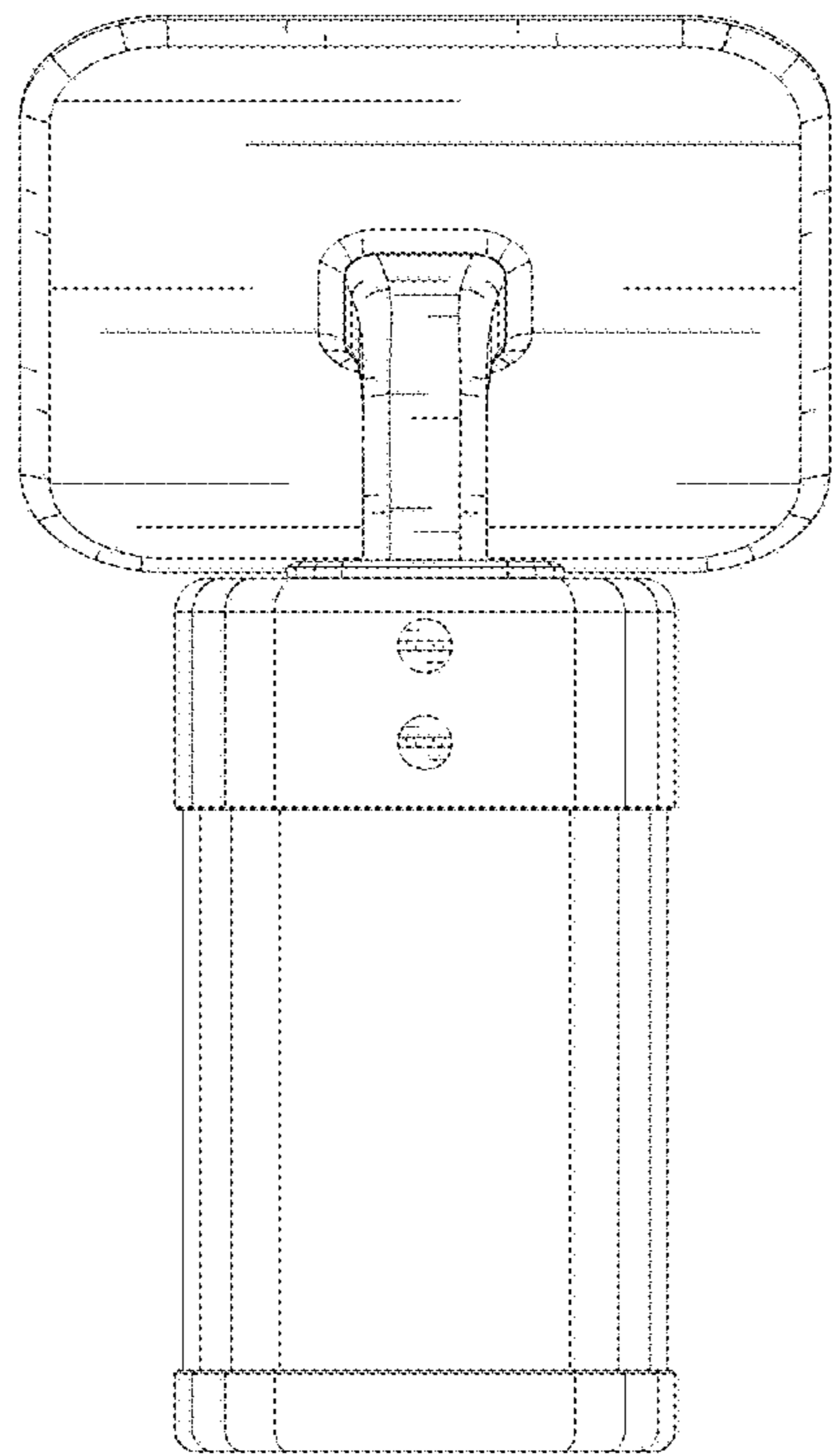


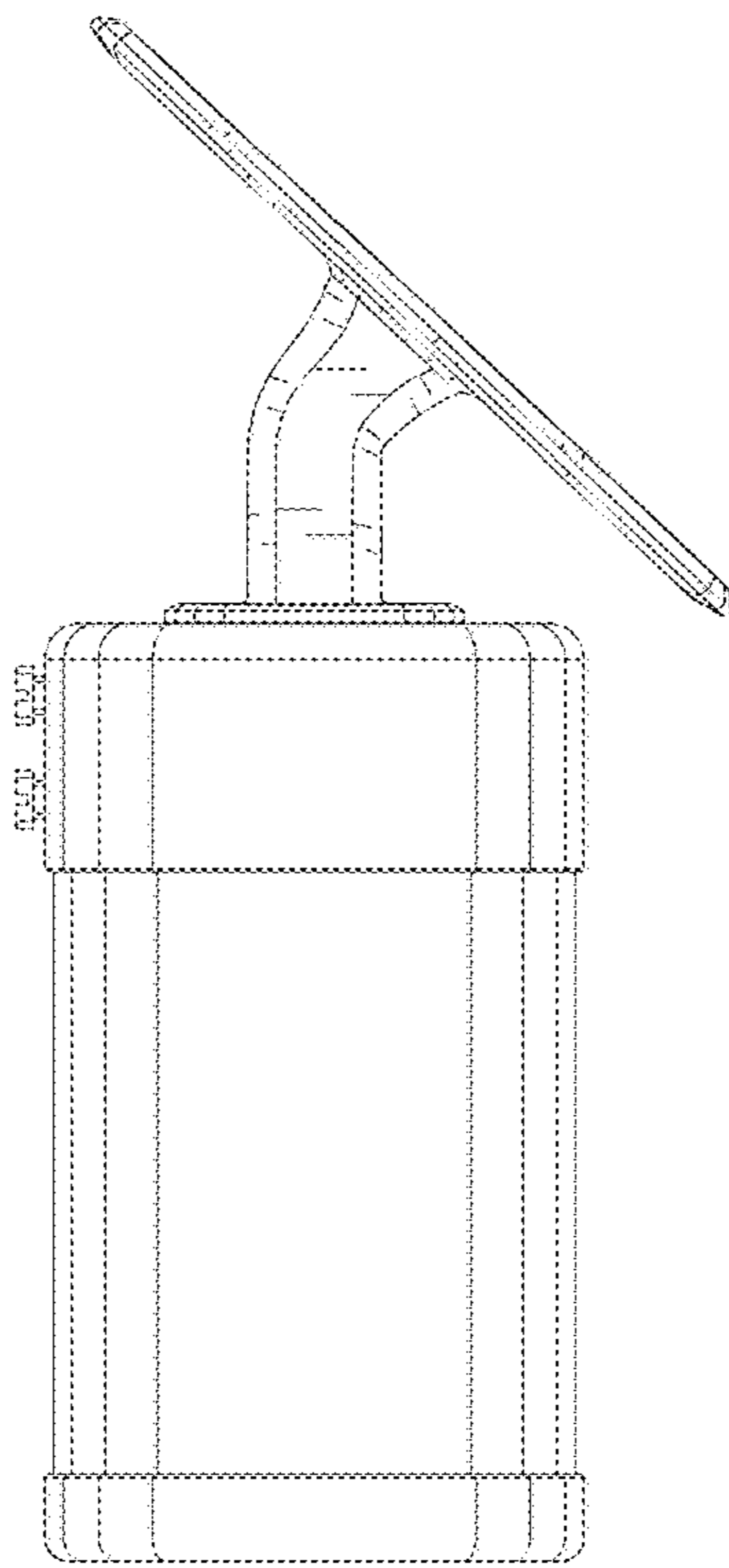
FIG. 1



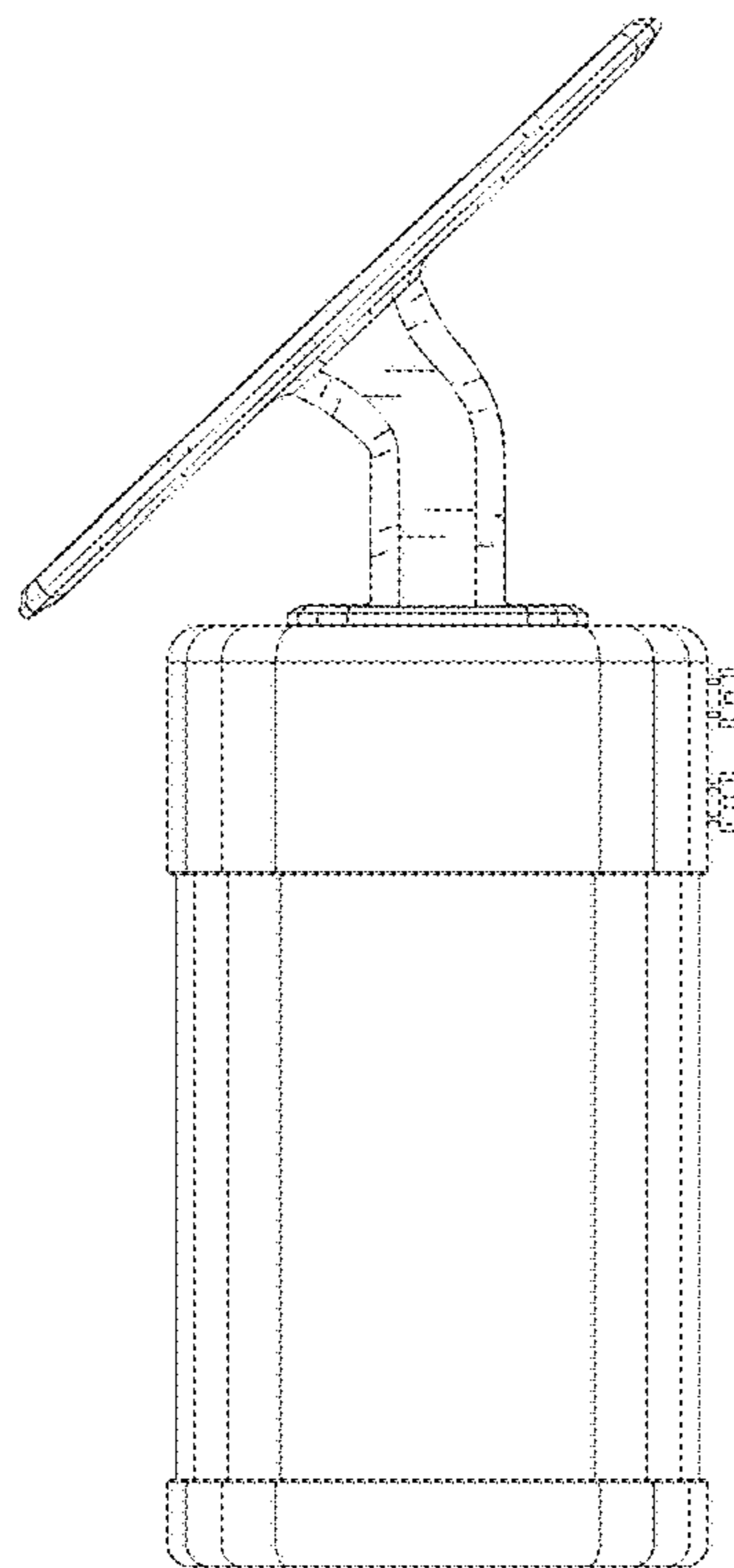
**FIG. 2**



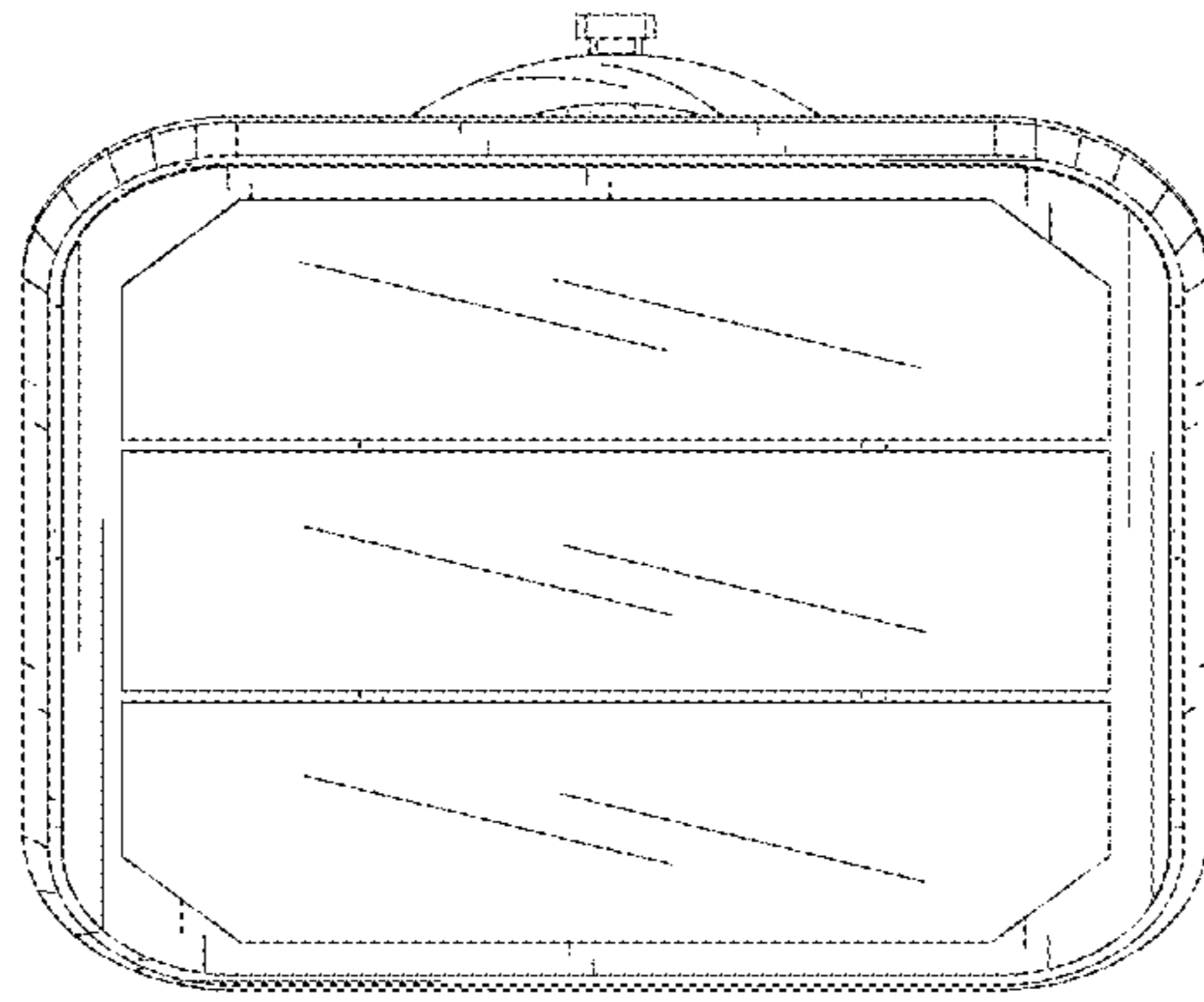
**FIG. 3**



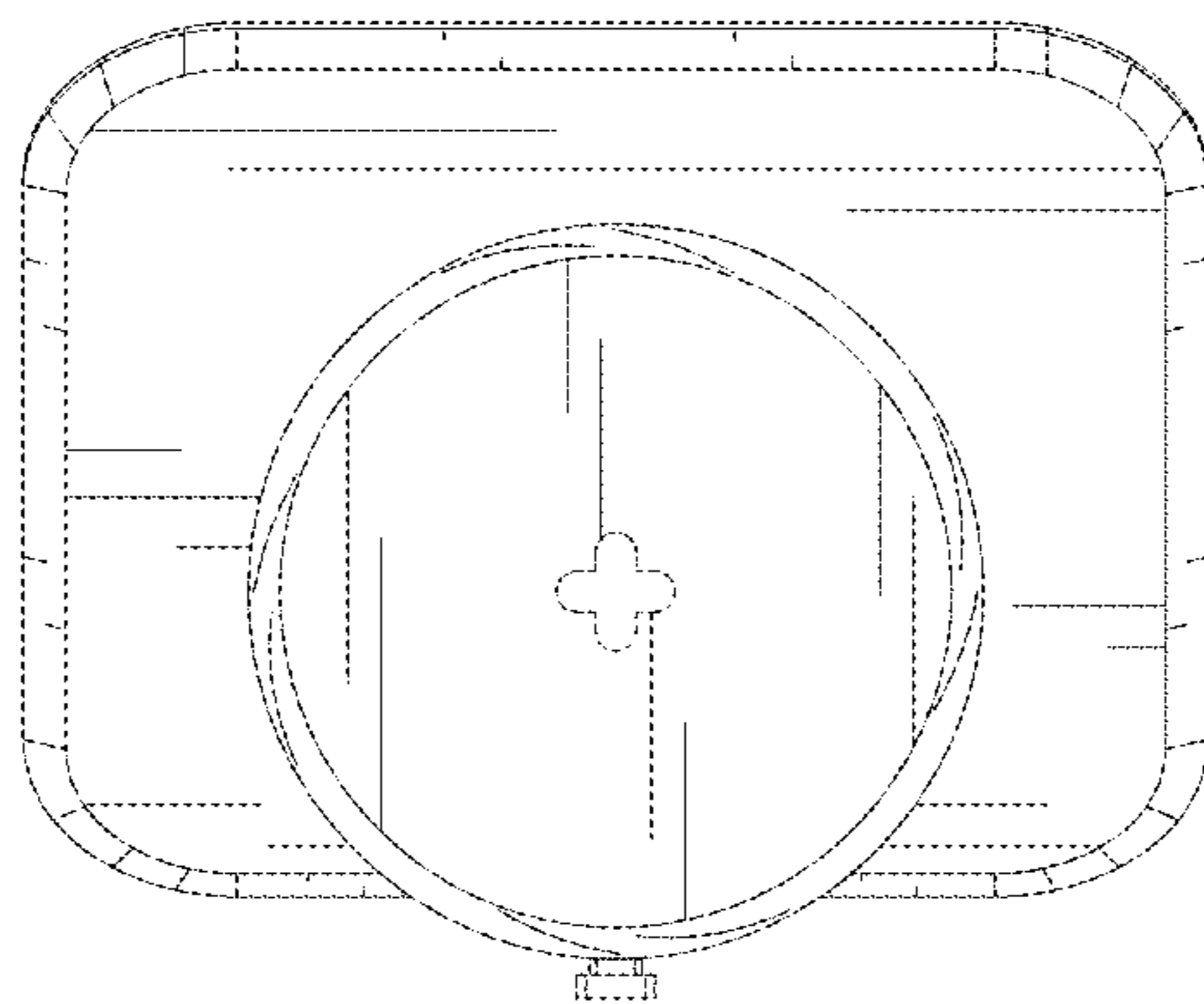
**FIG. 4**



**FIG. 5**



**FIG. 6**



**FIG. 7**