



US00D831257S

(12) **United States Design Patent**
Boulanger et al.

(10) **Patent No.:** **US D831,257 S**
(45) **Date of Patent:** **** Oct. 16, 2018**

(54) **LIGHT**

(71) Applicant: **CP IP Holdings Limited**, Central Hong Kong (CN)

(72) Inventors: **Dave Boulanger**, Hong Kong (CN);
Maciej Nowakowski, West Vancouver (CA)

(**) Term: **15 Years**

(21) Appl. No.: **29/590,347**

(22) Filed: **Jan. 10, 2017**

(51) **LOC (11) Cl.** **26-04**

(52) **U.S. Cl.**
USPC **D26/76**

(58) **Field of Classification Search**
USPC ... D26/3, 37, 67, 71, 72, 75, 78, 79, 80, 81,
D26/82, 83, 85, 86, 88, 90, 113, 118
See application file for complete search history.

(56) **References Cited**

U.S. PATENT DOCUMENTS

3,974,418	A *	8/1976	Fridrich	F21V 15/015 315/100
4,204,139	A *	5/1980	Shimer	F21V 19/008 315/58
4,275,331	A *	6/1981	Stresing	H01J 9/34 156/580.1
D306,768	S *	3/1990	Yuen	D26/42
D421,505	S *	3/2000	Hastings	D26/76
D459,516	S *	6/2002	Demers	D26/75
D617,488	S *	6/2010	Cho	D26/76
D693,048	S *	11/2013	Ng	D26/76
D695,942	S *	12/2013	Ng	D26/75
D697,247	S *	1/2014	Mollaghaffari	D26/76

D724,249	S *	3/2015	Maxik	D26/76
D735,392	S *	7/2015	Ng	D26/76
D754,902	S *	4/2016	Parker	D26/76
D759,887	S *	6/2016	Seehof	D25/41.1
D760,425	S *	6/2016	Seehof	D25/41.1
D769,505	S *	10/2016	Adams	D26/76
D796,106	S *	8/2017	Hoffmeister	D26/76
D796,721	S *	9/2017	Boorum	D26/72
D799,733	S *	10/2017	Recker	D26/76
D804,082	S *	11/2017	Boorum	D26/118
2012/0293309	A1 *	11/2012	Spiro	F21S 2/00 340/12.32

* cited by examiner

Primary Examiner — John Windmuller
Assistant Examiner — Benjamin M Weeks

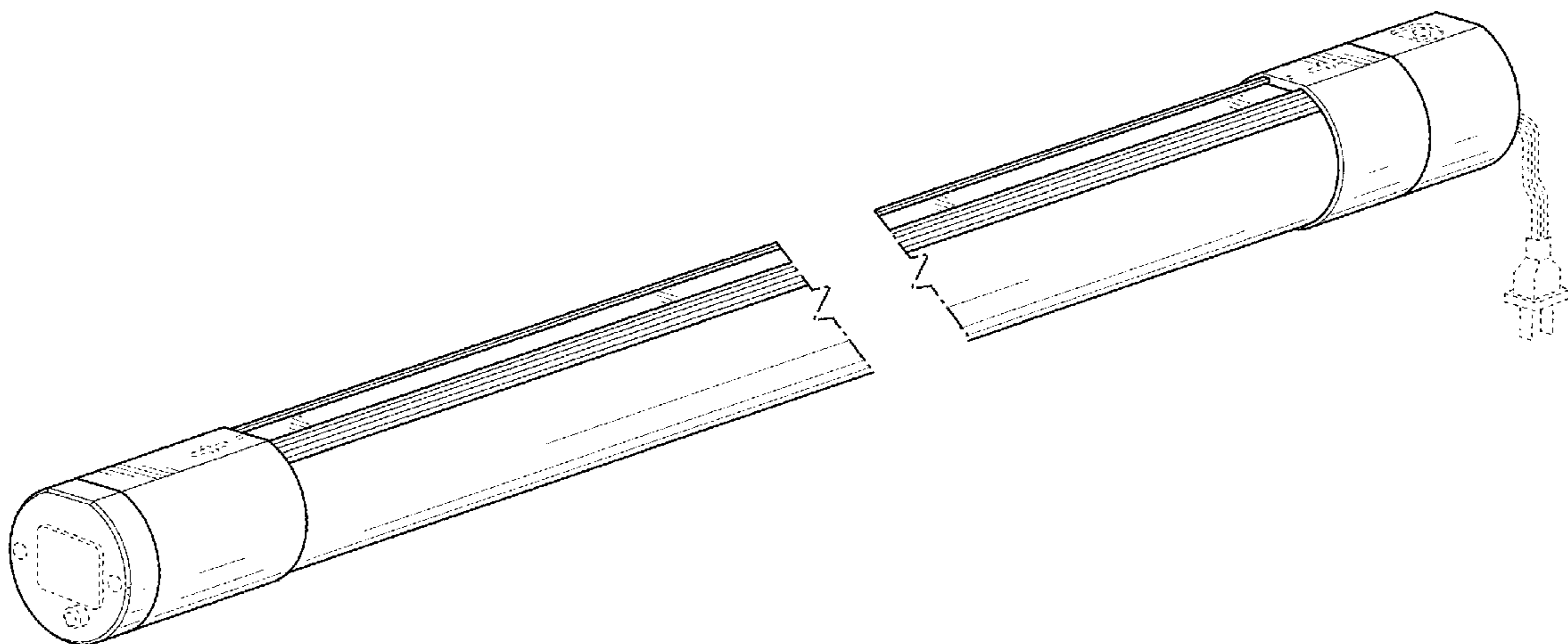
(57) **CLAIM**

We claim the ornamental design for a light, as shown and described.

DESCRIPTION

FIG. 1 is a perspective view of the light;
FIG. 2 is a top view of the light;
FIG. 3 is a bottom view of the light;
FIG. 4 is a front view of the light;
FIG. 5 is a rear view of the light;
FIG. 6 is a left-hand view of the light; and,
FIG. 7 is a right-hand view of the light.
The broken lines represent portions of the light that form no part of the claimed design.
In FIG. 1, the light is shown broken away in the middle to indicate that it has no particular length beyond what is shown. In FIGS. 2-5, the light is shown broken away for ease of disclosure only.

1 Claim, 4 Drawing Sheets



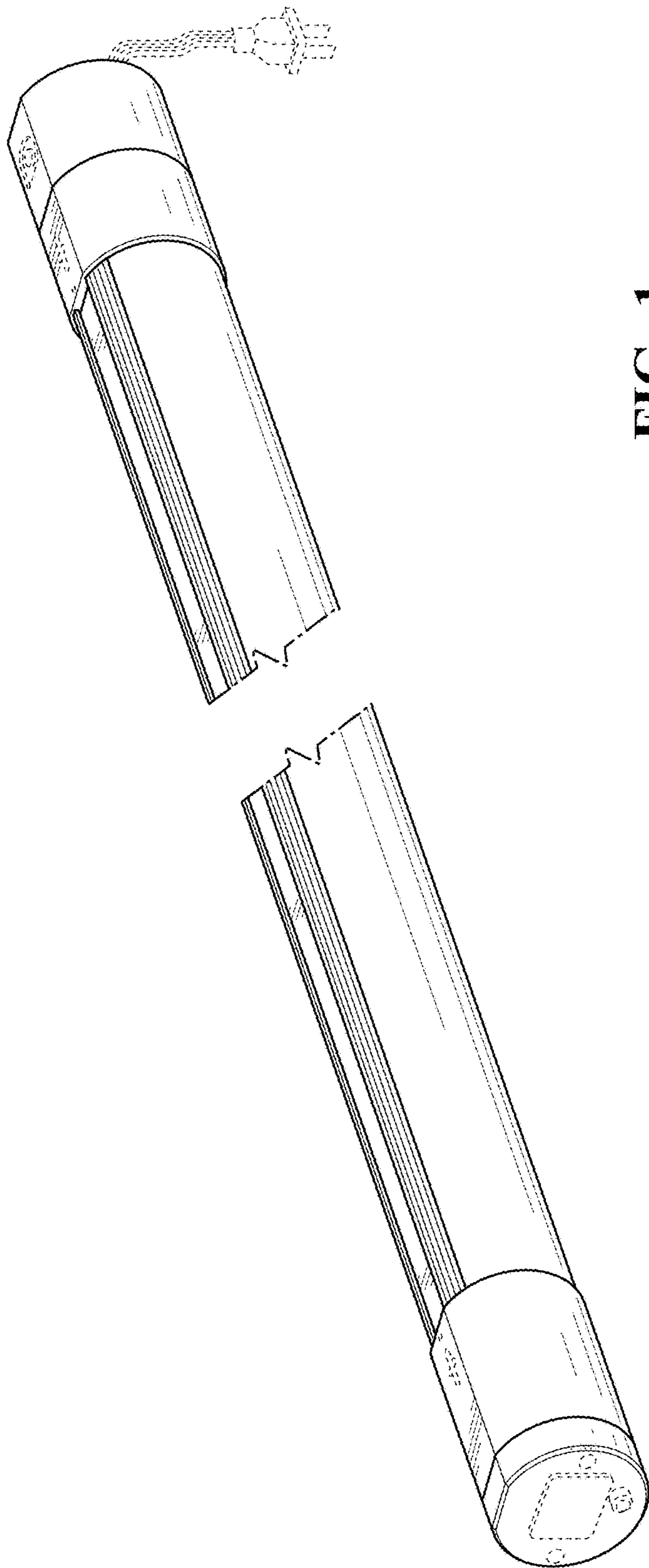


FIG. 1

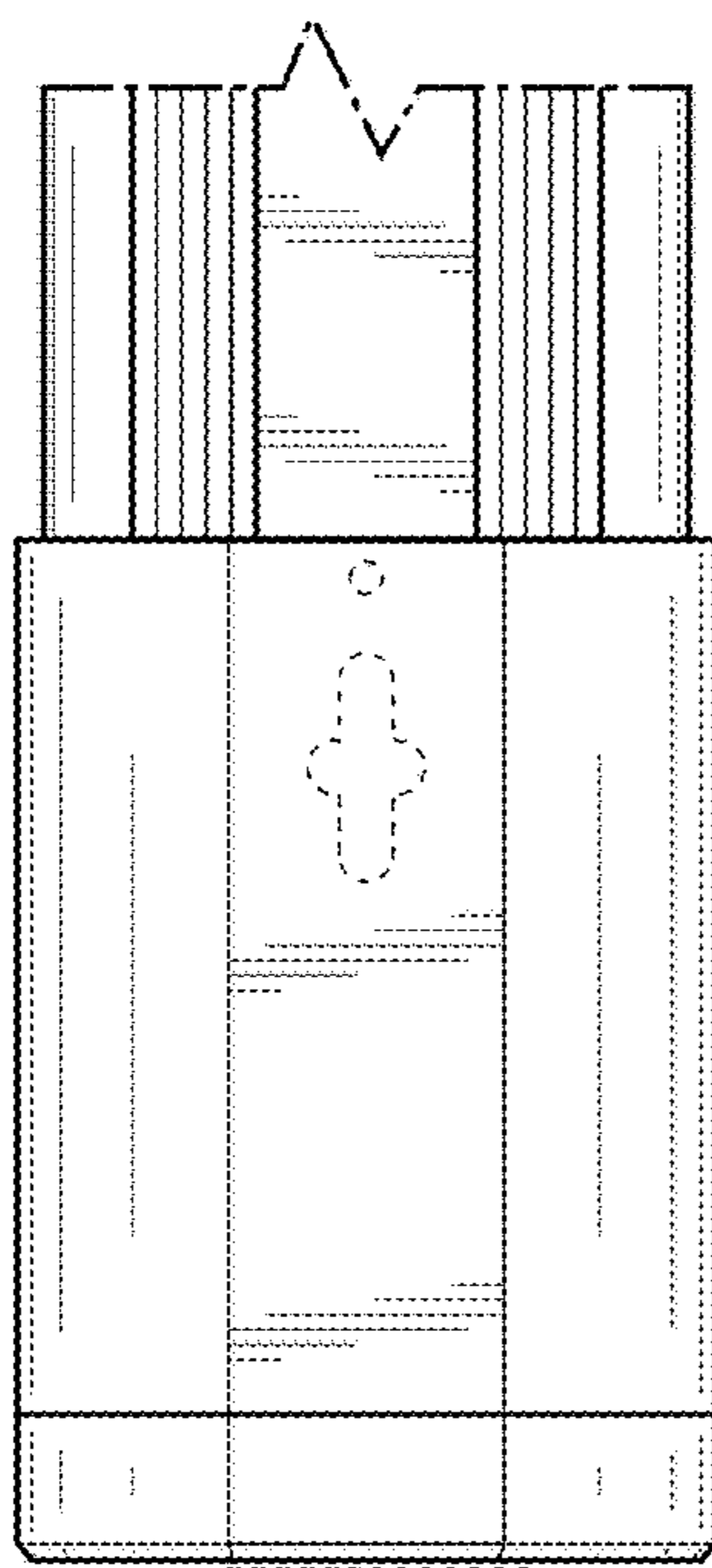
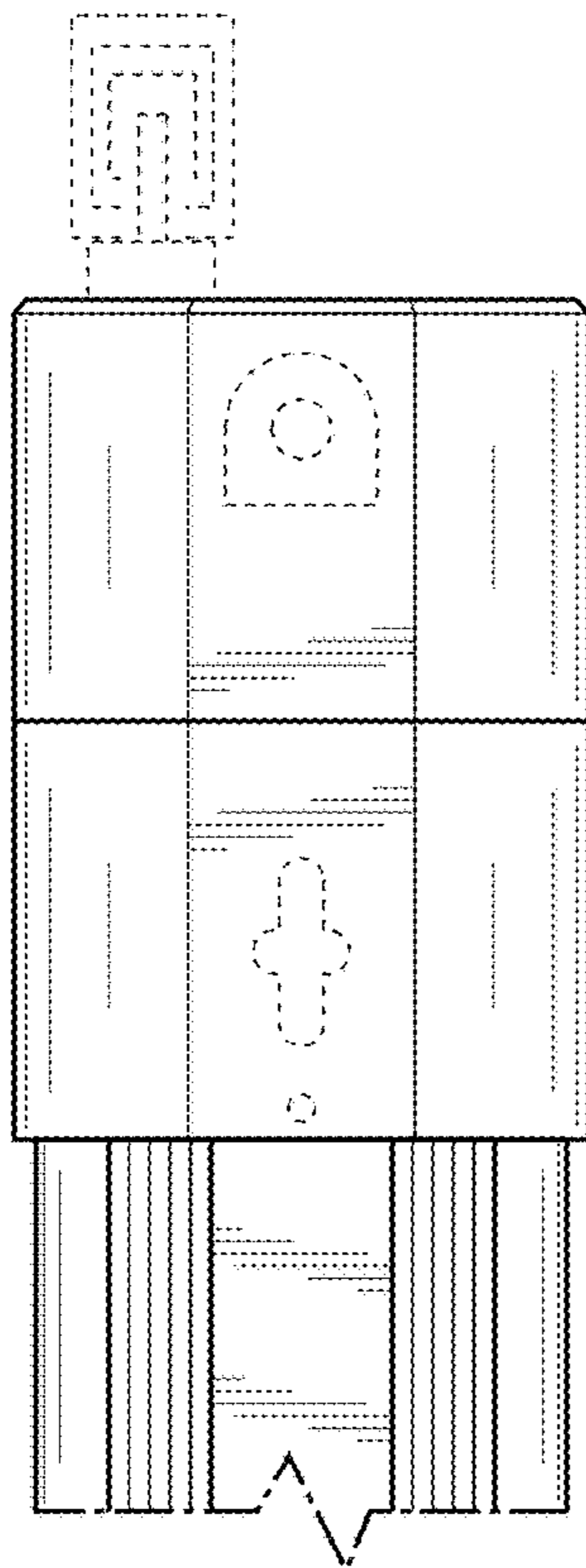


FIG. 2

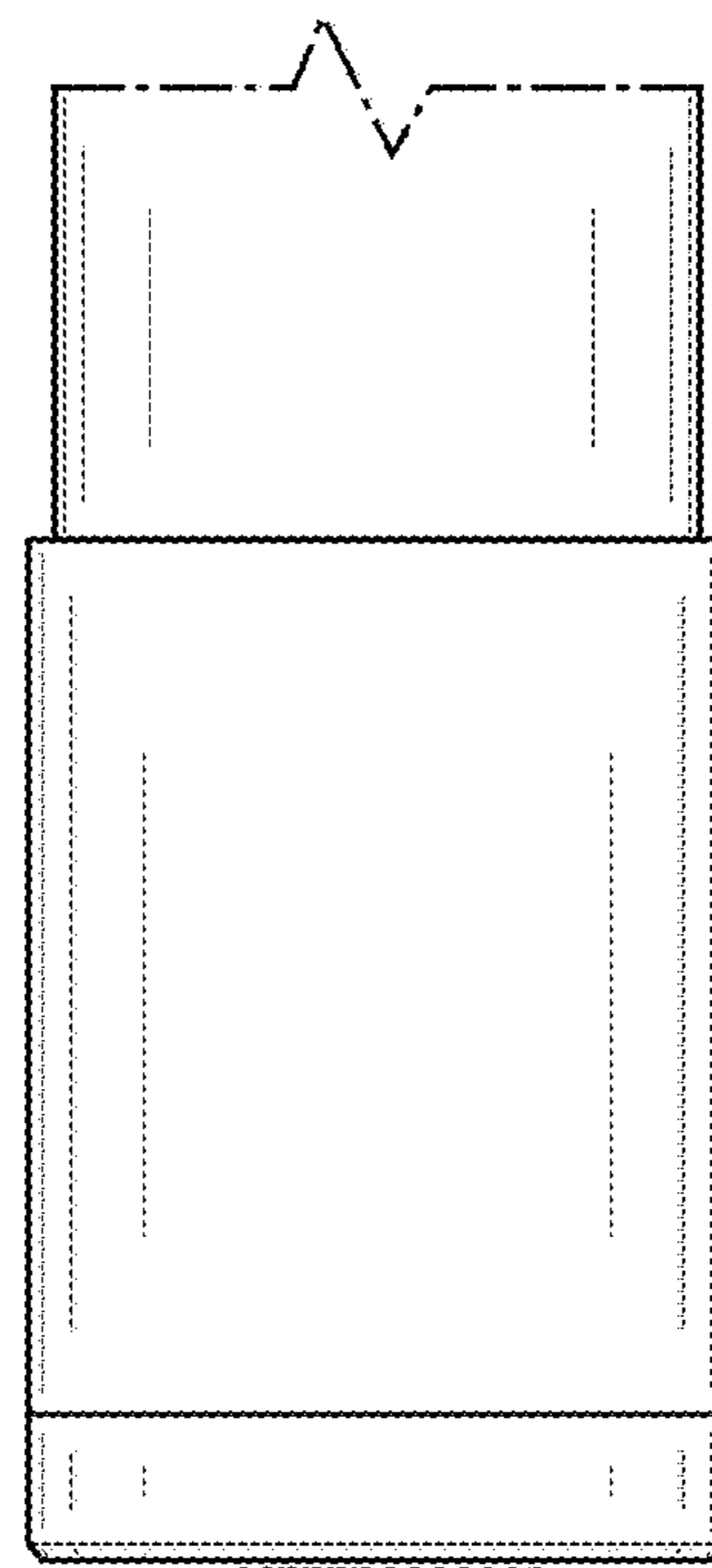
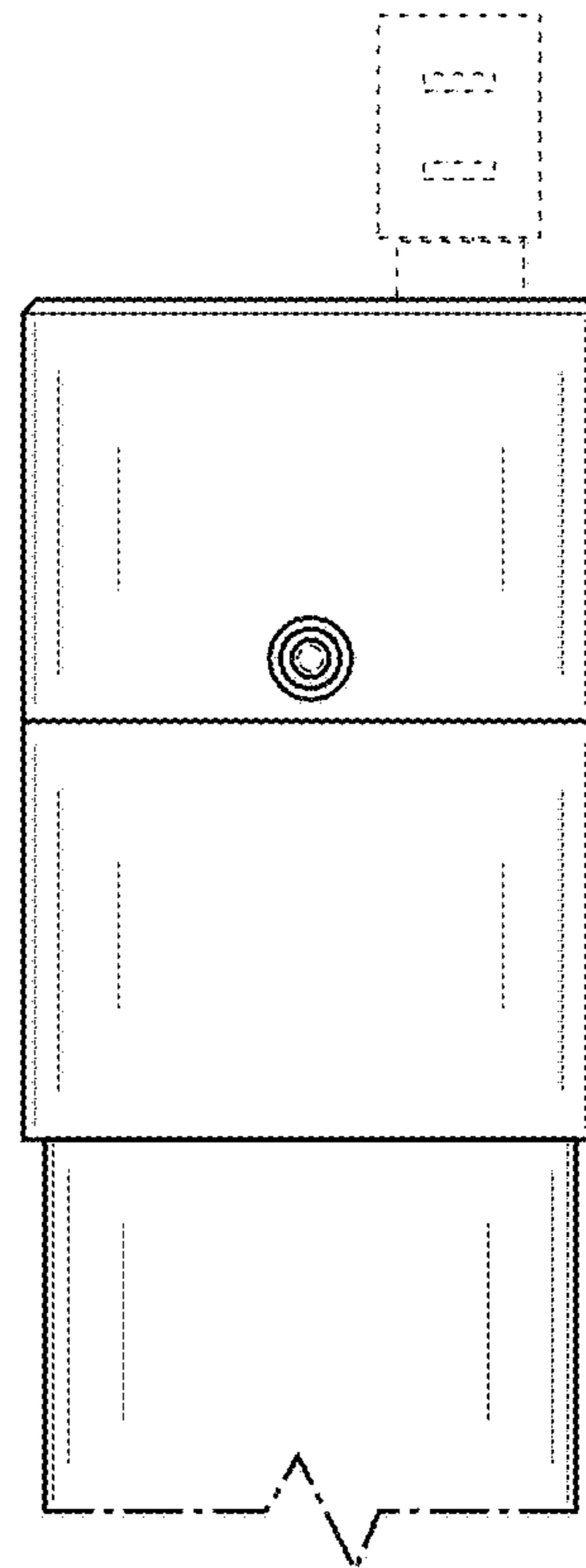


FIG. 3

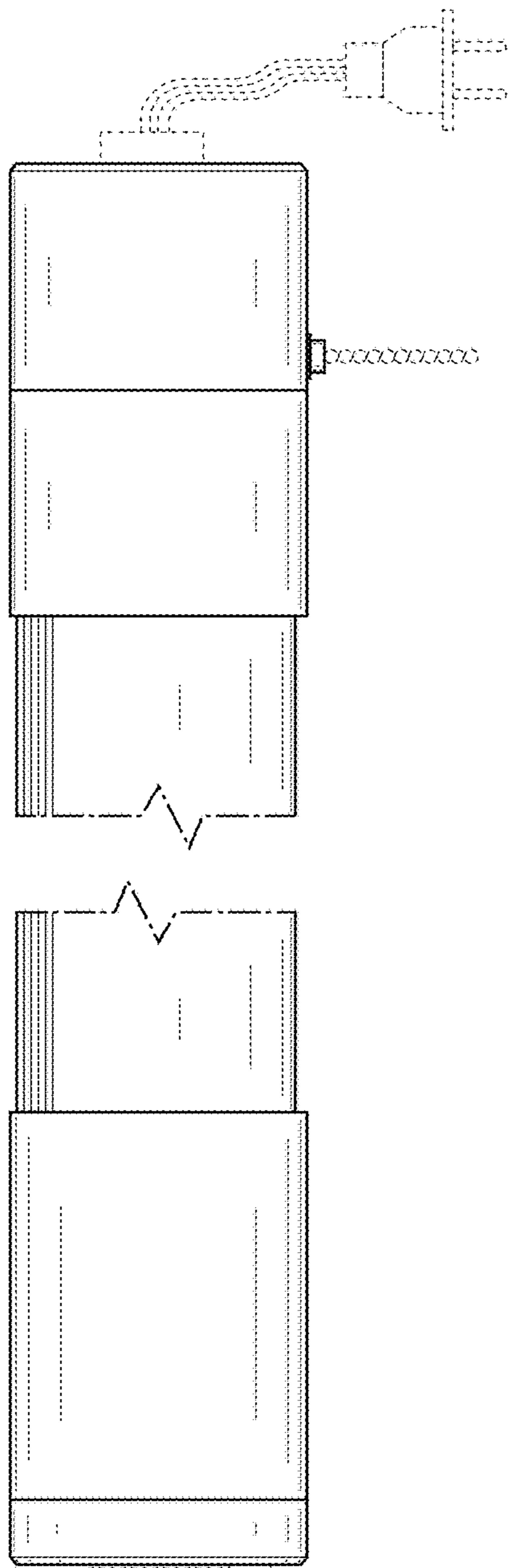


FIG. 4

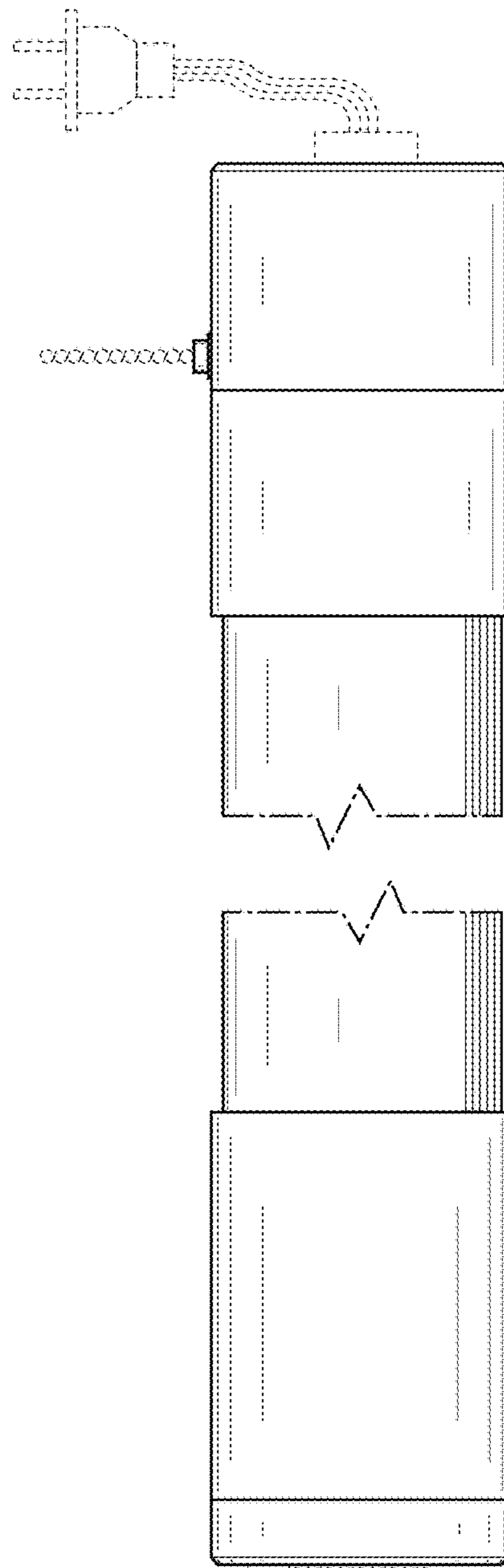


FIG. 5

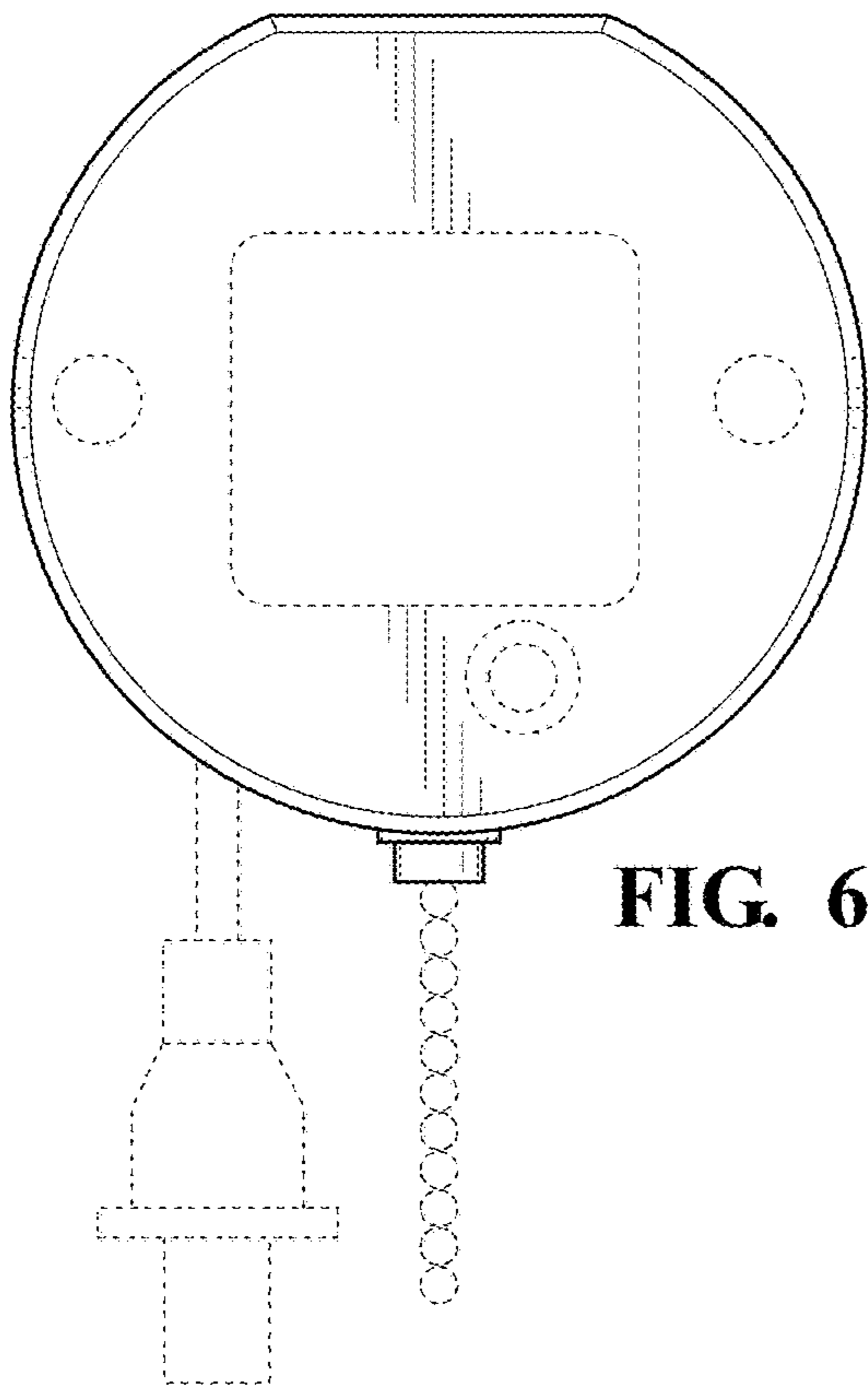


FIG. 6

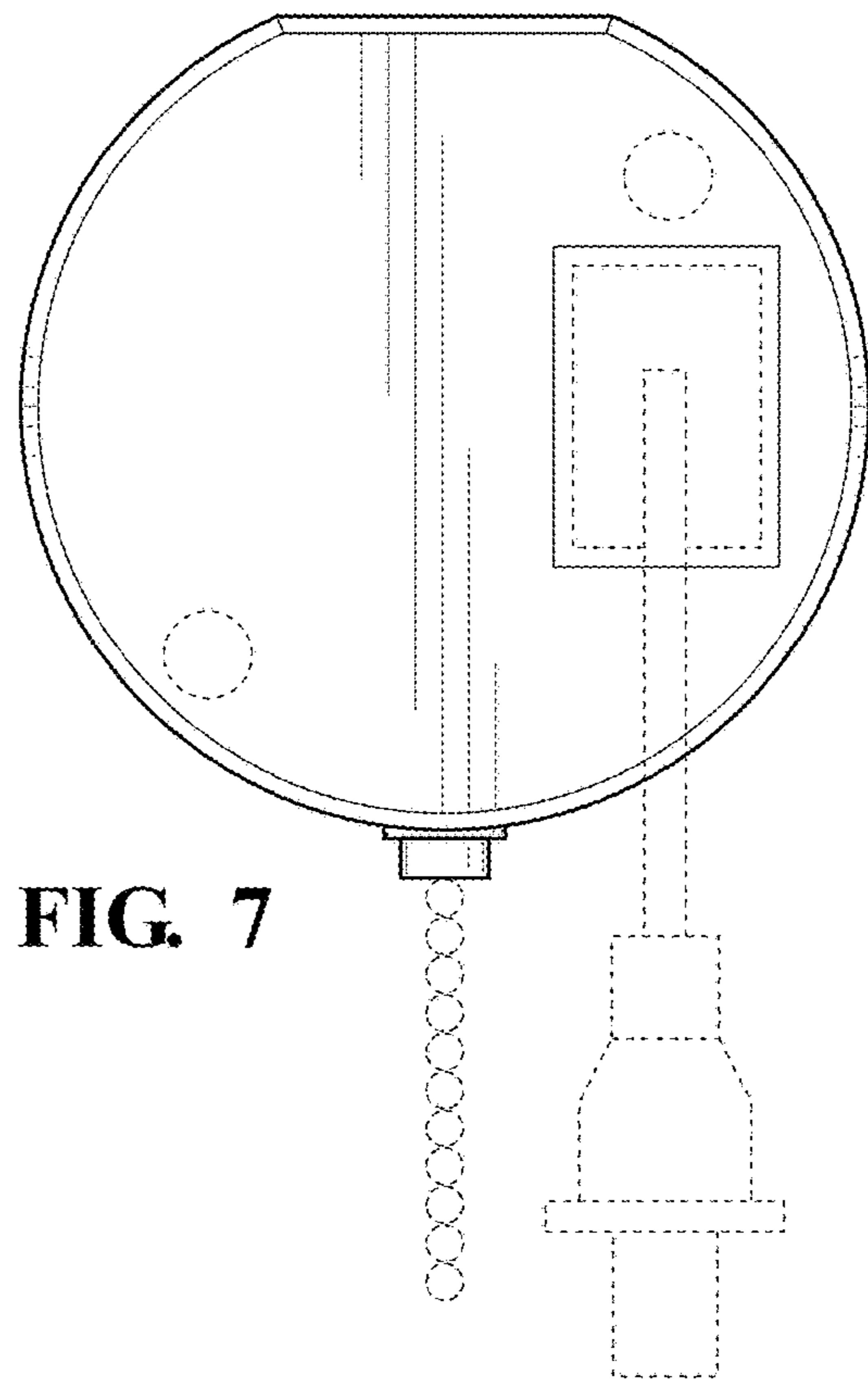


FIG. 7