



US00D831256S

(12) **United States Design Patent** (10) **Patent No.:** **US D831,256 S**
Partington (45) **Date of Patent:** **** *Oct. 16, 2018**

(54) **LUMINAIRE**

(56) **References Cited**

(71) Applicant: **ACDC LED LIMITED**, Lancashire (GB)

U.S. PATENT DOCUMENTS

(72) Inventor: **Nathan Michael Partington**, Colne (GB)

D690,864 S *	10/2013	Rashidi	D26/74
D696,446 S *	12/2013	Huh	D26/74
D696,447 S *	12/2013	Huh	D26/74
D696,448 S *	12/2013	Huh	D26/74
D723,728 S *	3/2015	Jeswani	D26/74
D726,360 S *	4/2015	Messiaen	D26/74
D739,590 S *	9/2015	Redfern	D26/74
D768,326 S *	10/2016	Guzzini	D26/74
D777,967 S *	1/2017	Redfern	D26/74
D778,482 S *	2/2017	Guzzini	D26/74
D779,099 S *	2/2017	Beck	D26/74
D786,473 S *	5/2017	Dean	D26/74
D790,102 S *	6/2017	Guzzini	D26/74

(73) Assignee: **ACDC LED LIMITED**, Lancashire (GB)

(*) Notice: This patent is subject to a terminal disclaimer.

(**) Term: **15 Years**

* cited by examiner

(21) Appl. No.: **29/573,180**

Primary Examiner — Angela J Lee

(22) Filed: **Aug. 3, 2016**

(74) *Attorney, Agent, or Firm* — Scully Scott Murphy and Presser; Frank Digiglio

(30) **Foreign Application Priority Data**

Feb. 3, 2016 (EM) 002 970 285

(51) **LOC (11) Cl.** **26-05**

(57) **CLAIM**

The ornamental design for a luminaire, as shown and described.

(52) **U.S. Cl.**

USPC **D26/74**

DESCRIPTION

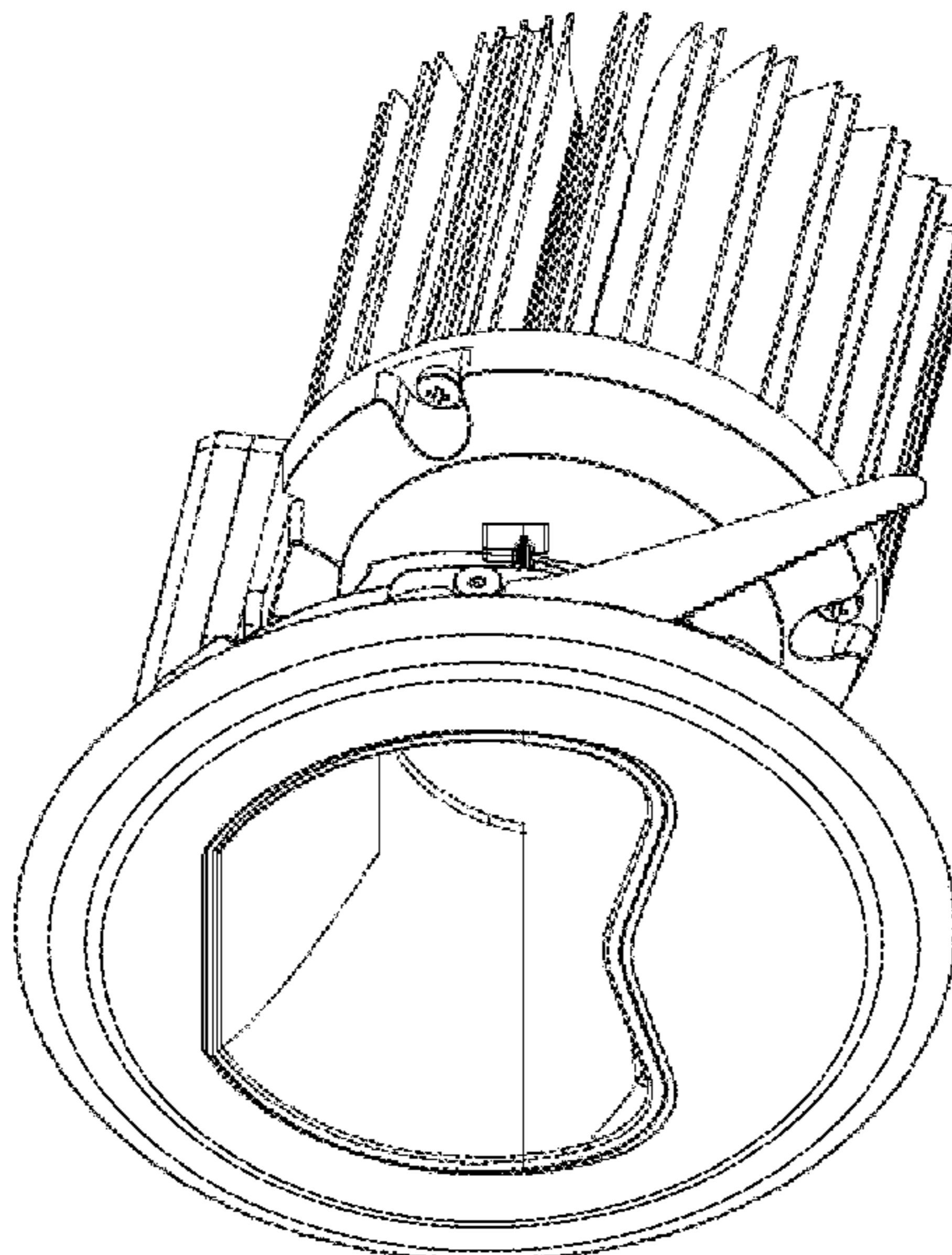
(58) **Field of Classification Search**

USPC D26/74, 72, 75, 76, 77, 78, 85, 88, 89, D26/118, 138, 141; 362/364, 365, 373, 362/145, 146, 147, 148, 150, 153, 153.1, 362/294, 296.01, 296.07, 296.08

CPC F21V 29/2262; F21V 7/06; F21V 21/044; F21V 21/047; F21V 29/2212; F21V 29/2256; F21V 29/225; F21V 29/2268; F21Y 2111/002; F21S 8/02; F21S 8/026

See application file for complete search history.

1 Claim, 7 Drawing Sheets



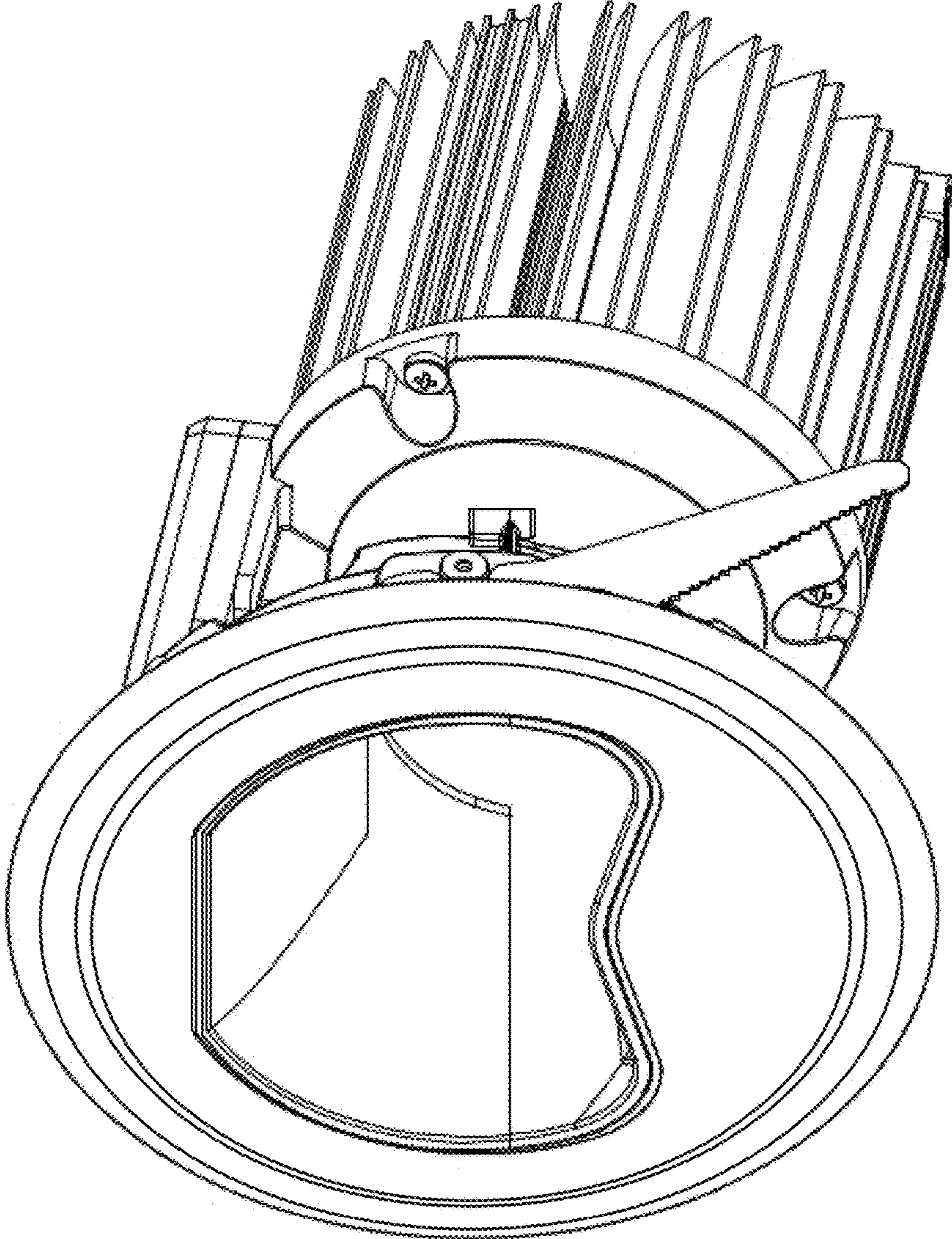


Figure 1

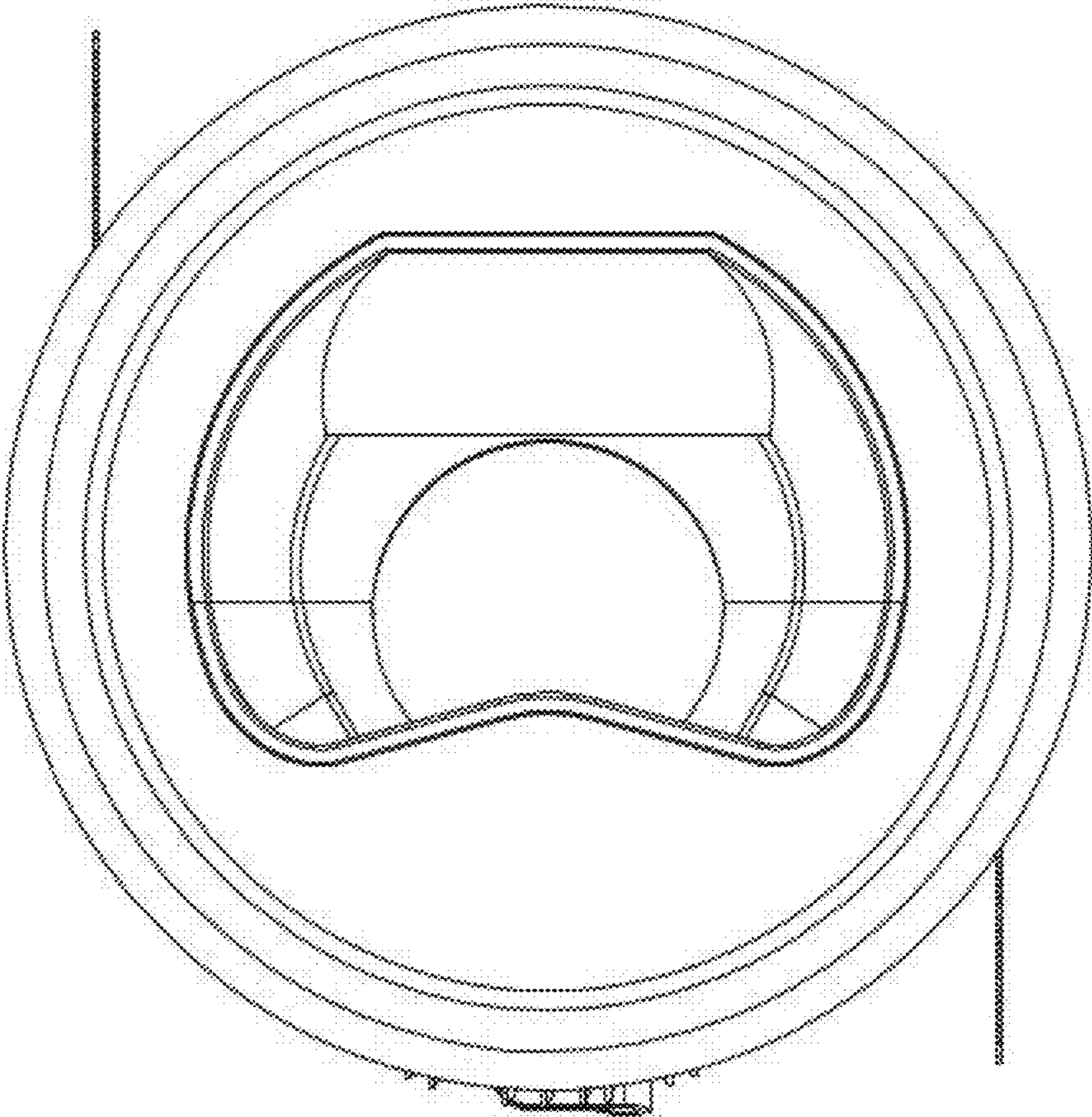


Figure 2

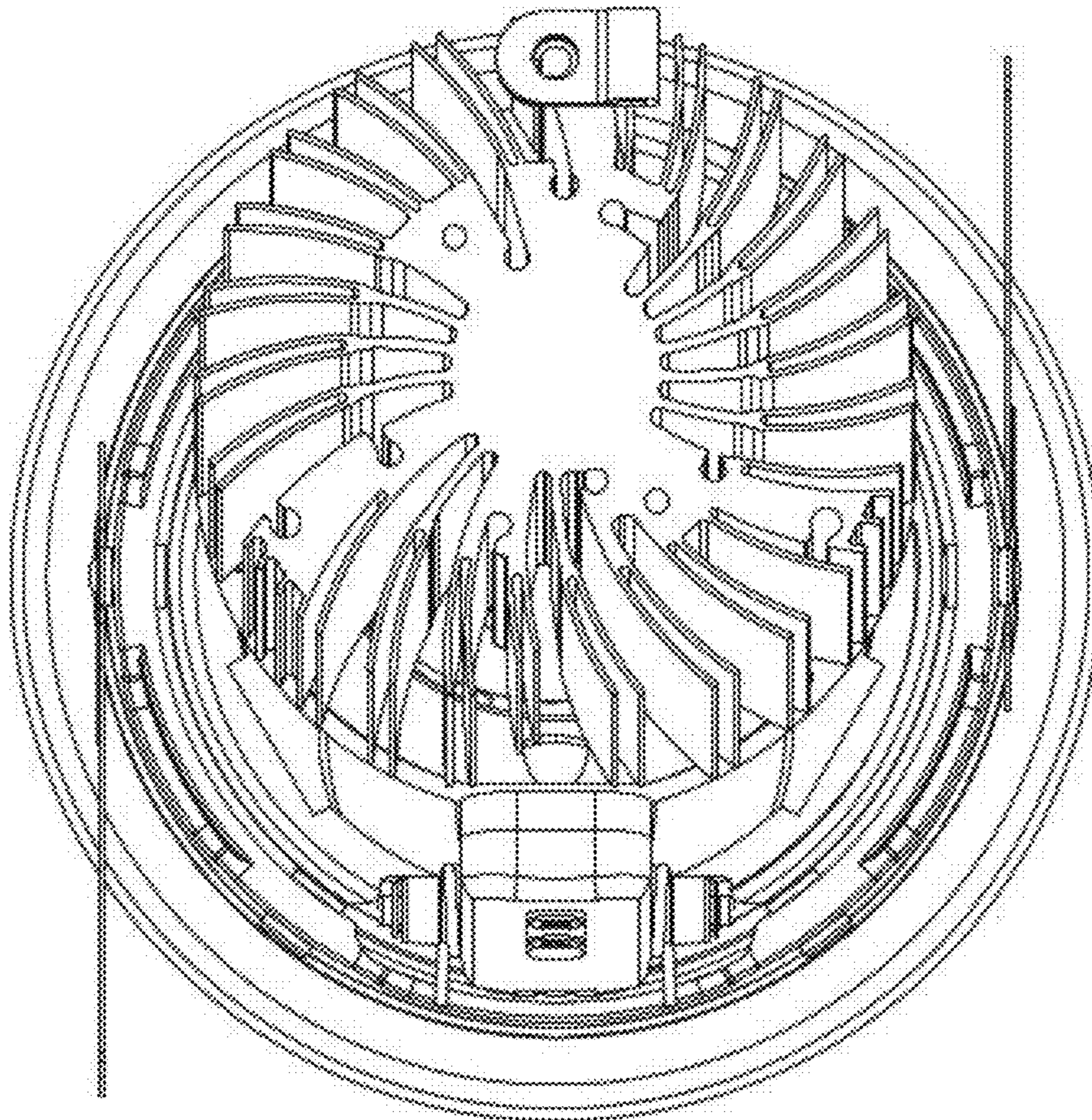


Figure 3

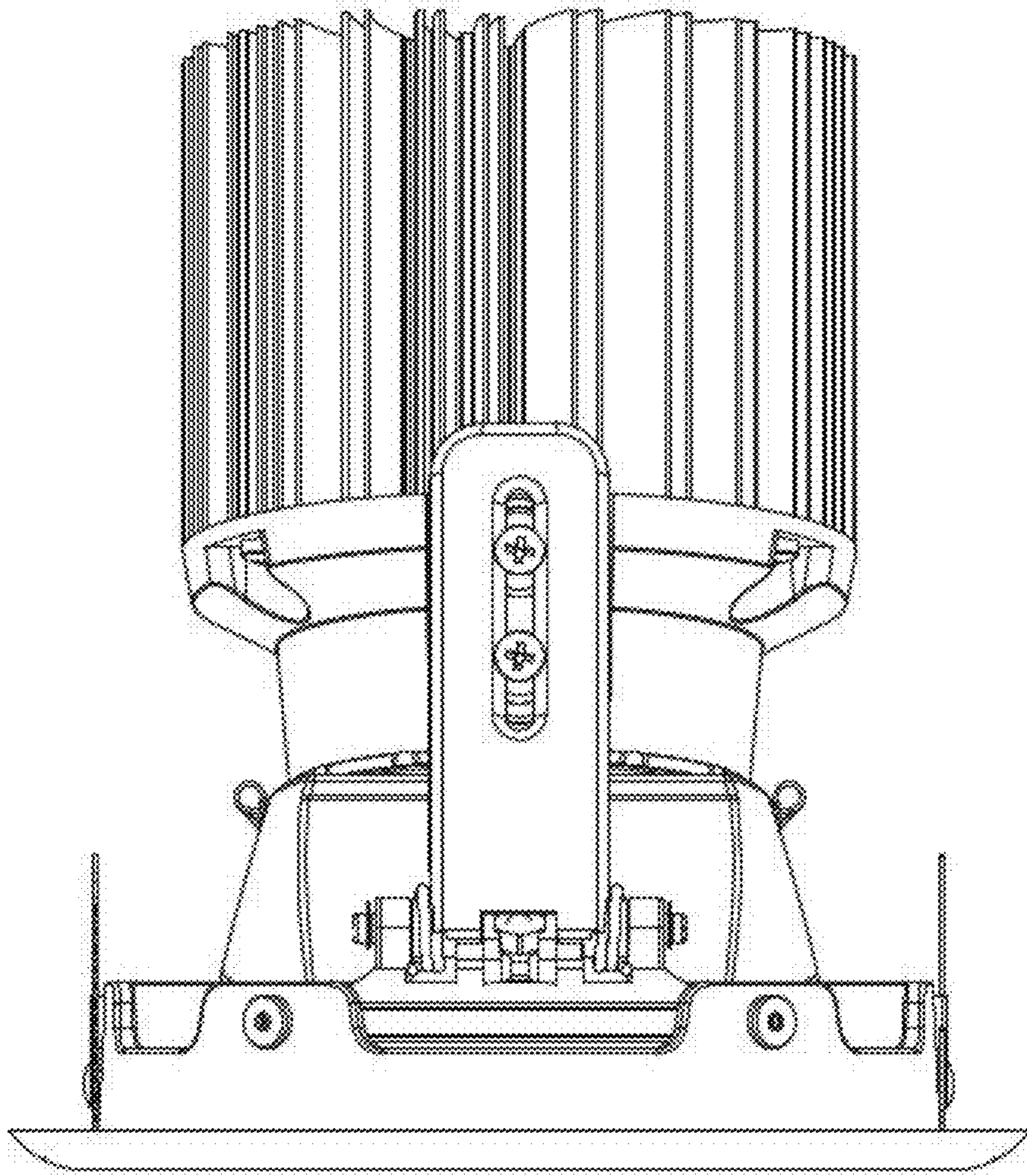


Figure 4

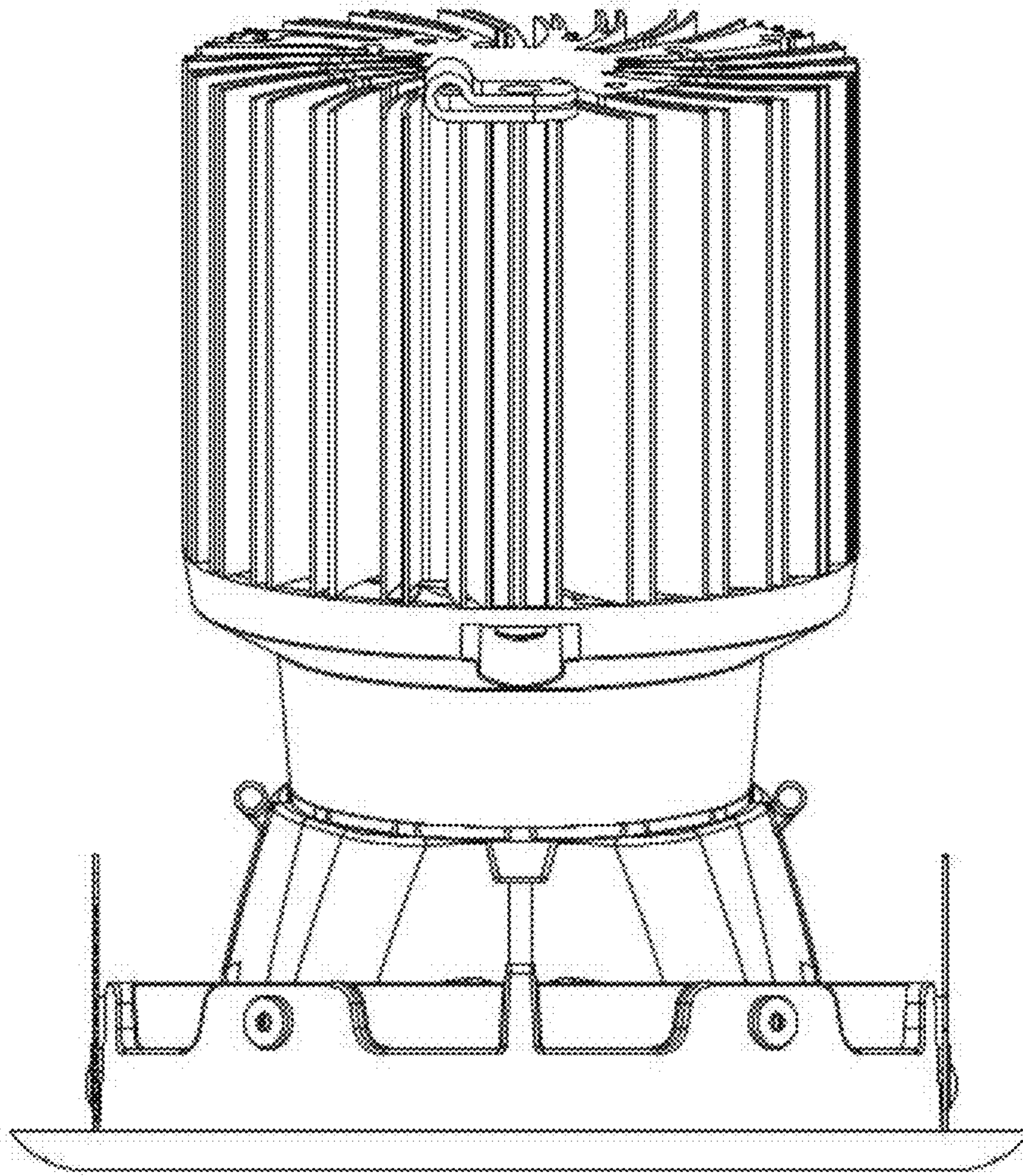


Figure 5

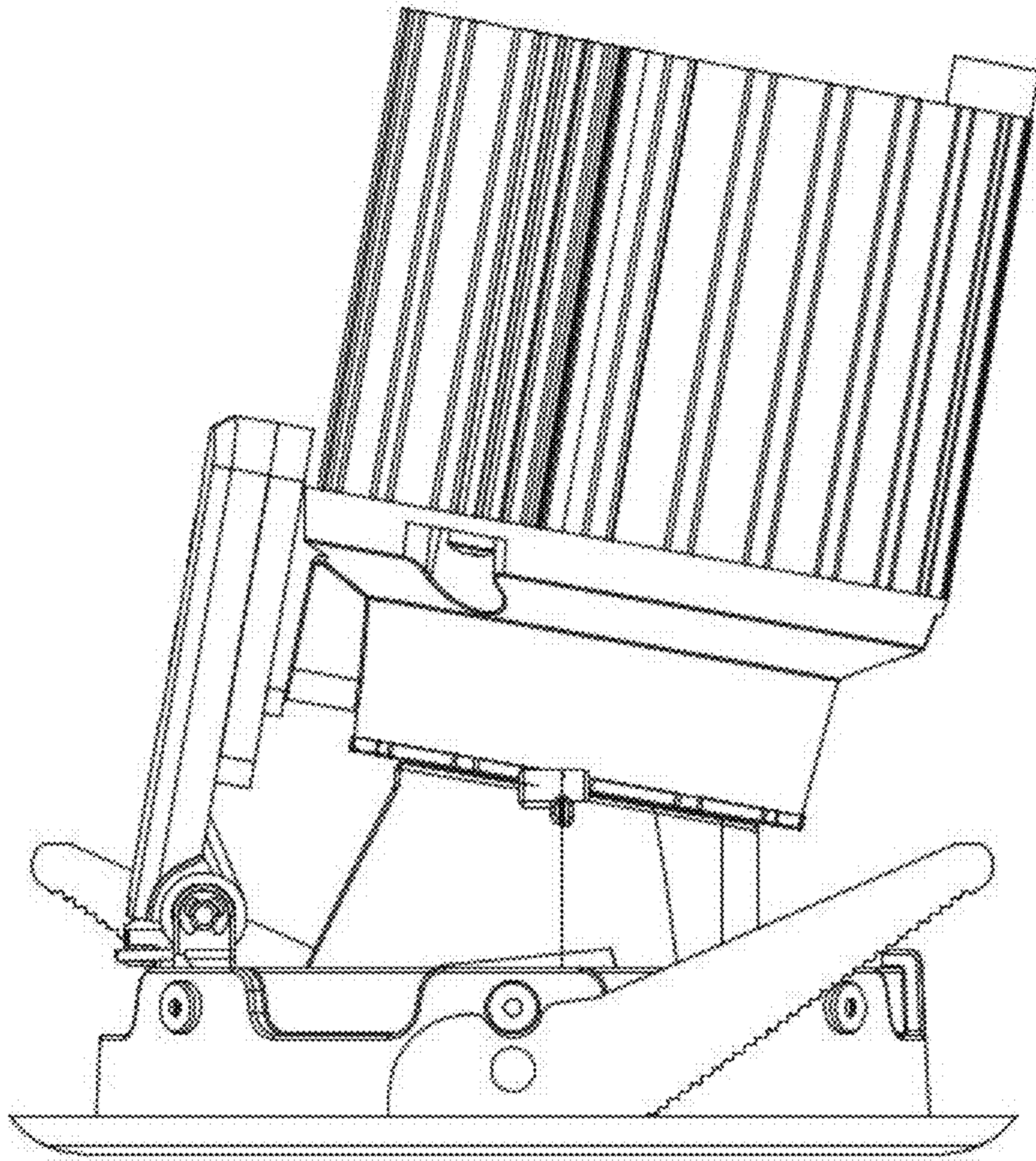


Figure 6

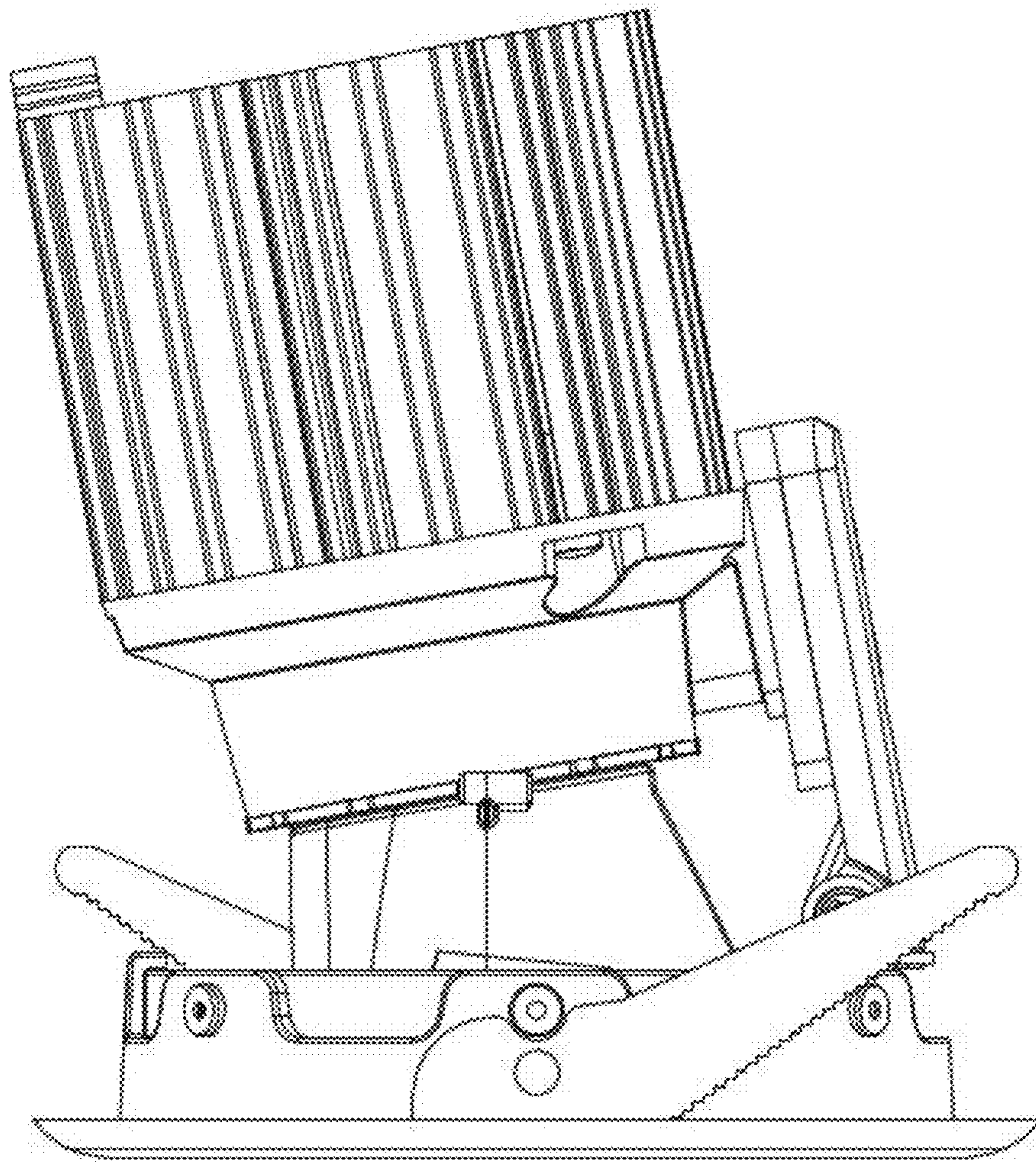


Figure 7