



US00D831255S

(12) **United States Design Patent**
Pelle et al.

(10) **Patent No.:** **US D831,255 S**
(45) **Date of Patent:** **** Oct. 16, 2018**

(54) **CAST PAPER FLOWER SCONCE**
(71) Applicant: **Pelle Designs LLC**, New York, NY (US)

D682,453 S * 5/2013 Glenn D26/68
D682,454 S * 5/2013 Glenn D26/68
D683,879 S * 6/2013 Desai D26/68

(72) Inventors: **Jean Y. Pelle**, New York, NY (US);
Oliver Pelle, New York, NY (US)

(73) Assignee: **Pelle Designs, LLC**, New York, NY (US)

(**) Term: **15 Years**

(21) Appl. No.: **29/603,506**

(22) Filed: **May 10, 2017**

(51) **LOC (11) Cl.** **26-01**

(52) **U.S. Cl.**
USPC **D26/73**

(58) **Field of Classification Search**
USPC D26/35, 51, 57, 72, 73, 81, 83, 85, 86,
D26/88, 93, 94, 101, 118-122, 125, 127
CPC F21S 8/02; F21S 8/03; F21S 8/04; F21S
8/033; F21S 8/036; F21S 8/043; F21S
8/065; F21V 21/02
See application file for complete search history.

(56) **References Cited**

U.S. PATENT DOCUMENTS

D36,133 S * 11/1902 Hadel D11/117
D36,134 S * 11/1902 Lockrow D11/117
D174,658 S * 5/1955 Roberts D26/24
D345,021 S * 3/1994 Storey D11/117
D509,315 S * 9/2005 Weiser D26/101
D537,191 S * 2/2007 Husbands D26/101
D569,301 S * 5/2008 Fotherby D11/117
D630,791 S * 1/2011 Wanders D26/127
D672,898 S * 12/2012 Glenn D26/68

OTHER PUBLICATIONS

Lure Sconce in Polished Brass by Pelle (available online) Retrieved from the internet Jun. 9, 2018 from URL: https://www.1stdibs.com/furniture/lighting/sconces-wall-lights/lure-sconce-polished-brass-pelle/id-f_5374243/.*

Lotus Flower Wall Sconces (available online Nov. 5, 2017) Retrieved from the internet Jun. 9, 2018 from URL: <http://srint.org/11893-lotus-flower-wall-sconces/>.*

* cited by examiner

Primary Examiner — Kevin K Rudzinski

Assistant Examiner — Richard Kearney

(74) *Attorney, Agent, or Firm* — Lippincott IP, LLC;
Patricia P. Werschulz, Esq.

(57) **CLAIM**

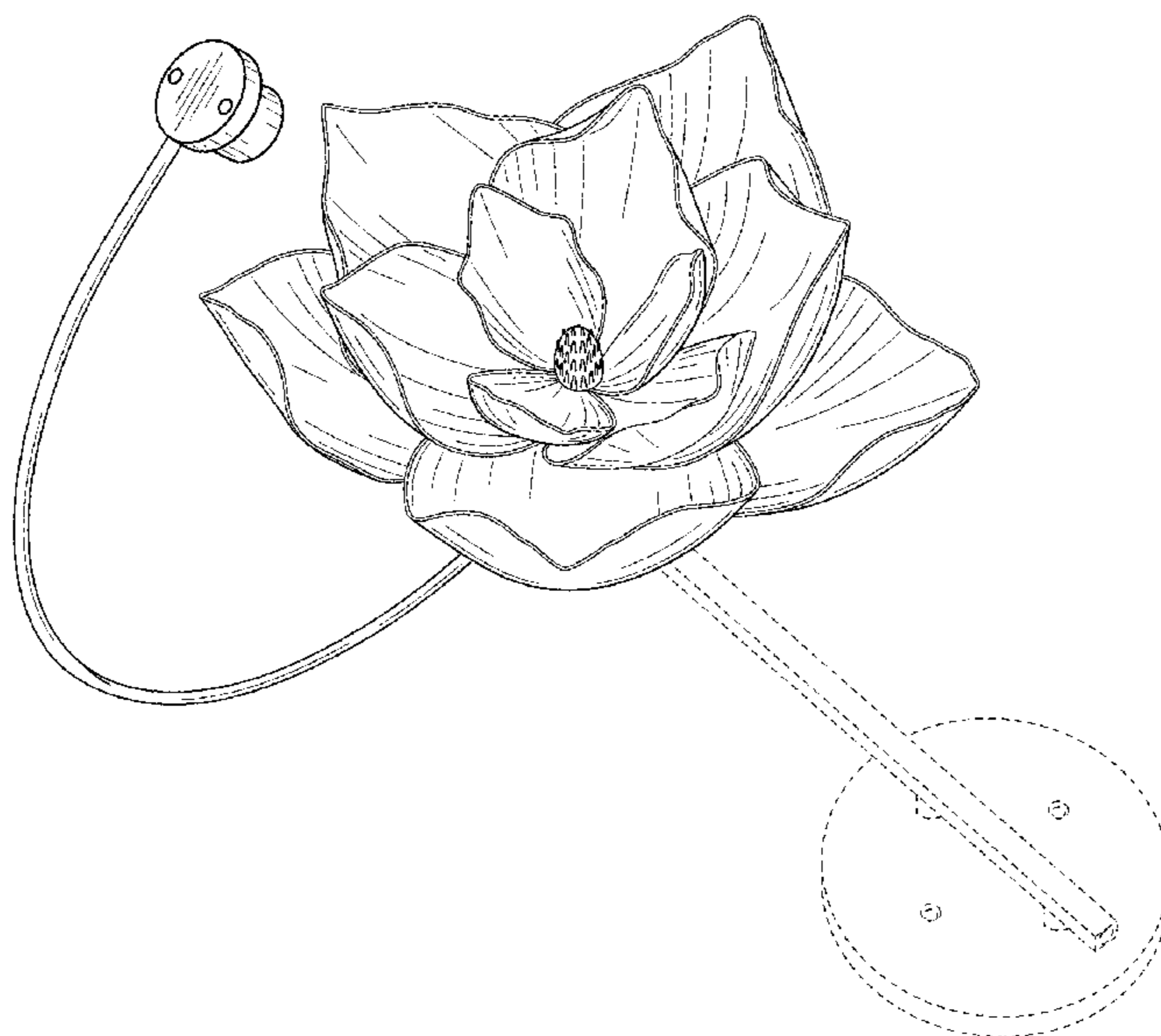
The ornamental design for a cast paper flower sconce, as shown and described.

DESCRIPTION

FIG. 1 is a perspective view of a cast paper flower sconce, showing our new design;
FIG. 2 is a bottom plan view thereof;
FIG. 3 is a top plan view thereof;
FIG. 4 is a right side elevational view thereof;
FIG. 5 is a left side elevational view thereof;
FIG. 6 is a front elevational view thereof; and,
FIG. 7 is a rear elevational view thereof.

The broken lines shown in the drawings illustrate portions of the cast paper flower sconce that form no part of the claimed design.

1 Claim, 7 Drawing Sheets



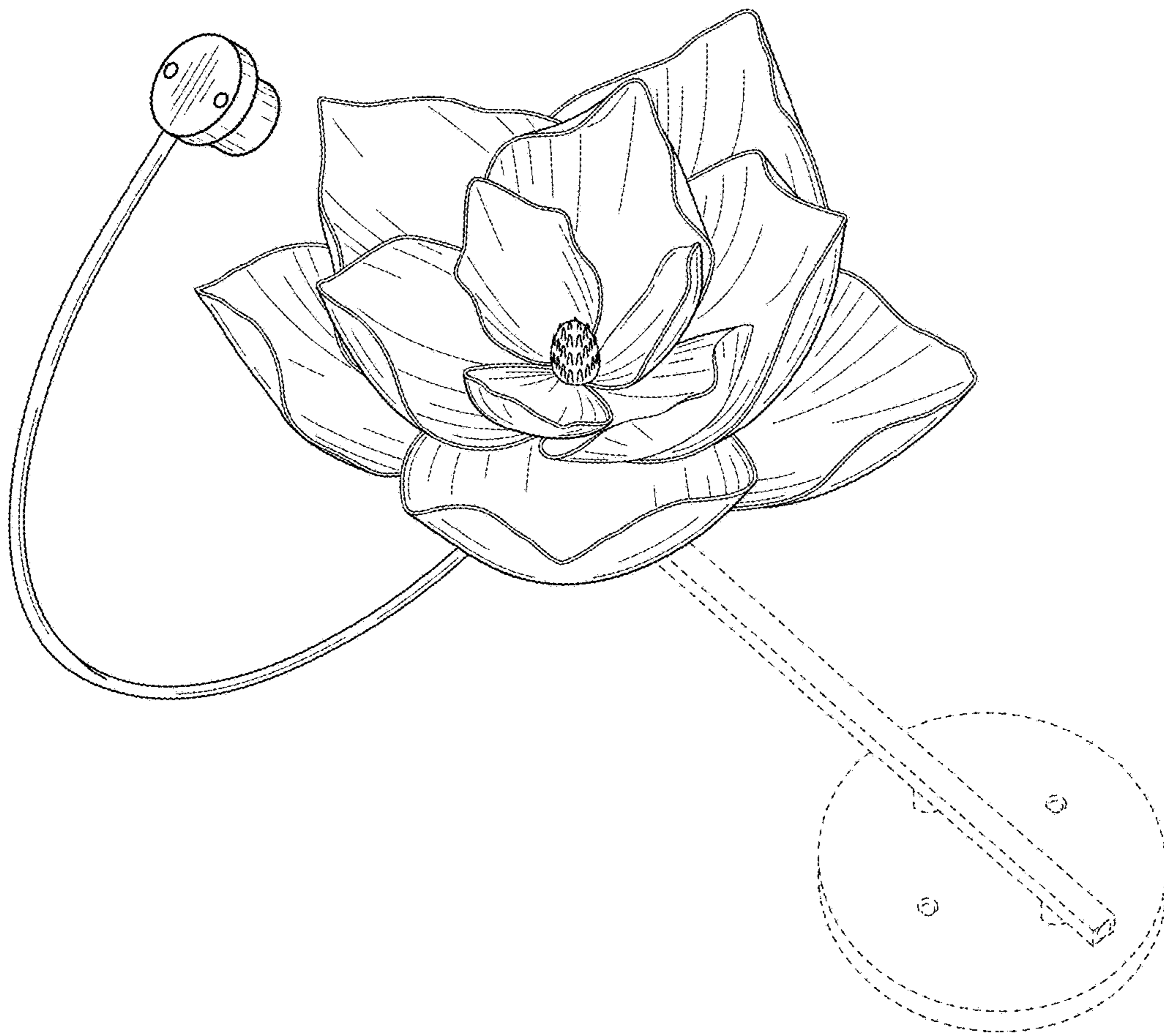


FIG. 1

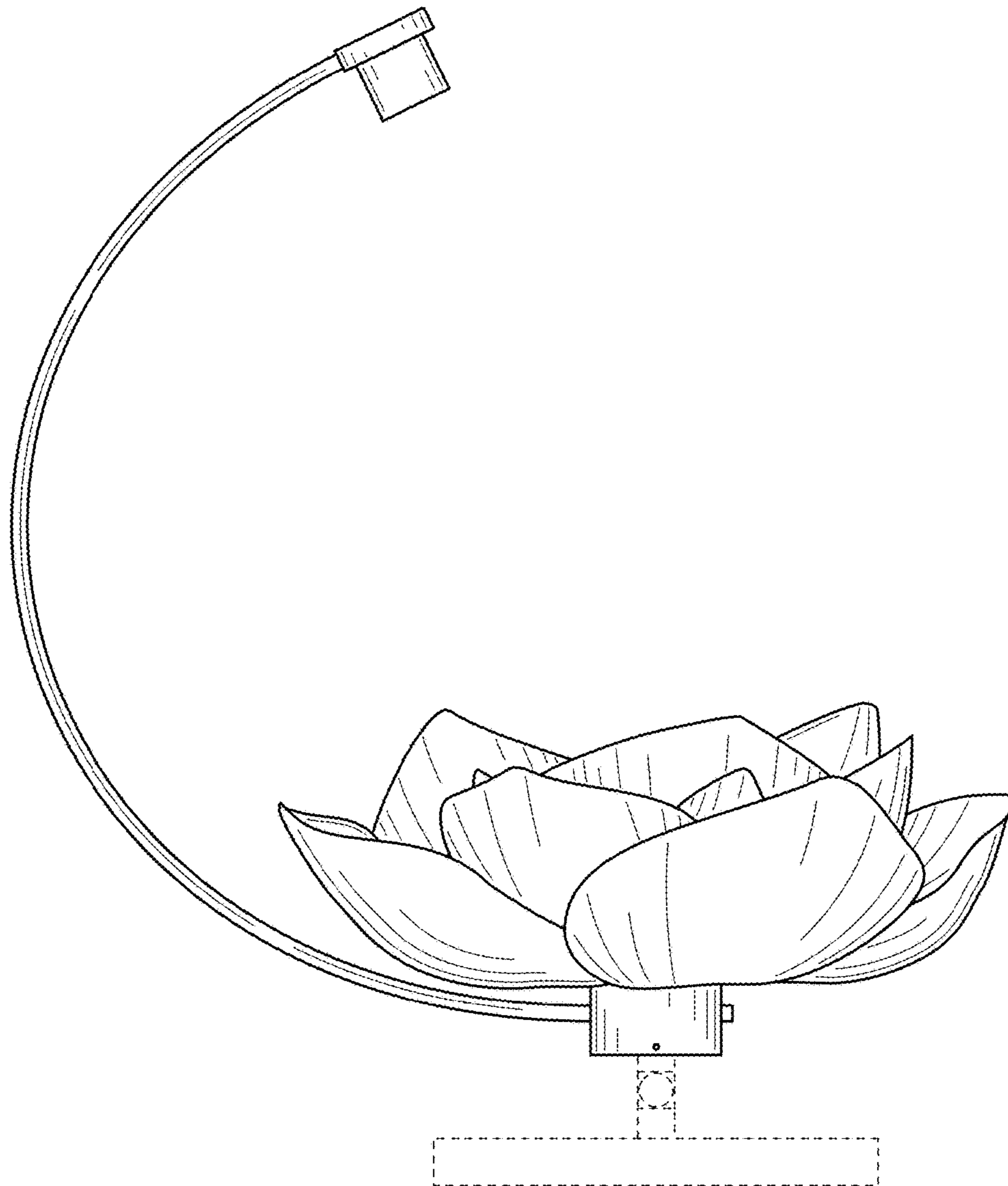


FIG. 2

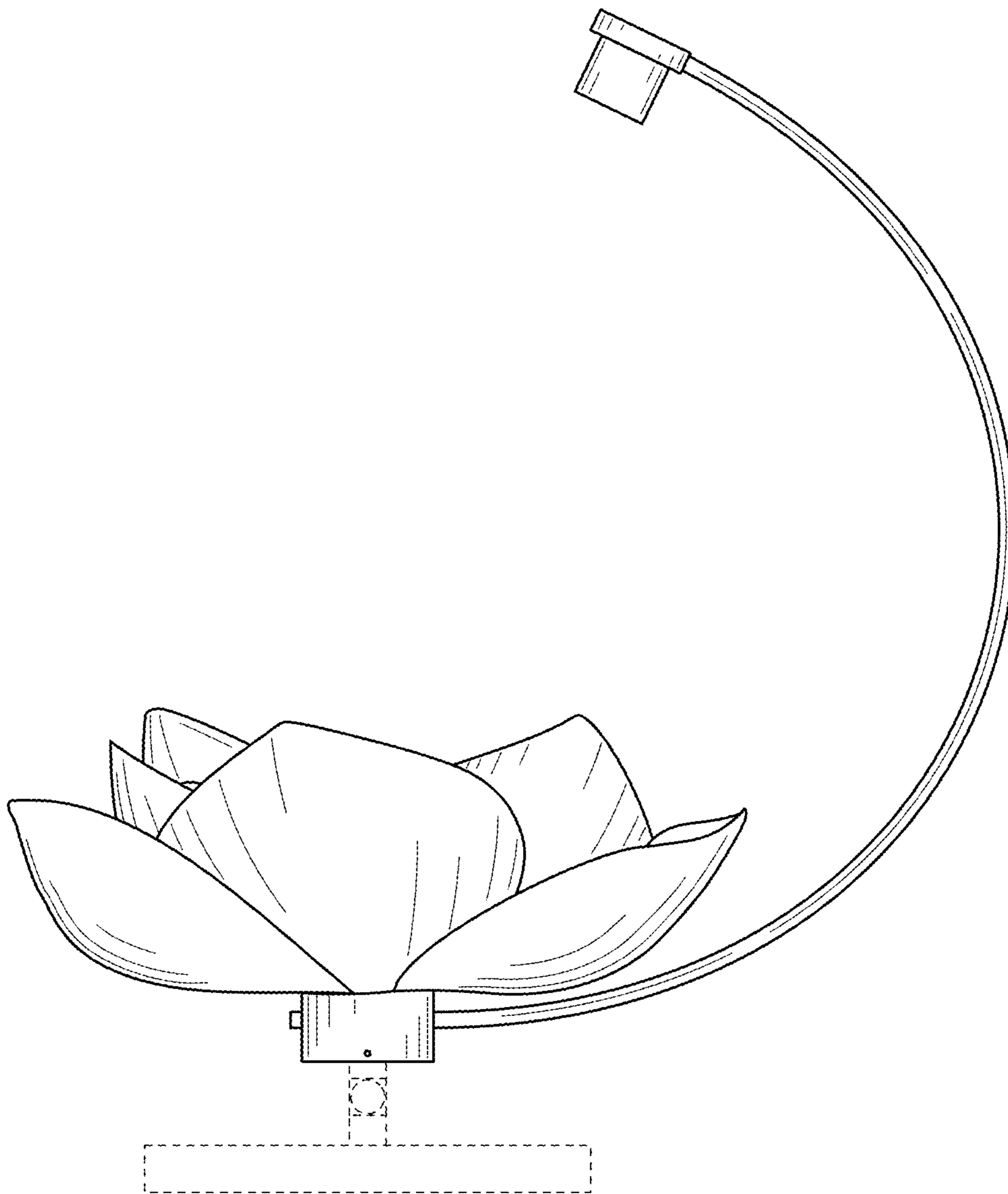


FIG. 3

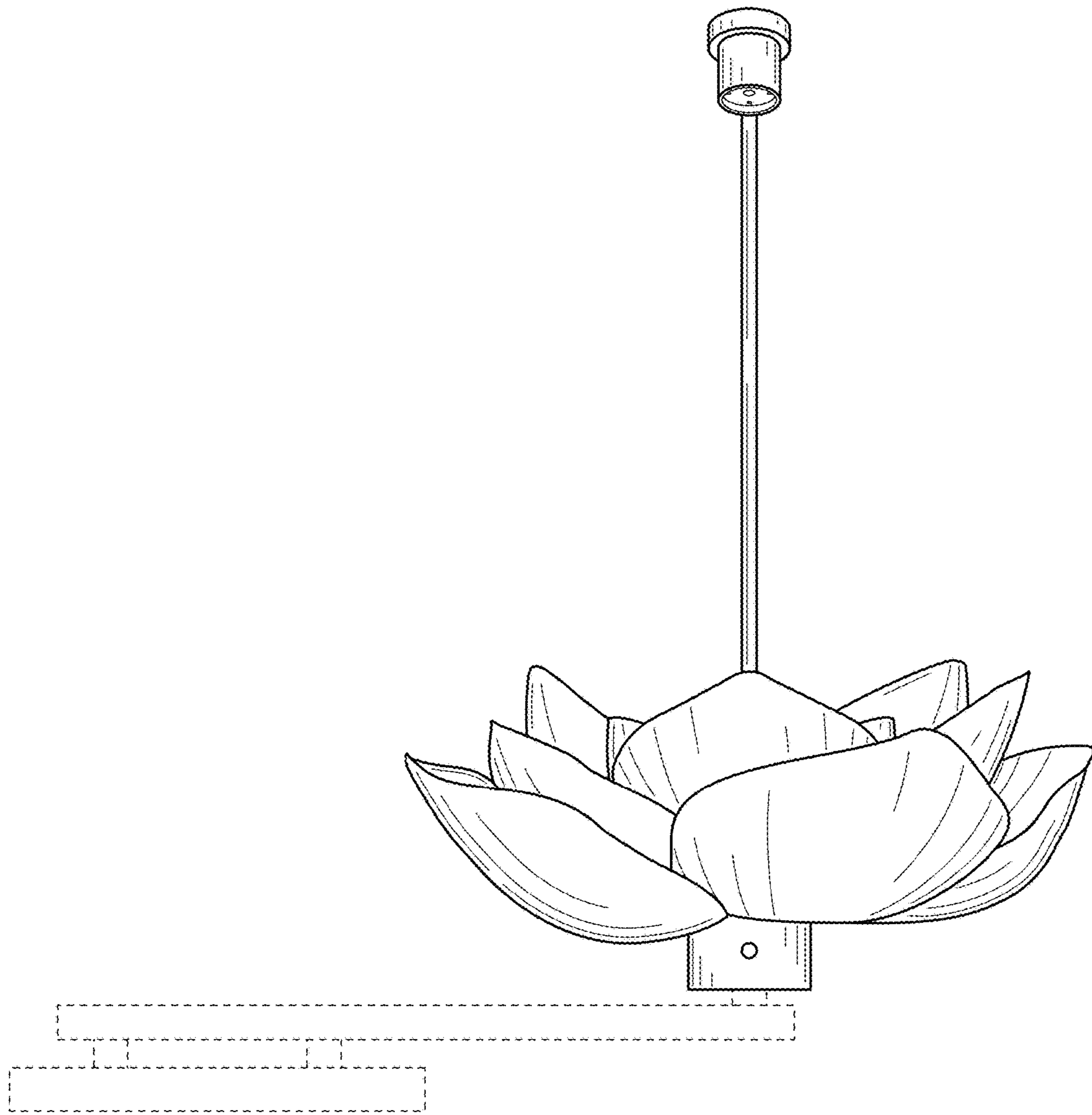


FIG. 4

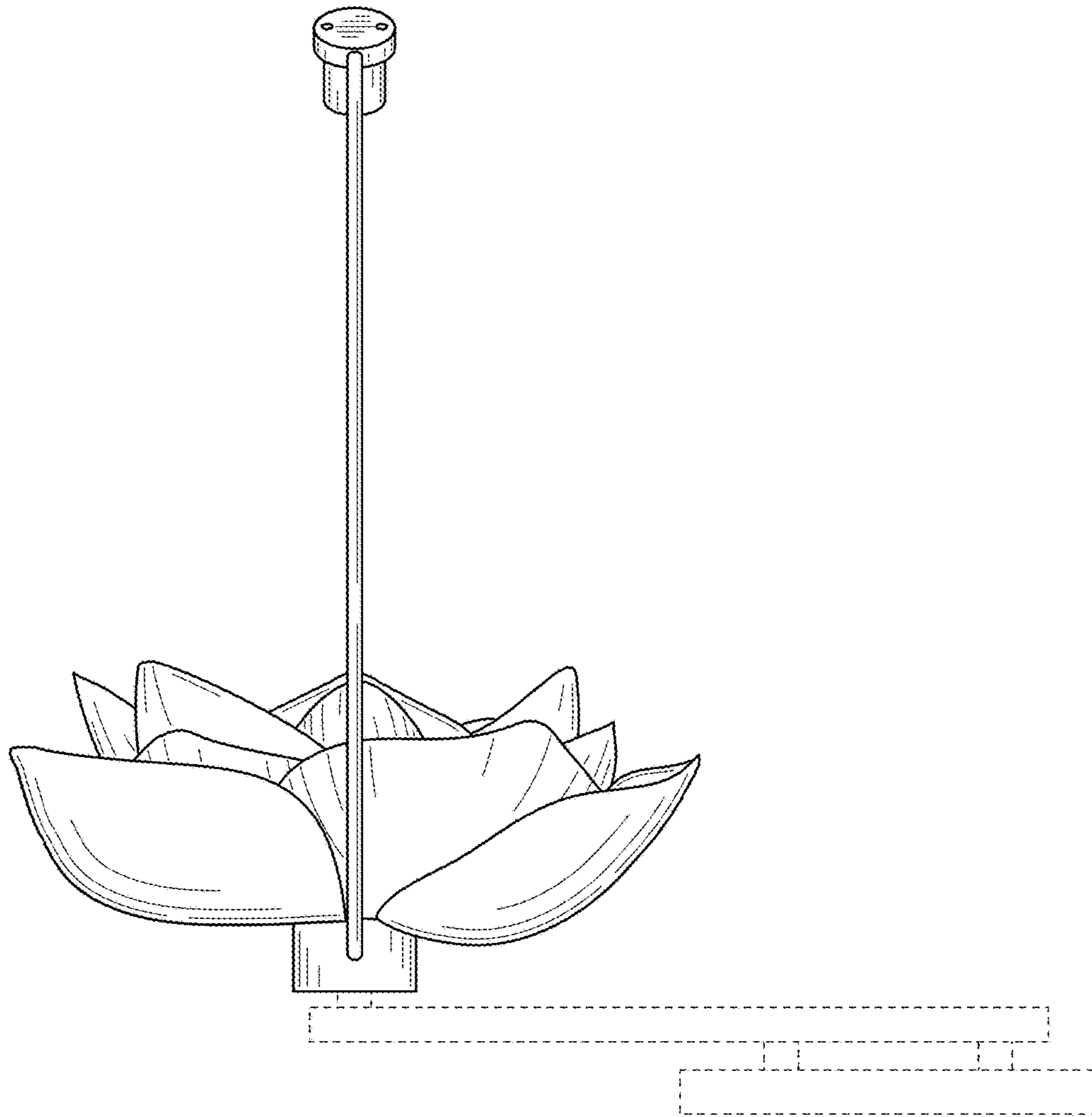


FIG. 5

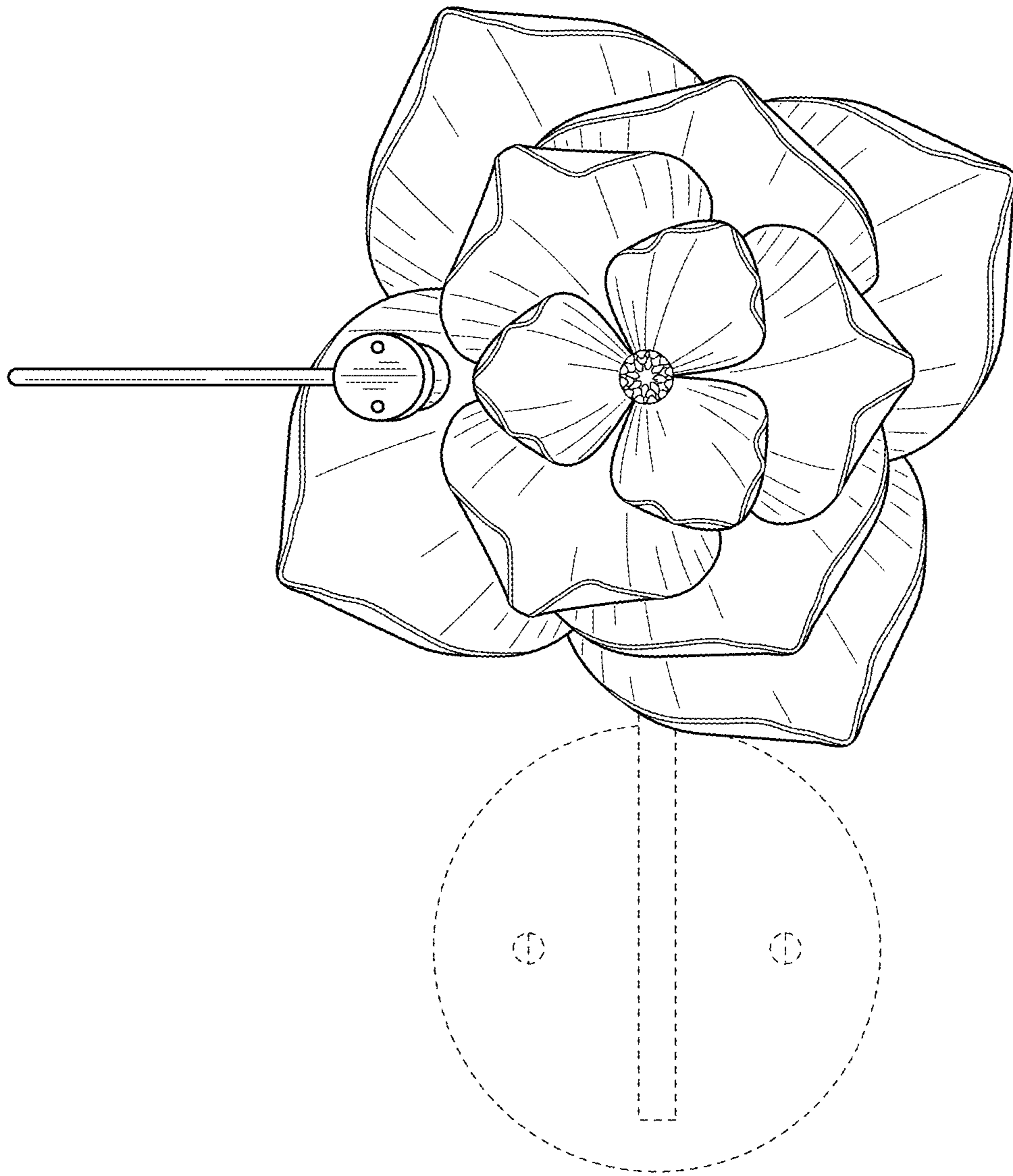


FIG. 6

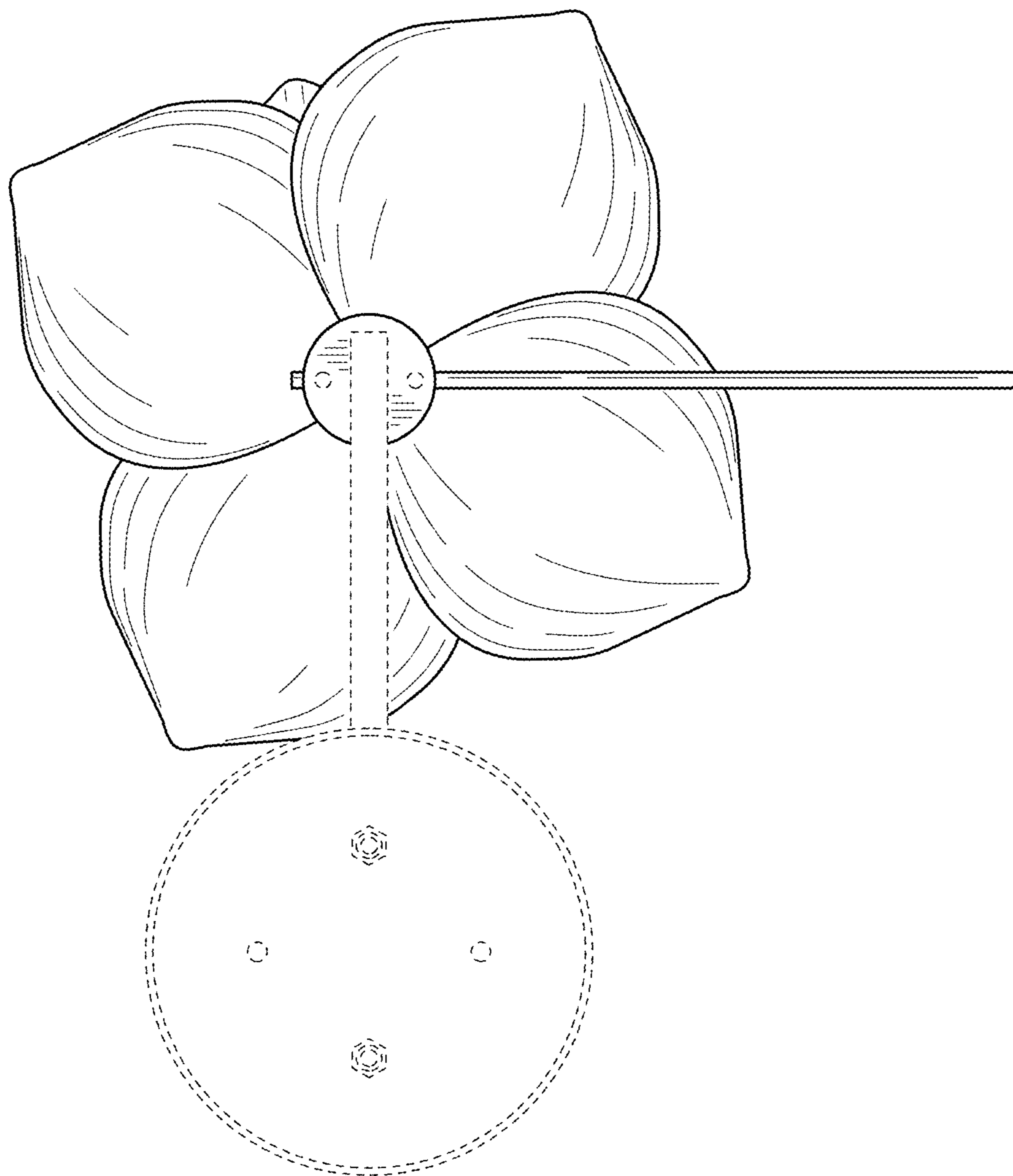


FIG. 7