



US00D831251S

(12) **United States Design Patent**
Tirosh

(10) **Patent No.:** **US D831,251 S**
(45) **Date of Patent:** **** Oct. 16, 2018**

(54) **CONNECTING LIGHTING MEMBER**

(71) Applicant: **Orili Ventures LTD**, Givat Brener (IL)

(72) Inventor: **Udi Josef Tirosh**, Givat Brener (IL)

(73) Assignee: **Orili Ventures LTD**, Givat Brener (IL)

(**) Term: **15 Years**

(21) Appl. No.: **29/558,890**

(22) Filed: **Mar. 22, 2016**

(51) **LOC (11) Cl.** **26-05**

(52) **U.S. Cl.**
USPC **D26/63**

(58) **Field of Classification Search**
USPC D10/111-115; D13/134; D14/473;
D25/119, 126, 133, 135; D26/38, 39, 40,
D26/42, 46, 48, 51, 54, 60, 61, 63, 64,
D26/65, 66, 71, 74, 75, 78, 80, 81, 82,
D26/83, 84, 85, 86, 88, 89, 91, 113, 118,
D26/119, 120, 121, 122, 138, 141, 142,
D26/152
CPC F21S 4/28; F21S 8/026; F21S 8/031; F21S
8/036; F21S 8/043; F21V 21/04; F21V
29/74; F21V 29/75; F21V 29/83
See application file for complete search history.

(56) **References Cited**

U.S. PATENT DOCUMENTS

D151,855 S * 11/1948 Nitardy D26/109
D292,236 S * 10/1987 Caldwell D26/65
D295,287 S * 4/1988 Krogrud D16/135
6,216,717 B1 * 4/2001 Chen E04H 15/44
135/122
7,726,840 B2 * 6/2010 Pearson F21S 2/005
362/249.01
D635,707 S * 4/2011 Ng D26/65
D668,371 S * 10/2012 Alpaslan D26/72
8,801,237 B2 * 8/2014 Pearson F21S 2/005
362/249.02

8,864,347 B2 * 10/2014 Pearson F21S 2/005
362/362
D761,478 S * 7/2016 Ng D26/80
D761,990 S * 7/2016 Ng D26/80

(Continued)

OTHER PUBLICATIONS

Spekular LED Light (available online Aug. 31, 2017) Retrieved from the internet Dec. 8, 2017, retrieved from URL: https://www.youtube.com/watch?time_continue=1&v=lad-iyjapck.*

Primary Examiner — Kevin K Rudzinski

Assistant Examiner — Richard Kearney

(74) *Attorney, Agent, or Firm* — William A. Loginov;
Loginov & Associates

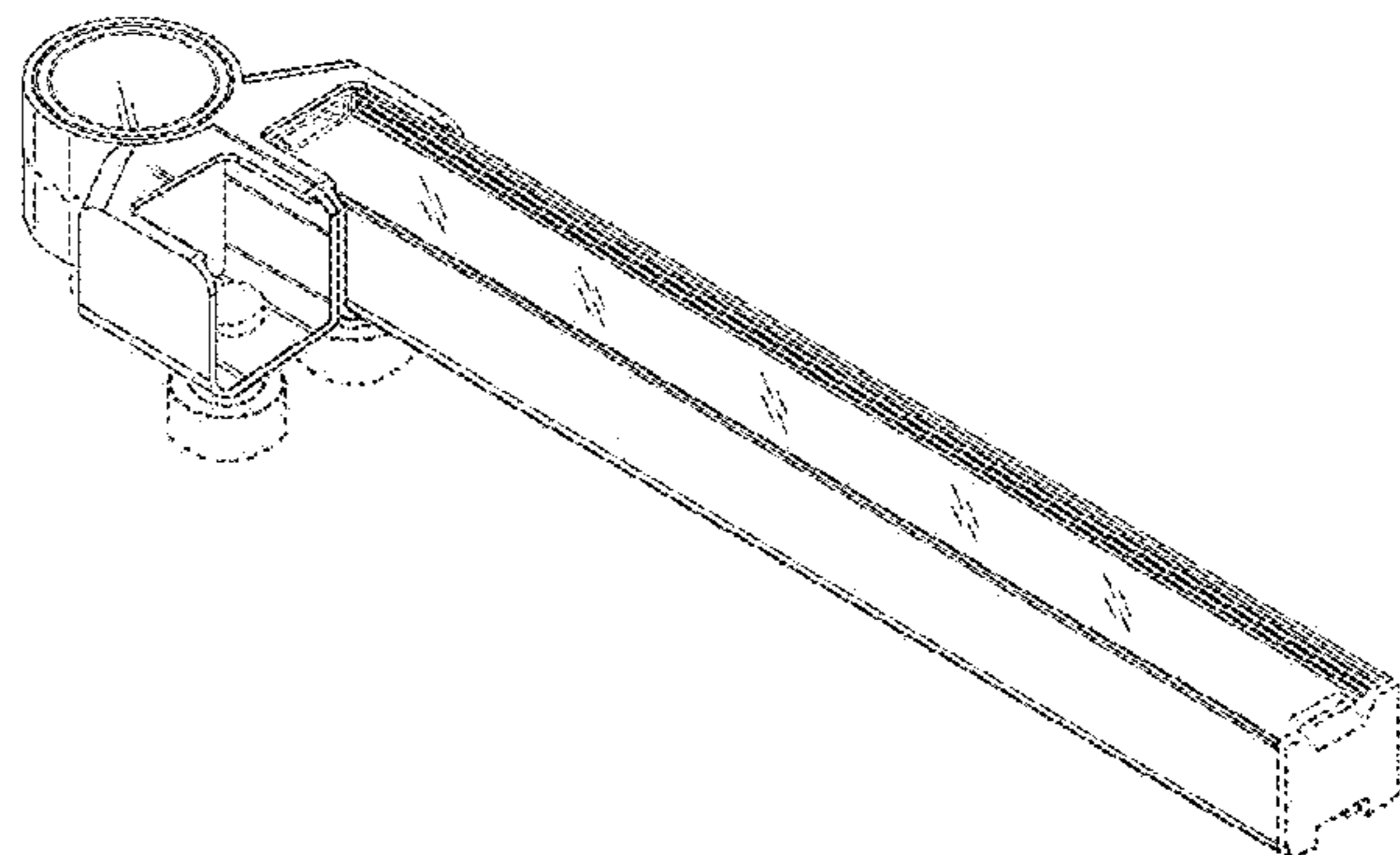
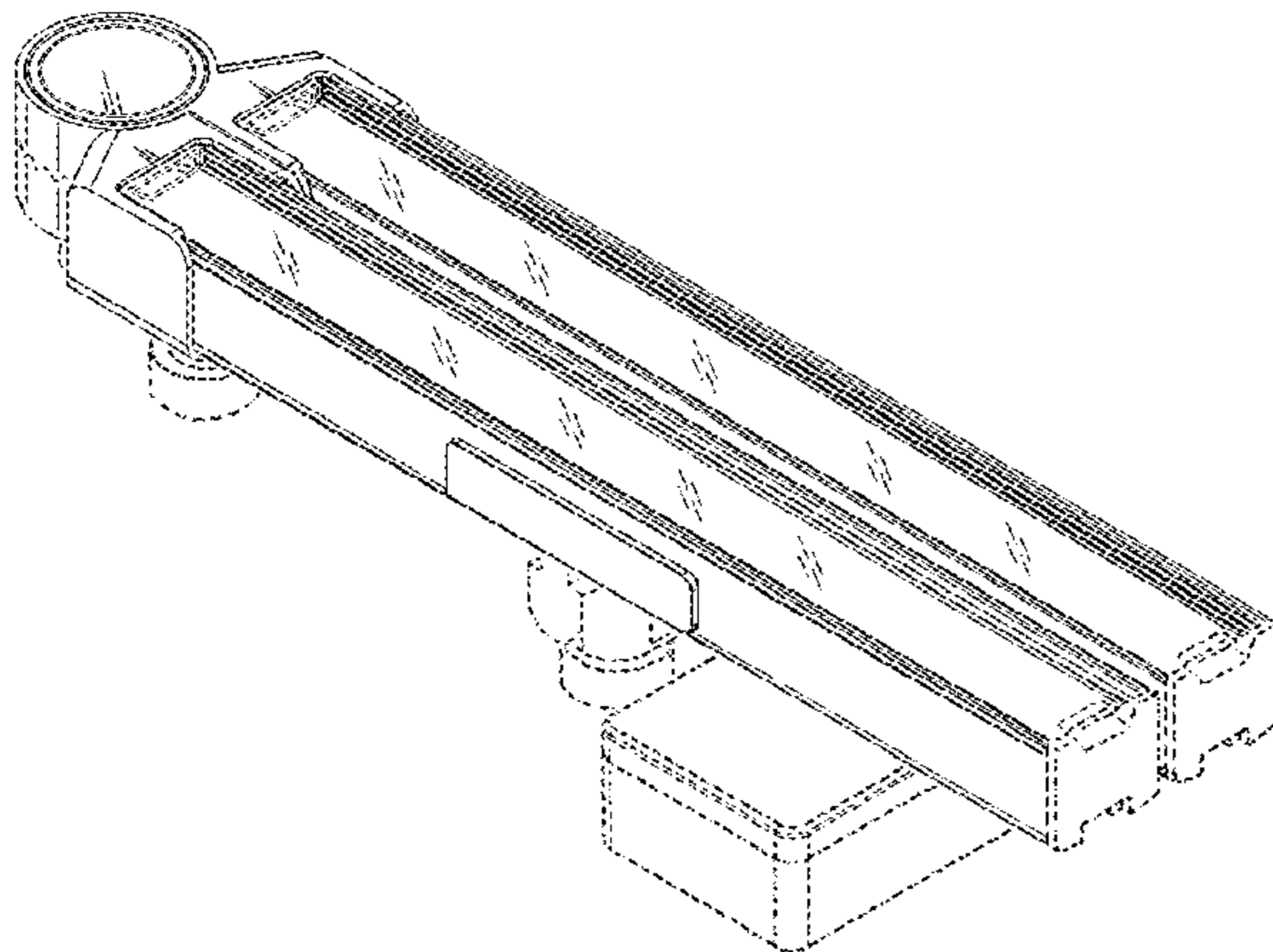
(57) **CLAIM**

The ornamental design for a connecting lighting member, as shown and described.

DESCRIPTION

FIG. 1 is a perspective view of a connecting lighting member, according to a first embodiment;
FIG. 2 is a front view thereof;
FIG. 3 is a rear view thereof;
FIG. 4 is a right side view thereof;
FIG. 5 is a left side view thereof;
FIG. 6 is a top view thereof;
FIG. 7 is a bottom view thereof;
FIG. 8 is a perspective view of the connecting lighting member, according to a second embodiment;
FIG. 9 is a front view thereof;
FIG. 10 is a rear view thereof;
FIG. 11 is a right side view thereof;
FIG. 12 is a left side view thereof;
FIG. 13 is a top view thereof; and,
FIG. 14 is a bottom view thereof.
The broken lines shown in the drawings illustrate portions of the connecting lighting member that form no part of the claimed design.

1 Claim, 6 Drawing Sheets



(56)

References Cited

U.S. PATENT DOCUMENTS

D768,900 S * 10/2016 Polaczek D26/63
9,570,897 B2 * 2/2017 Dobrinski H02G 7/125
2012/0140474 A1 * 6/2012 Jurik F21S 2/00
362/249.09
2017/0030561 A1 * 2/2017 Dix F21S 2/005

* cited by examiner

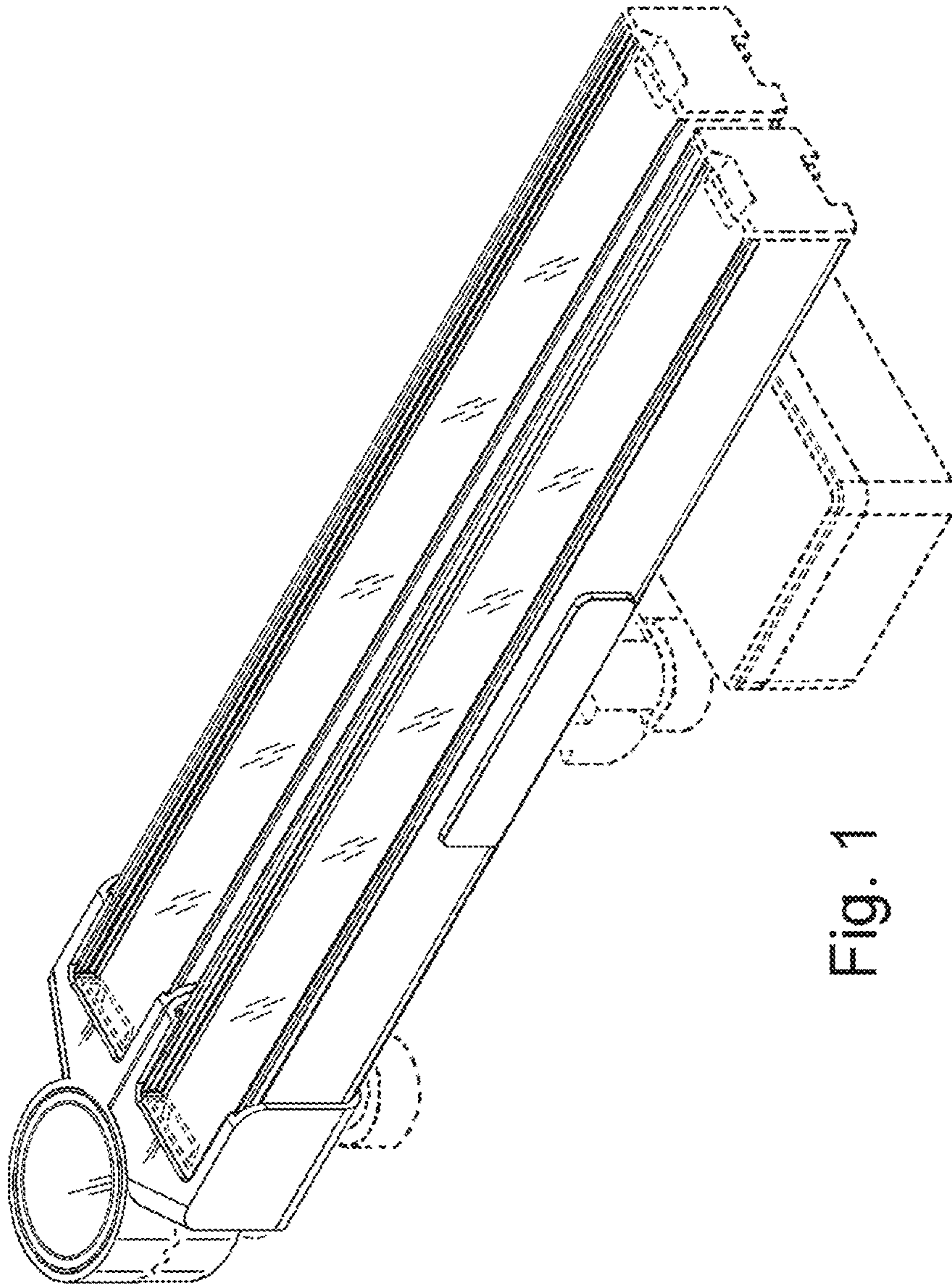


Fig. 1

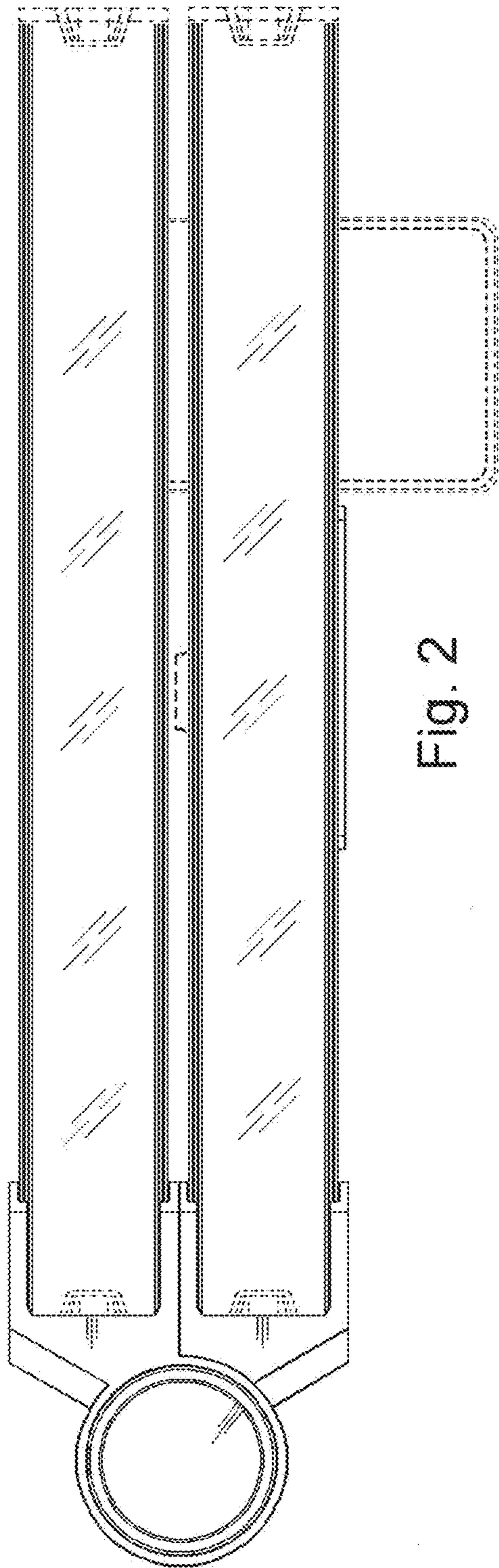


Fig. 2

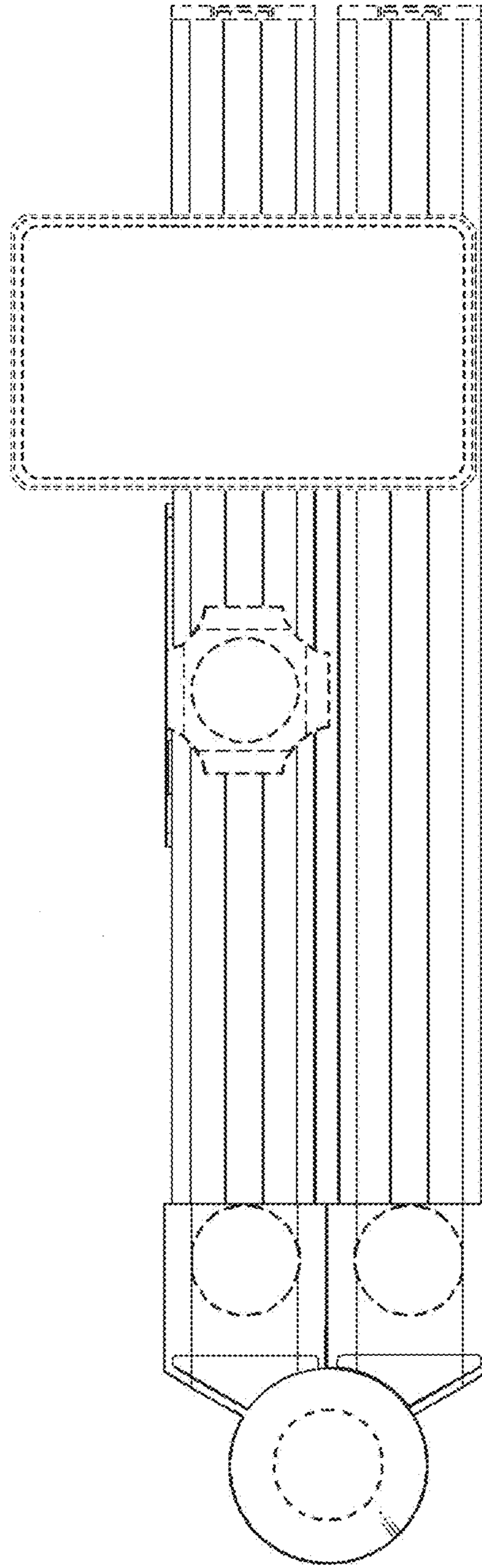


Fig. 3

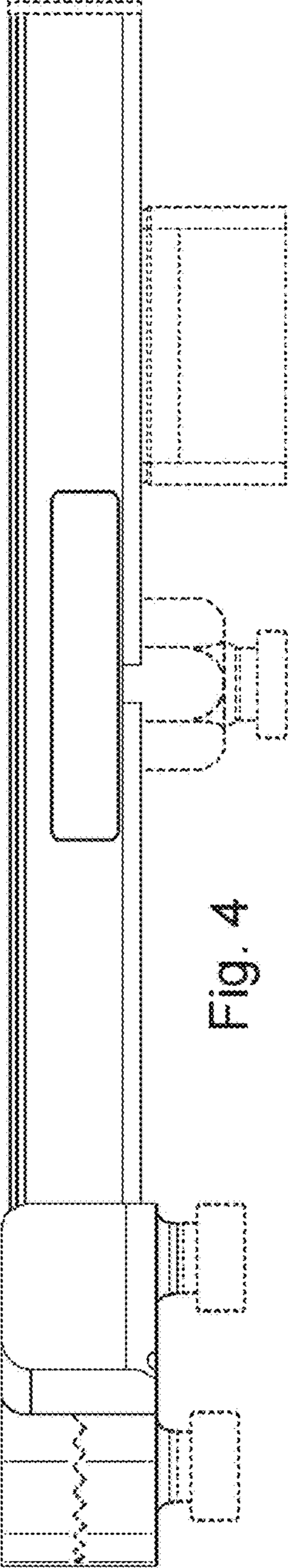


Fig. 4

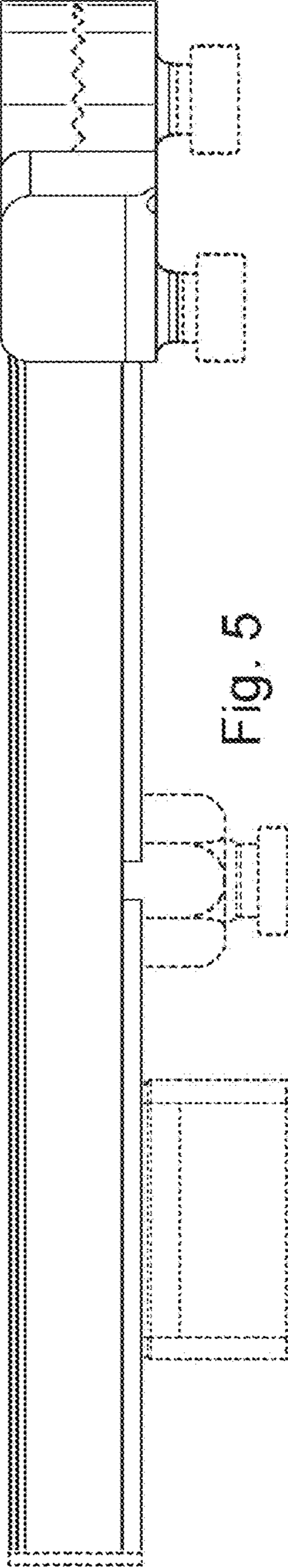


Fig. 5



Fig. 6

Fig. 7

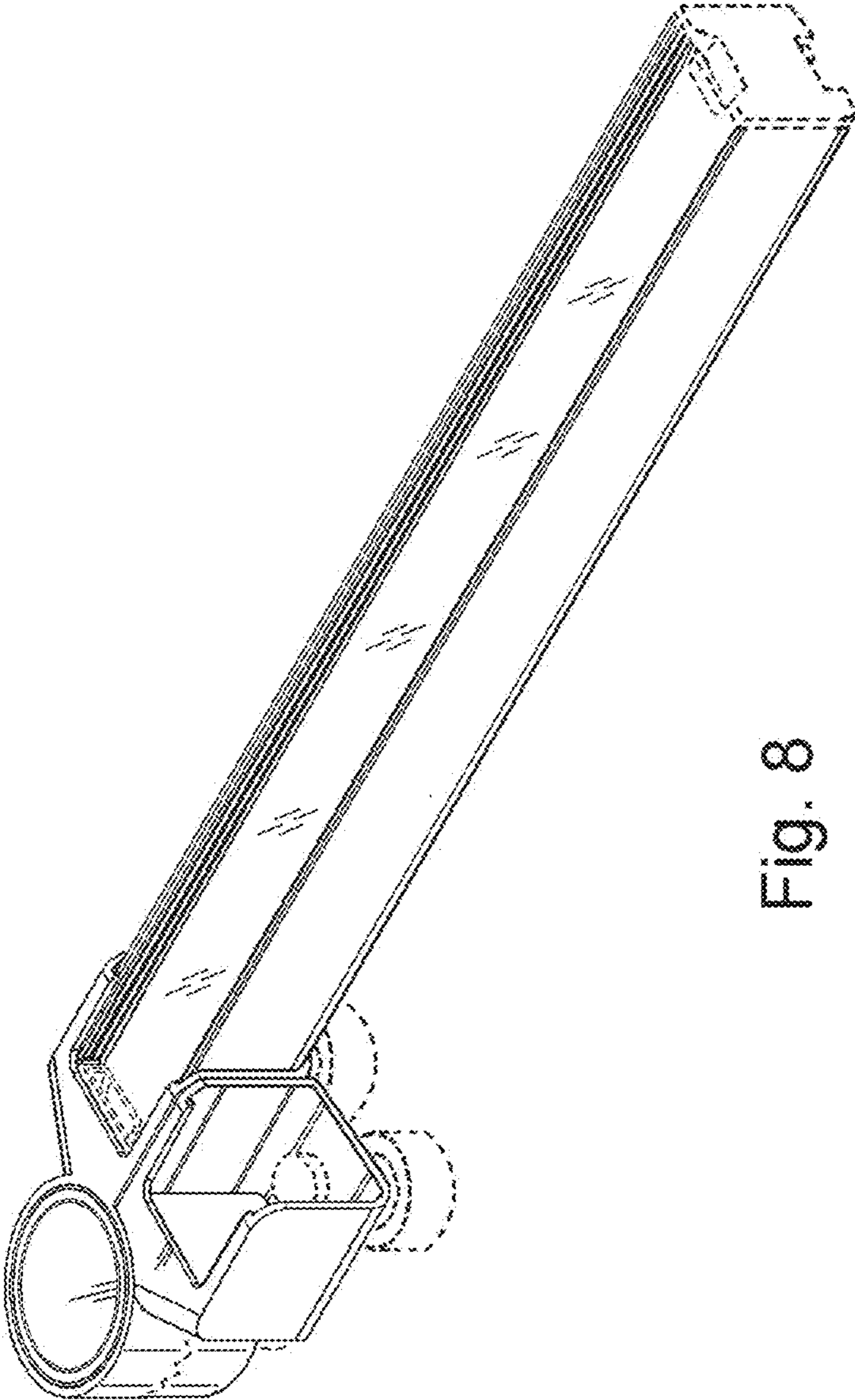
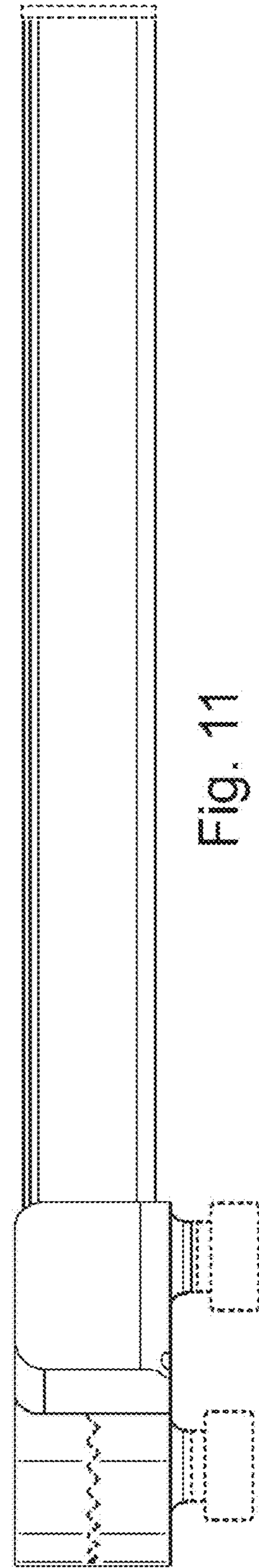
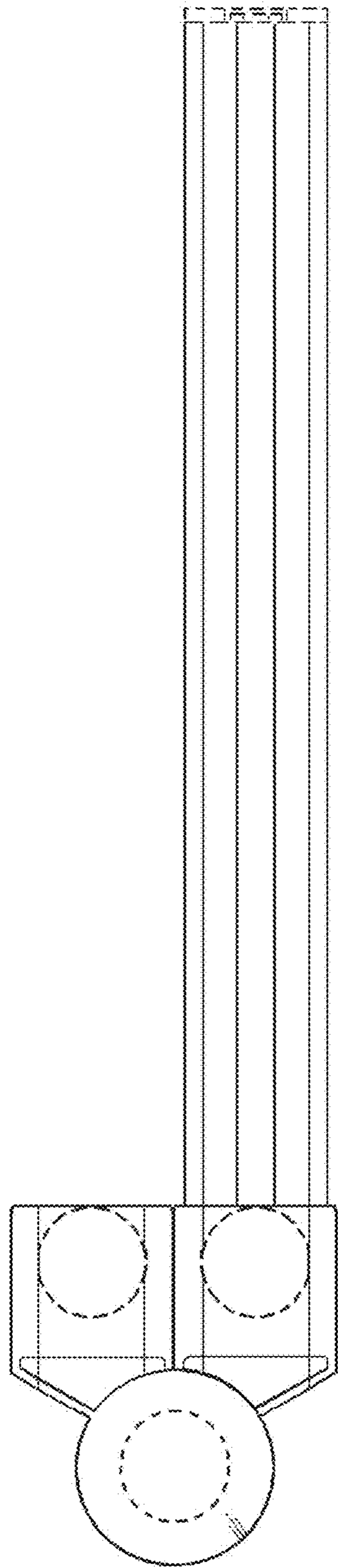
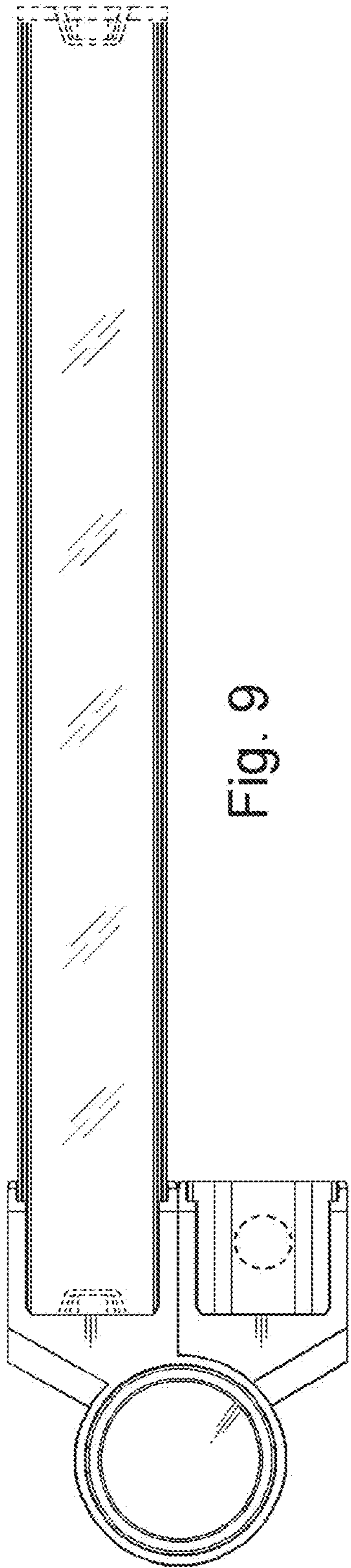


Fig. 8



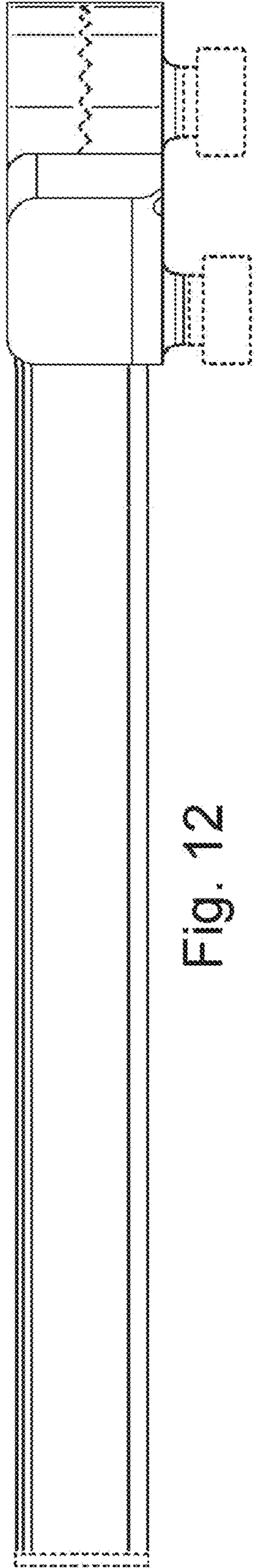


Fig. 12

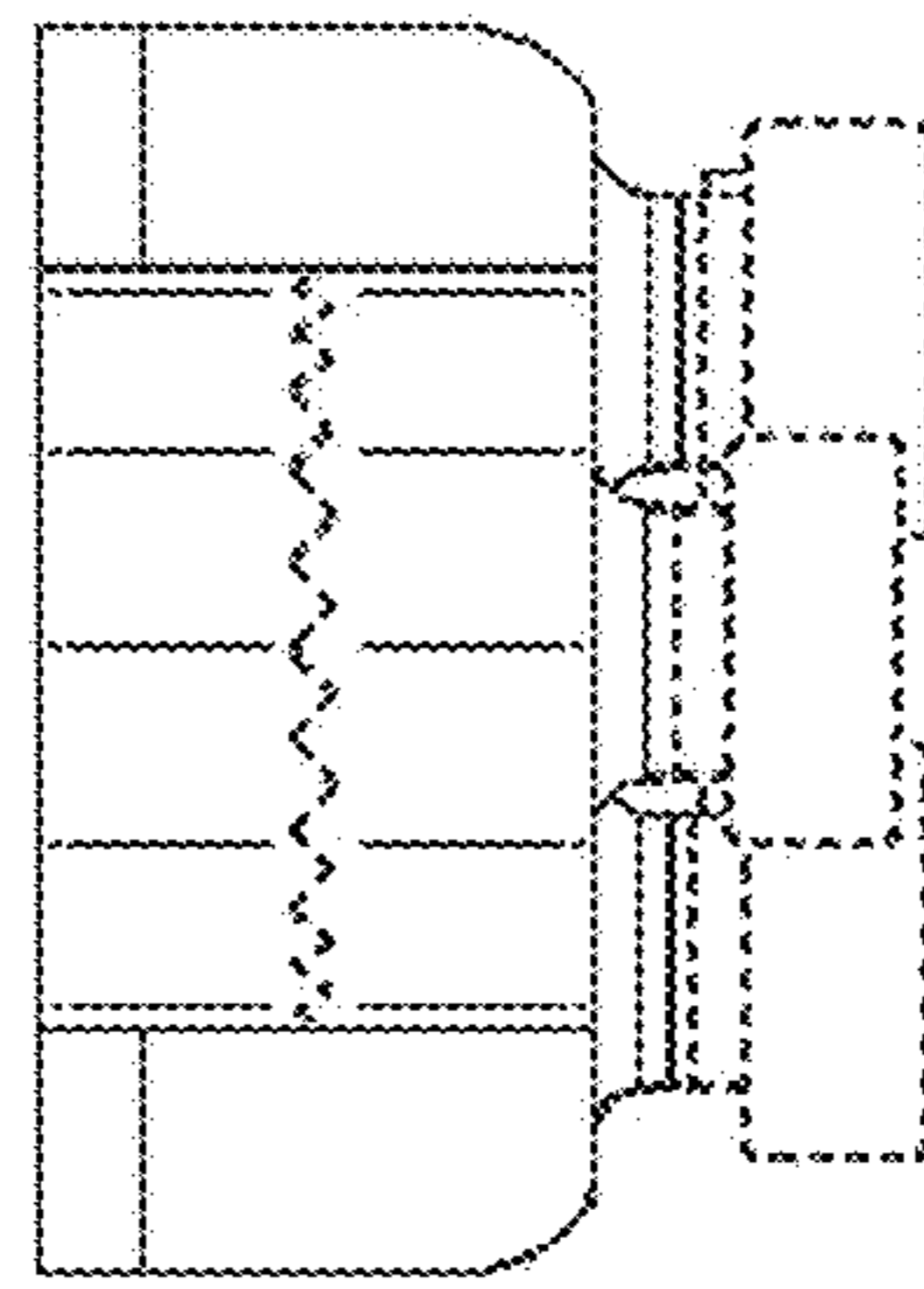


Fig. 13

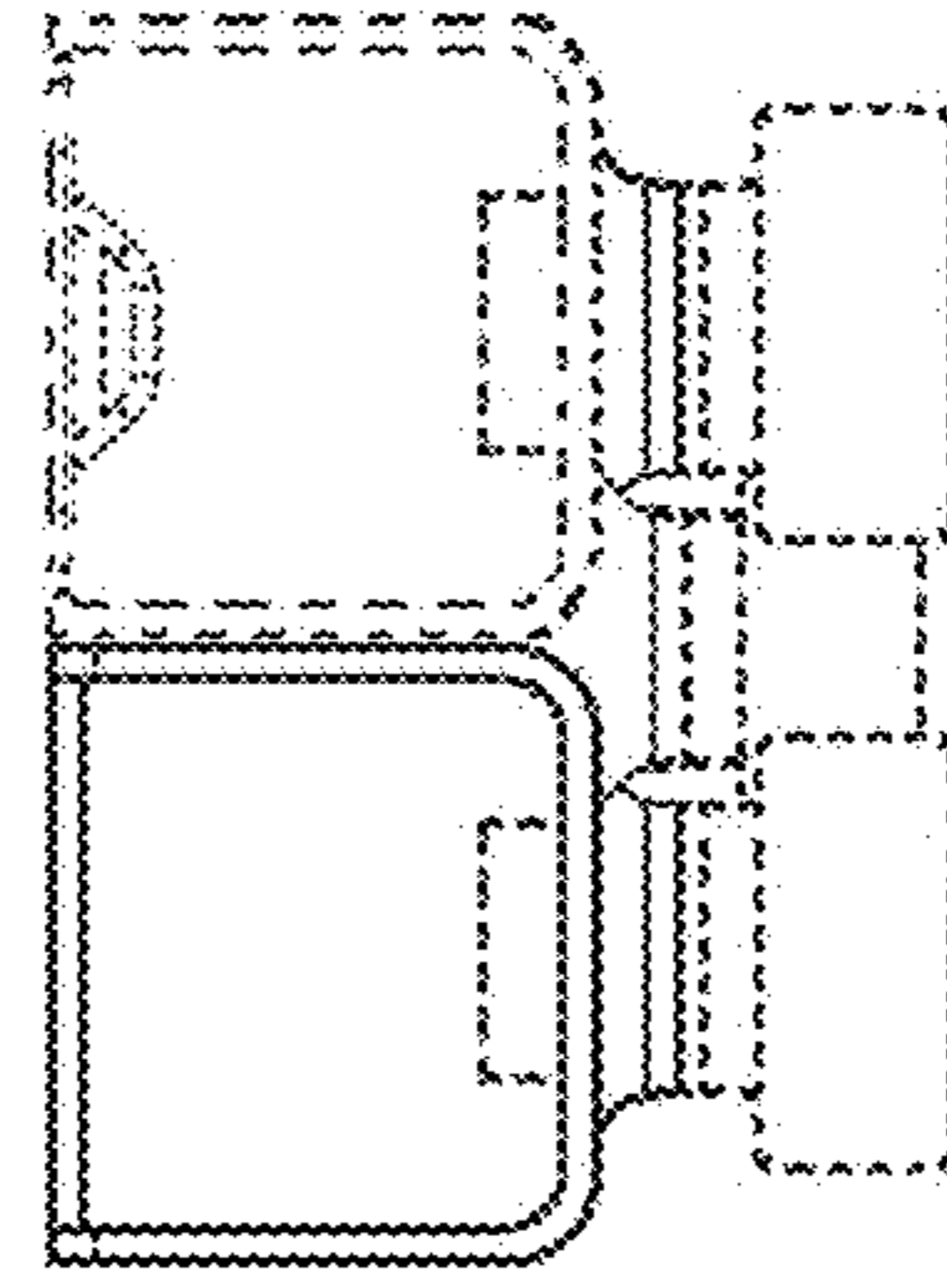


Fig. 14