



US00D831250S

(12) **United States Design Patent** (10) **Patent No.:** **US D831,250 S**
Wu (45) **Date of Patent:** **** Oct. 16, 2018**

(54) **FLASHLIGHT**
(71) Applicant: **Liuning Wu**, Ningbo (CN)
(72) Inventor: **Liuning Wu**, Ningbo (CN)
(73) Assignee: **Ningbo Worth International Trade Co., Ltd.**, Ningbo (CN)
(**) Term: **15 Years**

D413,401 S * 8/1999 McDonald D26/49
D445,926 S * 7/2001 Cheong D26/37
D455,511 S * 4/2002 Chang D26/46
D561,365 S * 2/2008 Huff D26/37
D636,512 S * 4/2011 Heath D26/49
D638,157 S * 5/2011 Lee D26/49
D645,181 S * 9/2011 Garcia D26/49
D667,577 S * 9/2012 Wu D26/49
D667,976 S * 9/2012 Wu D26/49
D674,946 S * 1/2013 Bertken D26/49
D675,358 S * 1/2013 Brands D26/49
D743,075 S * 11/2015 Keaton D22/108

(21) Appl. No.: **29/588,266**
(22) Filed: **Dec. 19, 2016**
(51) **LOC (11) Cl.** **26-02**
(52) **U.S. Cl.**
USPC **D26/49**
(58) **Field of Classification Search**
USPC D26/37, 38, 46, 49, 51
CPC F21L 2003/00; F21L 4/00; F21L 4/005;
F21L 4/02; F21L 4/025; F21L 4/027;
F21L 4/04; F21L 4/08; F21L 2005/00;
F21L 7/00; F21L 11/00; F21L 13/00;
F21L 13/04; F21L 13/08; F21L 14/02;
F21L 17/00; F21L 19/00
See application file for complete search history.

* cited by examiner

Primary Examiner — Susan Bennett Hattan
Assistant Examiner — Carissa C Fitts
(74) *Attorney, Agent, or Firm* — Thomas I. Rozsa

(56) **References Cited**

U.S. PATENT DOCUMENTS

D368,786 S * 4/1996 Van Cort D26/49
D403,450 S * 12/1998 Ting D26/37

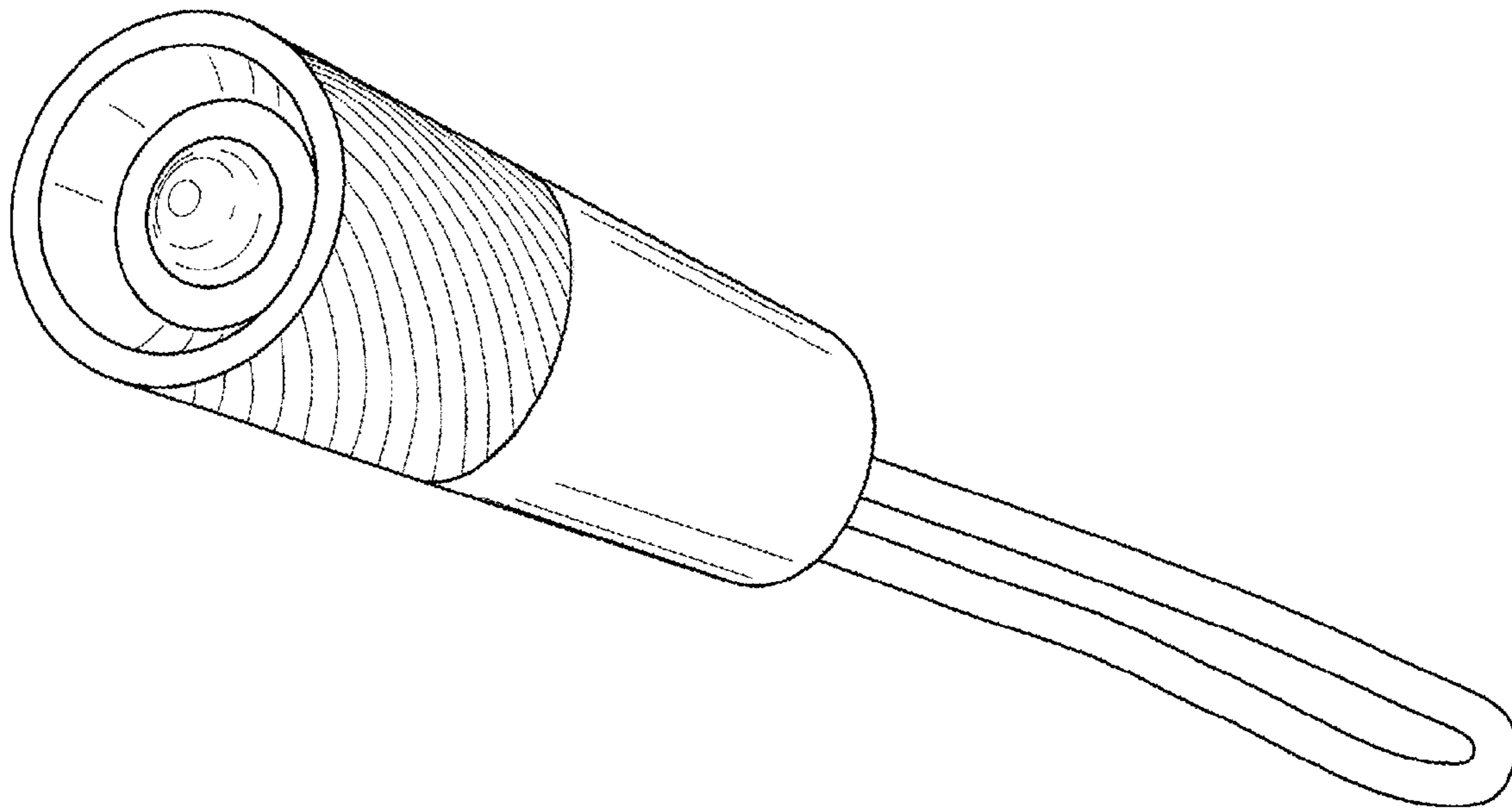
(57) **CLAIM**

The ornamental design for a flashlight, as shown and described.

DESCRIPTION

FIG. 1 is a rear side perspective view of a first embodiment of the flashlight, showing my new design;
FIG. 2 is a side perspective view thereof;
FIG. 3 is a front view thereof;
FIG. 4 is a rear view thereof;
FIG. 5 is a left side view thereof;
FIG. 6 is a bottom view thereof; and,
FIG. 7 is a top view thereof.

1 Claim, 6 Drawing Sheets



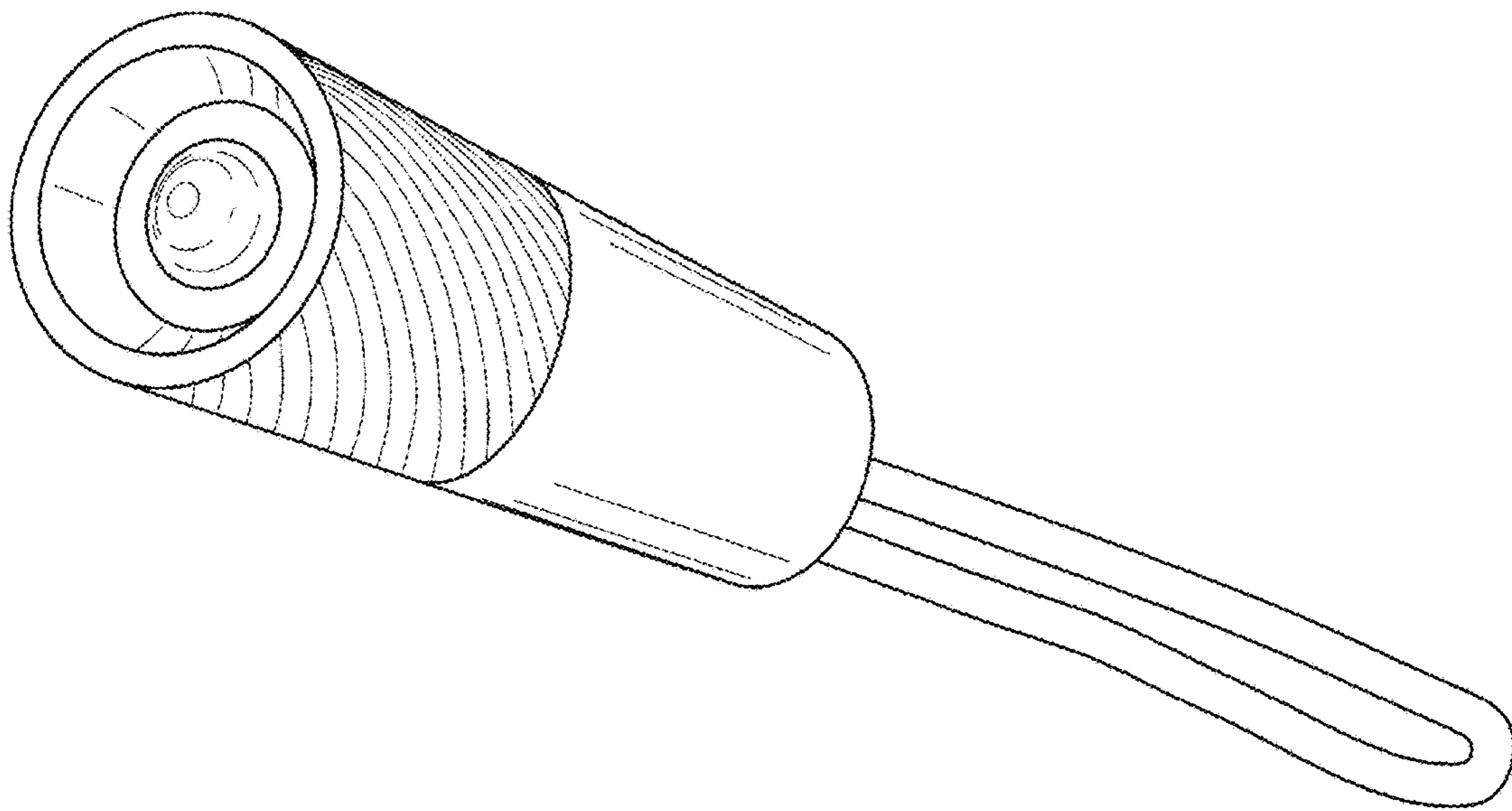


FIG. 1

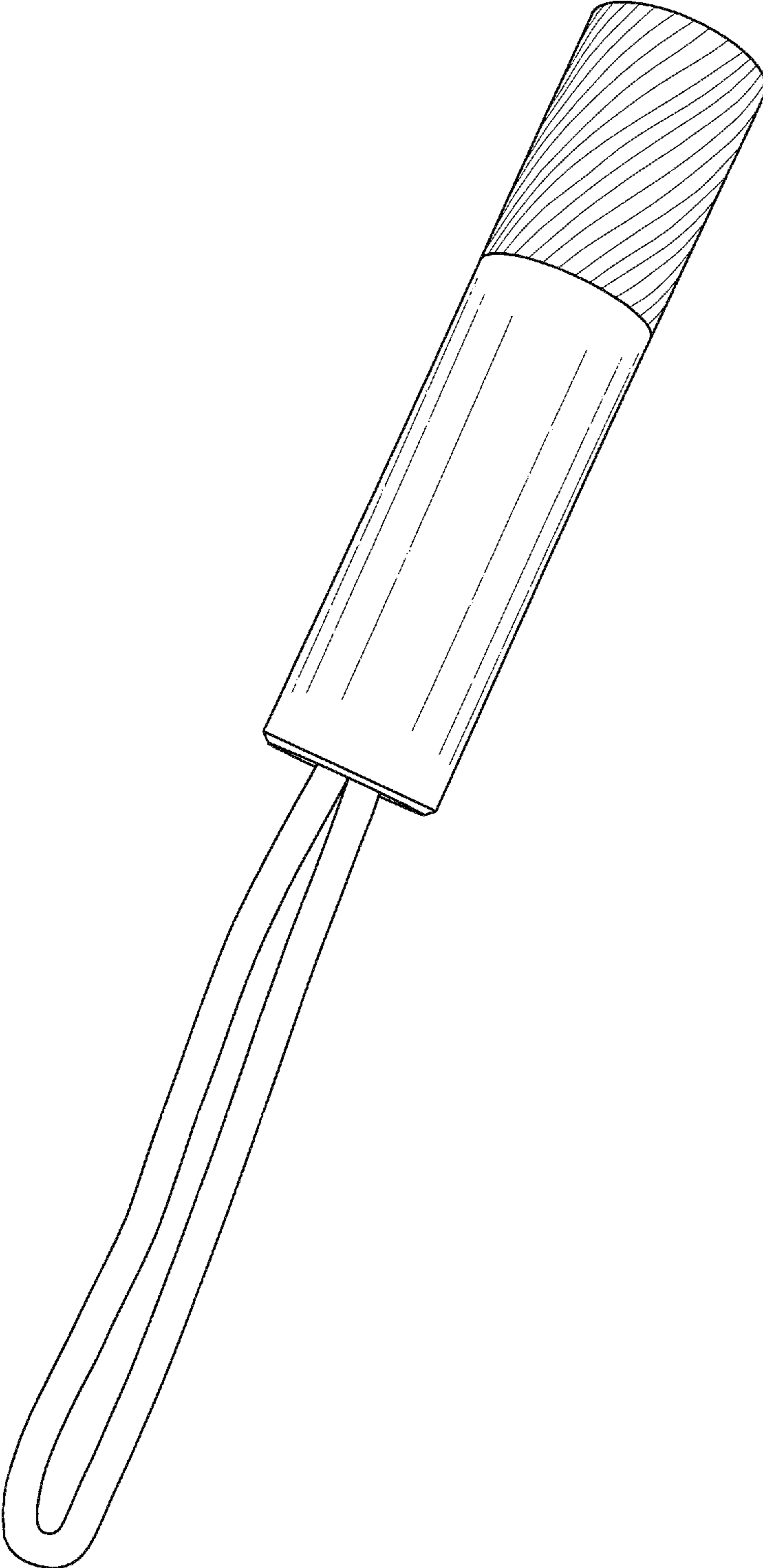


FIG. 2

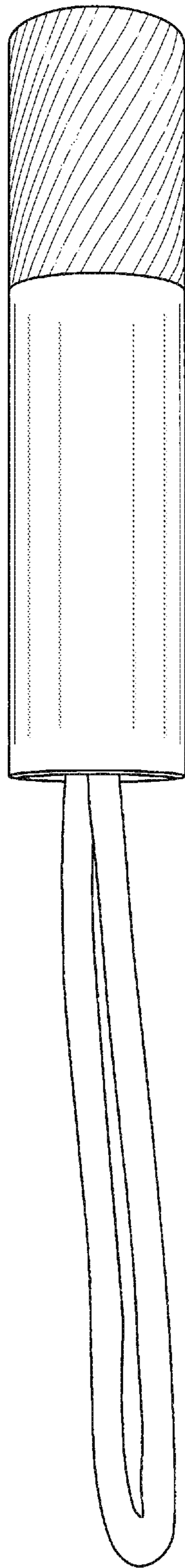


FIG. 3

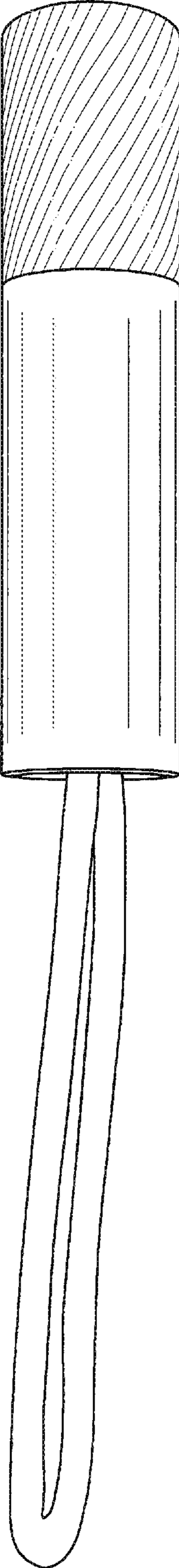


FIG. 4

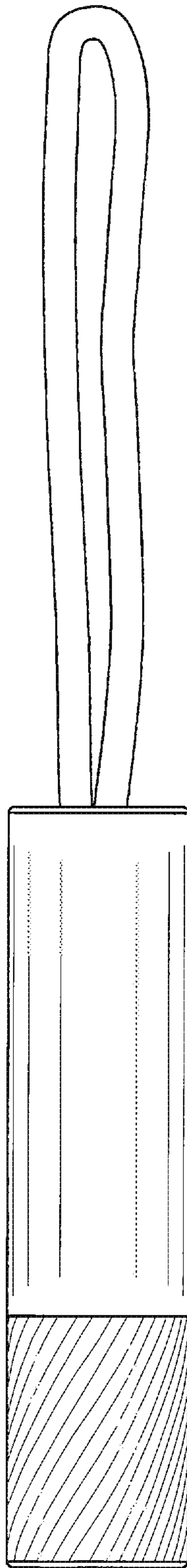


FIG. 5

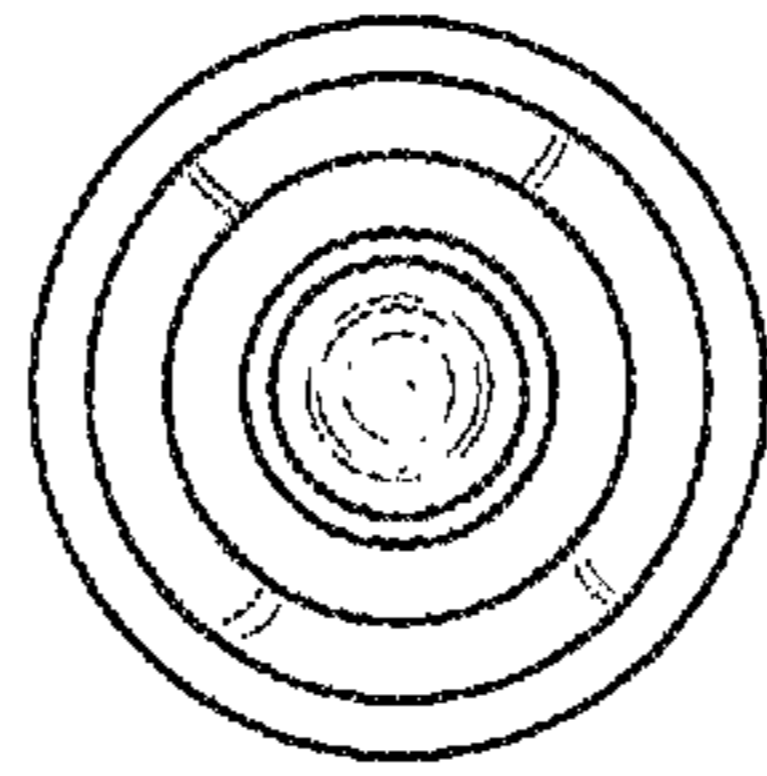


FIG. 6

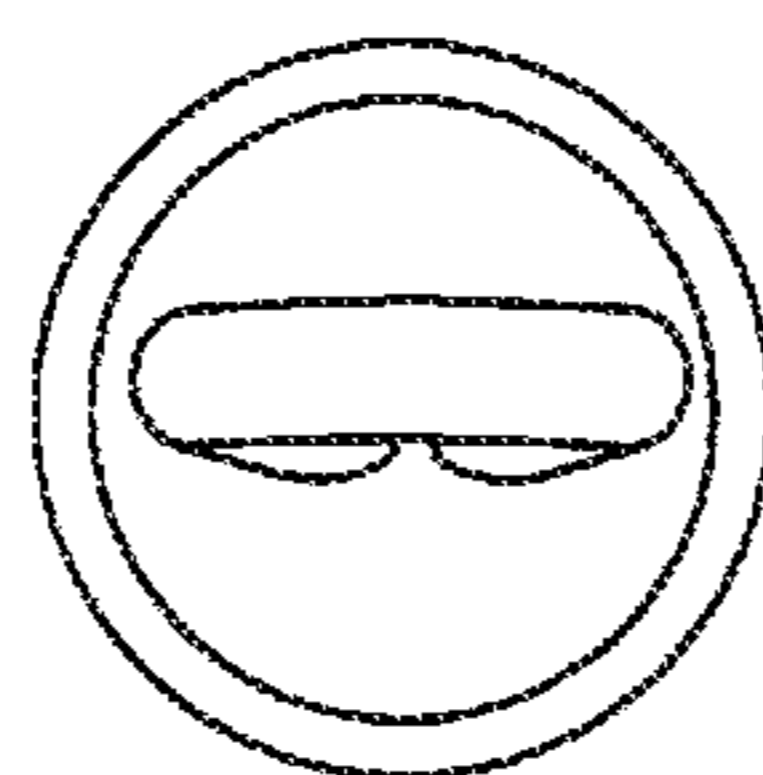


FIG. 7