



US00D831249S

(12) **United States Design Patent** (10) **Patent No.:** **US D831,249 S**
Berends et al. (45) **Date of Patent:** **** Oct. 16, 2018**

- (54) **WORK LIGHT** D489,467 S * 5/2004 Mackin D26/119
- (71) Applicant: **Ningbo QTOP Imp & Exp Co., Ltd,** D500,383 S * 12/2004 Lin D26/119
Ningbo (CN) D523,577 S * 6/2006 Bayat D26/42
- (72) Inventors: **Boyd Edward Berends, Zeeland, MI** D543,301 S * 5/2007 Chen D26/42
(US); Bob Andrew Johnson, III, D556,926 S * 12/2007 Thirouin D26/37
Holland, MI (US) D590,529 S * 4/2009 Jiang D26/37
- (73) Assignee: **NINGBO QTOP IMPORT &** D603,542 S * 11/2009 Moss D26/51
EXPORT CO., LTD (CN) D631,178 S * 1/2011 Kovacik D26/38

(**) Term: **15 Years**

(21) Appl. No.: **29/577,064**

(22) Filed: **Sep. 9, 2016**

Related U.S. Application Data

(63) Continuation-in-part of application No. 15/192,061,
filed on Jun. 24, 2016.

(51) **LOC (11) Cl.** **26-02**

(52) **U.S. Cl.**
USPC **D26/42**

(58) **Field of Classification Search**
USPC D26/37-51
CPC F21L 2003/00; F21L 4/00; F21L 4/005;
F21L 4/02; F21L 4/025; F21L 4/027;
F21L 4/04; F21L 4/08; F21L 2005/00;
F21L 7/00; F21L 11/00; F21L 13/00;
F21L 13/04; F21L 13/08; F21L 14/02;
F21L 17/00
See application file for complete search history.

(56) **References Cited**

U.S. PATENT DOCUMENTS

- 4,275,435 A * 6/1981 Dorn F21L 14/02
362/368
- D322,328 S * 12/1991 Burgett D26/37

* cited by examiner

Primary Examiner — Brandon M Rosati

Assistant Examiner — Carissa C Fitts

(74) *Attorney, Agent, or Firm* — The Watson IP Group,
PLC; Jovan N. Jovanovic; Vladan M. Vasiljevic

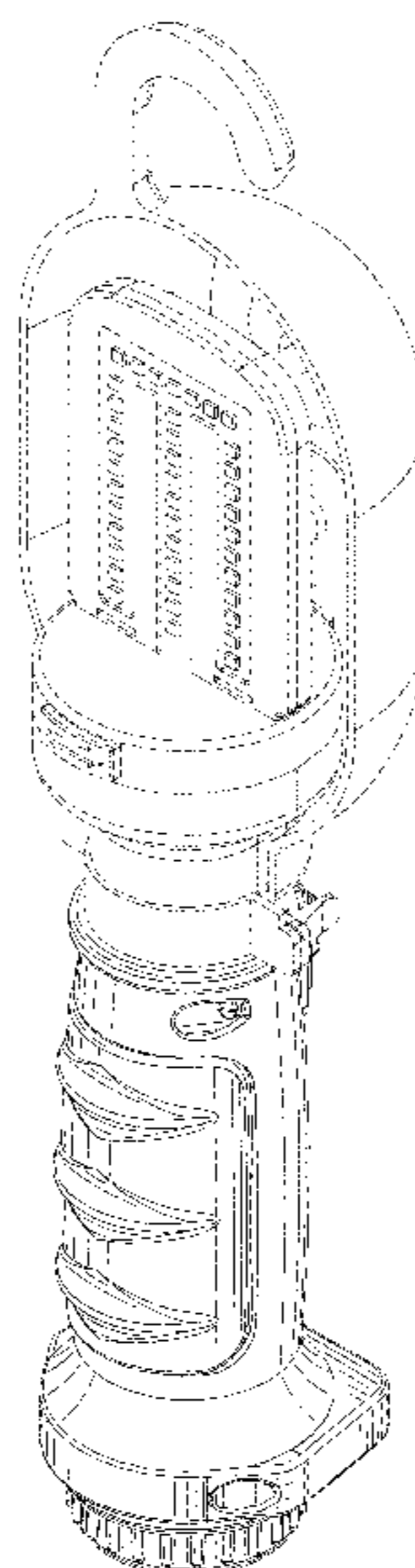
(57) **CLAIM**

The ornamental design for a work light, as shown and described.

DESCRIPTION

FIG. 1 of the drawings is a front perspective view of the work light showing, in particular, the ornamental design thereof;
FIG. 2 of the drawings is a back perspective view thereof;
FIG. 3 of the drawings is a front elevational view thereof;
FIG. 4 of the drawings is a back elevational view thereof;
FIG. 5 of the drawings is a first side elevational view thereof;
FIG. 6 of the drawings is a second side elevational view thereof;
FIG. 7 of the drawings is a top plan view thereof; and,
FIG. 8 of the drawings is a bottom plan view thereof.
The dashed lines show features that form no part of the claimed design.

1 Claim, 7 Drawing Sheets



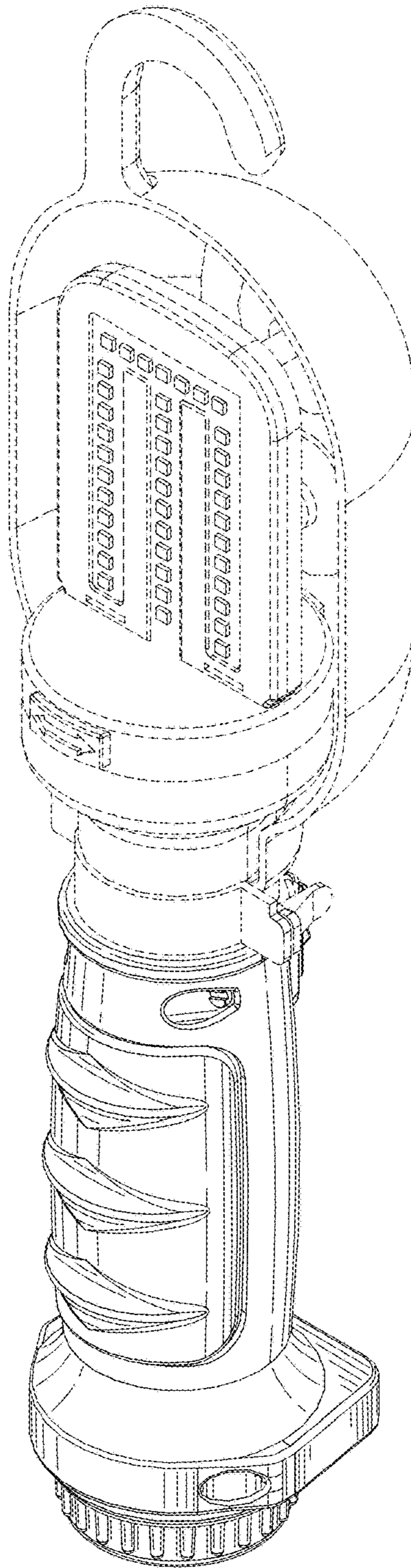


FIG. 1

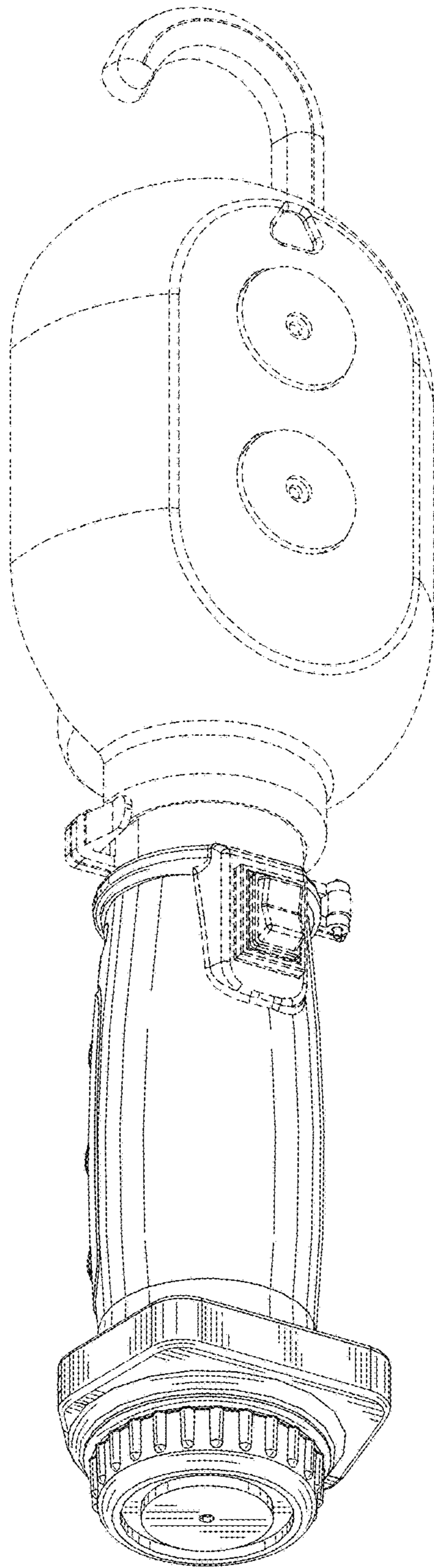


FIG. 2

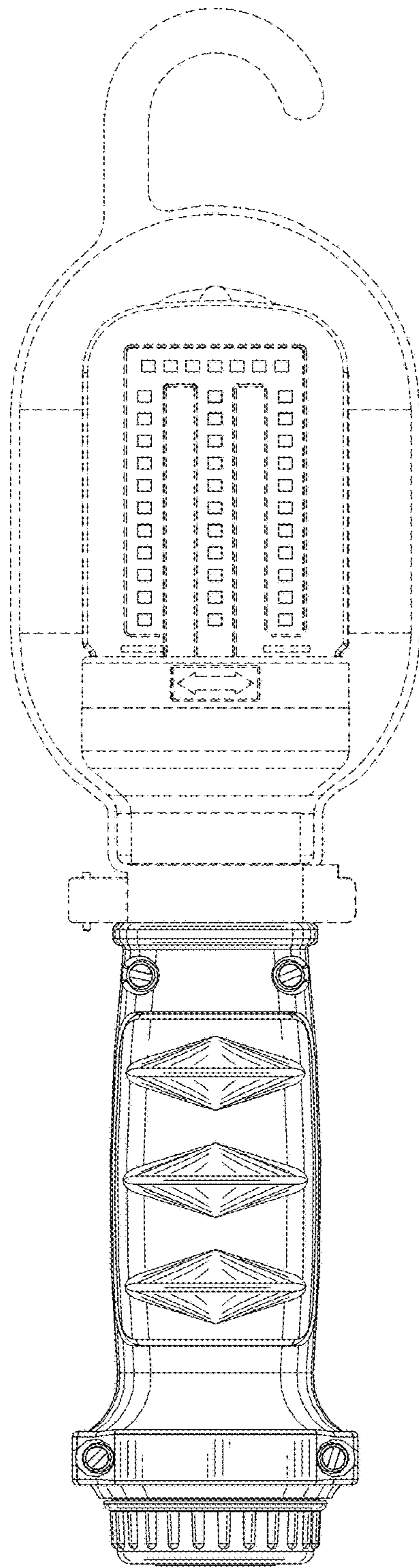


FIG. 3

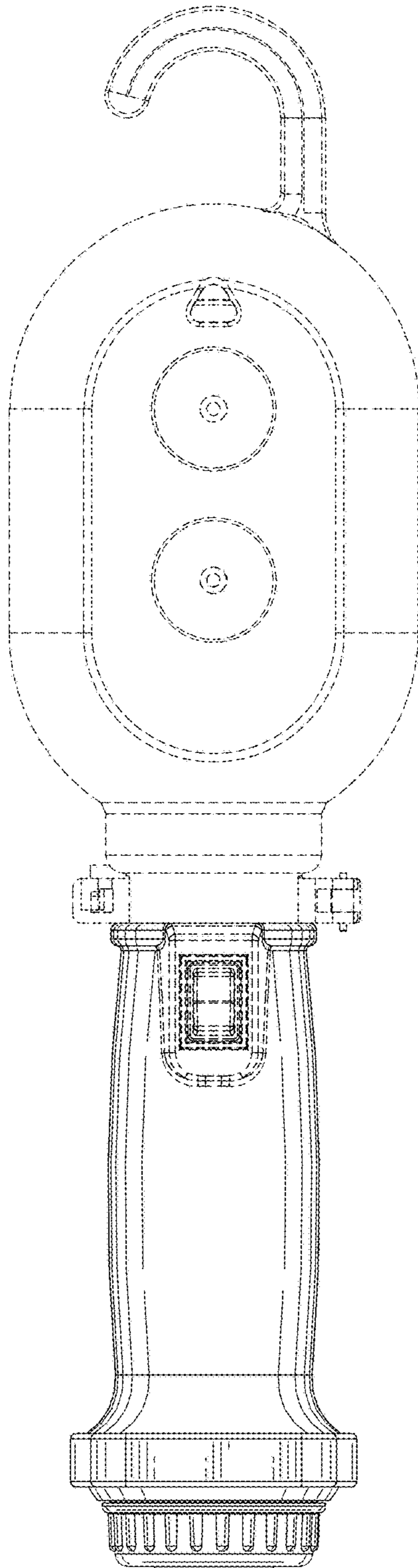


FIG. 4

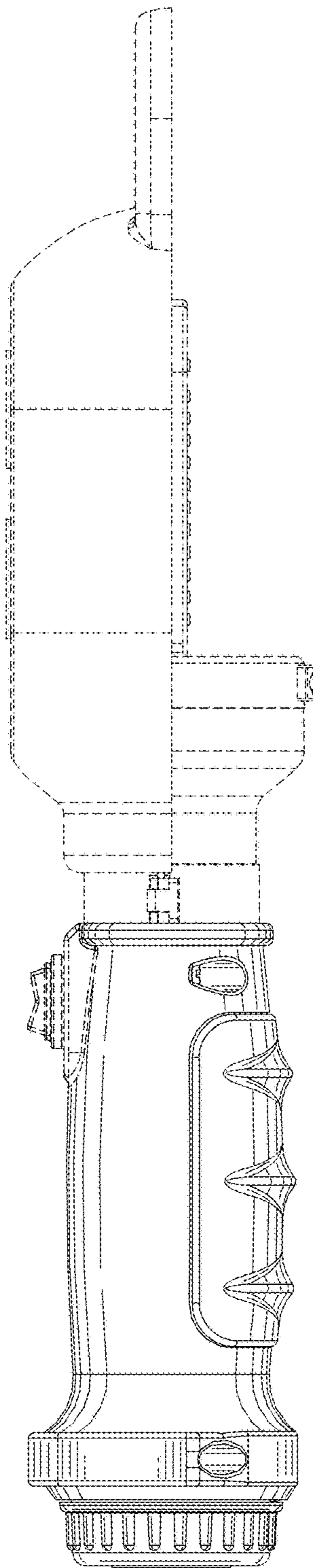


FIG. 5

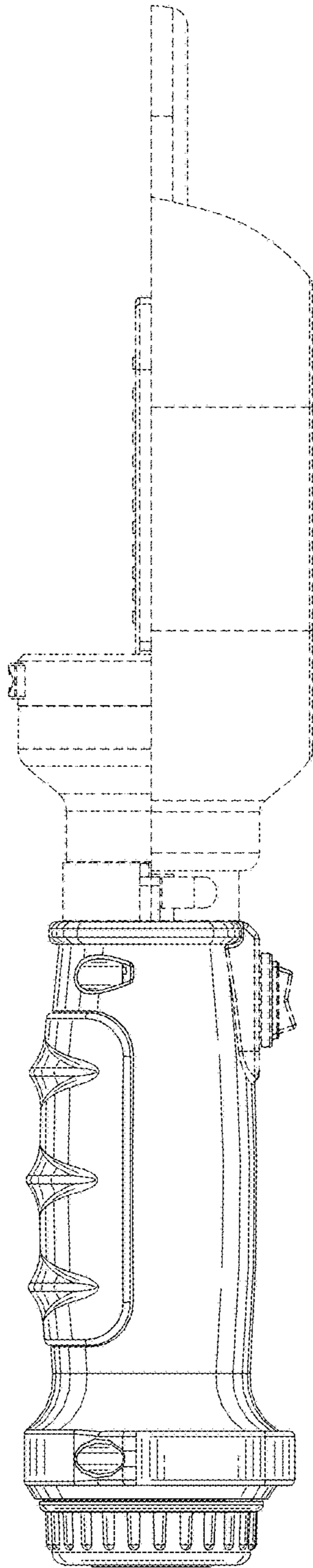


FIG. 6

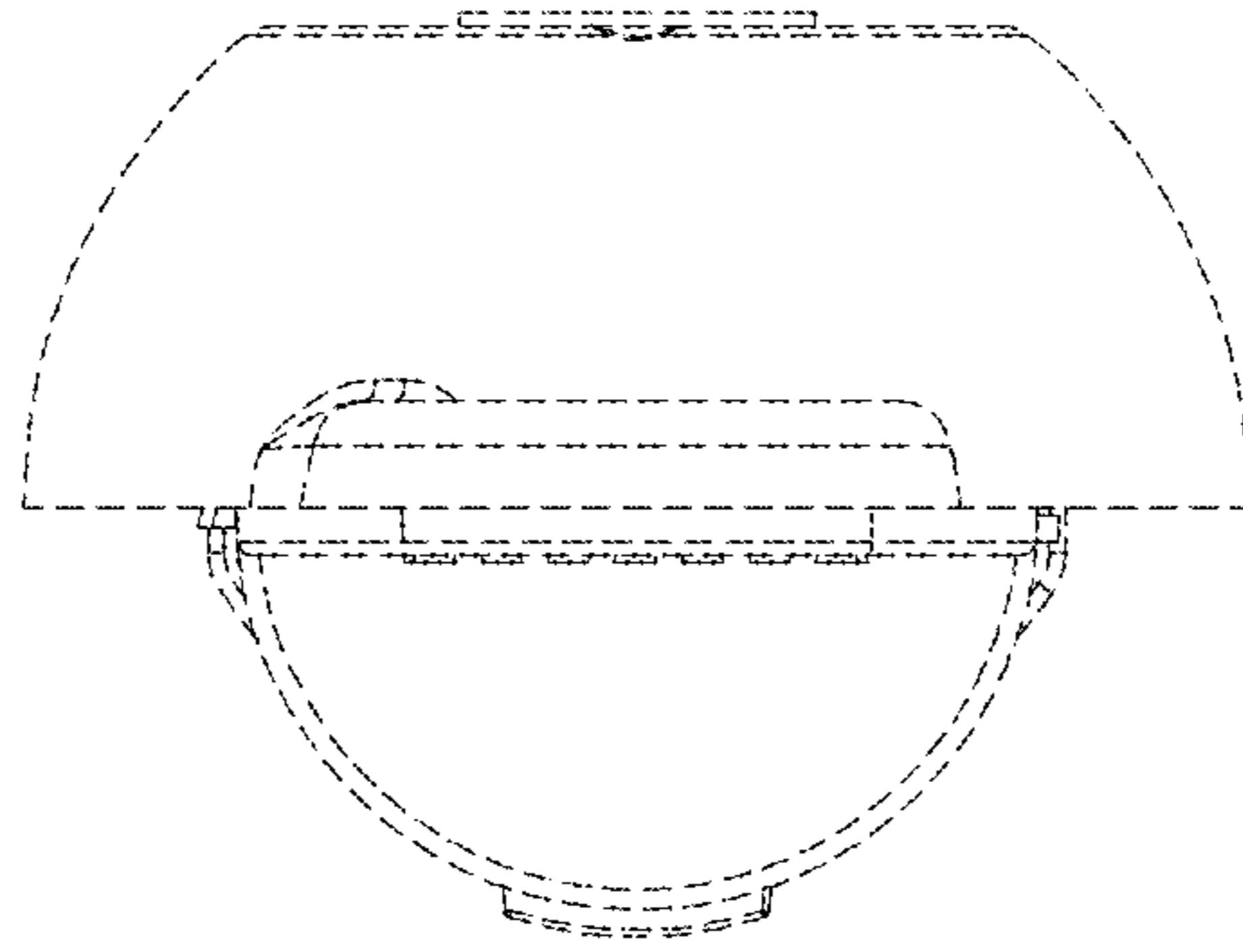


FIG. 7

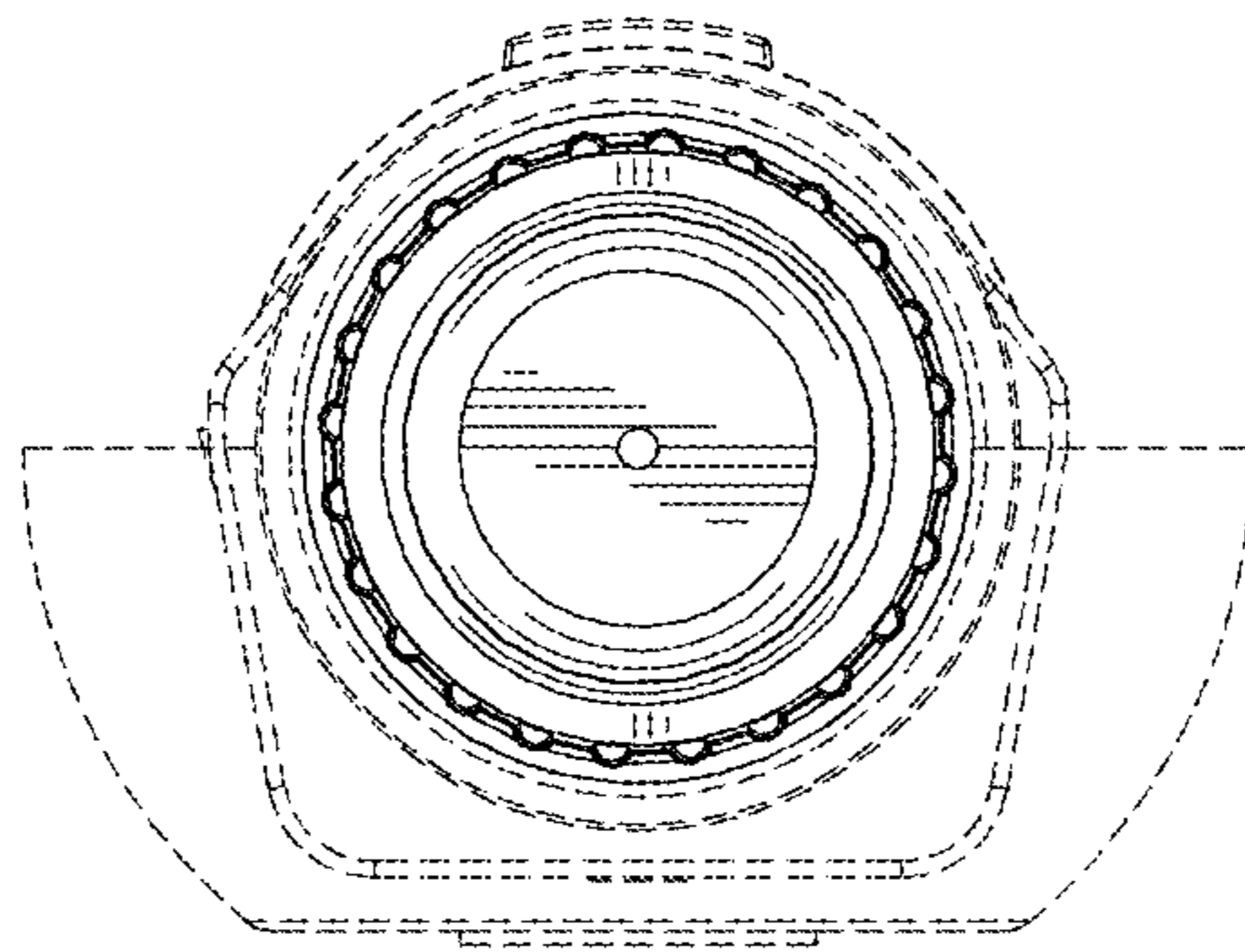


FIG. 8