



US00D831248S

(12) **United States Design Patent**  
**Kuhls**

(10) **Patent No.:** **US D831,248 S**  
(45) **Date of Patent:** **\*\* Oct. 16, 2018**

(54) **HAND LAMP**

(71) Applicant: **Festool GmbH**, Wendlingen (DE)

(72) Inventor: **Timo Kuhls**, Stuttgart (DE)

(73) Assignee: **FESTOOL GMBH**, Wendlingen (DE)

(\*\*) Term: **15 Years**

(21) Appl. No.: **29/591,467**

(22) Filed: **Jan. 20, 2017**

(30) **Foreign Application Priority Data**

Jul. 20, 2016 (WO) ..... 968209401

(51) **LOC (11) Cl.** ..... **26-02**

(52) **U.S. Cl.**  
USPC ..... **D26/37**

(58) **Field of Classification Search**

USPC ..... D26/37, 38, 42, 44, 46, 51, 63  
CPC ..... F21L 2003/00; F21L 4/00; F21L 4/005;  
F21L 4/02; F21L 4/025; F21L 4/027;  
F21L 4/04; F21L 4/08; F21L 2005/00;  
F21L 7/00; F21L 11/00; F21L 13/00;  
F21L 13/04; F21L 13/08; F21L 14/02;  
F21L 17/00

See application file for complete search history.

(56) **References Cited**

**U.S. PATENT DOCUMENTS**

D602,186 S \* 10/2009 Lee ..... D26/37  
D637,749 S \* 5/2011 Bayat ..... D26/49

D639,465 S \* 6/2011 Abernethy ..... D26/24  
D668,382 S \* 10/2012 Schieffelin ..... D26/142  
D672,894 S \* 12/2012 Bayat ..... D26/42  
D694,446 S \* 11/2013 Zhou ..... D26/42  
D731,687 S \* 6/2015 Haws ..... D26/46  
D732,215 S \* 6/2015 Su ..... D26/37  
D743,594 S \* 11/2015 Scazziga ..... D26/37  
D787,728 S \* 5/2017 Wing ..... D26/37  
D791,379 S \* 7/2017 Koshiba ..... D26/37  
D794,236 S \* 8/2017 Kovacik ..... D26/42

\* cited by examiner

*Primary Examiner* — Brandon M Rosati

*Assistant Examiner* — Carissa C Fitts

(74) *Attorney, Agent, or Firm* — Hoffmann & Baron, LLP

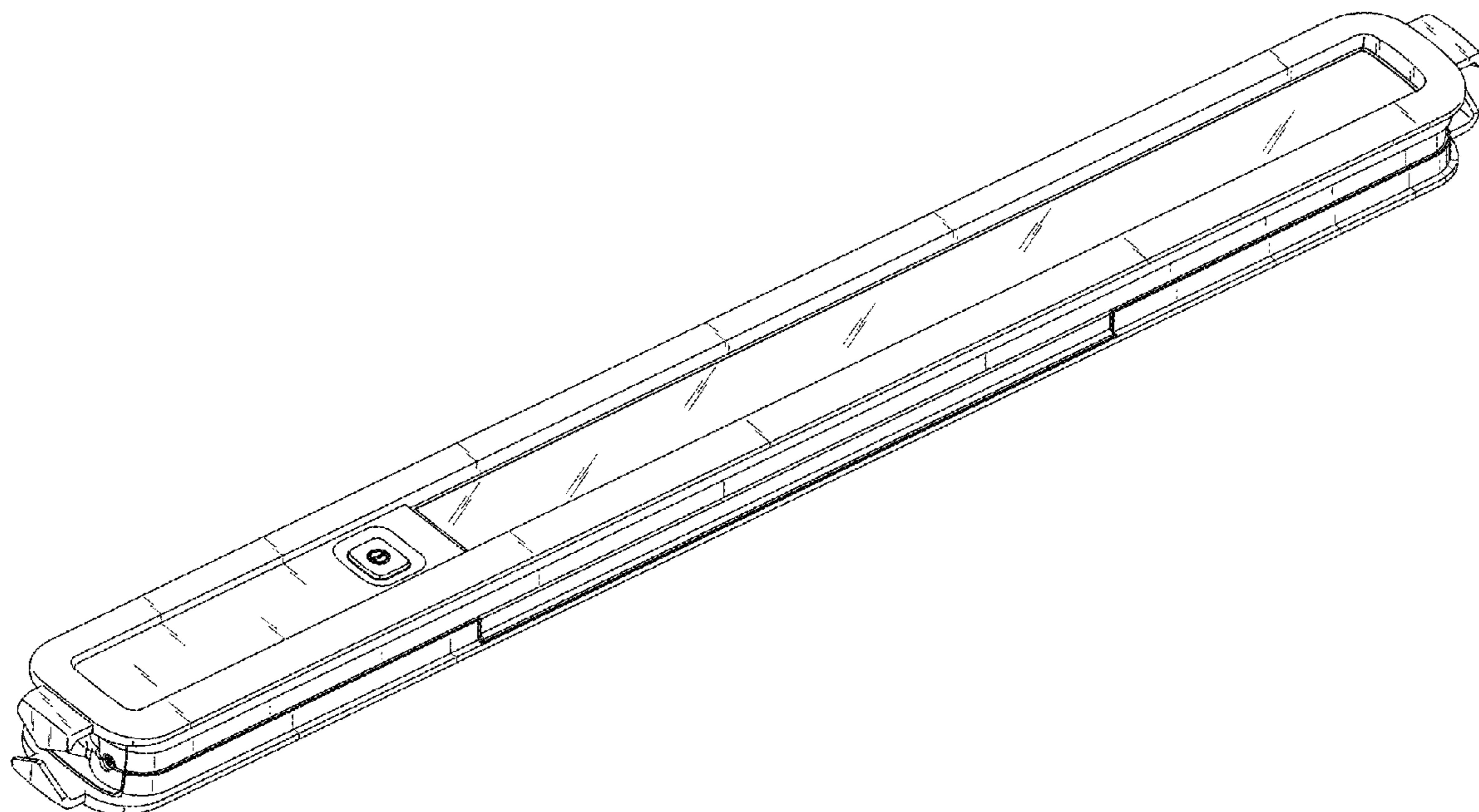
(57) **CLAIM**

The ornamental design for a hand lamp, as shown and described.

**DESCRIPTION**

FIG. 1 is a top perspective view of a hand lamp showing my new design;  
FIG. 2 is a top plan view thereof;  
FIG. 3 is a bottom view thereof;  
FIG. 4 is a right side view thereof;  
FIG. 5 is a left side view thereof;  
FIG. 6 is a front view thereof, shown in a larger scale; and,  
FIG. 7 is a back view thereof, shown in a larger scale.  
The broken lines show portions of the article not claimed and form no part of the claimed design.

**1 Claim, 6 Drawing Sheets**



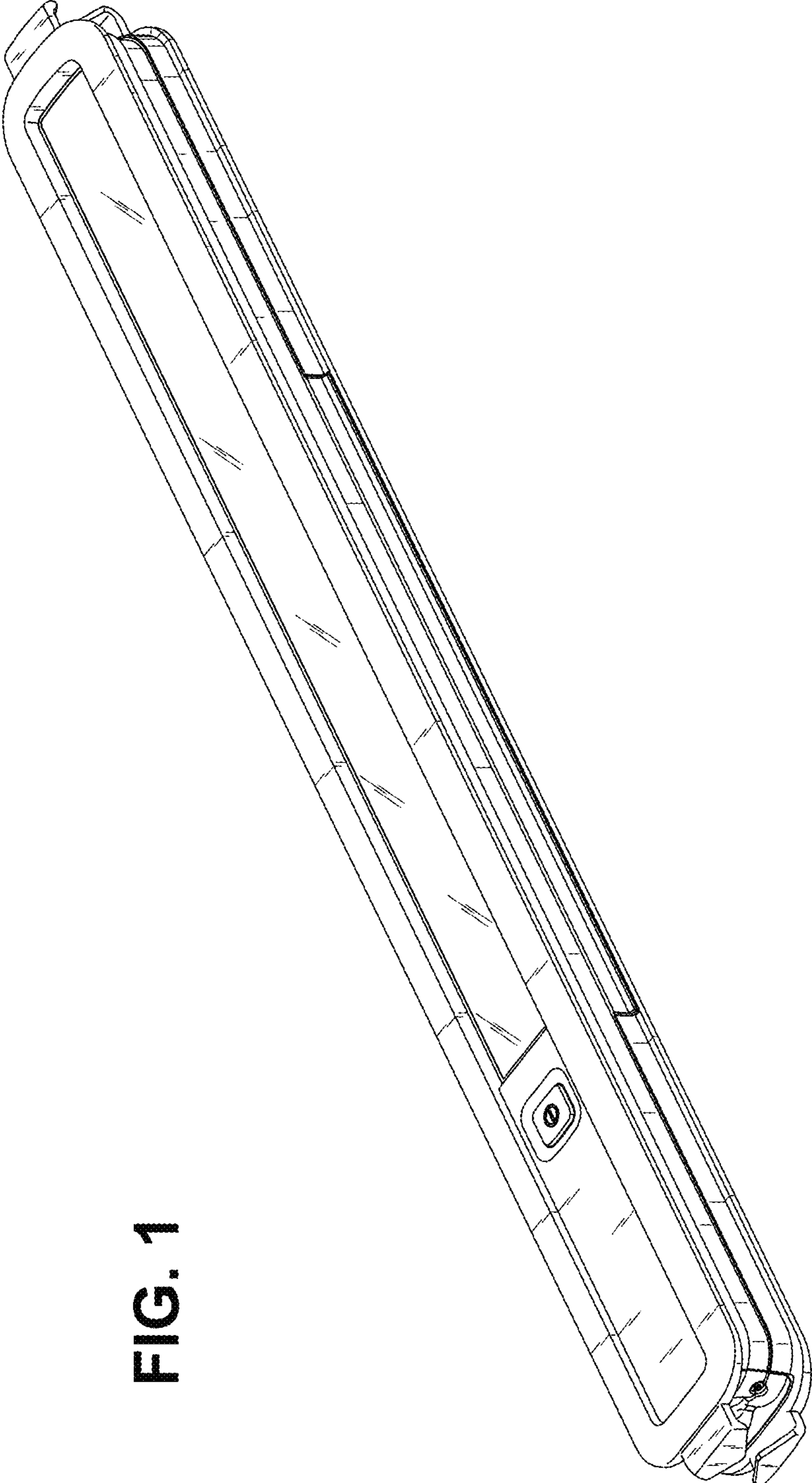


FIG. 1

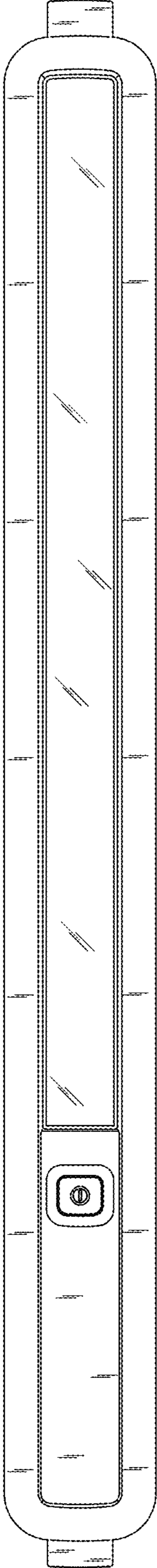


FIG. 2

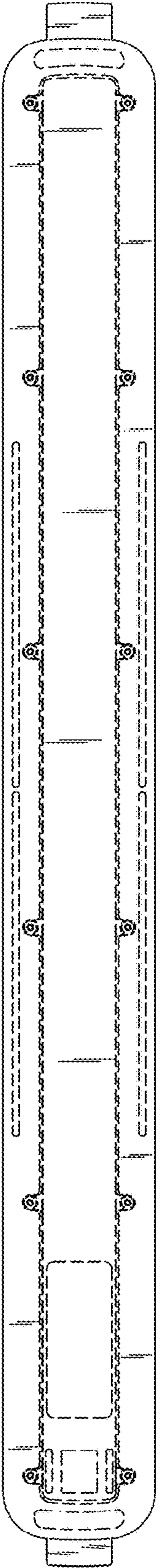
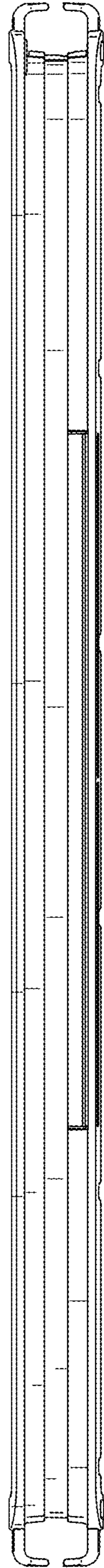


FIG. 3



**FIG. 4**

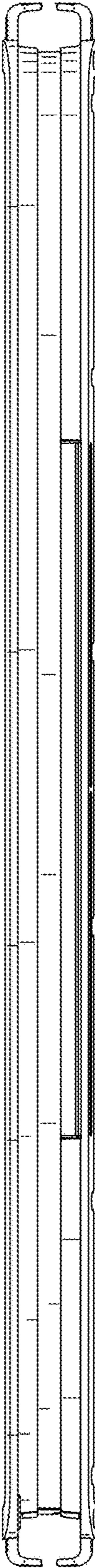
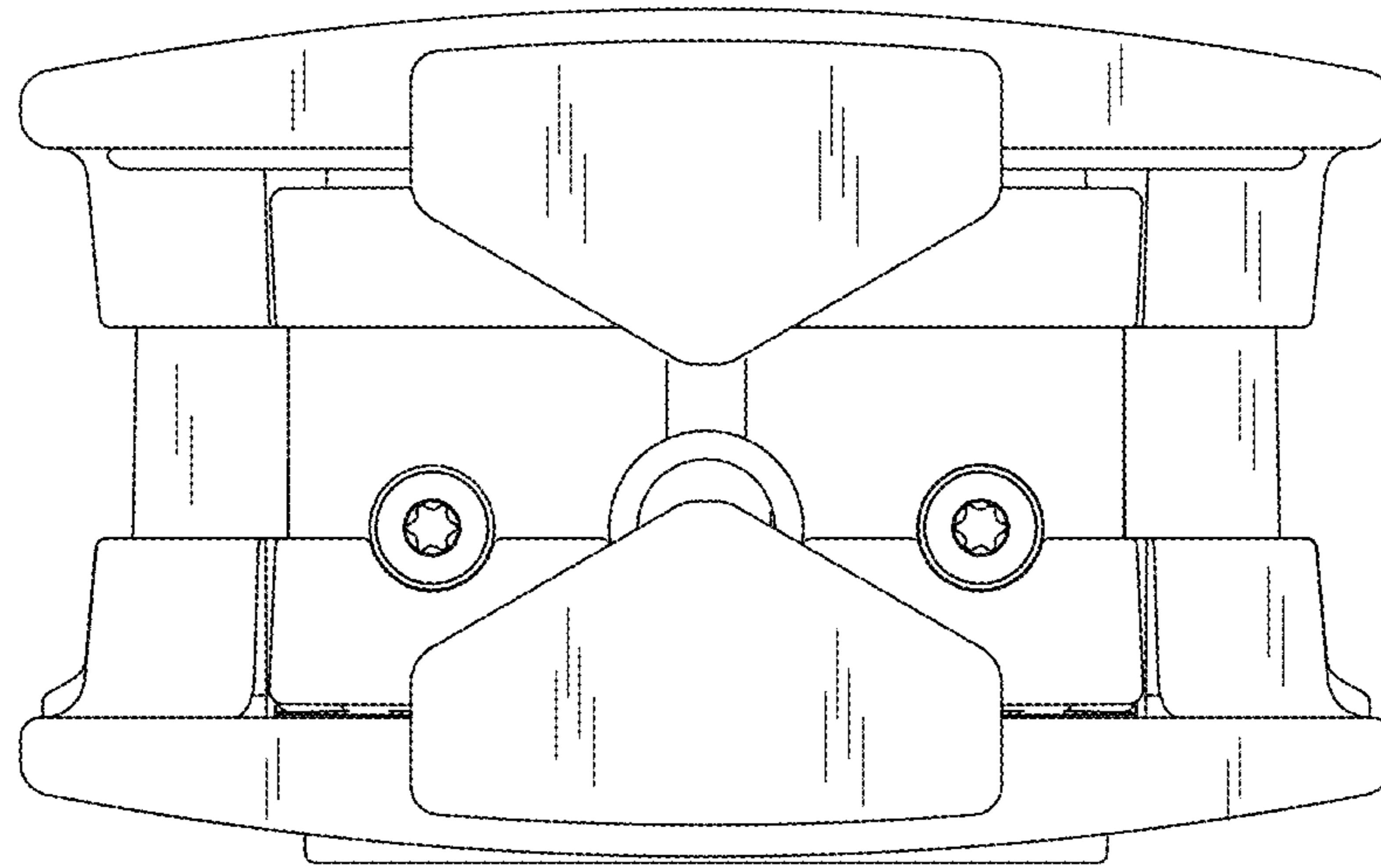


FIG. 5

**FIG. 6**



**FIG. 7**

