



US00D831244S

(12) **United States Design Patent**
Lai

(10) **Patent No.:** **US D831,244 S**

(45) **Date of Patent:** **** Oct. 16, 2018**

(54) **BIKE TAIL LIGHT**

(71) Applicant: **Chunyan Lai**, Sichuan (CN)

(72) Inventor: **Chunyan Lai**, Sichuan (CN)

(**) Term: **15 Years**

(21) Appl. No.: **29/588,450**

(22) Filed: **Dec. 20, 2016**

(51) **LOC (11) Cl.** **26-06**

(52) **U.S. Cl.**
USPC **D26/28**

(58) **Field of Classification Search**
USPC D26/28-36; 362/80-83, 267-269,
362/459-468, 475-478, 485-487
CPC F21S 48/00; F21S 48/10; F21S 48/115;
F21S 48/225; F21S 48/1233; F21S
48/1266; F21S 48/1388; F21S 48/2268;
F21V 21/04
See application file for complete search history.

(56) **References Cited**

U.S. PATENT DOCUMENTS

D540,481 S * 4/2007 Okuda D26/28
D541,447 S * 4/2007 Ueda D26/28

D560,833 S * 1/2008 Ueda D26/28
D560,834 S * 1/2008 Nagano D26/28
D605,790 S * 12/2009 Hsing-Tsun D26/28
D629,538 S * 12/2010 Nagano D26/28
D678,563 S * 3/2013 Liao D26/28

* cited by examiner

Primary Examiner — Marcus Jackson

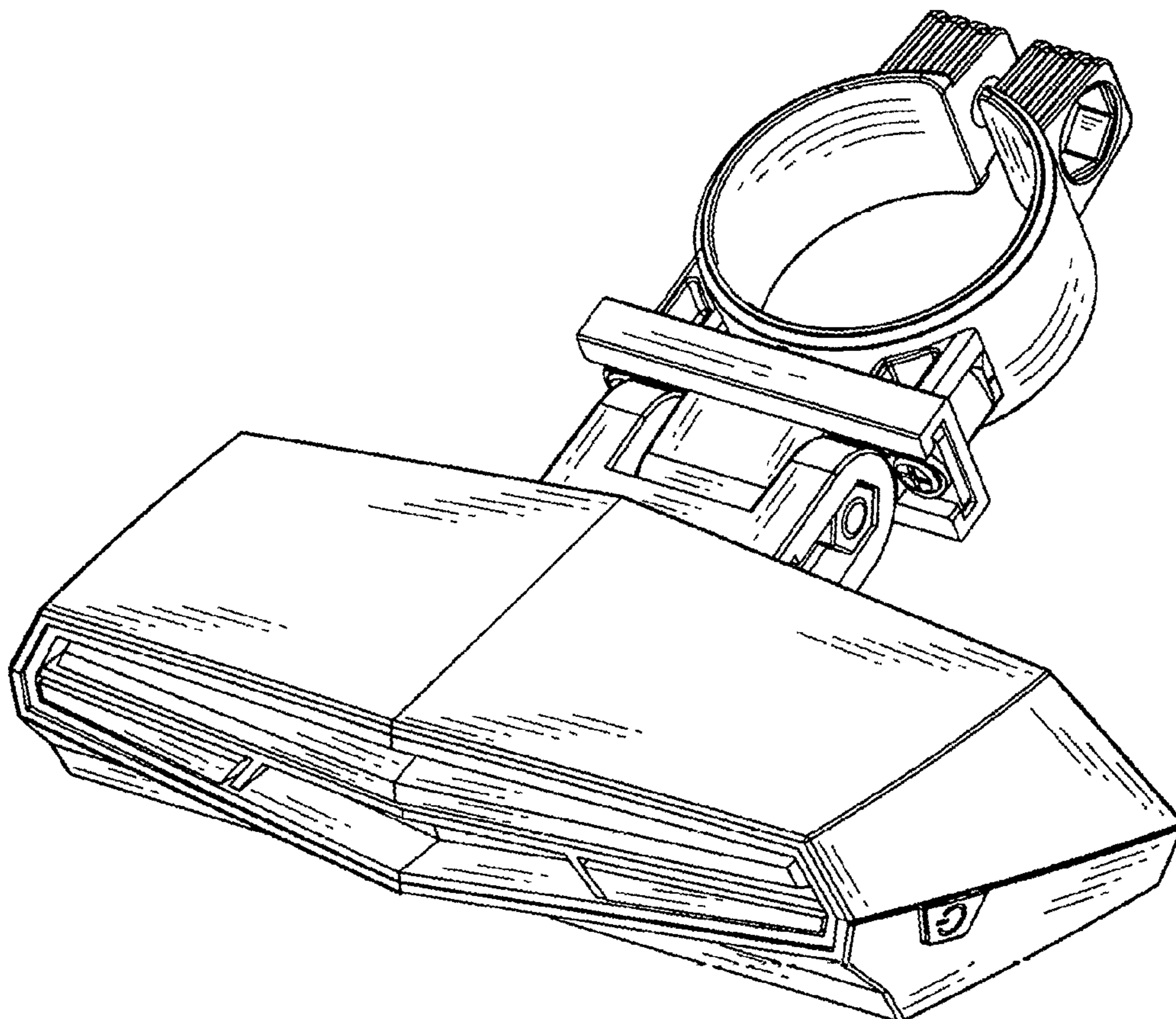
(57) **CLAIM**

The ornamental design for bike tail light, as shown and described.

DESCRIPTION

FIG. 1 is a front view thereof;
FIG. 2 is a back plan view thereof;
FIG. 3 is a left plan view thereof;
FIG. 4 is a right plan view thereof;
FIG. 5 is a top view thereof;
FIG. 6 is a bottom plan view thereof; and,
FIG. 7 is a perspective plan view thereof.

1 Claim, 7 Drawing Sheets



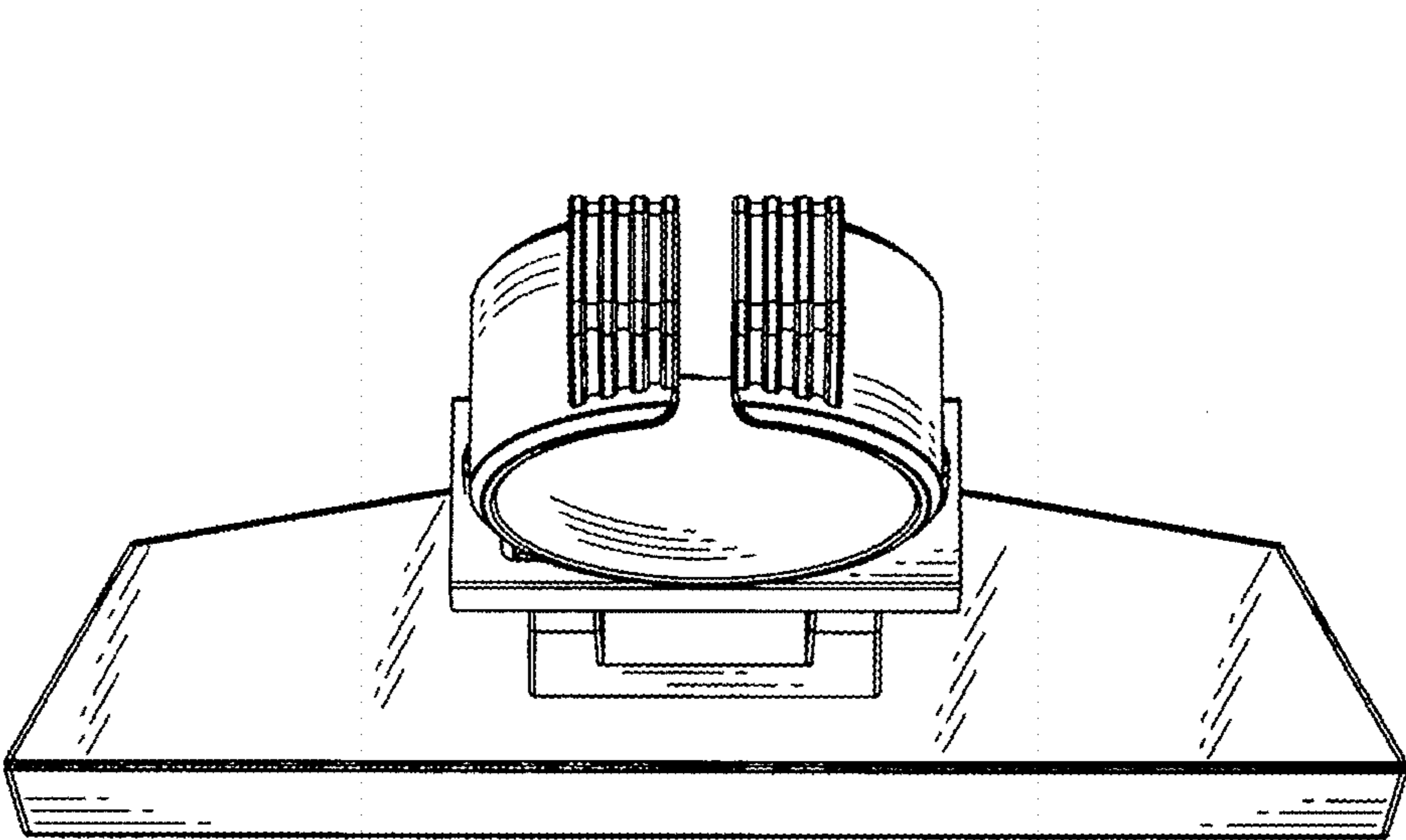


Fig. 1

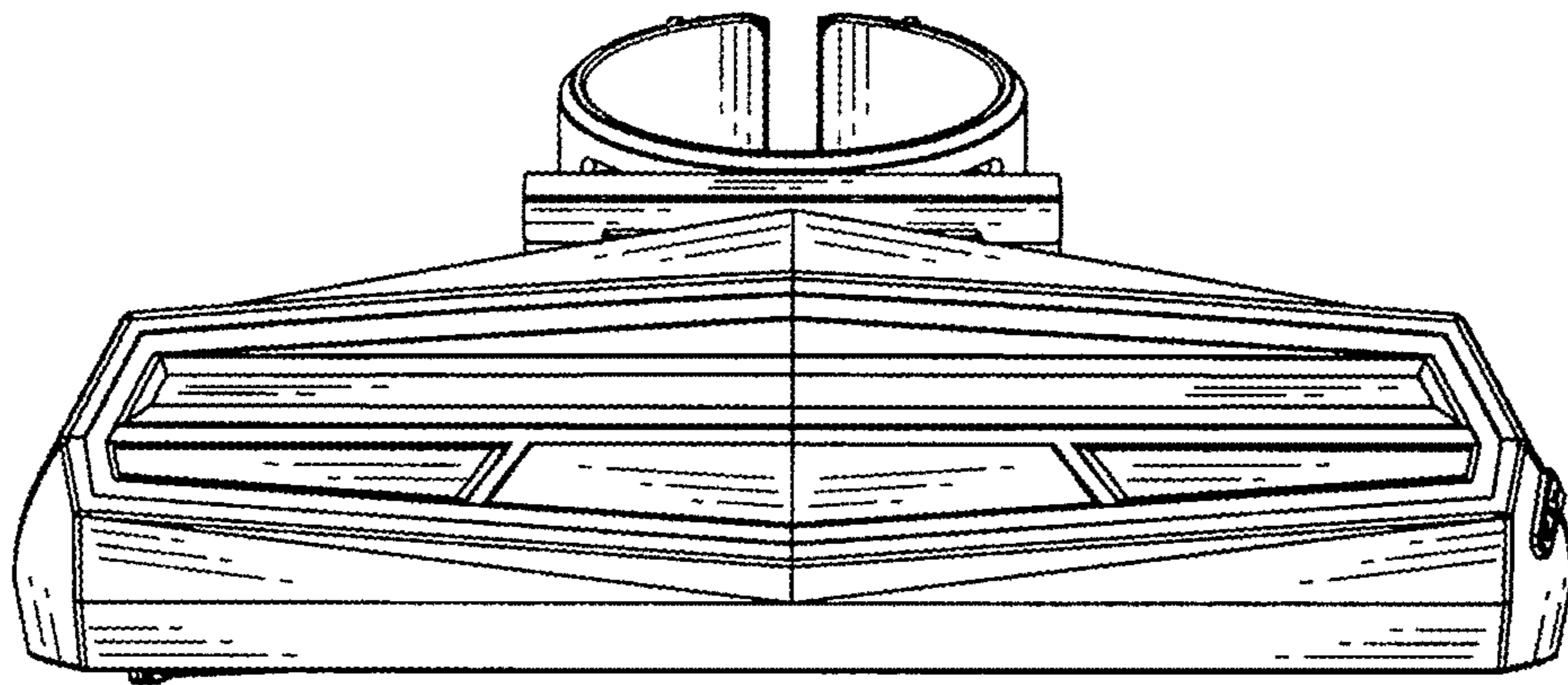


Fig. 2

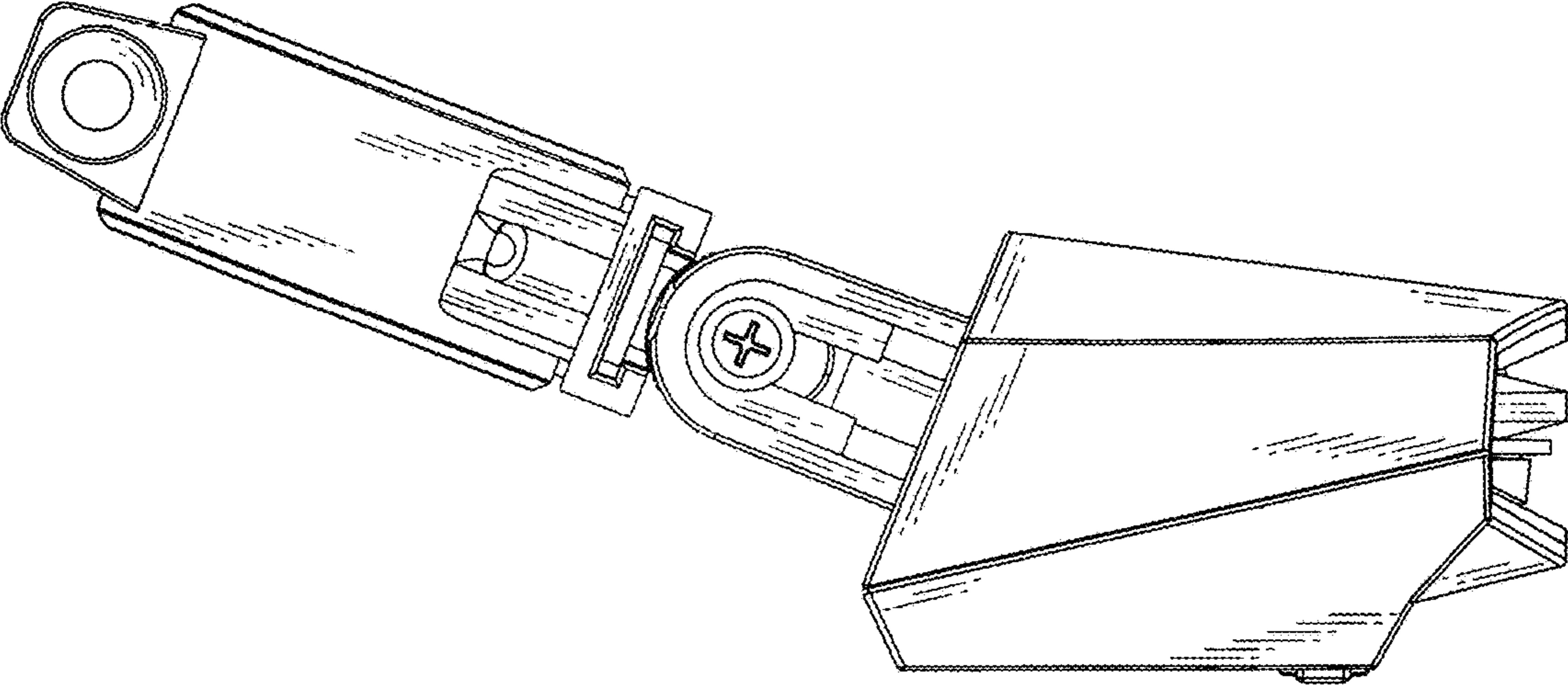


Fig. 3

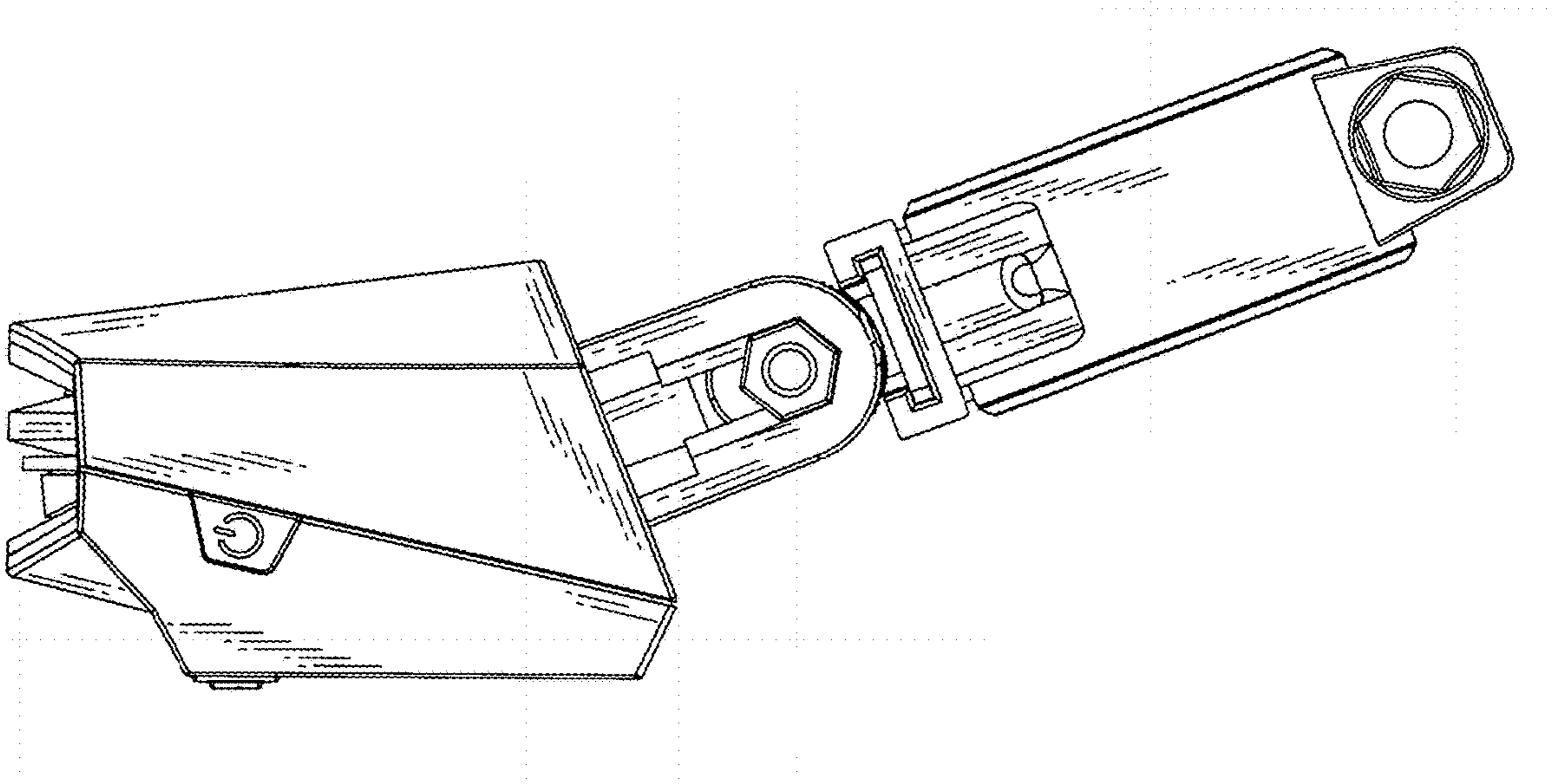


FIG.4

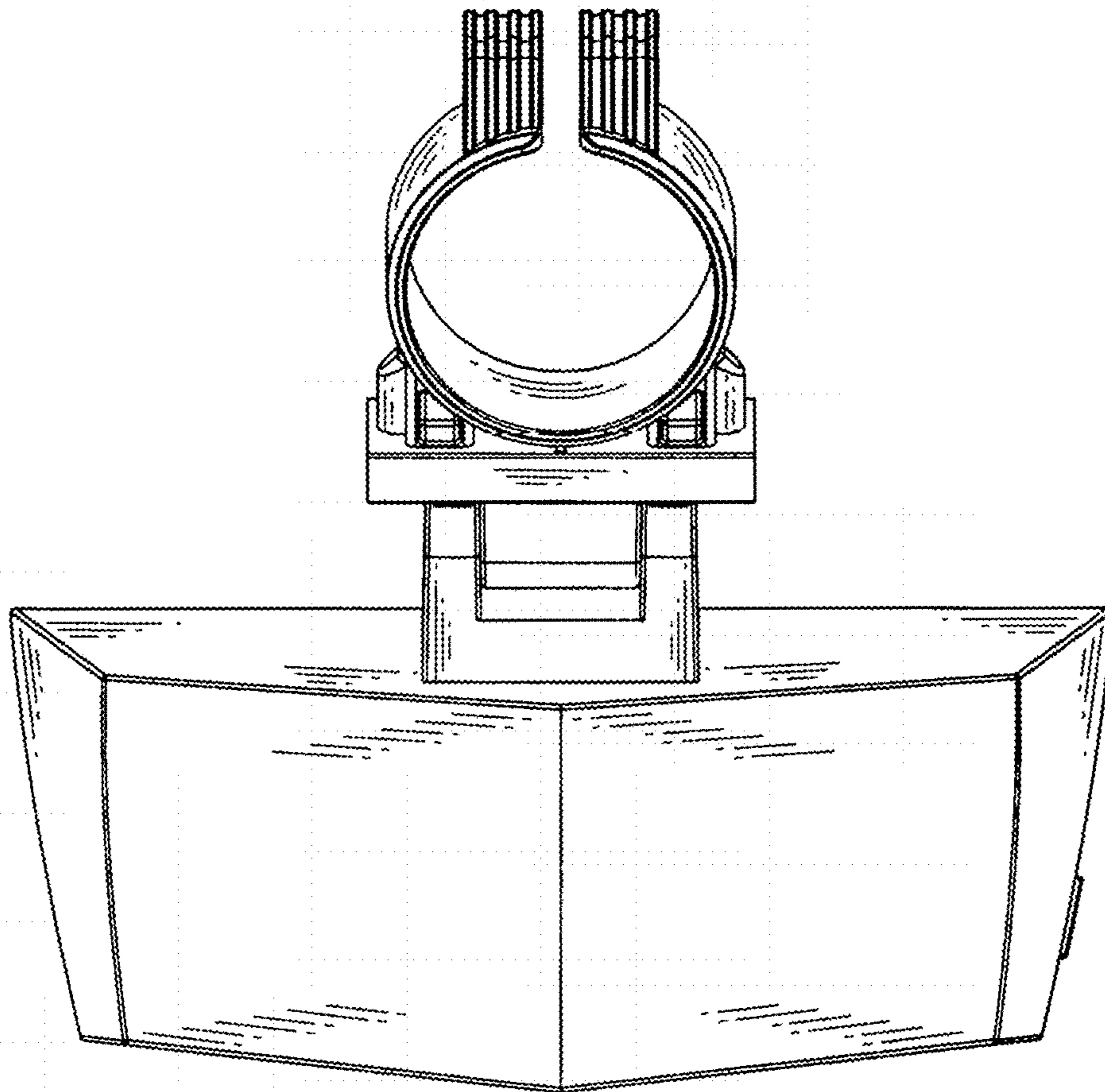


Fig. 5

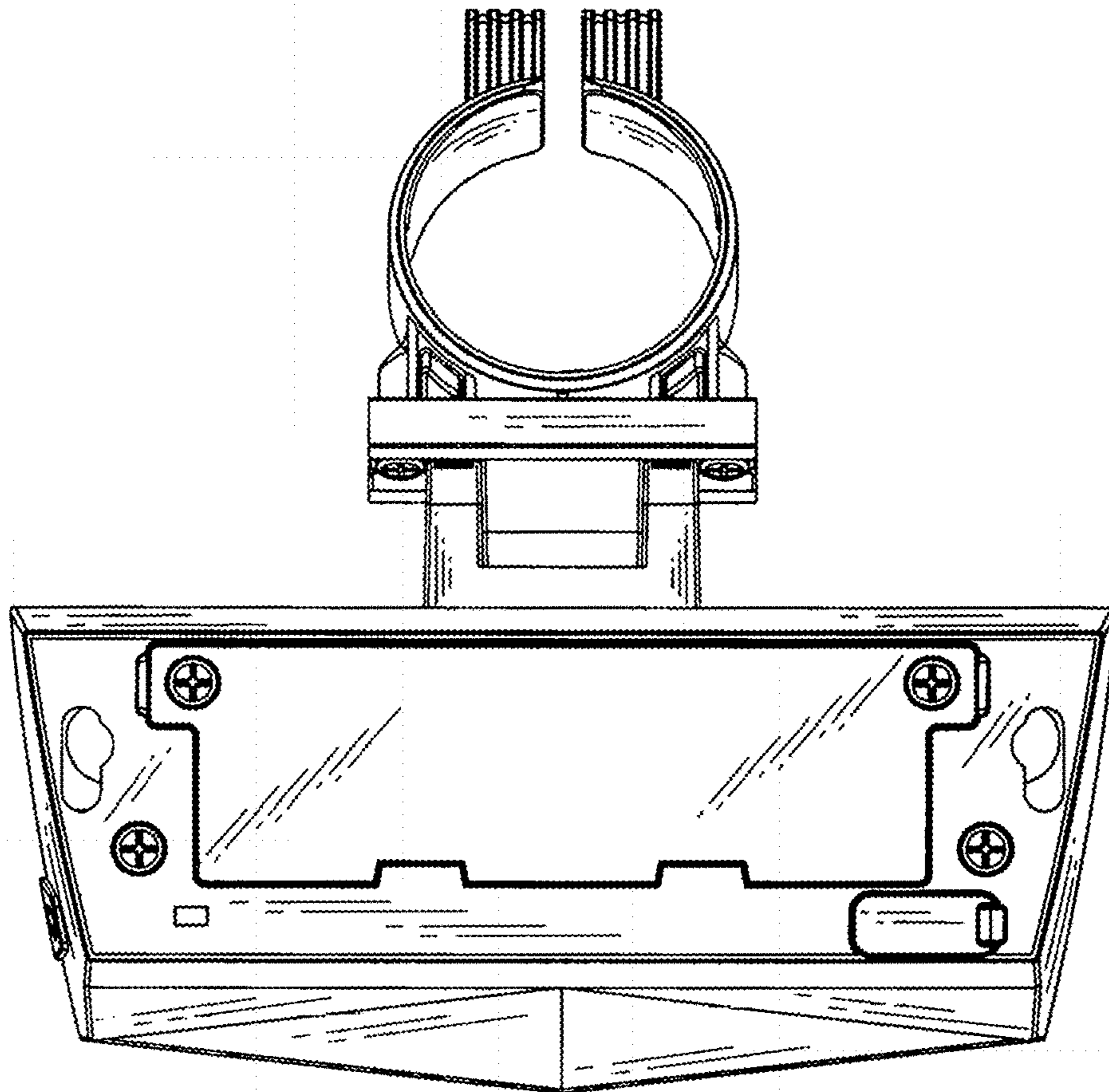


Fig. 6

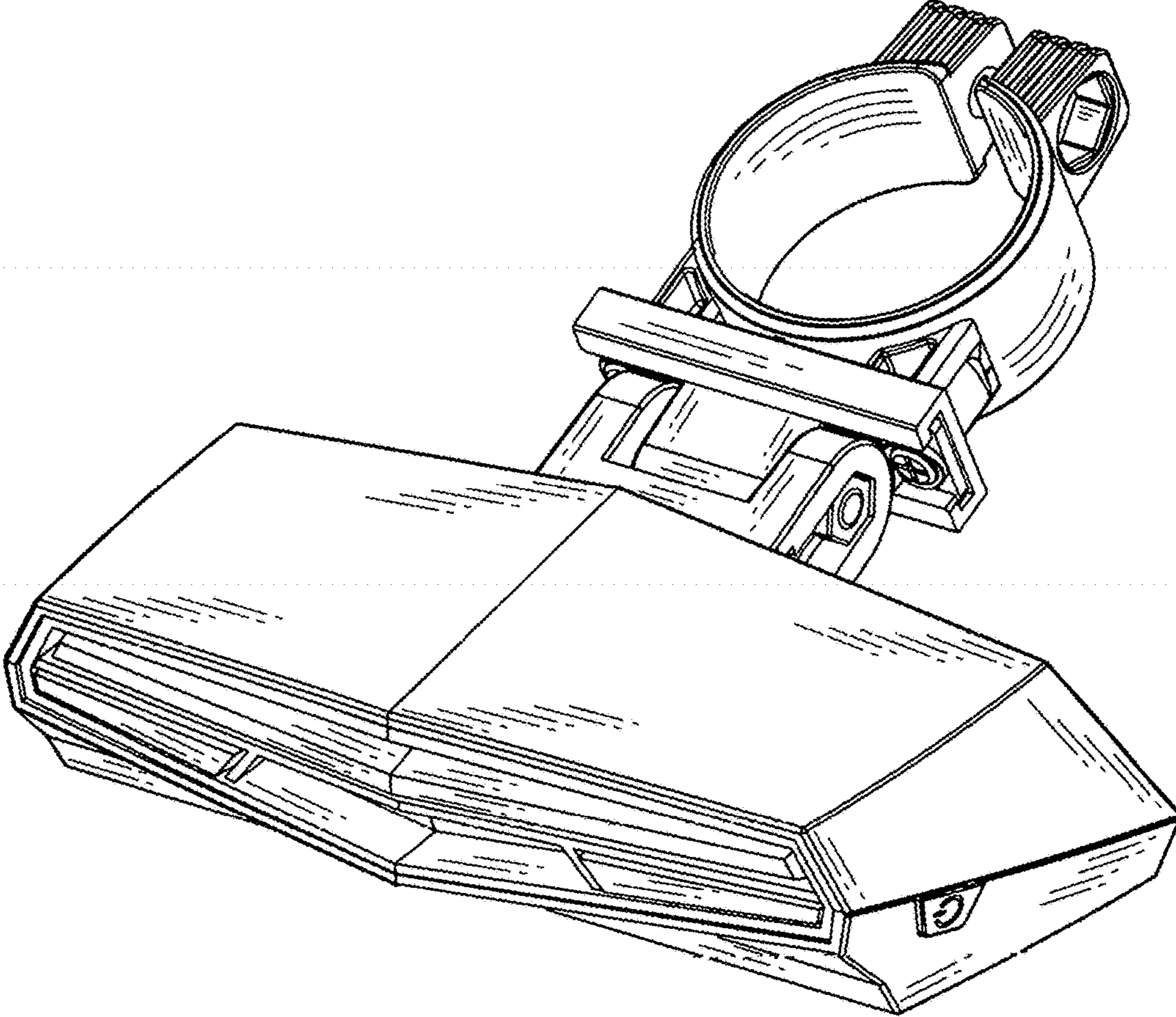


Fig. 7