

US00D831243S

(12) **United States Design Patent** (10) **Patent No.:** **US D831,243 S**  
**Shields et al.** (45) **Date of Patent:** **\*\* Oct. 16, 2018**

(54) **FOLDABLE, FLEXIBLE, PORTABLE, SHADOW-REDUCING LIGHT-EMITTING DEVICE**

D736,424 S \* 8/2015 Palfreyman ..... D26/1  
D736,963 S \* 8/2015 Palfreyman ..... D26/1  
D762,887 S \* 8/2016 Hawkins ..... D26/24

\* cited by examiner

(71) Applicant: **2C PRODUCTS, LLC**, Port Orange, FL (US)

*Primary Examiner* — Zenia I Bennett

(72) Inventors: **Thomas John Shields**, Port Orange, FL (US); **Tristan Mullane**, Port Orange, FL (US)

(74) *Attorney, Agent, or Firm* — Lori J. Sandman, Esq.

(\*\*) Term: **15 Years**

(57) **CLAIM**

The ornamental design for a foldable, flexible, portable shadow-reducing light-emitting device, as shown and described.

(21) Appl. No.: **35/001,097**

**DESCRIPTION**

(22) Filed: **Oct. 16, 2015**

1. Foldable, flexible, portable, shadow-reducing light-emitting device

(80) **Hague Agreement Data**

Int. Filing Date: **Oct. 16, 2015**

1.1: Perspective

Int. Reg. No.: **DM/091268**

1.2: Front

Int. Reg. Date: **Oct. 16, 2015**

1.3: Back

Int. Reg. Pub. Date: **Jul. 8, 2016**

1.4: Top

1.5: Bottom

(51) **LOC (11) Cl.** ..... **26-01**

1.6: Left

1.7: Right

(52) **U.S. Cl.**

USPC ..... **D26/24**

1.8: Device in a folded configuration

1.9: Device being folded

(58) **Field of Classification Search**

USPC ..... D26/1, 24, 25; D6/603

CPC .... F21S 4/00; F21S 4/002; F21S 4/003; F21S 4/005; F21S 4/006

See application file for complete search history.

A foldable, flexible, portable, shadow-reducing light emitting device is disclosed; it comprises a flexible fabric enclosing light strips in distinct arrays optimized for shadow reduction, and folds up and can be clasped for secure portability; it further comprises one power chord; light strips are positioned within clear, water and weather resistant chambers, and semi-rigid padding is positioned between said light strips; The broken lines in FIGS. 1.1 to 1.3 represent stitching or seams.

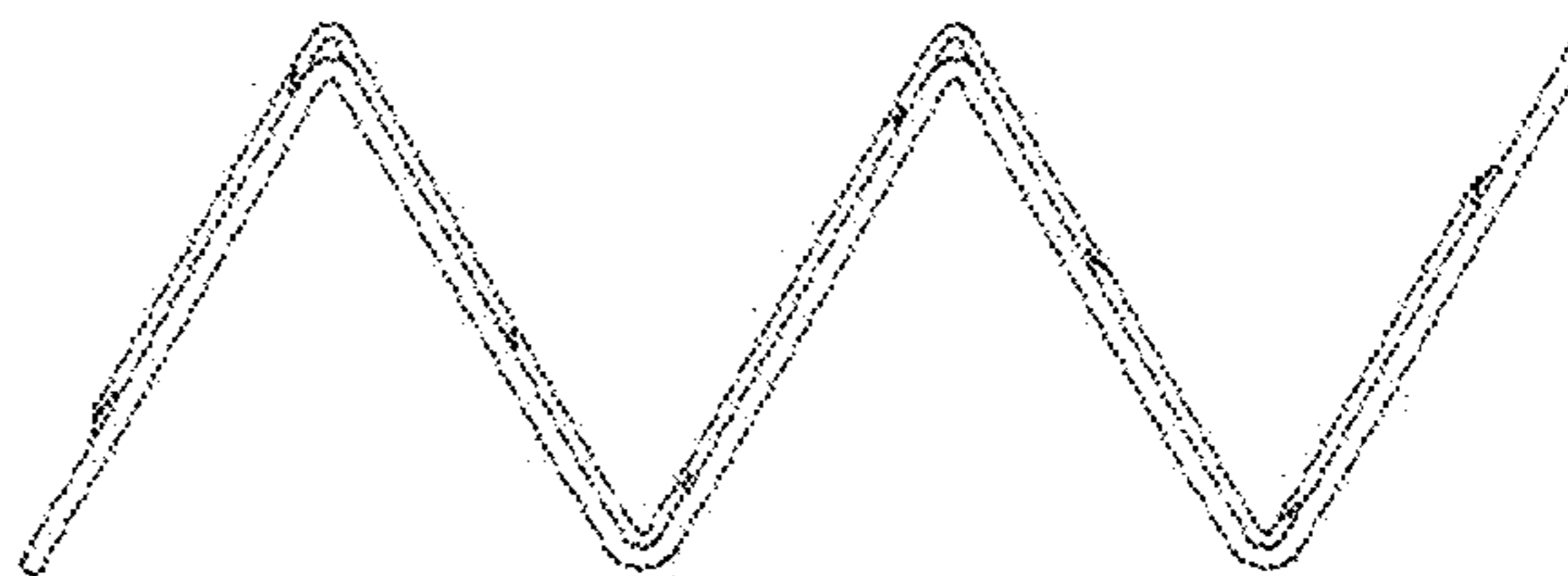
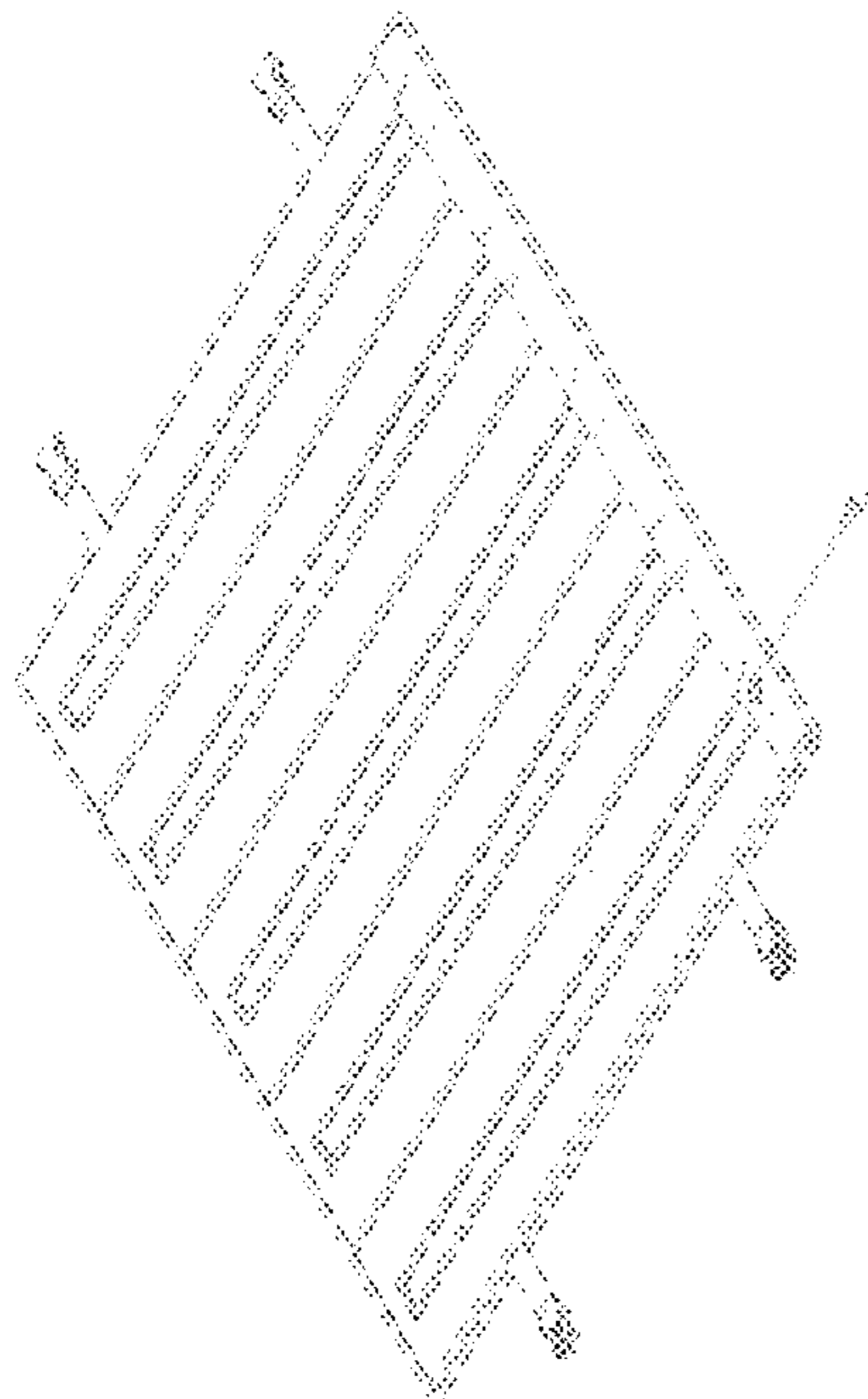
(56) **References Cited**

**U.S. PATENT DOCUMENTS**

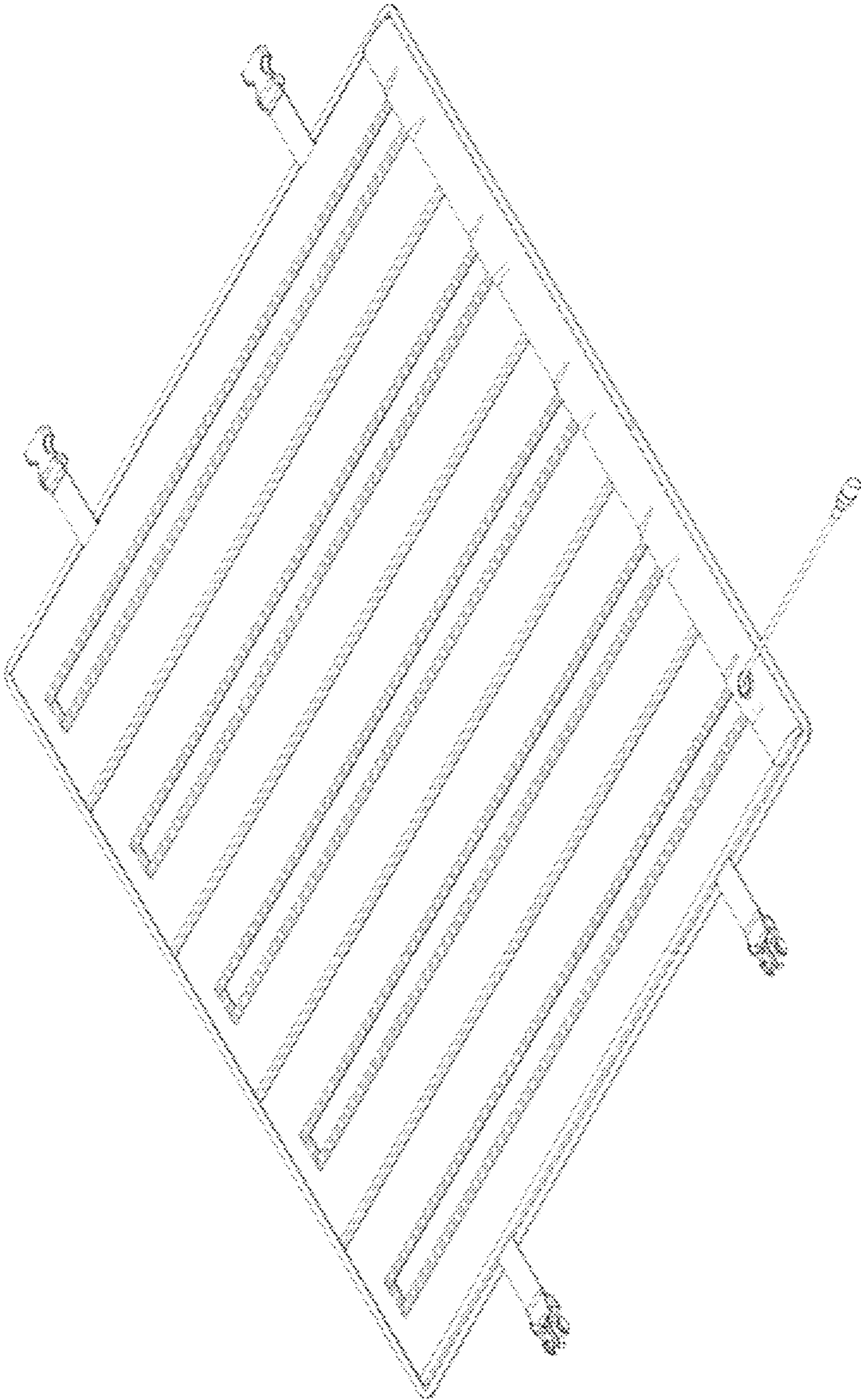
D614,780 S \* 4/2010 Huang ..... D26/1

D668,808 S \* 10/2012 Hoover ..... D26/60

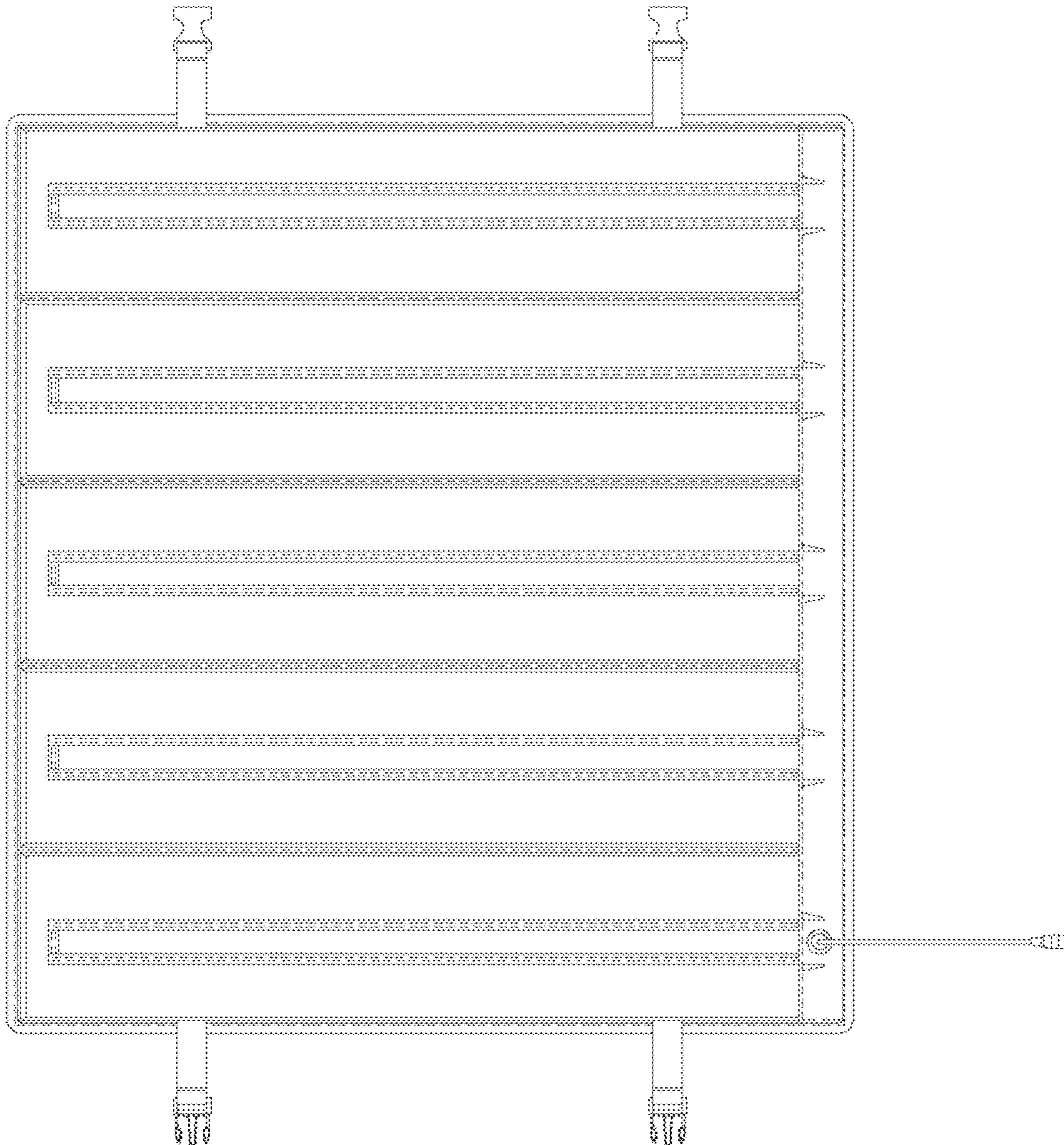
**1 Claim, 9 Drawing Sheets**



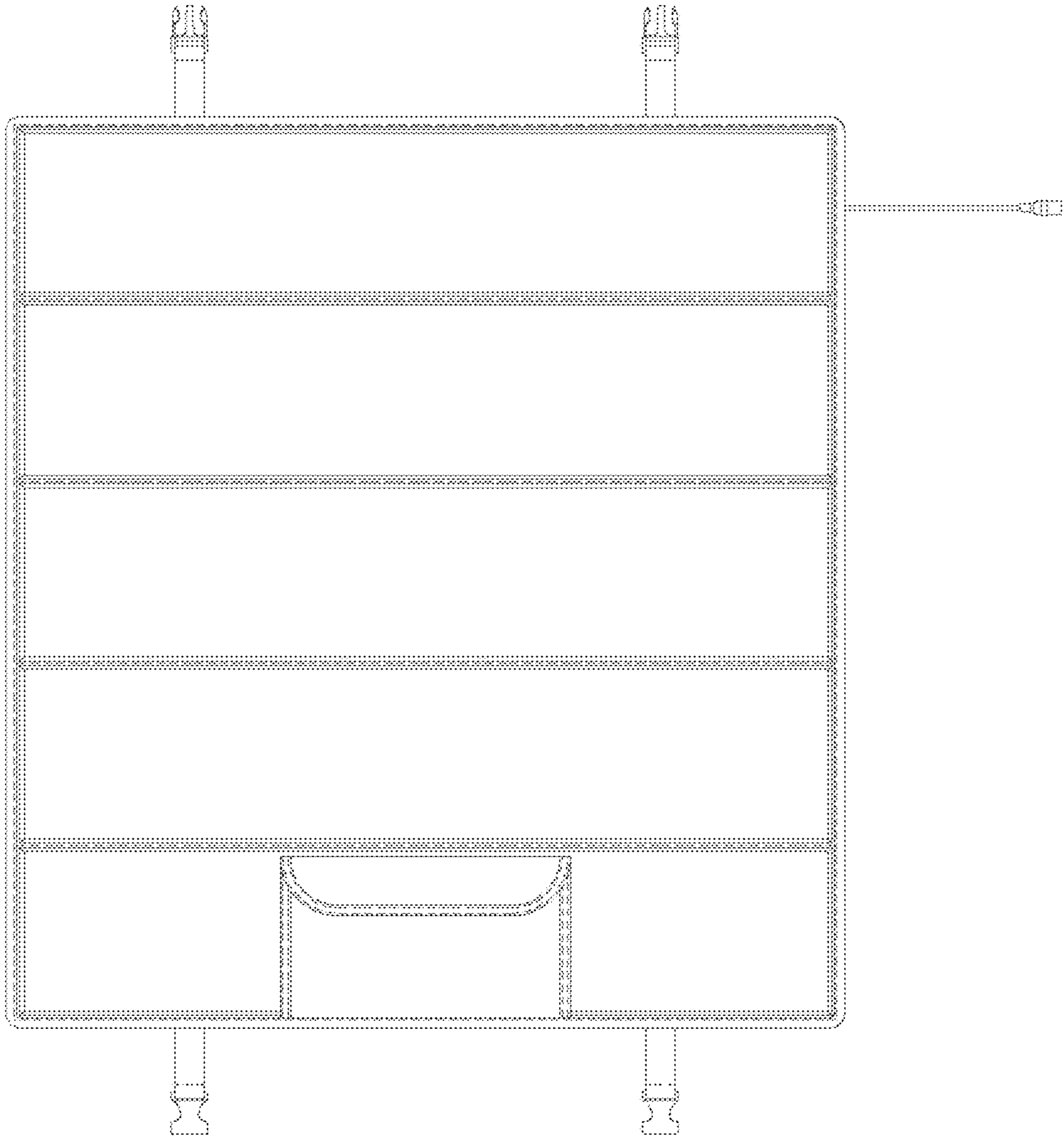
1.1



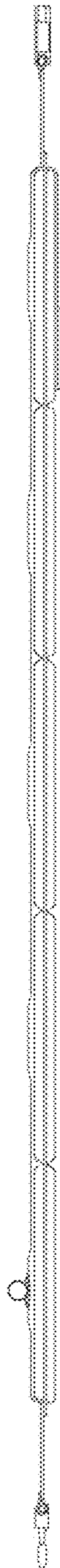
1.2



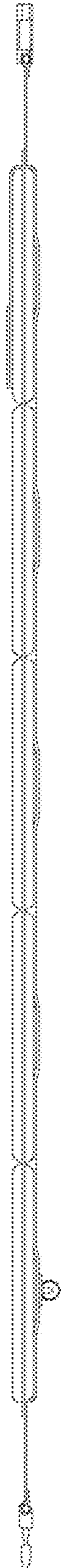
1.3



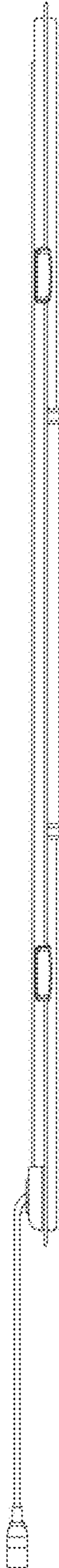
1.4



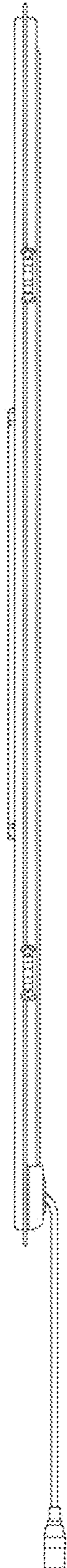
1.5



**1.6**

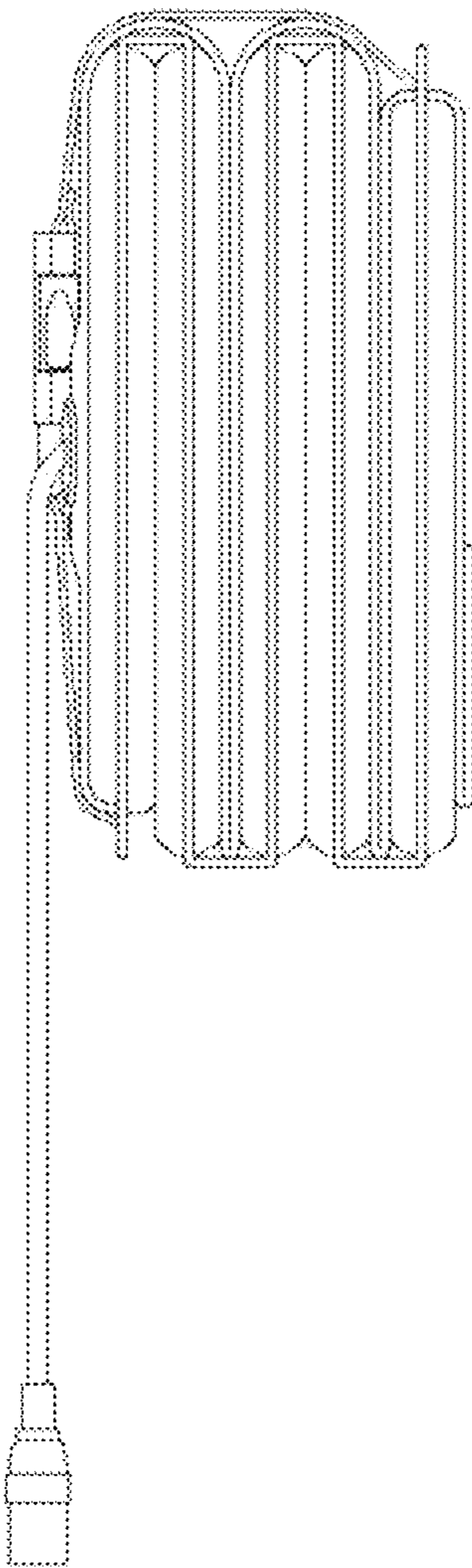


1.7





**1.8**



1.9

