



US00D831242S

(12) **United States Design Patent**
Trimarchi et al.

(10) **Patent No.:** **US D831,242 S**
(45) **Date of Patent:** **** Oct. 16, 2018**

- (54) **CANDLE HOLDER**
- (71) Applicant: **Forma Fantasma**, Amsterdam (NL)
- (72) Inventors: **Andrea Trimarchi**, Amsterdam (NL);
Simone Farresin, Amsterdam (NL)
- (73) Assignee: **Forma Fantasma**, Amsterdam (NL)
- (**) Term: **15 Years**
- (21) Appl. No.: **29/571,856**
- (22) Filed: **Jul. 22, 2016**
- (51) **LOC (11) Cl.** **26-01**
- (52) **U.S. Cl.**
USPC **D26/9**
- (58) **Field of Classification Search**
USPC D26/6-23, 93-115; D6/303, 313, 314,
D6/519, 537, 556, 567, 692.3; D11/131,
D11/131.1, 141, 143, 144, 164; D9/504,
D9/529, 544, 545, 549
CPC .. F21S 6/00; F21S 13/00; F21V 35/00; F21W
2121/00; A47G 33/02
See application file for complete search history.

- D584,431 S * 1/2009 Meise D26/11
- D717,566 S * 11/2014 Nelson D6/556
- D790,871 S * 7/2017 Rivera D6/403
- 2009/0114789 A1* 5/2009 Newby A47G 7/044
248/318
- 2014/0347847 A1* 11/2014 Chung F21V 21/02
362/147

* cited by examiner

Primary Examiner — Thomas Johannes
Assistant Examiner — Keith Frank
(74) *Attorney, Agent, or Firm* — Timothy W. Menasco,
Esq.; Harter Secrest & Emery LLP

(57) **CLAIM**

The ornamental design of a candle holder, as shown and described.

DESCRIPTION

FIG. 1 is a front perspective view of a candle holder in accordance with the present invention; FIG. 2 is a right side elevation view thereof; FIG. 3 is a rear elevation view thereof; FIG. 4 is a left side elevation view thereof; FIG. 5 is a front elevation view thereof; FIG. 6 is a top plan view thereof; and, FIG. 7 is a bottom plan view thereof.

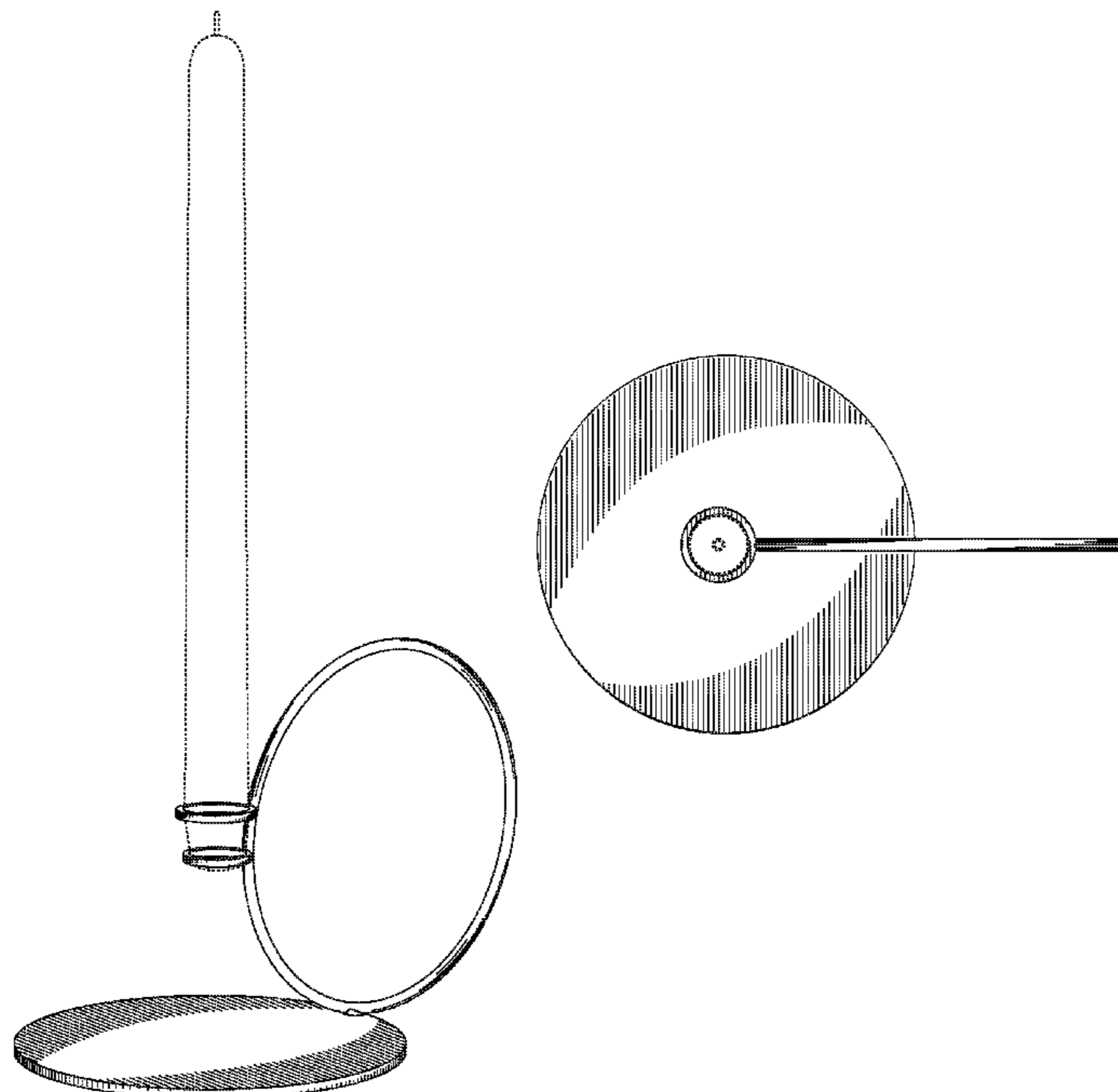
The broken lines showing on the lower base portion of the candle holder illustrate the portions of the candle holder that form no part of the claimed design. The broken lines showing silhouette of a candle in the drawing views represent environmental structure and form no part of the claimed design.

1 Claim, 6 Drawing Sheets

(56) **References Cited**

U.S. PATENT DOCUMENTS

- D83,134 S * 1/1931 Scott D6/403
- D91,641 S * 2/1934 Wittig D29/130
- D96,435 S * 7/1935 Weil 47/41.01
- D345,223 S * 3/1994 Annette D26/10
- 5,558,236 A * 9/1996 Williams A47G 19/08
211/133.6
- D396,309 S * 7/1998 Churchville D11/131
- D421,656 S * 3/2000 Batterman-Jordan D26/10
- D479,892 S * 9/2003 Baarman D26/107



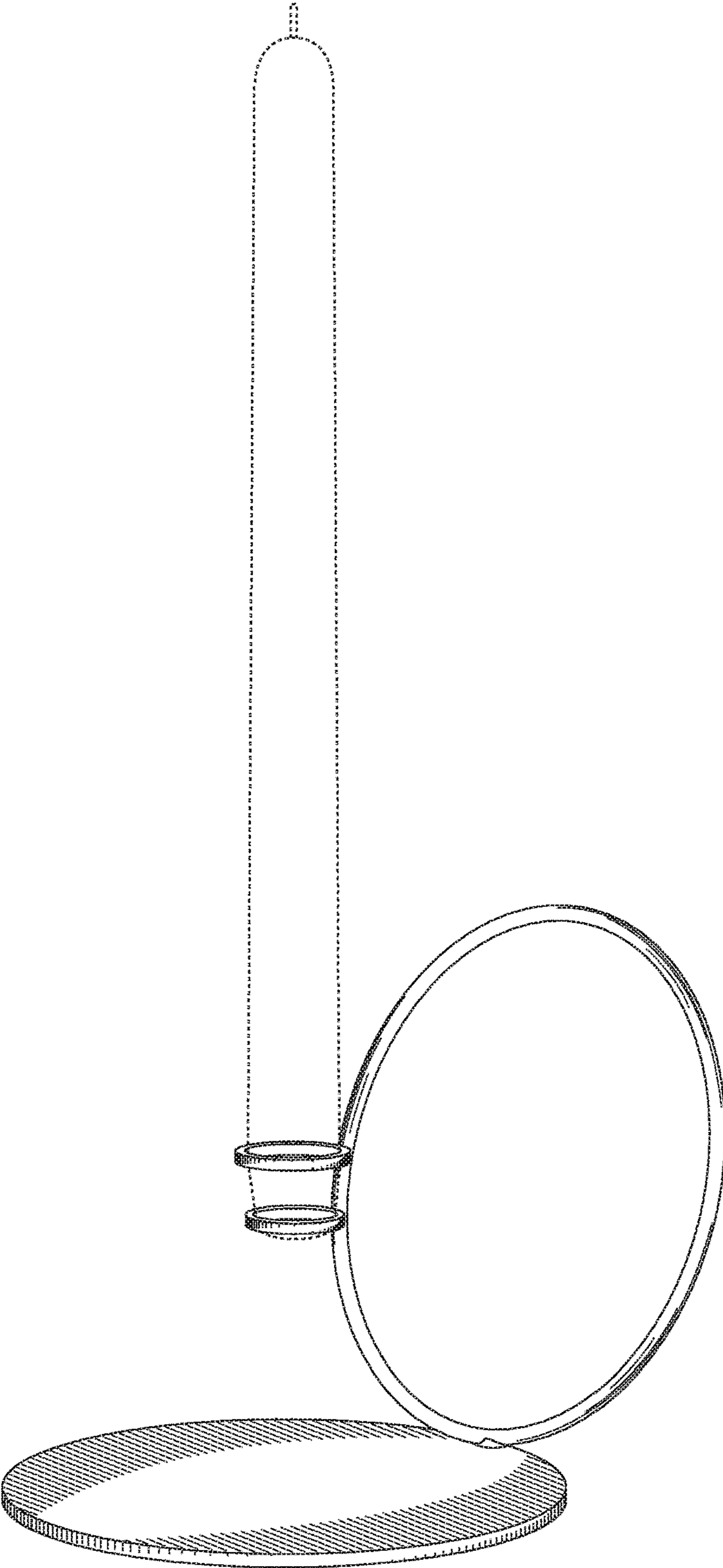


FIG. 1

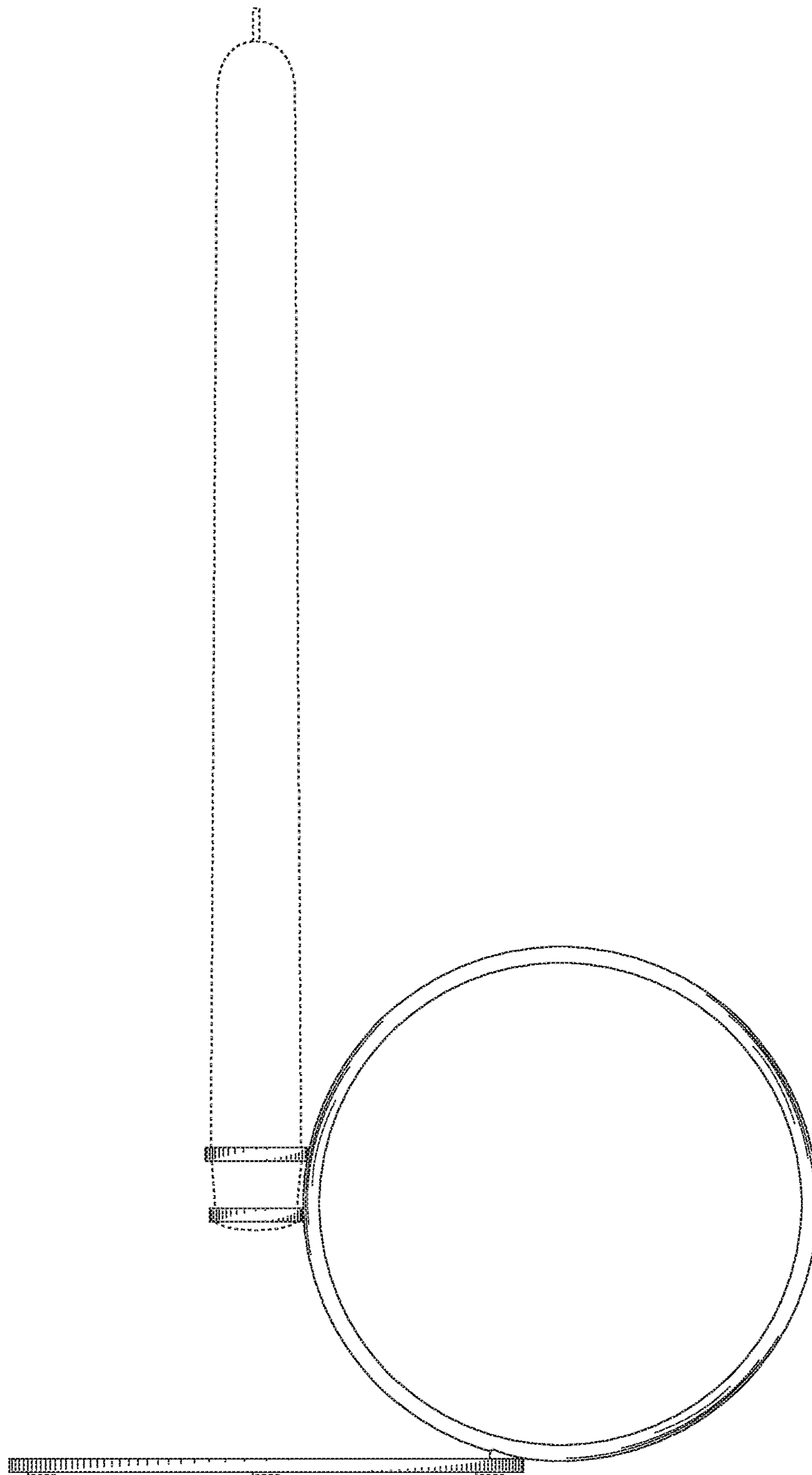


FIG. 2

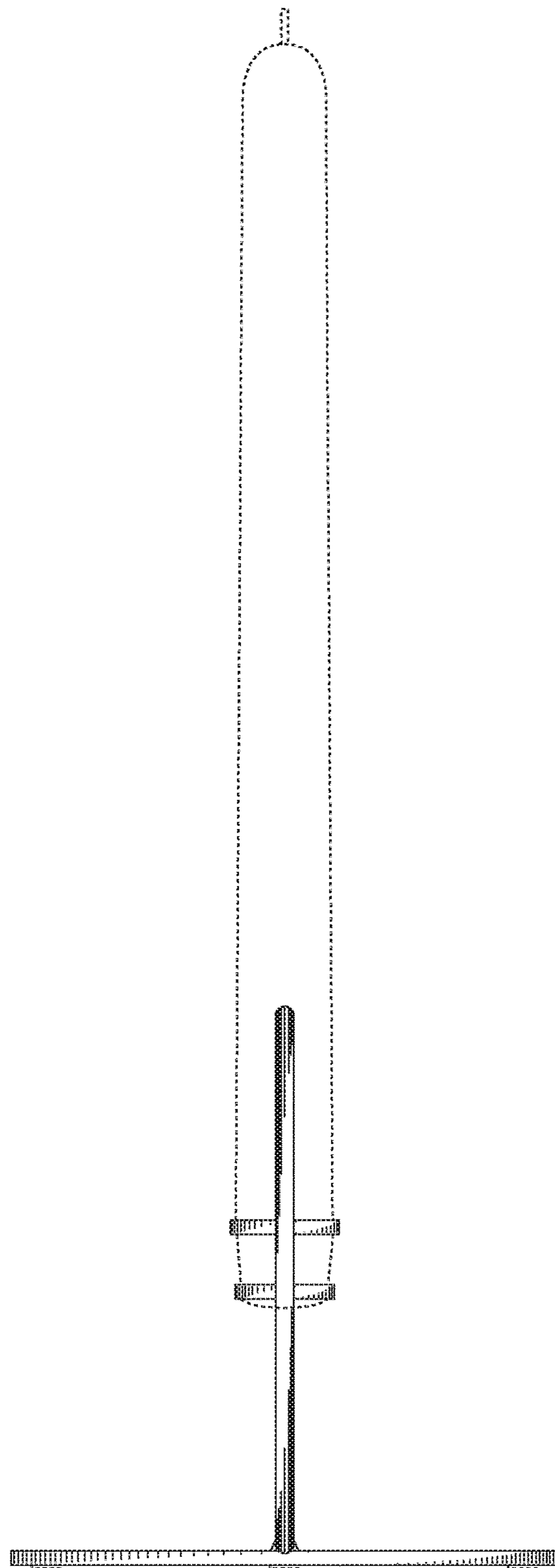


FIG. 3

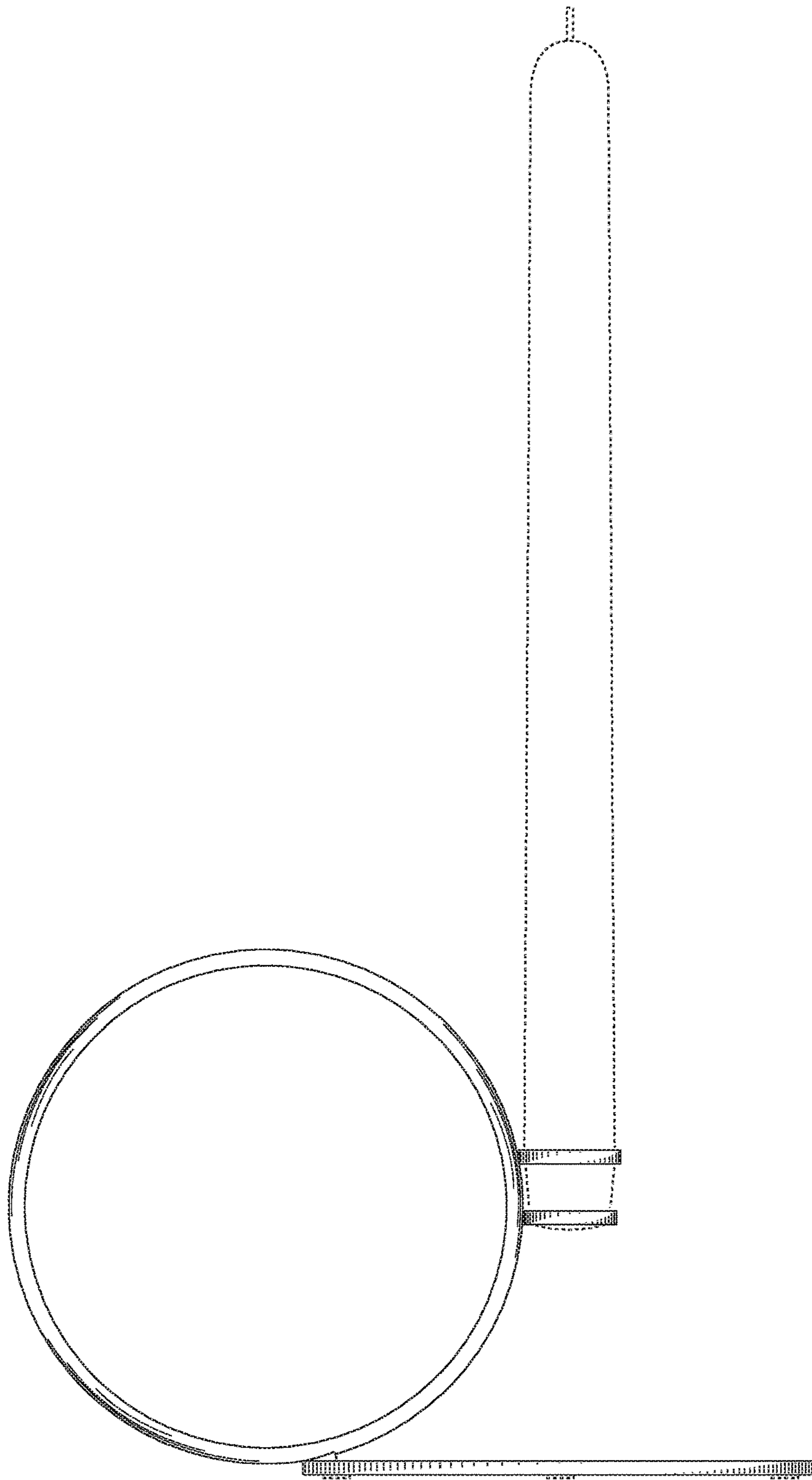


FIG. 4

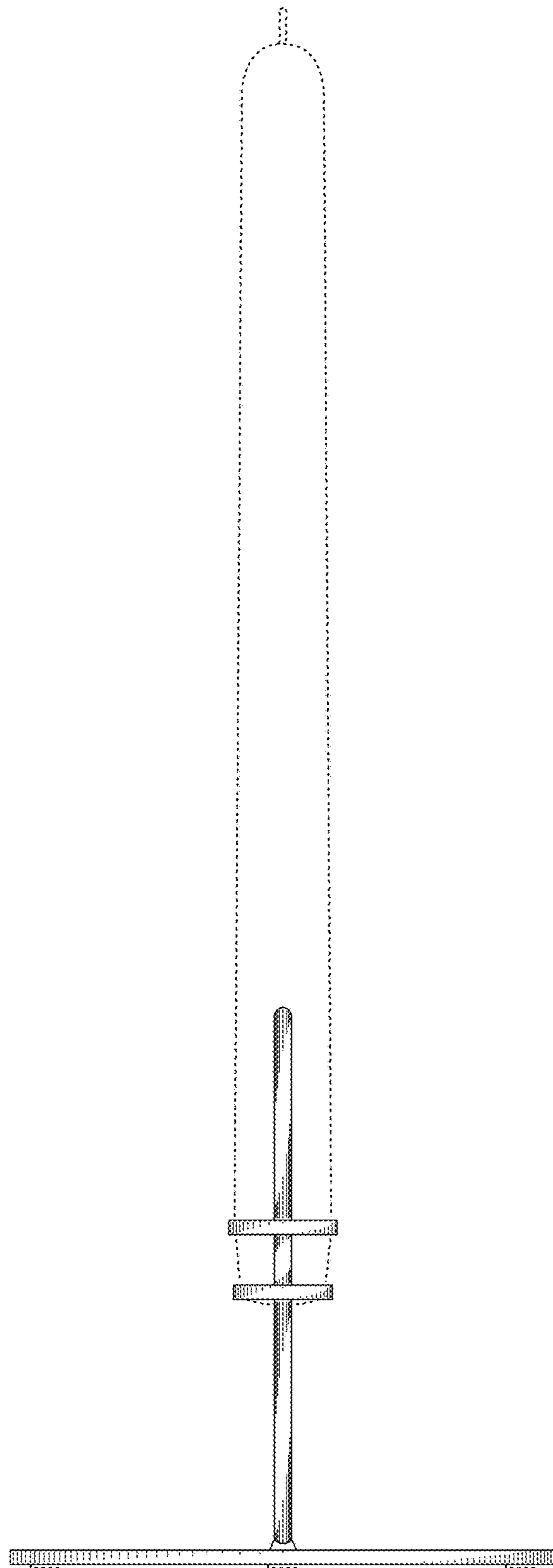


FIG. 5

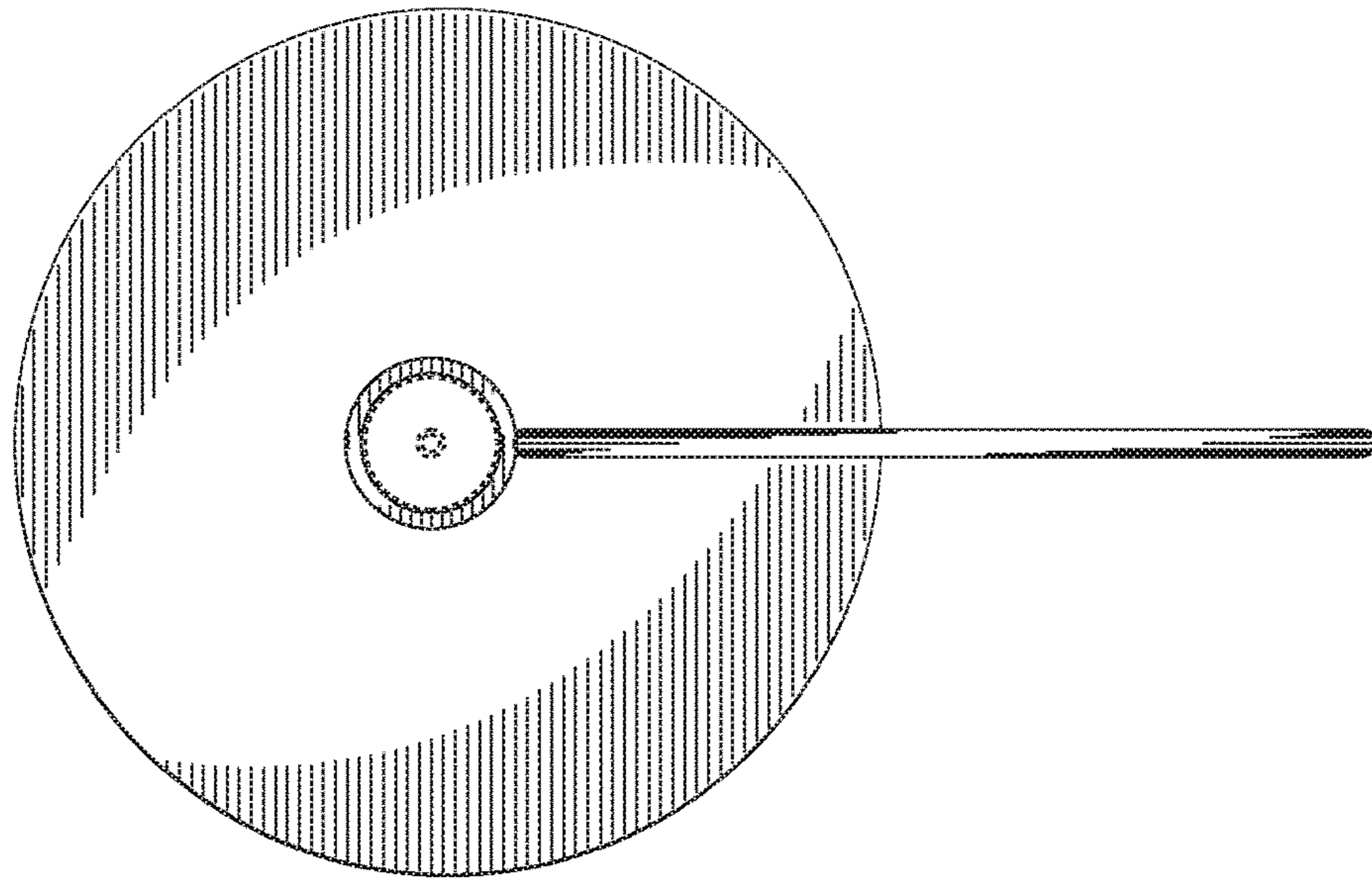


FIG. 6

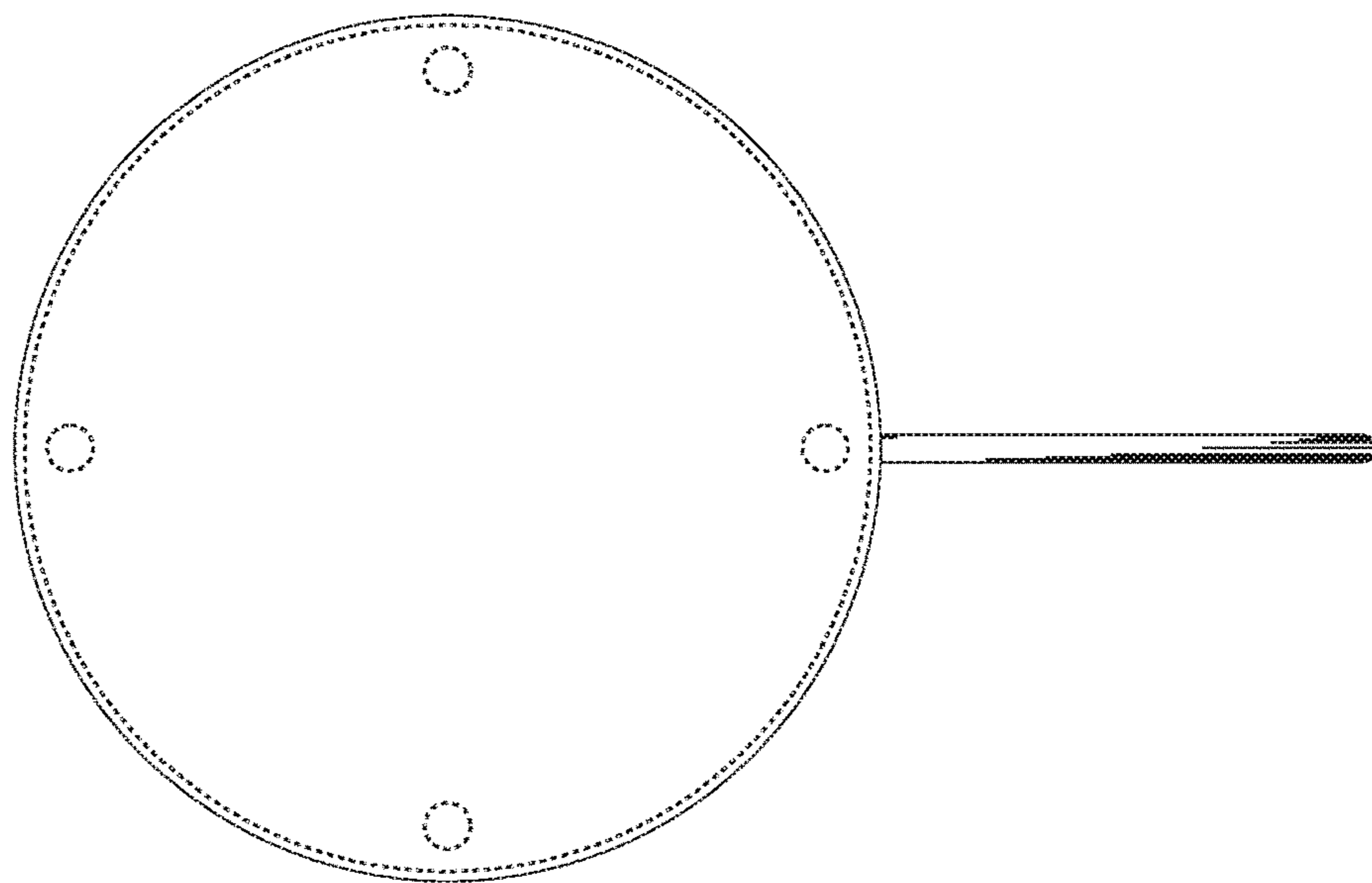


FIG. 7