



US00D831241S

(12) **United States Design Patent** (10) **Patent No.:** **US D831,241 S**
Wei et al. (45) **Date of Patent:** **** Oct. 16, 2018**

(54) **LED LIGHT BULB**

H01J 5/16; H01J 15/00; H01J 5/48; H01J 5/50; H01J 19/54; F21V 5/00

(71) Applicant: **FOSHAN ELECTRICAL AND LIGHTING CO., LTD**, Foshan, Guangdong (CN)

See application file for complete search history.

(72) Inventors: **Bin Wei**, Guangdong (CN); **Yiguang Zhu**, Guangdong (CN); **Junjie Zhao**, Guangdong (CN); **Hengyao Cao**, Guangdong (CN)

(56) **References Cited**

U.S. PATENT DOCUMENTS

D644,766	S	*	9/2011	Su	D26/2
D652,157	S	*	1/2012	Zolotykh	D26/2
D653,364	S	*	1/2012	Howard	D26/2
D661,821	S	*	6/2012	Veres	D26/2
D688,393	S	*	8/2013	Tsai	D26/2

(73) Assignee: **FOSHAN ELECTRICAL AND LIGHTING CO., LTD**, Foshan (CN)

* cited by examiner

(**) Term: **15 Years**

Primary Examiner — Marcus Jackson

(21) Appl. No.: **29/612,814**

(57) **CLAIM**

(22) Filed: **Aug. 4, 2017**

The ornamental design for an LED light bulb, as shown and described.

(30) **Foreign Application Priority Data**

DESCRIPTION

Feb. 23, 2017 (CN) 2017 3 0048105

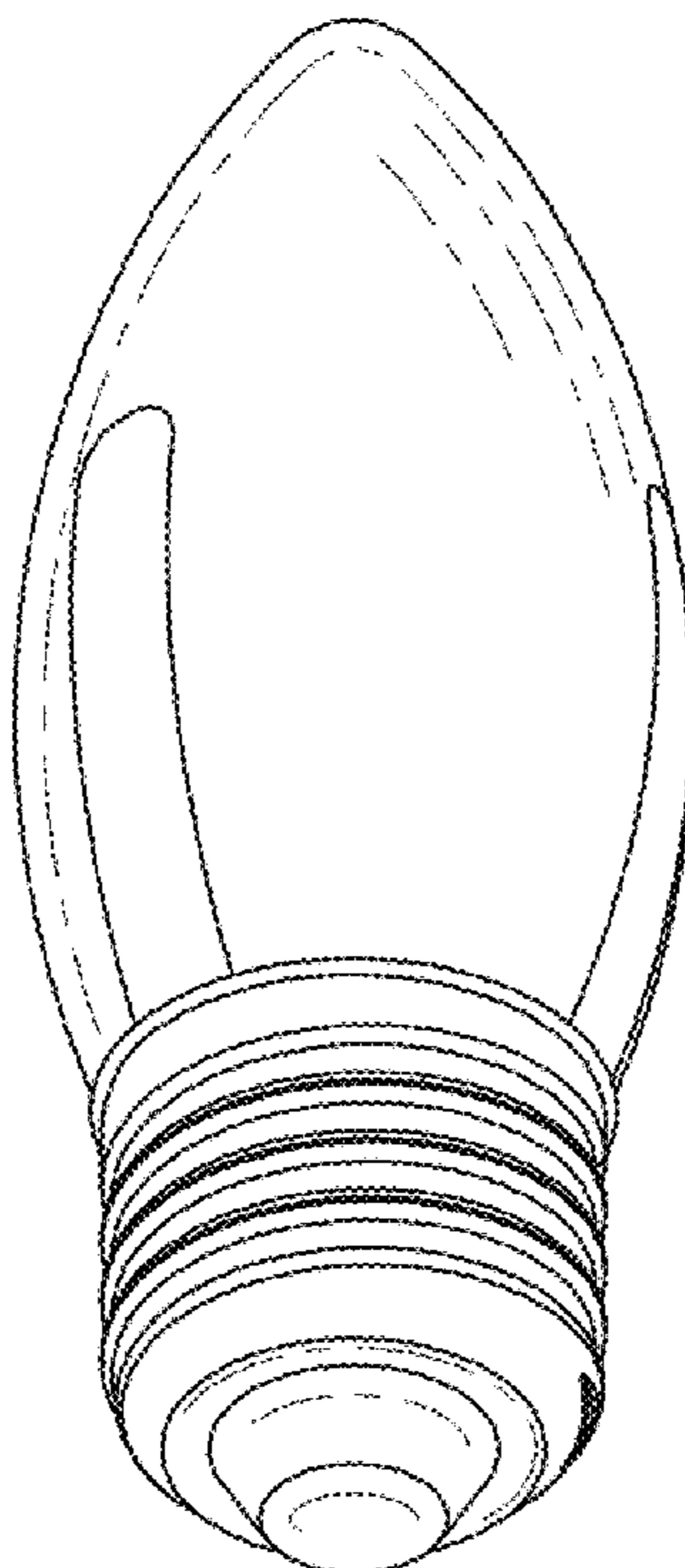
(51) **LOC (11) Cl.** **26-04**

(52) **U.S. Cl.**
USPC **D26/4**

(58) **Field of Classification Search**
USPC D26/1-4; 313/313, 315, 316, 317, 318, 313/493; 315/52, 53, 56, 57, 58
CPC H01R 5/00; H01R 13/46; H01R 13/514; H01R 31/02; H01J 31/048; H01J 5/00;

FIG. 1 is a front elevational view of an LED light bulb showing our new design;
FIG. 2 is a rear elevational view thereof;
FIG. 3 is a right side view thereof;
FIG. 4 is a left side view thereof;
FIG. 5 is a bottom plan view thereof;
FIG. 6 is a top plan view thereof; and,
FIG. 7 is a perspective view thereof.

1 Claim, 2 Drawing Sheets



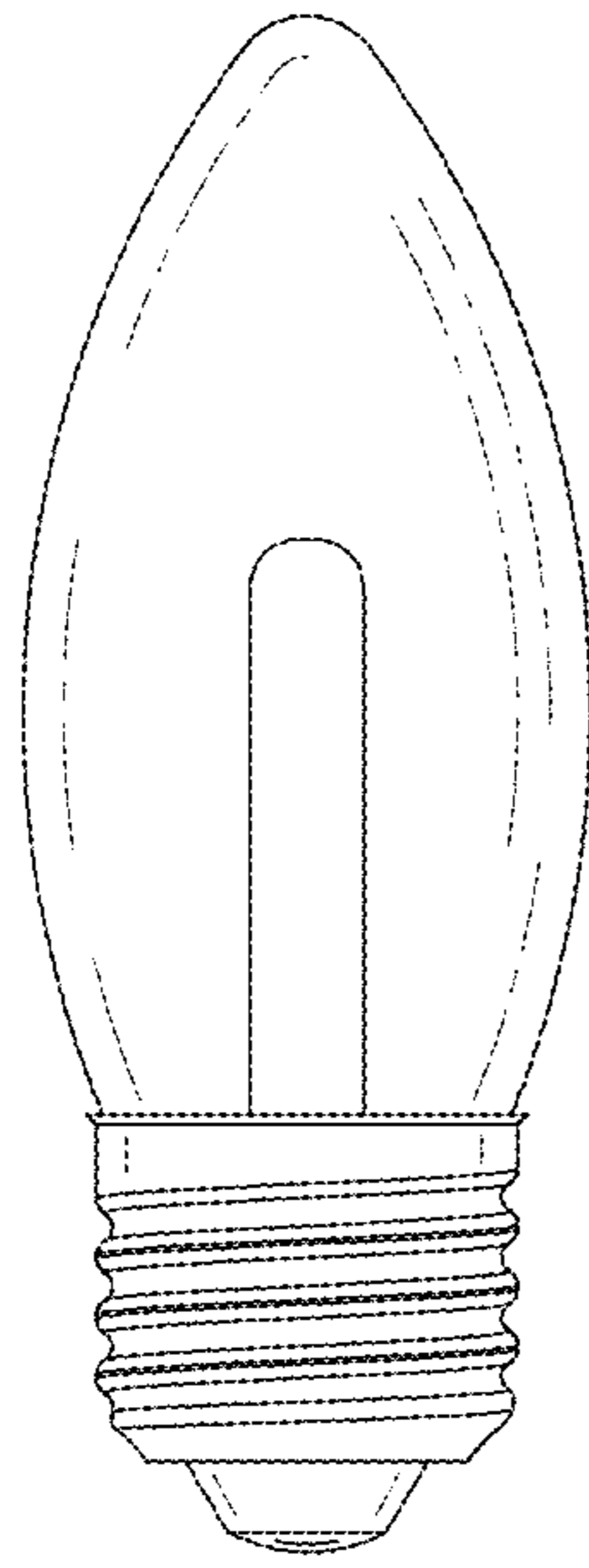


FIG. 1

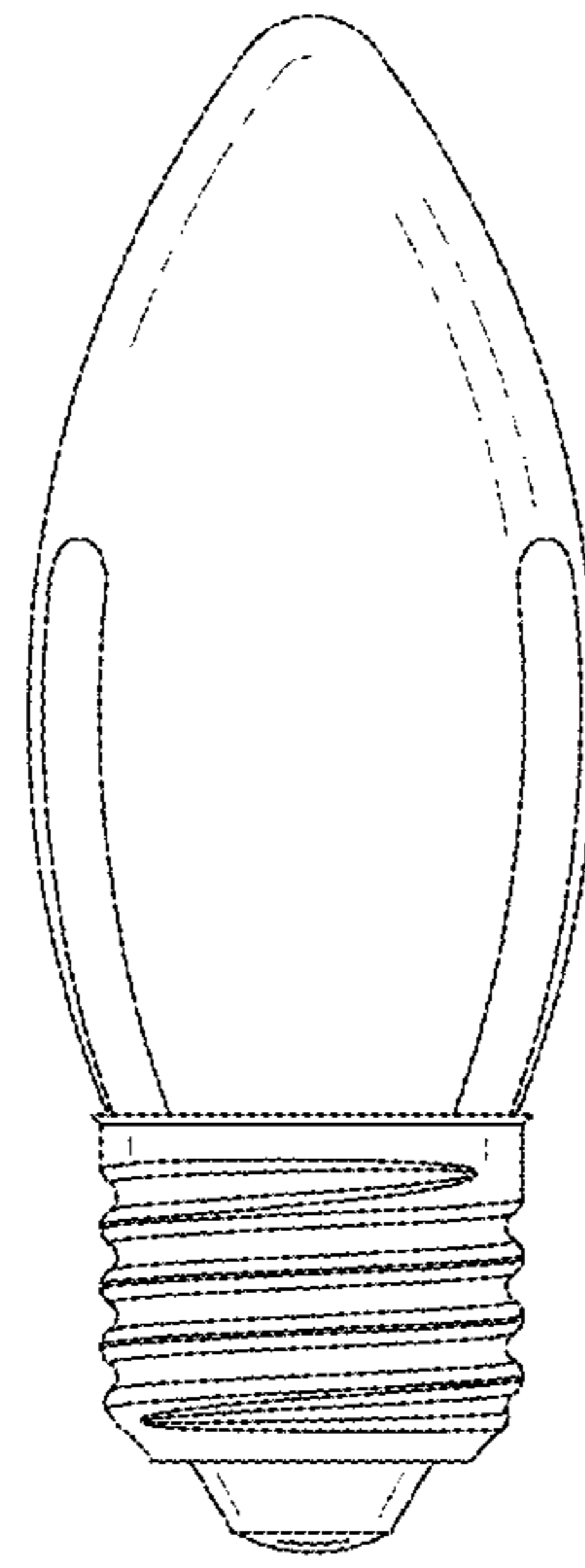


FIG. 2

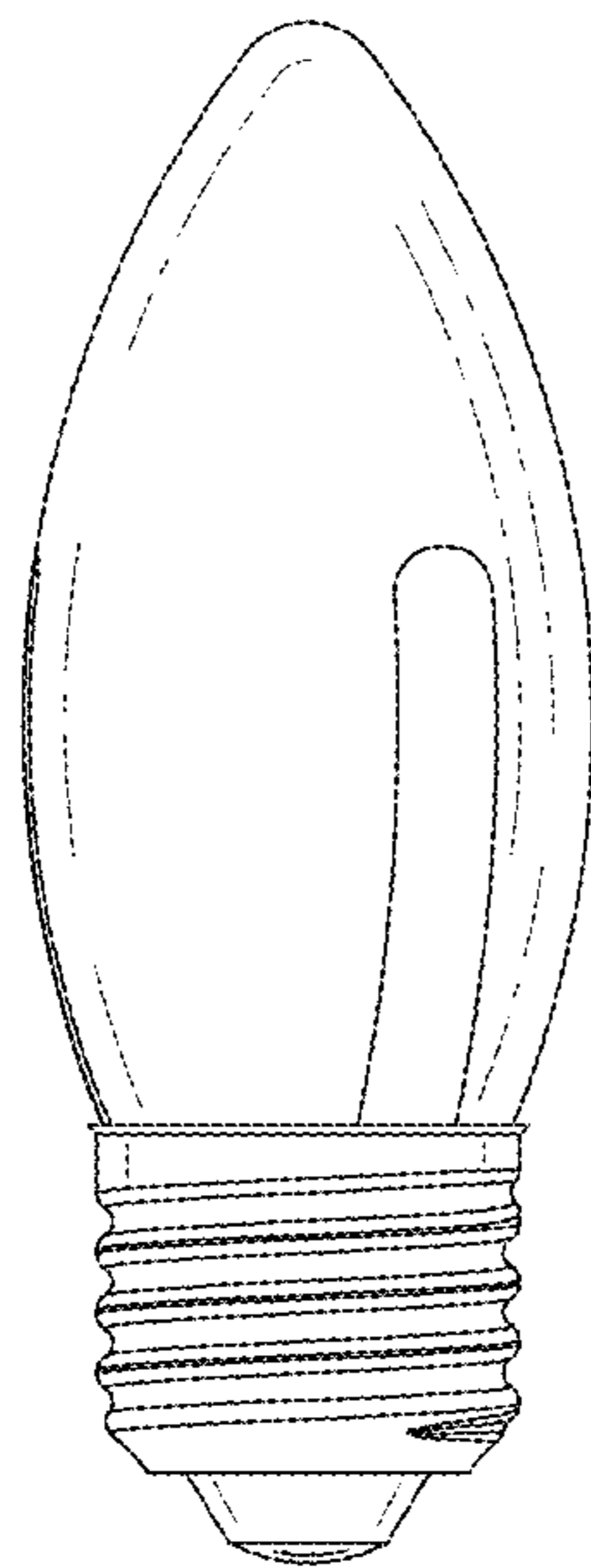


FIG. 3

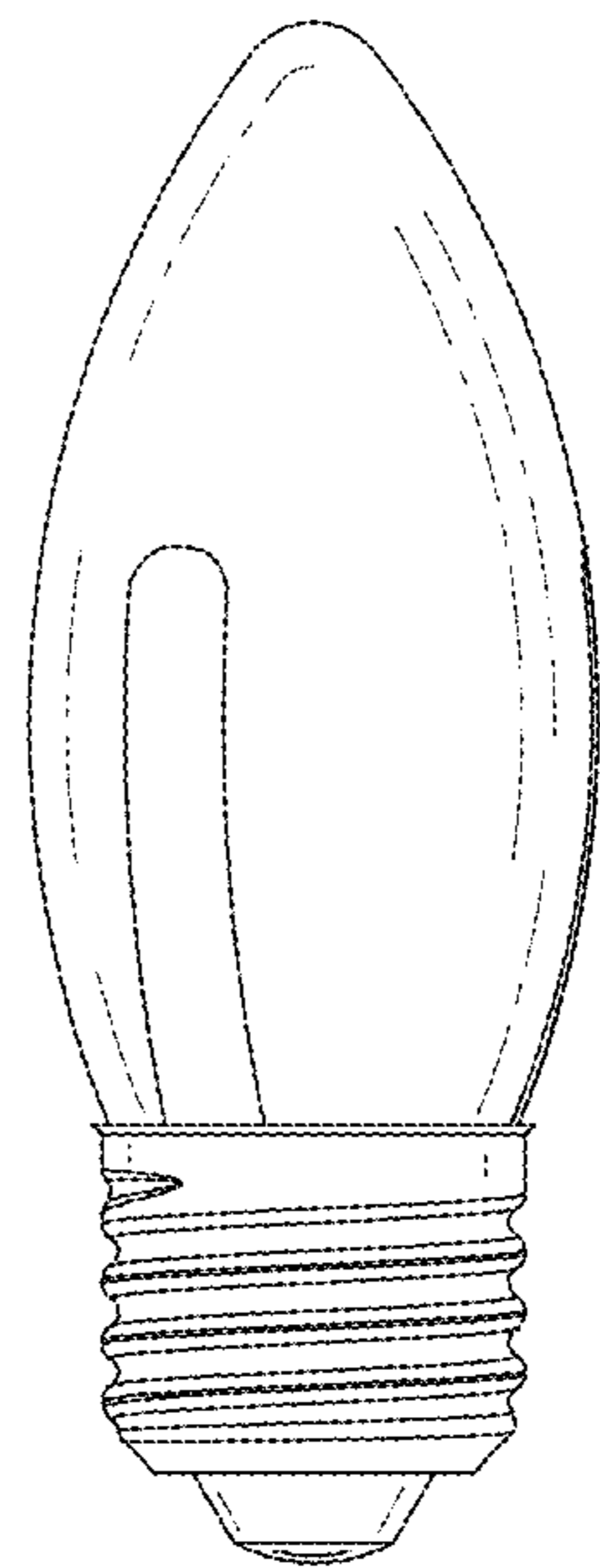


FIG. 4

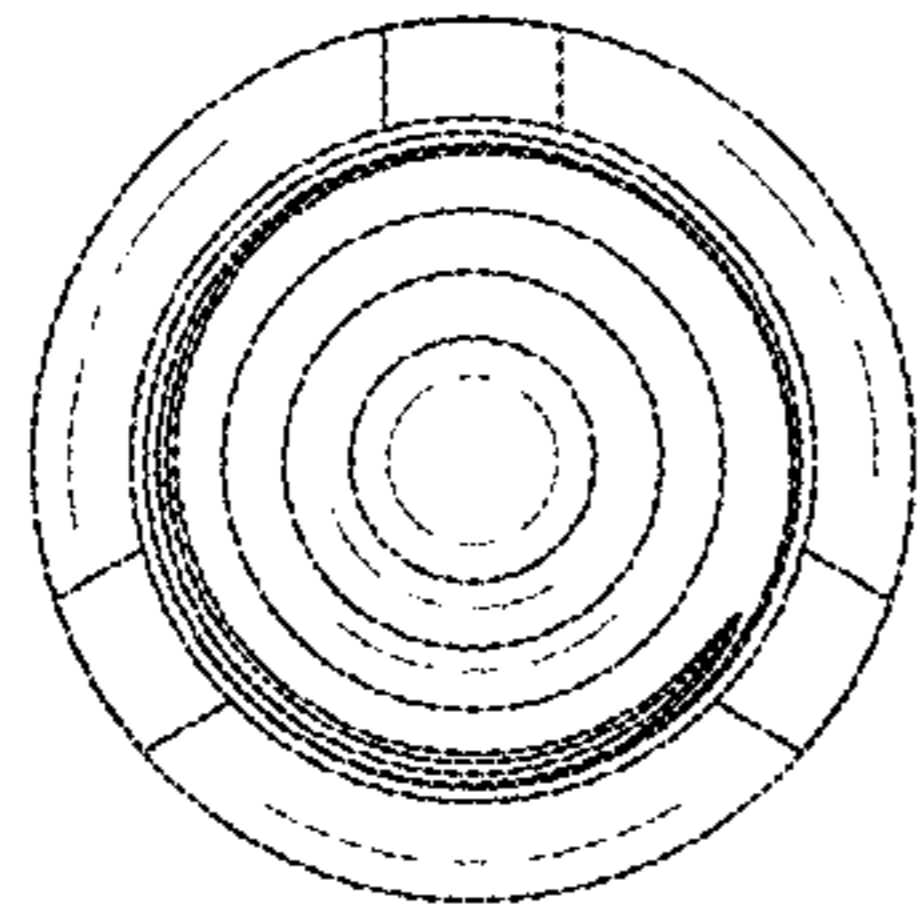


FIG. 5

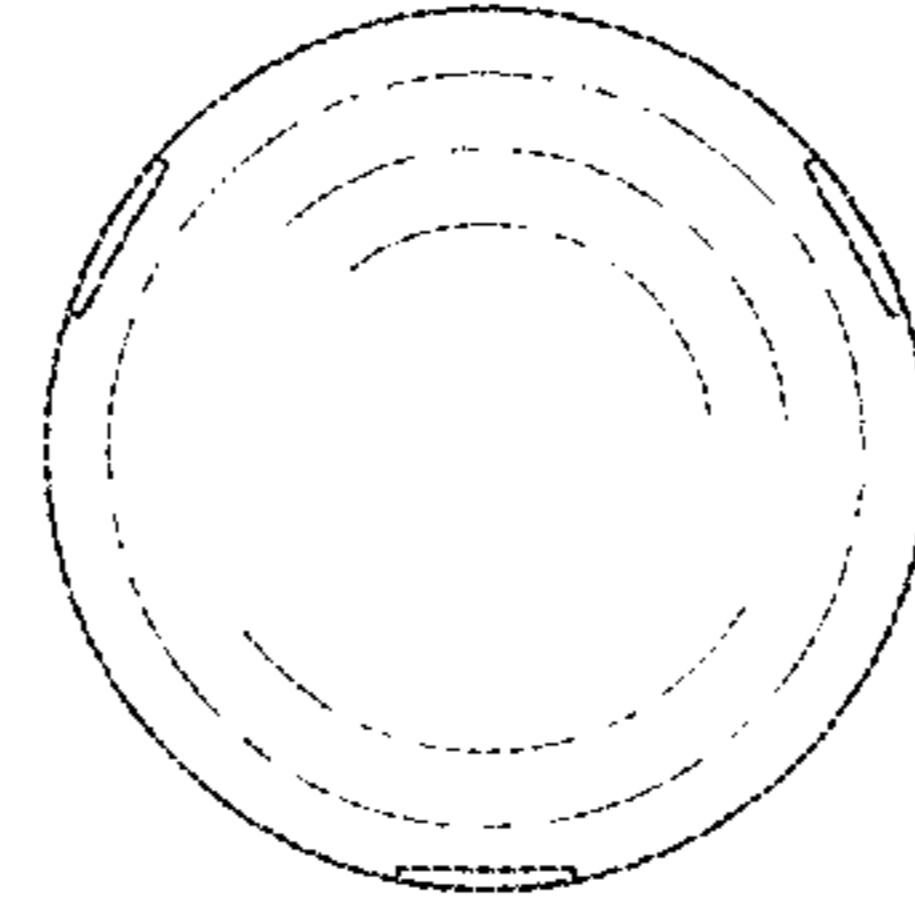


FIG. 6

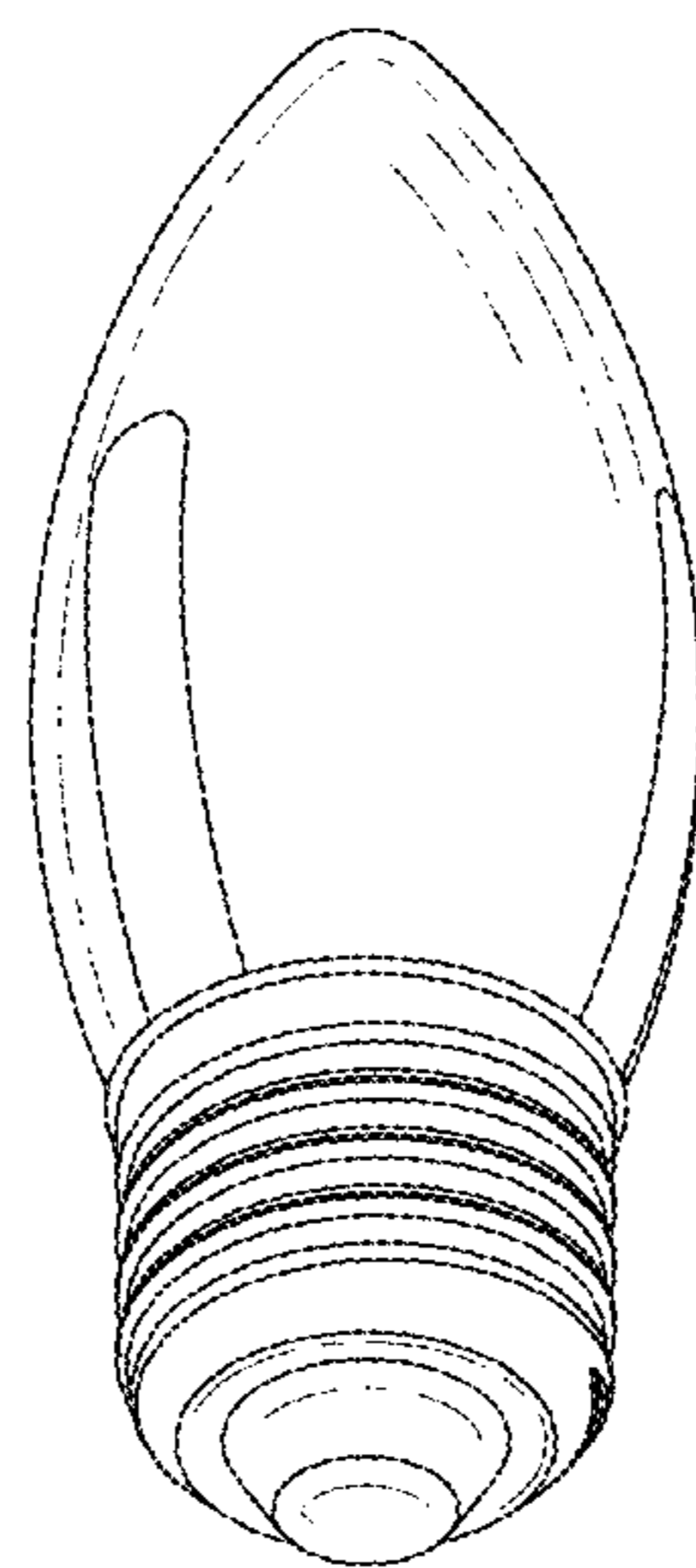


FIG. 7