



US00D831237S

(12) **United States Design Patent**
Johnson

(10) **Patent No.:** **US D831,237 S**
(45) **Date of Patent:** **** Oct. 16, 2018**

- (54) **FLEXIBLE LIGHT PIPE GUIDE**
- (71) Applicant: **Gooee Limited**, St Albans (GB)
- (72) Inventor: **Andrew Johnson**, Klosters (CH)
- (73) Assignee: **Gooee Limited**, St Albans (GB)
- (**) Term: **15 Years**
- (21) Appl. No.: **29/585,592**
- (22) Filed: **Nov. 28, 2016**
- (51) **LOC (11) Cl.** **26-04**
- (52) **U.S. Cl.**
USPC **D26/1**
- (58) **Field of Classification Search**
USPC D26/1-6, 22, 72, 74, 78, 88, 89, 93, 106,
D26/113-116, 118, 120, 121, 138;
D13/169, 174; D22/117; D8/305-312
CPC A01G 13/06; C11C 5/006; F21L 17/00;
F21L 4/005; F23D 3/16; F23D 3/18;
F21V 33/0064; F41B 15/022; F41B
15/025
See application file for complete search history.

(56) **References Cited**

U.S. PATENT DOCUMENTS

5,991,048	A	11/1999	Karlson et al.	
7,527,437	B2	5/2009	Santos et al.	
D663,048	S *	7/2012	Chen	D26/1
D730,547	S *	5/2015	Venier	D26/1
9,332,610	B2	5/2016	Kuo et al.	
D808,826	S *	1/2018	Johnson	D10/46
2010/0020550	A1	1/2010	Kawashima et al.	
2010/0188753	A1 *	7/2010	Paulussen	G02B 5/0278 359/599

2011/0233392	A1	9/2011	Amante	
2012/0281427	A1 *	11/2012	Shakespeare	G02B 6/001 362/555
2015/0262518	A1 *	9/2015	Freeman	F21V 5/04 362/311.02

FOREIGN PATENT DOCUMENTS

DE 102012210743 A1 1/2014

* cited by examiner

Primary Examiner — Brandon M Rosati

Assistant Examiner — John A Voytek

(74) *Attorney, Agent, or Firm* — Moyles IP, LLC

(57) **CLAIM**

The ornamental design of a light guide having a flexible light pipe guide, as shown and described.

DESCRIPTION

FIG. 1 is a top perspective view of a flexible light pipe guide; FIG. 2 is a bottom perspective view of the flexible light pipe guide shown in FIG. 1;

FIG. 3 is a front view of the flexible light pipe guide shown in FIG. 1;

FIG. 4 is a back view of the flexible light pipe guide shown in FIG. 1;

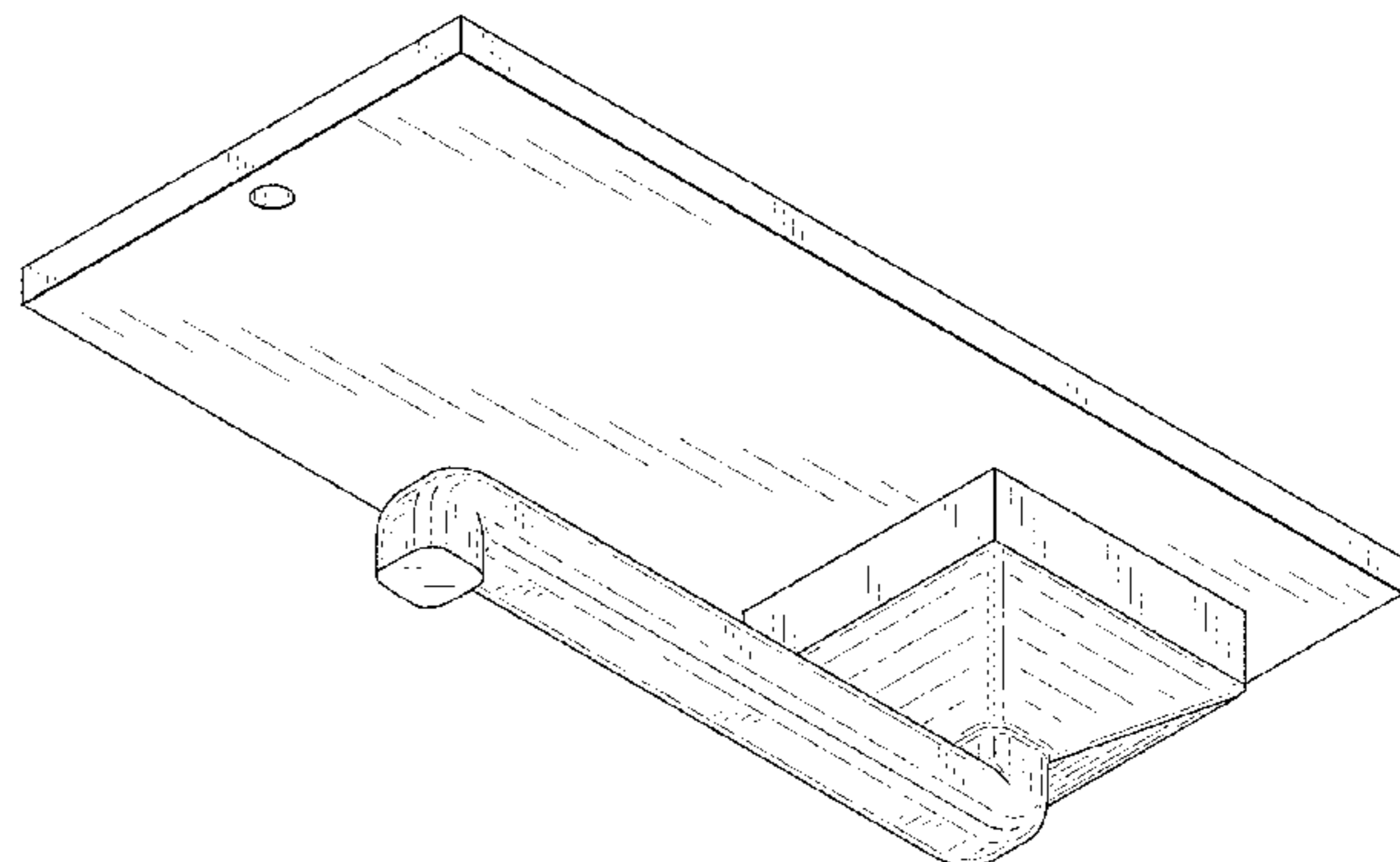
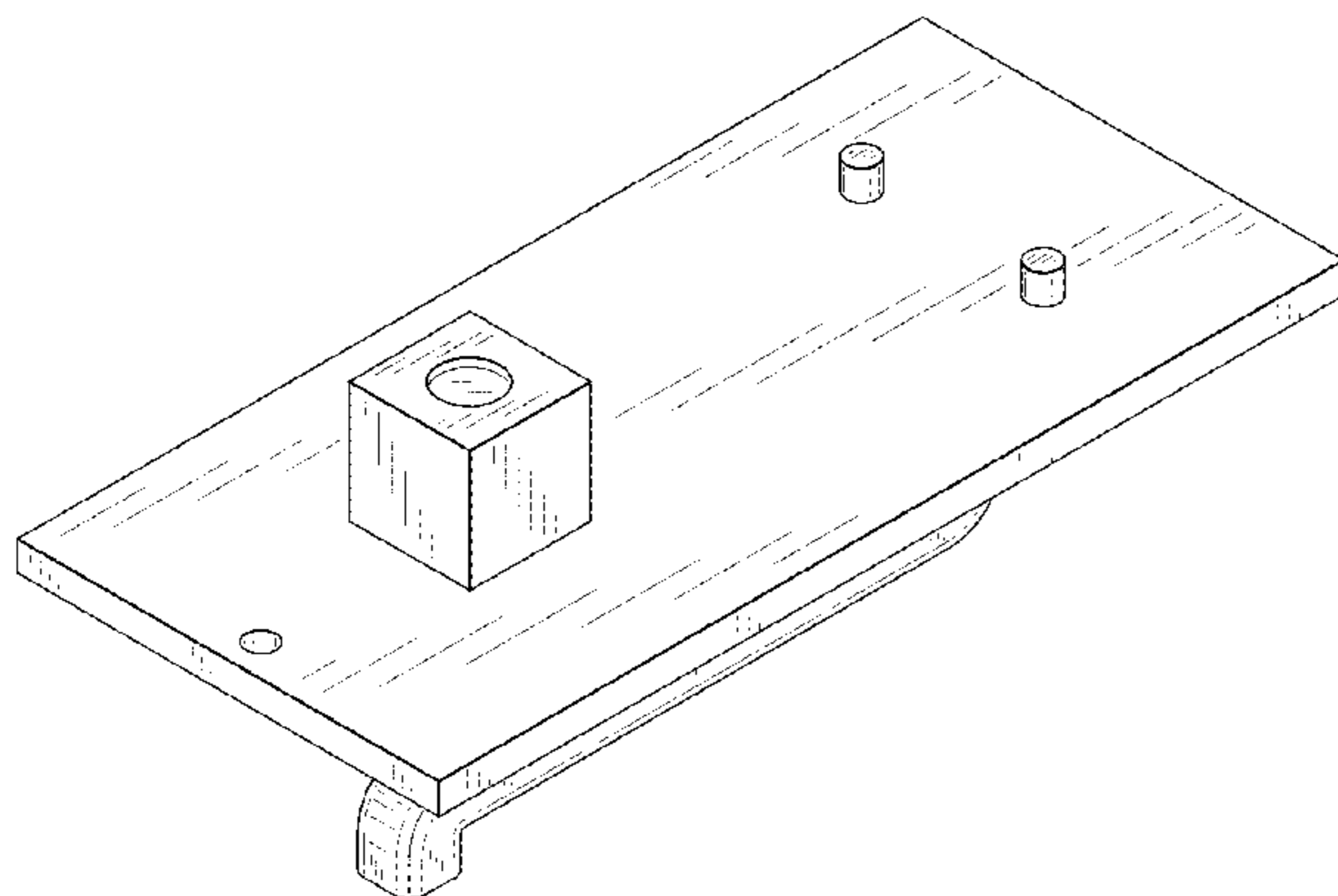
FIG. 5 is a right side view of the flexible light pipe guide shown in FIG. 1;

FIG. 6 is a left side view of the flexible light pipe guide shown in FIG. 1;

FIG. 7 is a top view of the flexible light pipe guide shown in FIG. 1; and,

FIG. 8 is a bottom view of the flexible light pipe guide shown in FIG. 1.

1 Claim, 5 Drawing Sheets



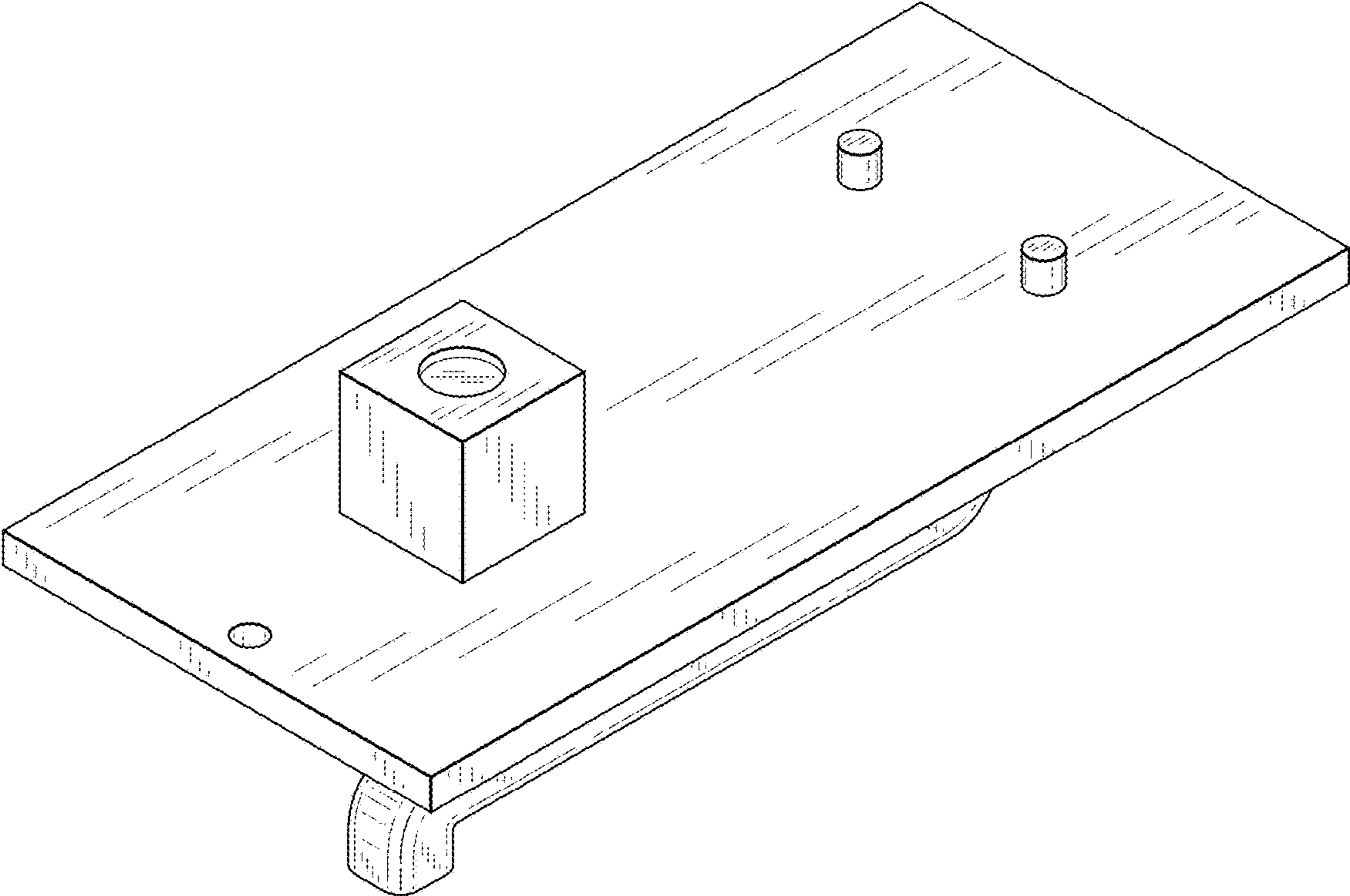


FIG. 1

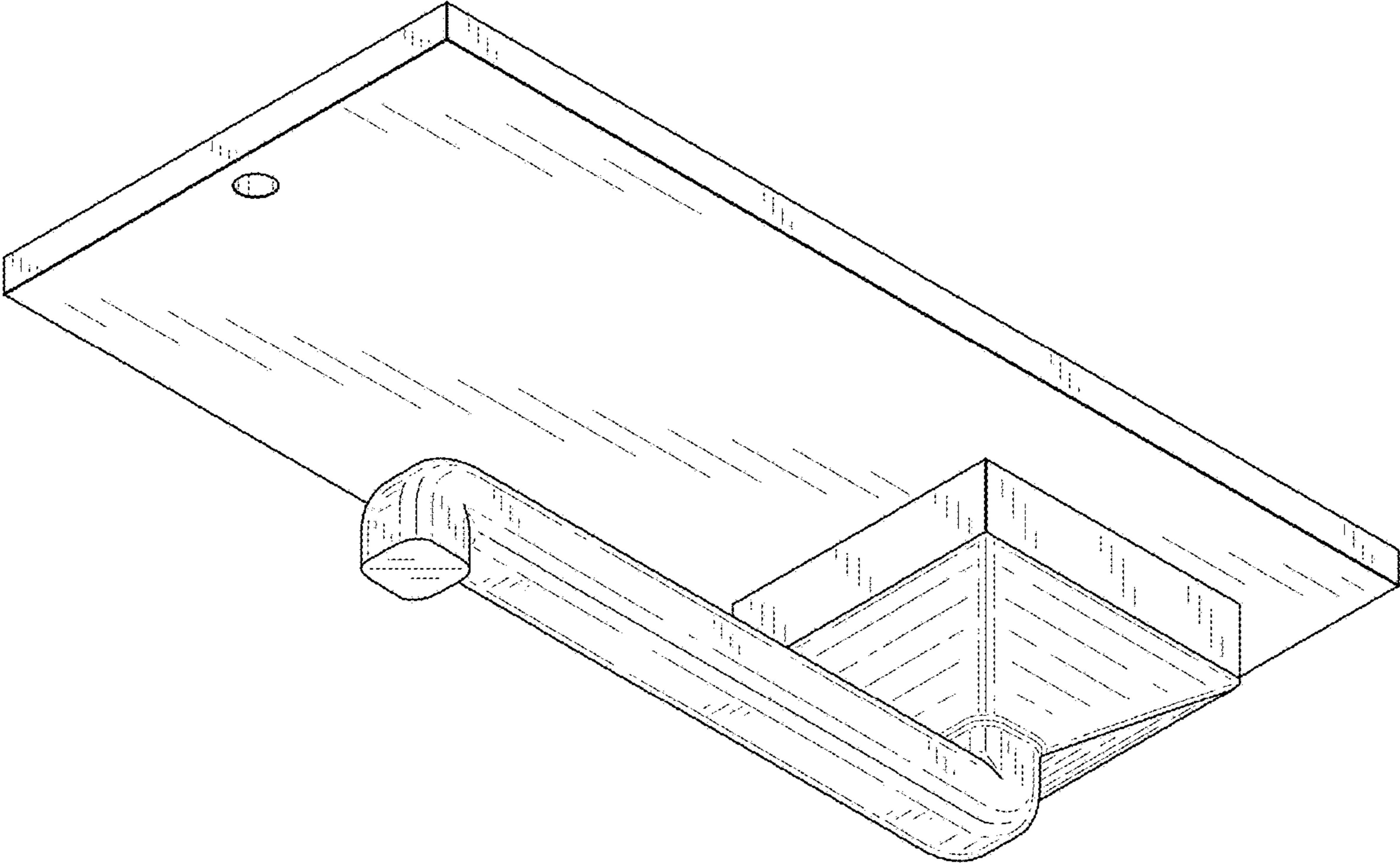


FIG. 2

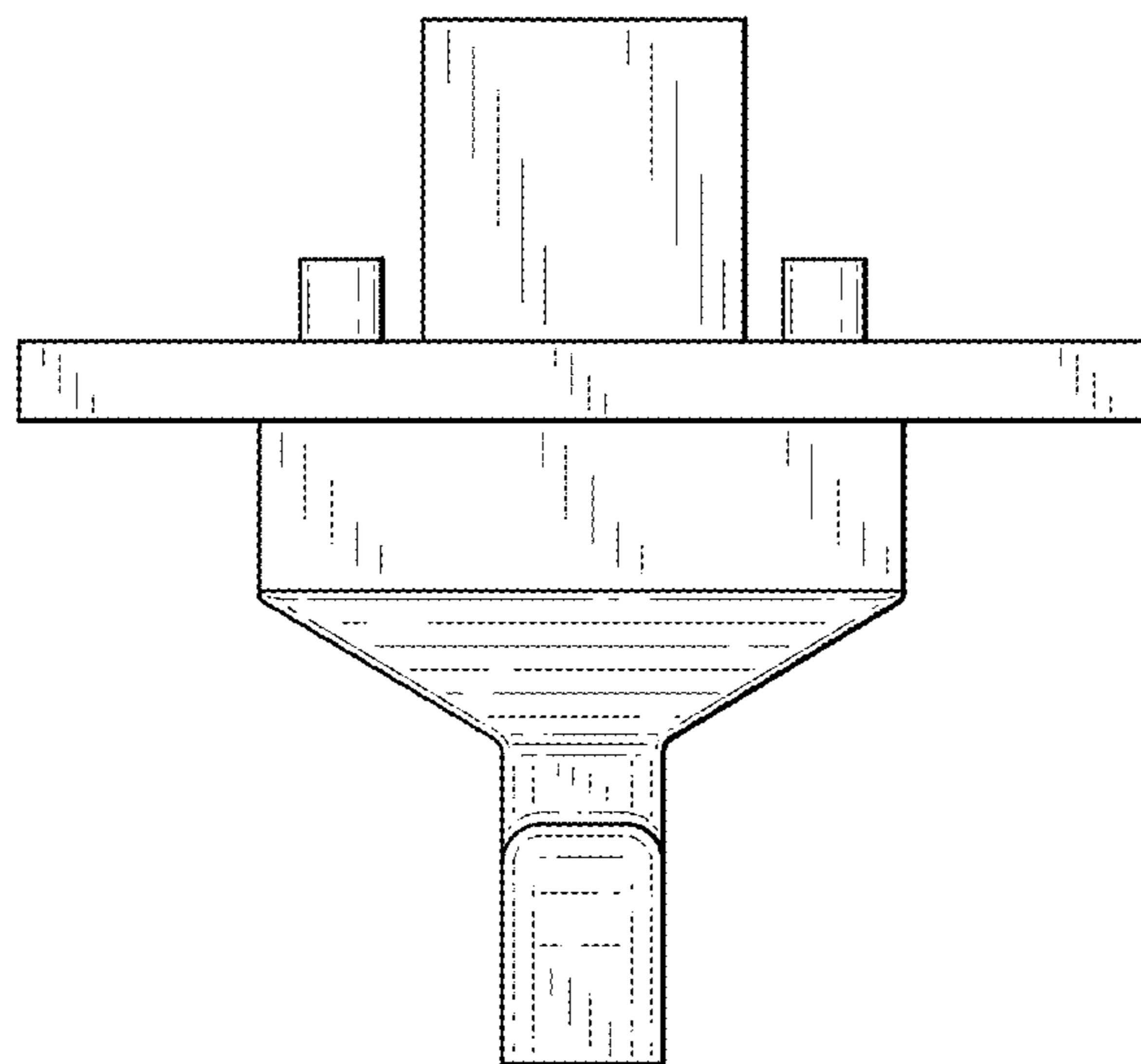


FIG. 3

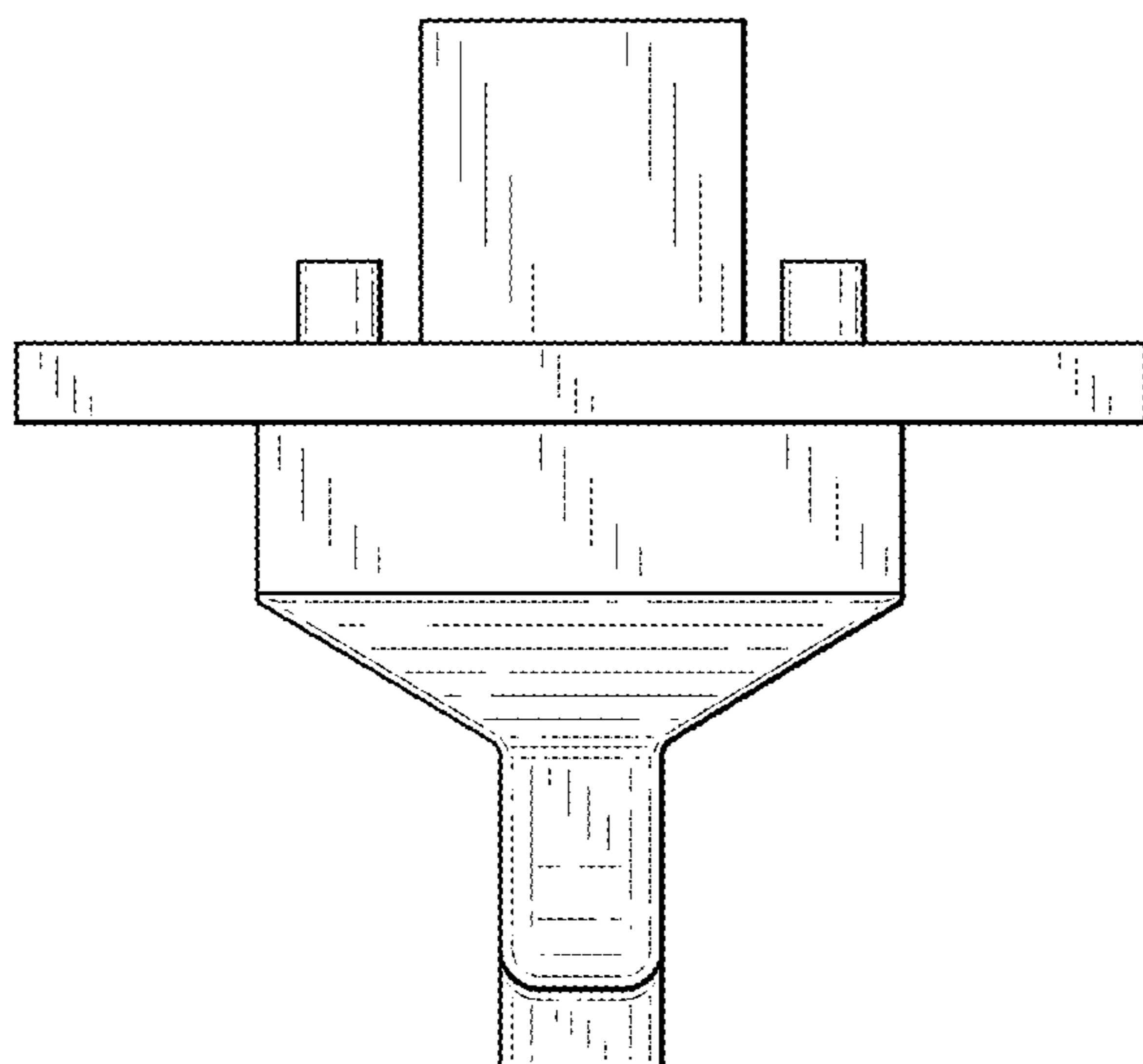


FIG. 4

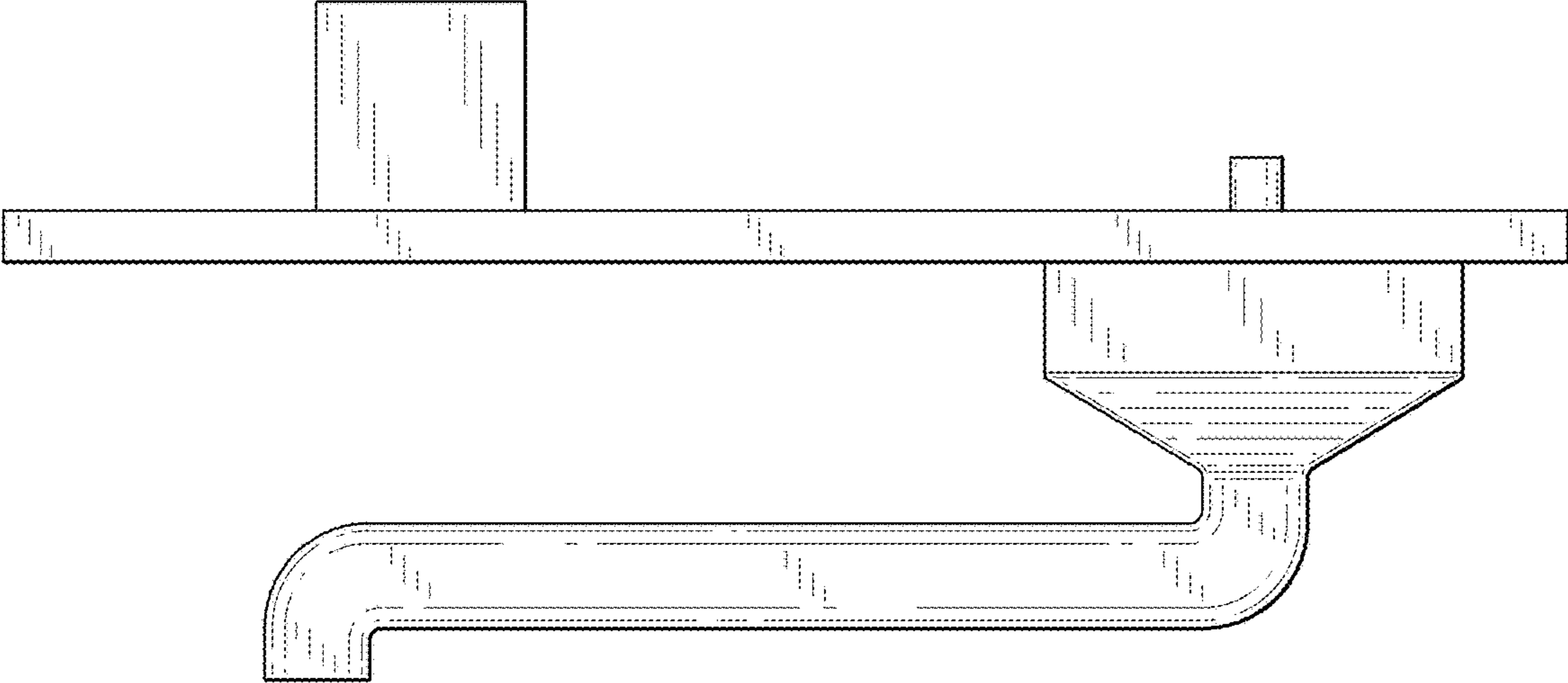


FIG. 5

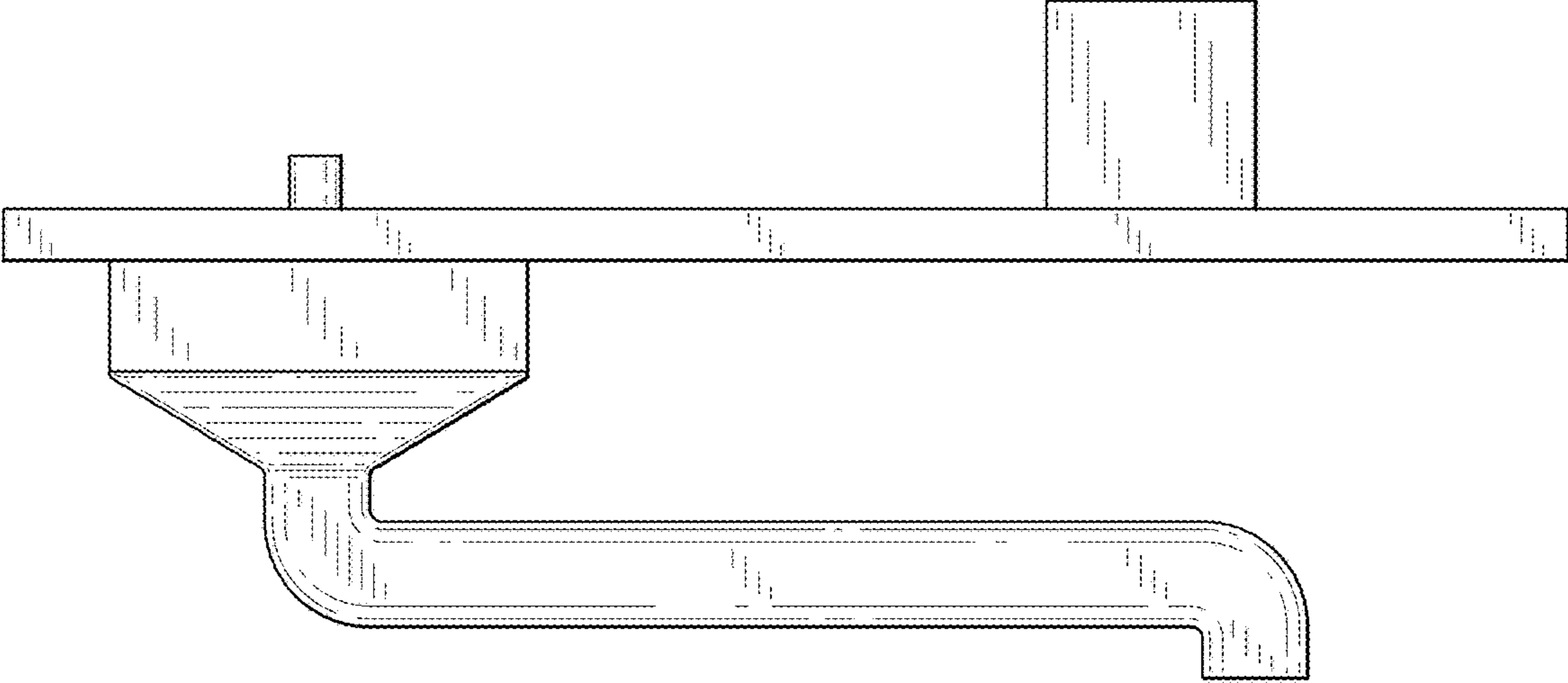


FIG. 6

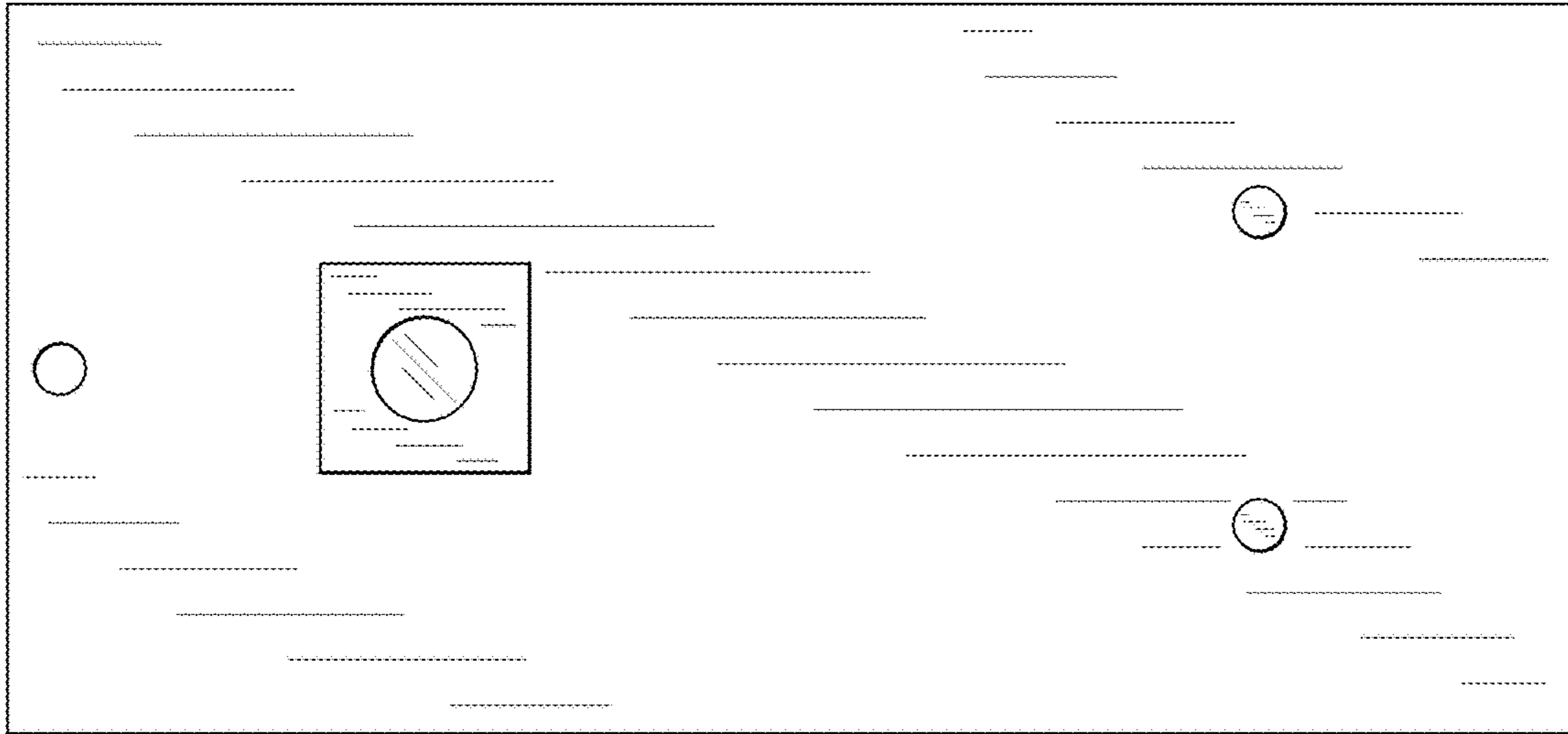


FIG. 7

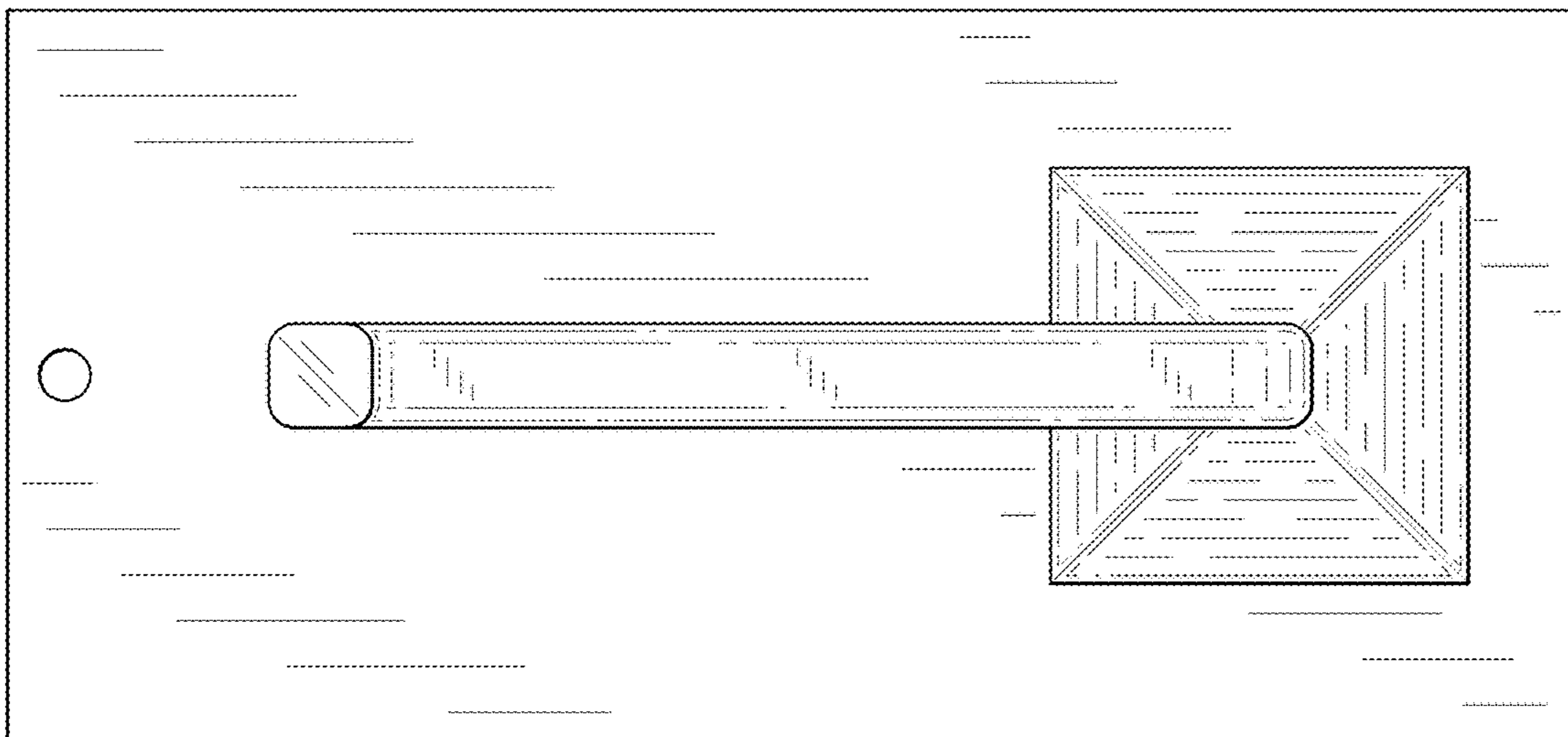


FIG. 8