



US00D831236S

(12) **United States Design Patent**  
**Johnson**

(10) **Patent No.:** **US D831,236 S**  
(45) **Date of Patent:** **\*\* Oct. 16, 2018**

- (54) **COLLIMATED LIGHT PIPE**
- (71) Applicant: **Gooee Limited**, St Albans (GB)
- (72) Inventor: **Andrew Johnson**, Klosters (CH)
- (73) Assignee: **Gooee Limited**, St Albans (GB)
- (\*\*) Term: **15 Years**
- (21) Appl. No.: **29/585,444**
- (22) Filed: **Nov. 23, 2016**
- (51) **LOC (11) Cl.** ..... **26-04**
- (52) **U.S. Cl.**  
USPC ..... **D26/1**
- (58) **Field of Classification Search**  
USPC .... D26/1-6, 22, 72, 74, 78, 88, 89, 93, 106,  
D26/113-116, 118, 120, 121, 138;  
D13/169, 174; D22/117; D8/305-312  
CPC ..... A01G 13/06; C11C 5/006; F21L 17/00;  
F21L 4/005; F23D 3/16; F23D 3/18;  
F21V 33/0064; F41B 15/022; F41B  
15/025  
See application file for complete search history.

(56) **References Cited**

**U.S. PATENT DOCUMENTS**

5,991,048	A	11/1999	Karlson et al.	
7,527,437	B2	5/2009	Santos et al.	
D663,048	S *	7/2012	Chen	D26/1
D730,547	S *	5/2015	Venier	D26/1
9,332,610	B2	5/2016	Kuo et al.	
D808,826	S *	1/2018	Johnson	D10/46
2010/0020550	A1	1/2010	Kawashima et al.	
2010/0188753	A1 *	7/2010	Paulussen	G02B 5/0278 359/599

2011/0233392	A1	9/2011	Amante	
2012/0281427	A1 *	11/2012	Shakespeare	G02B 6/001 362/555
2015/0262518	A1 *	9/2015	Freeman	F21V 5/04 362/311.02

**FOREIGN PATENT DOCUMENTS**

DE 102012210743 A1 1/2014

\* cited by examiner

*Primary Examiner* — Brandon M Rosati

*Assistant Examiner* — John A Voytek

(74) *Attorney, Agent, or Firm* — Moyles IP, LLC

(57) **CLAIM**

The ornamental design of a collimated light pipe, as shown and described.

**DESCRIPTION**

FIG. 1 is a top perspective view of a collimated light pipe; FIG. 2 is a bottom perspective view of the collimated light pipe shown in FIG. 1;

FIG. 3 is a front view of the collimated light pipe shown in FIG. 1;

FIG. 4 depicts a back view of the collimated light pipe shown in FIG. 1;

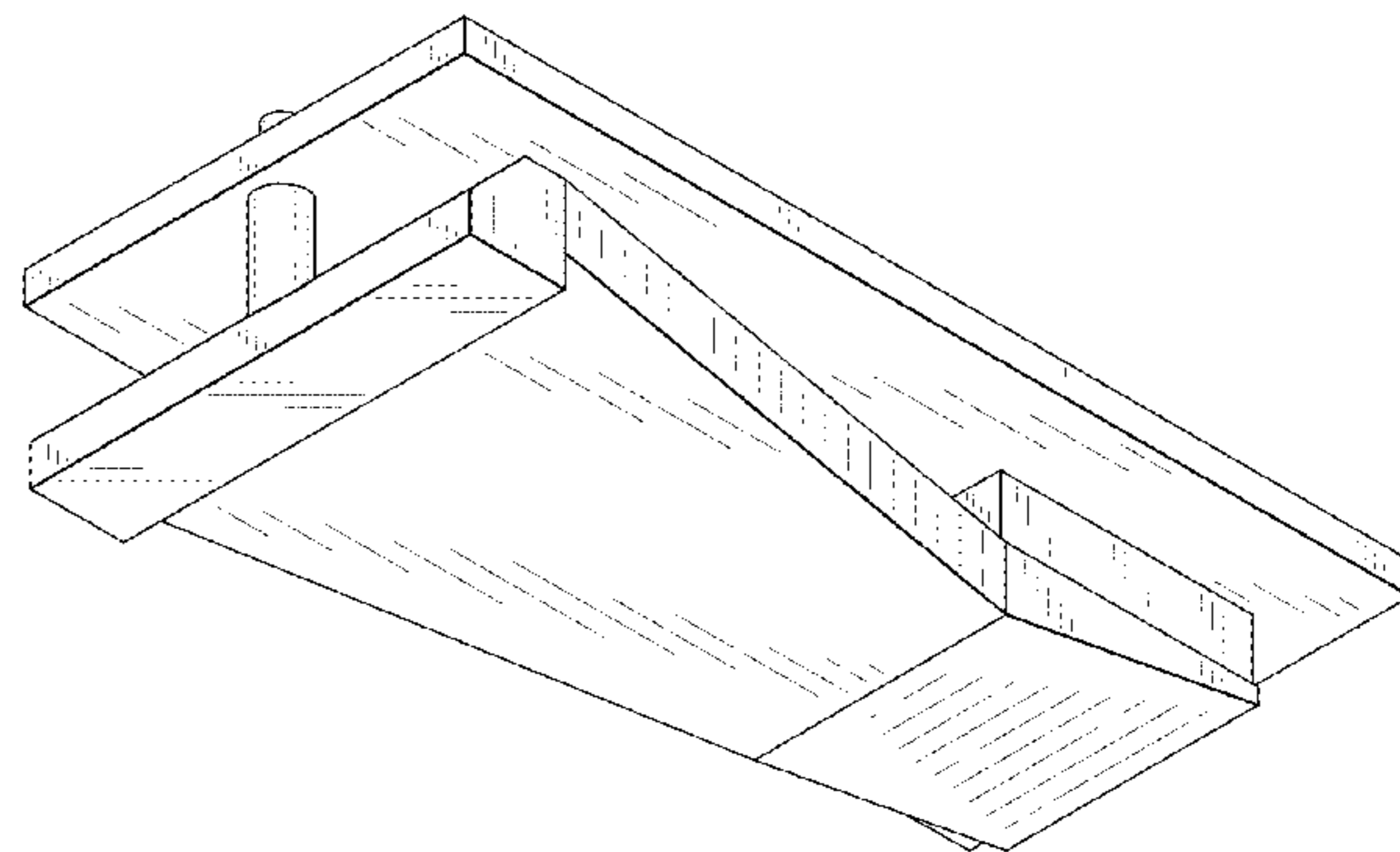
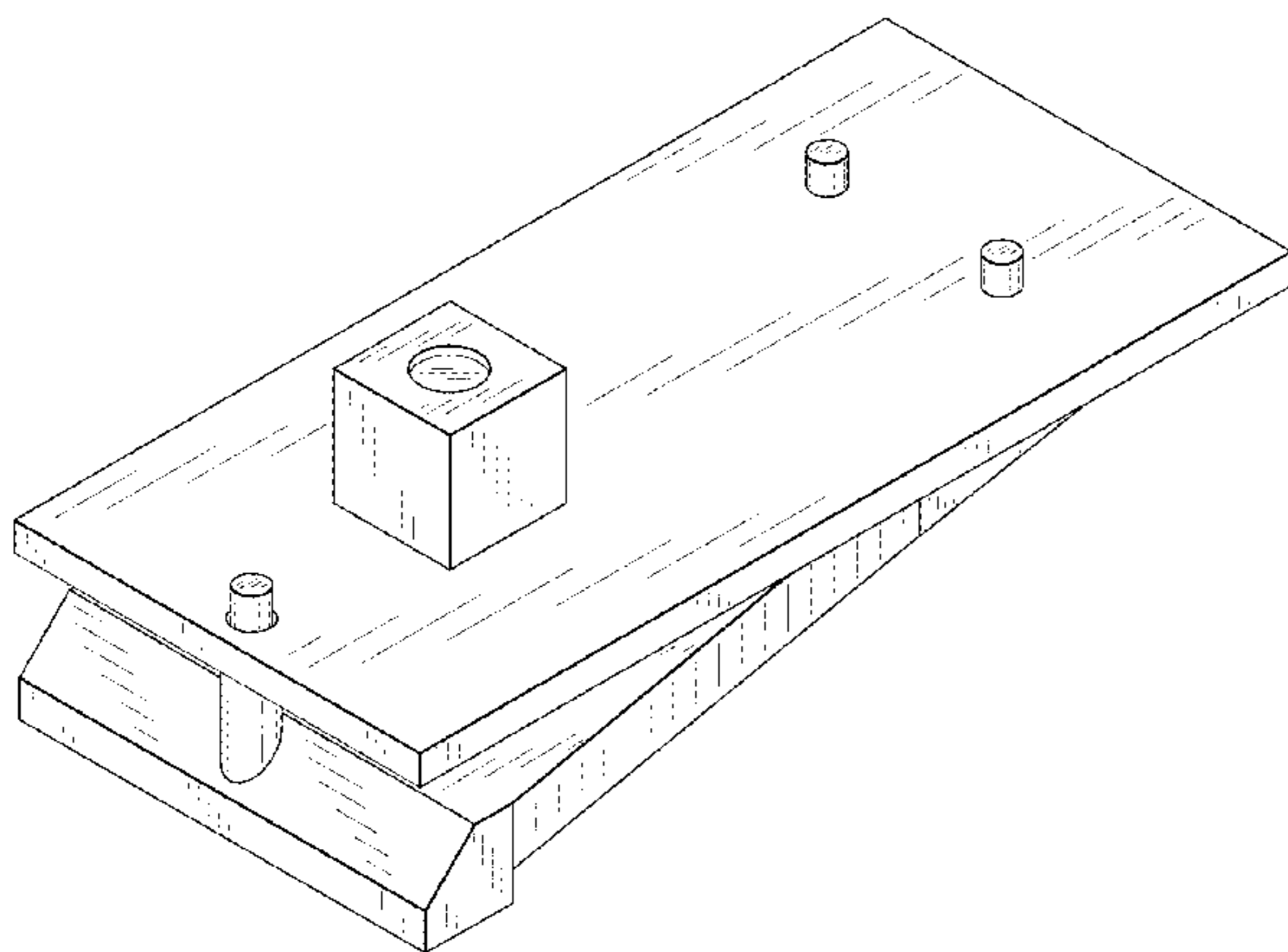
FIG. 5 depicts a right side view of the collimated light pipe shown in FIG. 1;

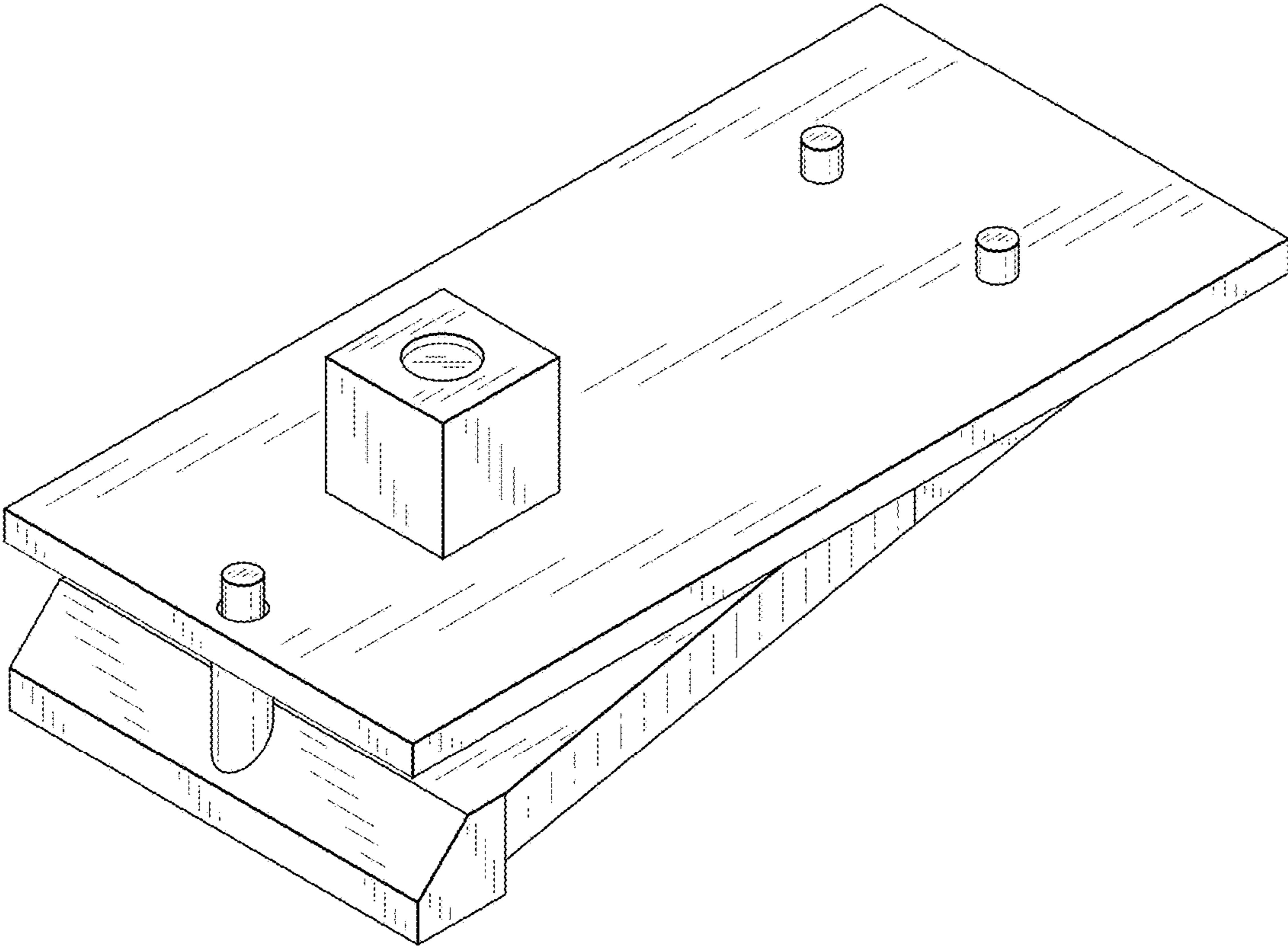
FIG. 6 depicts a left side view of the collimated light pipe shown in FIG. 1;

FIG. 7 depicts a top view of the collimated light pipe shown in FIG. 1; and,

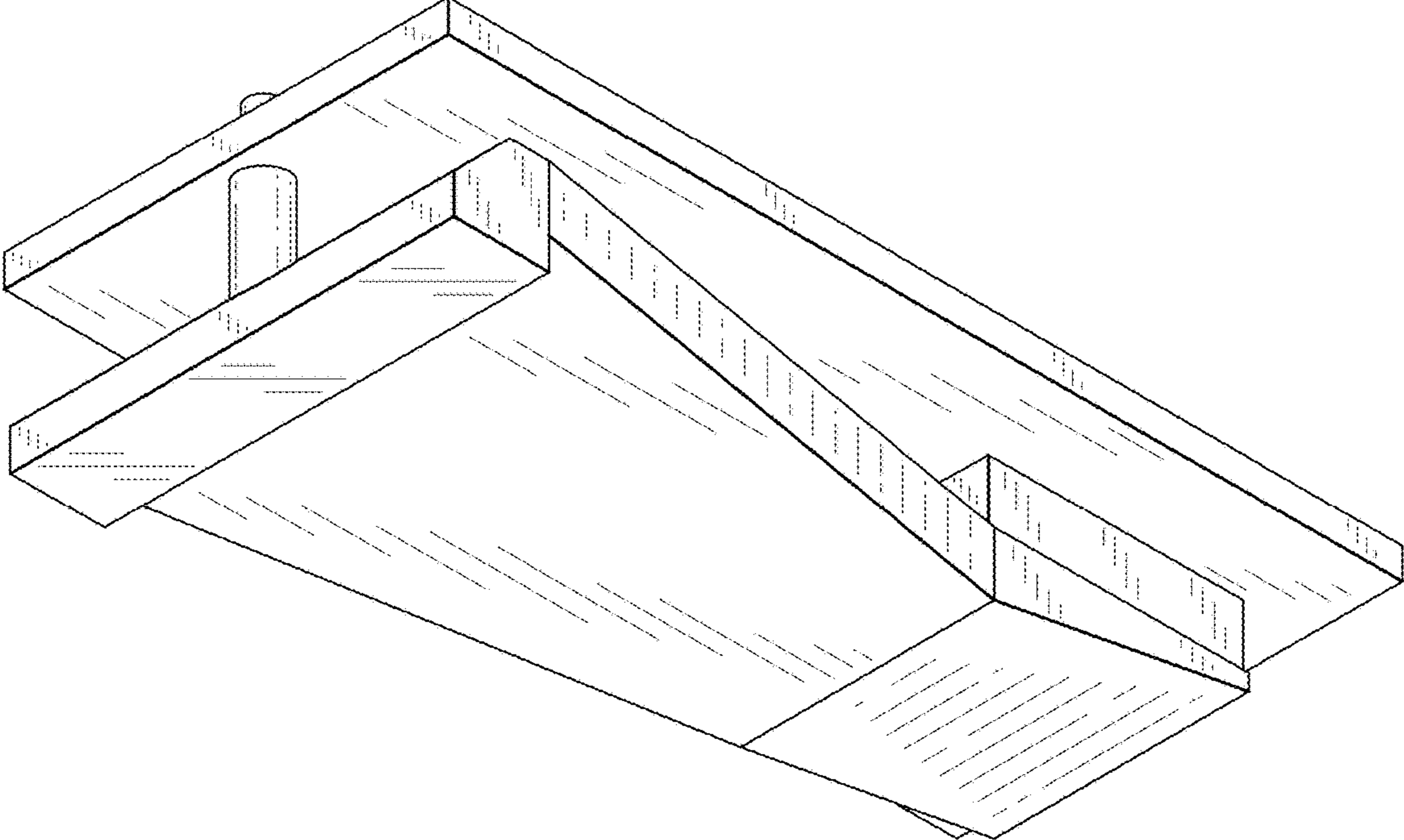
FIG. 8 depicts a bottom view of the collimated light pipe shown in FIG. 1.

**1 Claim, 5 Drawing Sheets**

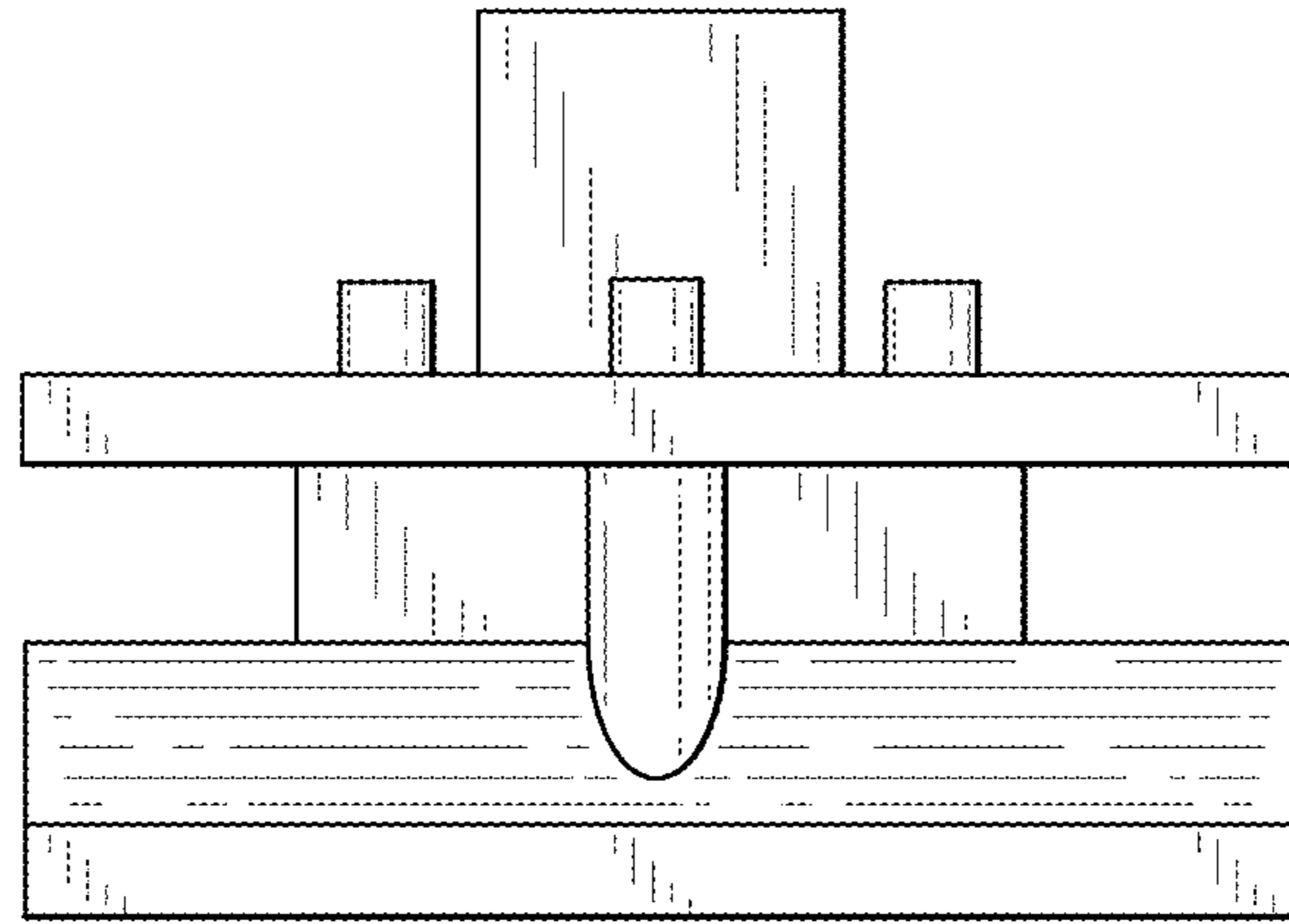




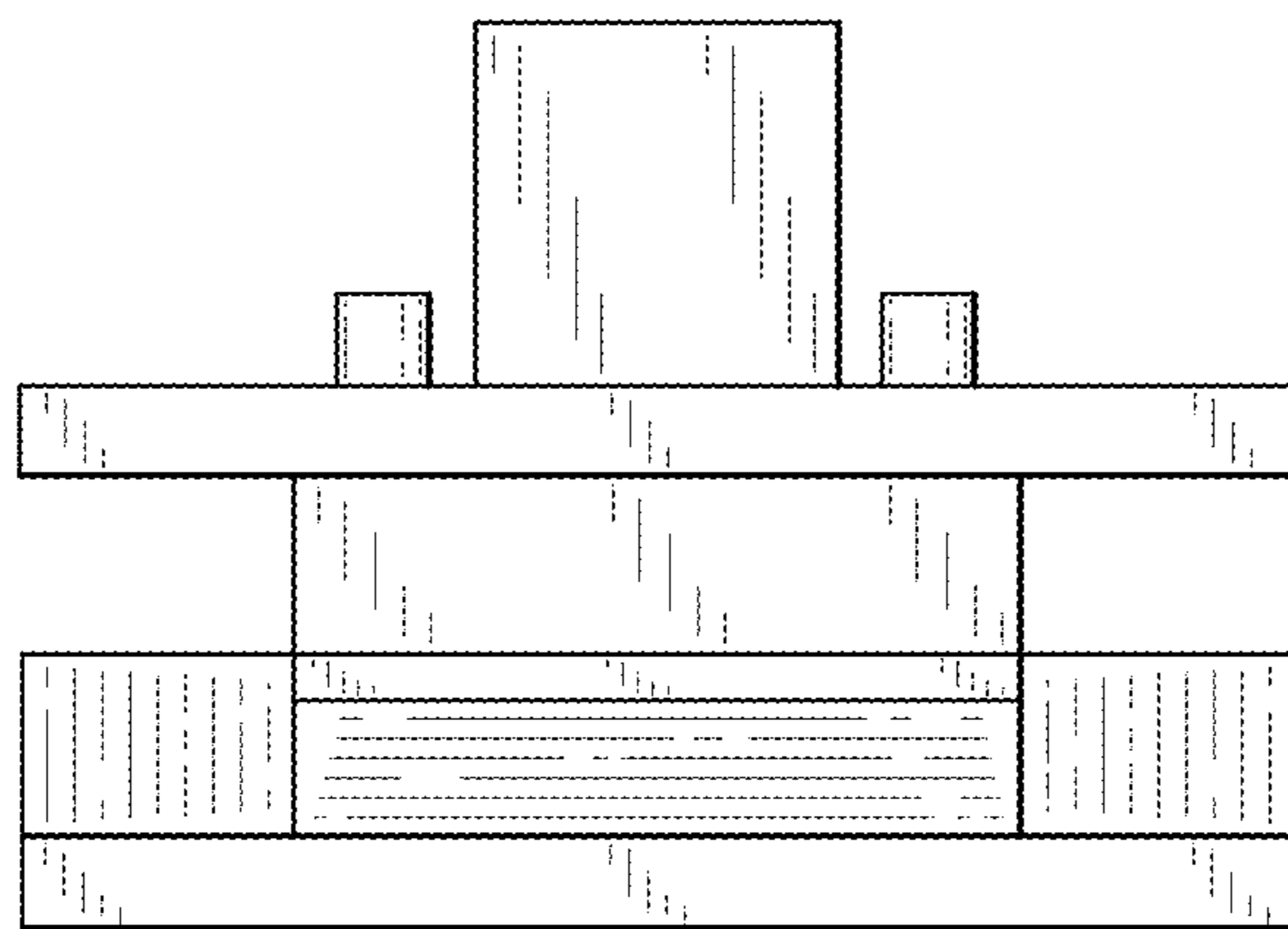
**FIG. 1**



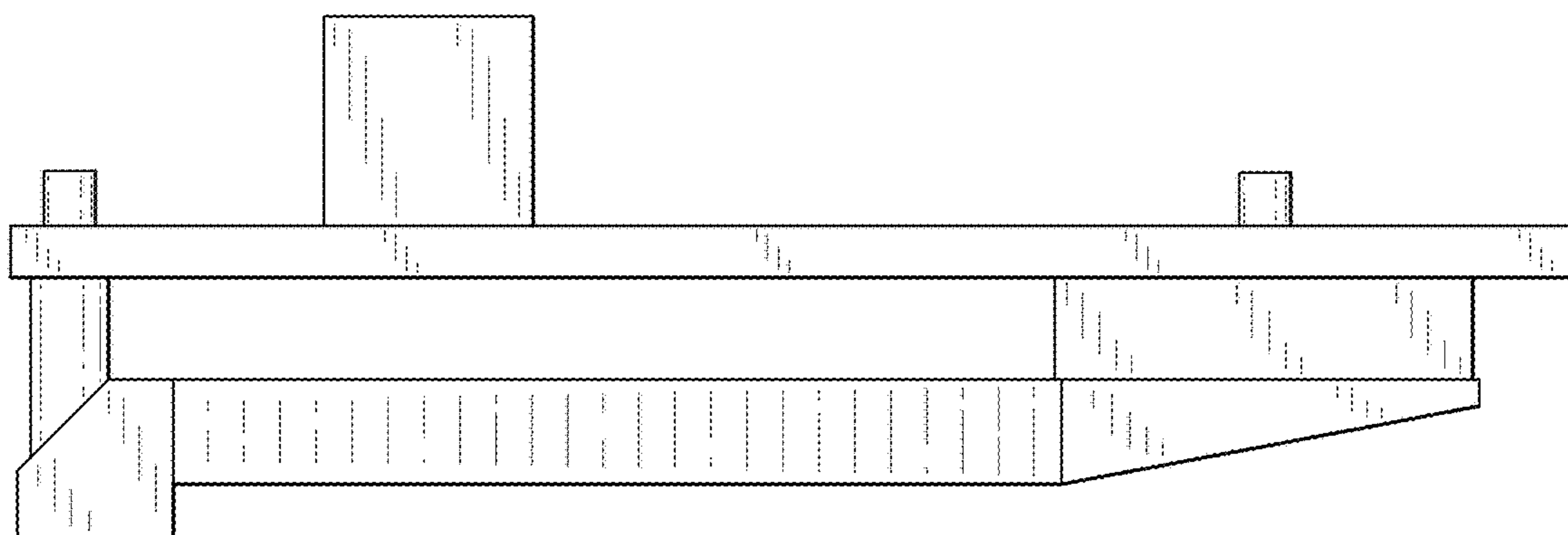
**FIG. 2**



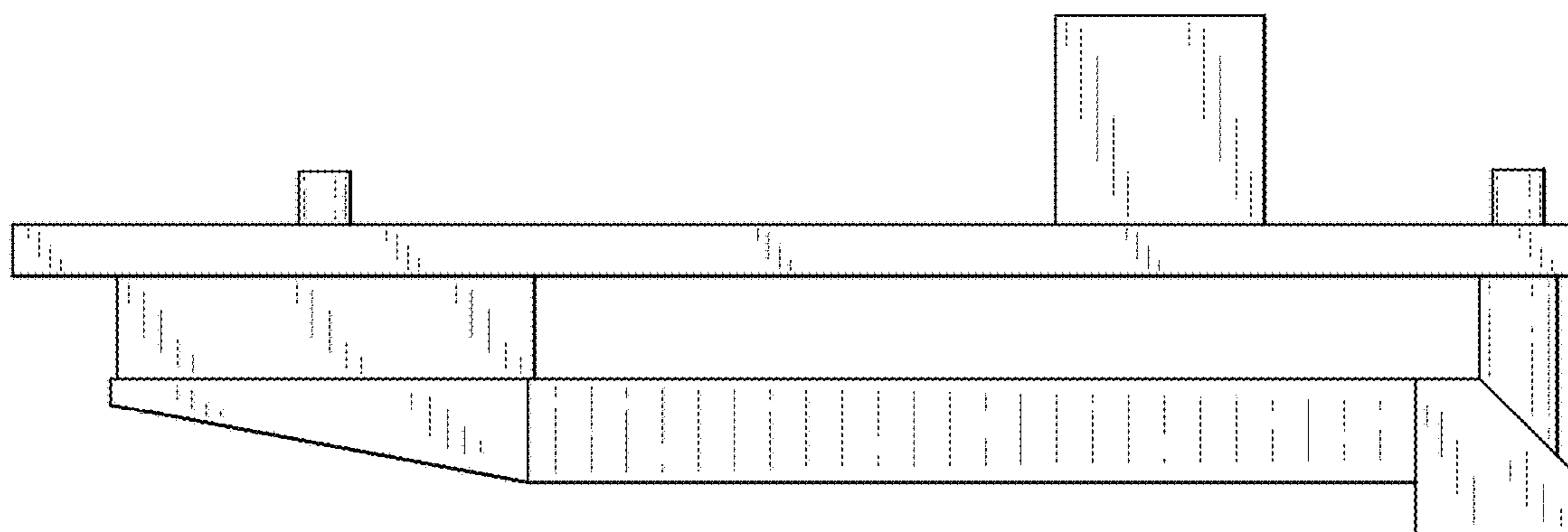
**FIG. 3**



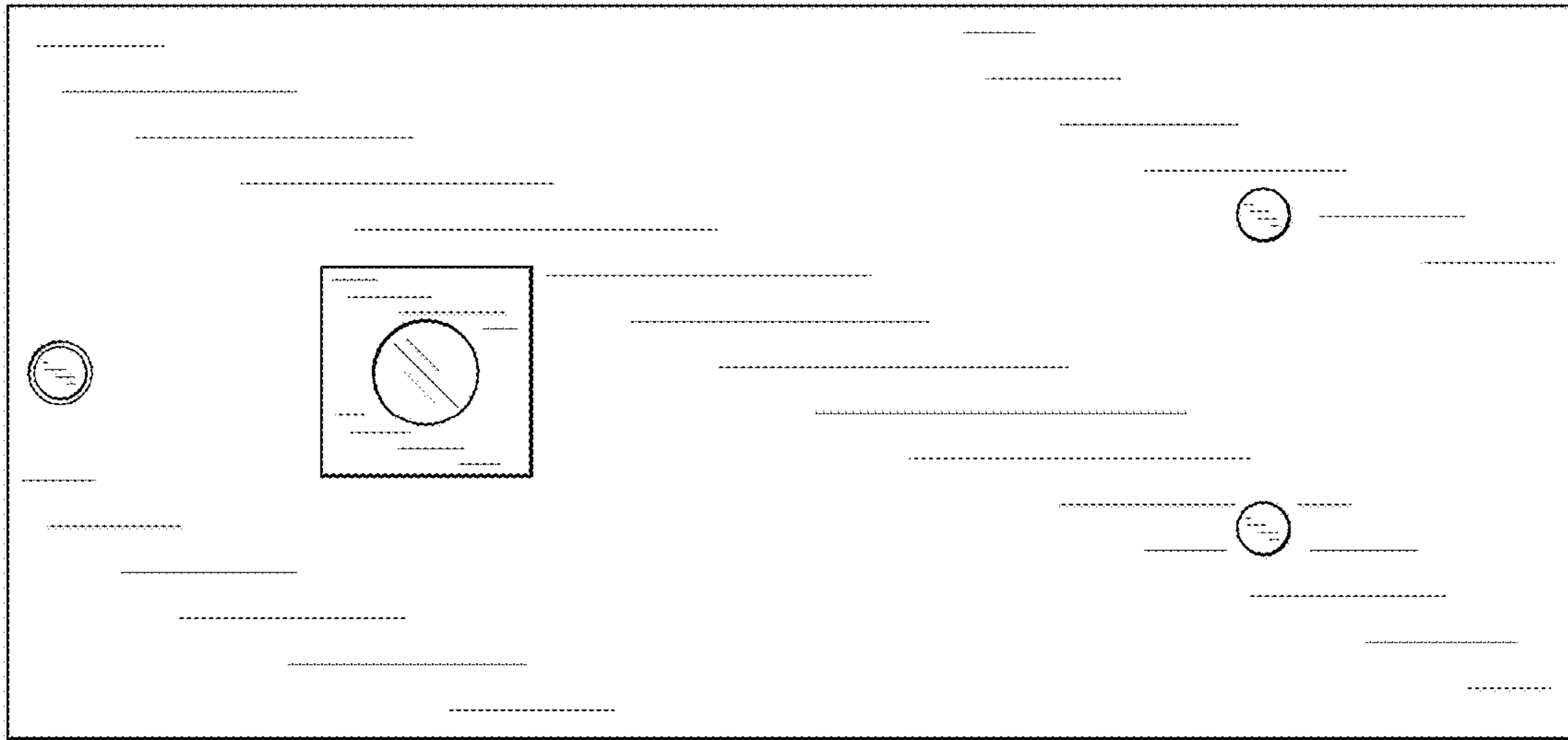
**FIG. 4**



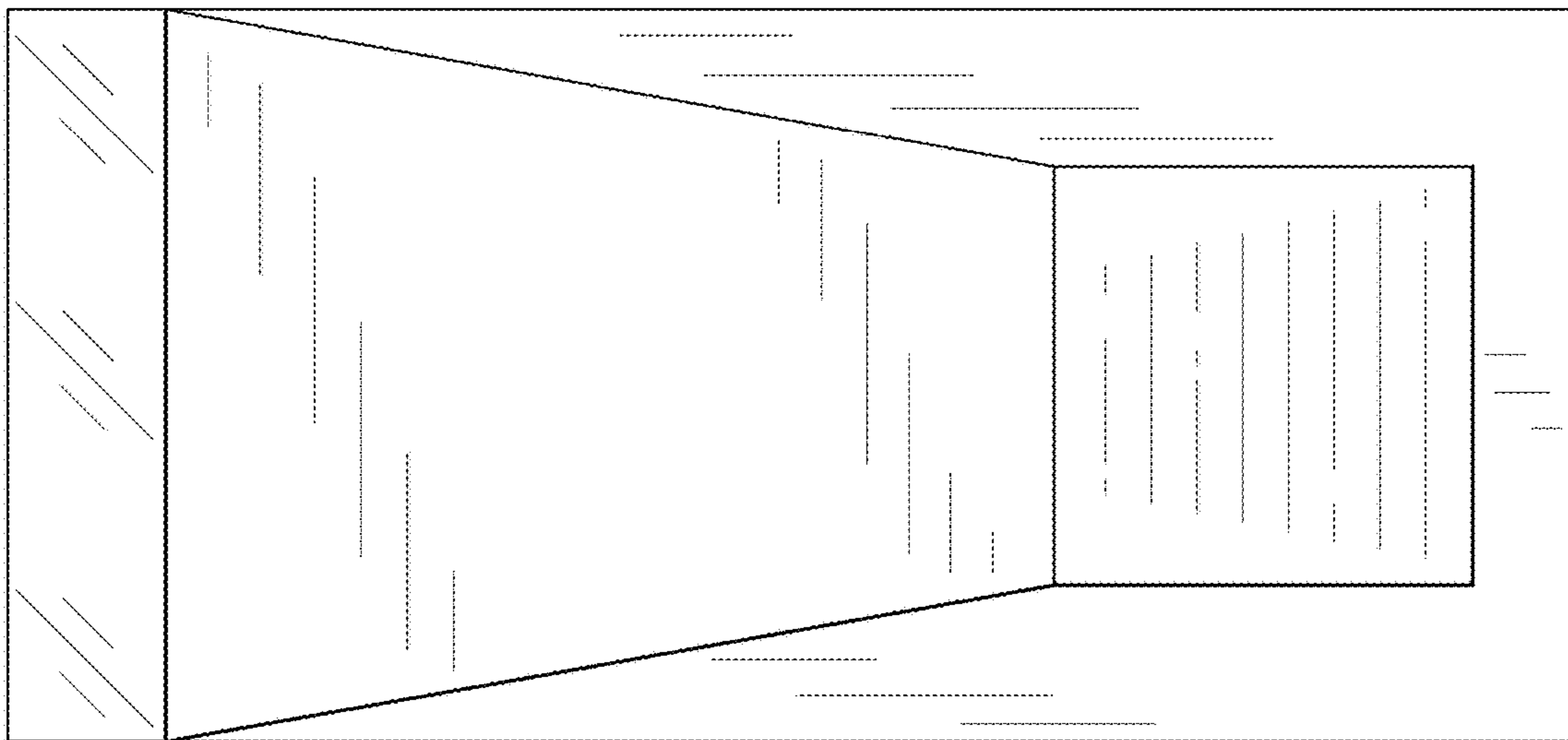
**FIG. 5**



**FIG. 6**



**FIG. 7**



**FIG. 8**