



US00D831233S

(12) **United States Design Patent**
Anderson et al.

(10) **Patent No.:** **US D831,233 S**
(45) **Date of Patent:** **** Oct. 16, 2018**

(54) **ROOFING PANEL**

4,499,700 A 2/1985 Gustafsson
5,076,037 A * 12/1991 Crick E04D 1/265
52/520

(71) Applicant: **Building Materials Investment Corporation**, Dallas, TX (US)

5,295,338 A 3/1994 Guffey et al.
(Continued)

(72) Inventors: **Eric R. Anderson**, Montclair, NJ (US);
Tommy Rodrigues, Nutley, NJ (US);
Sudhir Railkar, Wayne, NJ (US)

OTHER PUBLICATIONS

(73) Assignee: **Building Materials Investment Corporation**, Dallas, TX (US)

Architectural Shingle—Roof Shingles—Roofing (on-line), dated Jan. 16, 2017. Retrieved from Internet Jan. 23, 2018, URL: <https://web.archive.org/web/20170116002055/https://www.homedepot.com/b/Building-Materials-Roofing-Gutters-Roofing-Roof-Shingles/Architectural-Shingle//N-5yc1vZc5rbZ1z0ltv5> (1 page).*

(**) Term: **15 Years**

(Continued)

(21) Appl. No.: **29/594,062**

Primary Examiner — Vy N Koenig

(22) Filed: **Feb. 15, 2017**

Assistant Examiner — Kimberly Barnes

(51) **LOC (11) Cl.** **25-01**

(74) *Attorney, Agent, or Firm* — Womble Bond Dickinson (US) LLP

(52) **U.S. Cl.**

USPC **D25/141**

(58) **Field of Classification Search**

USPC D25/138–163
CPC E04D 1/00; E04D 1/02; E04D 1/06; E04D 1/12; E04D 1/18; E04D 1/26; E04D 3/00; E04D 3/02; E04D 3/16; E04D 3/24; E04D 3/30; E04D 3/361; E04D 3/362; E04D 3/363; E04D 3/364; E04D 3/368; E04D 2001/005; E04D 2001/3491; E04D 7/005; E04D 1/265; E04D 1/30; E04D 1/34; E04F 2201/0115; E04F 2201/0153; E04F 13/08; E04F 13/0837; E04F 13/0864; E04F 13/0894; E04B 1/70

See application file for complete search history.

(57) **CLAIM**

The ornamental design for a roofing panel, as shown and described.

DESCRIPTION

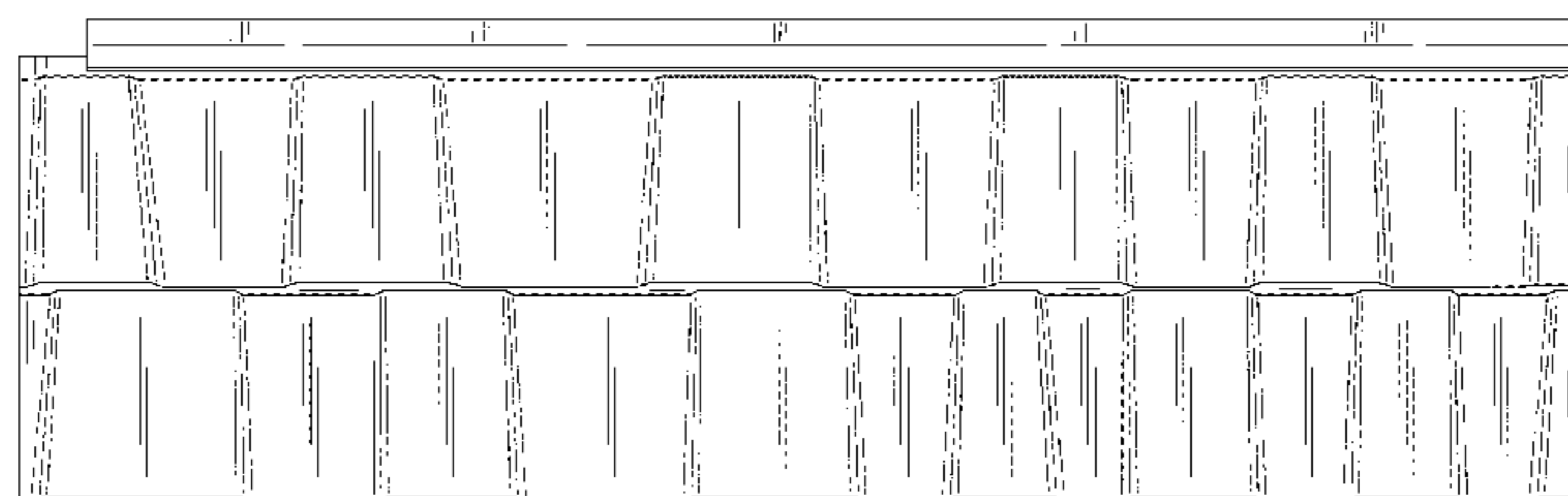
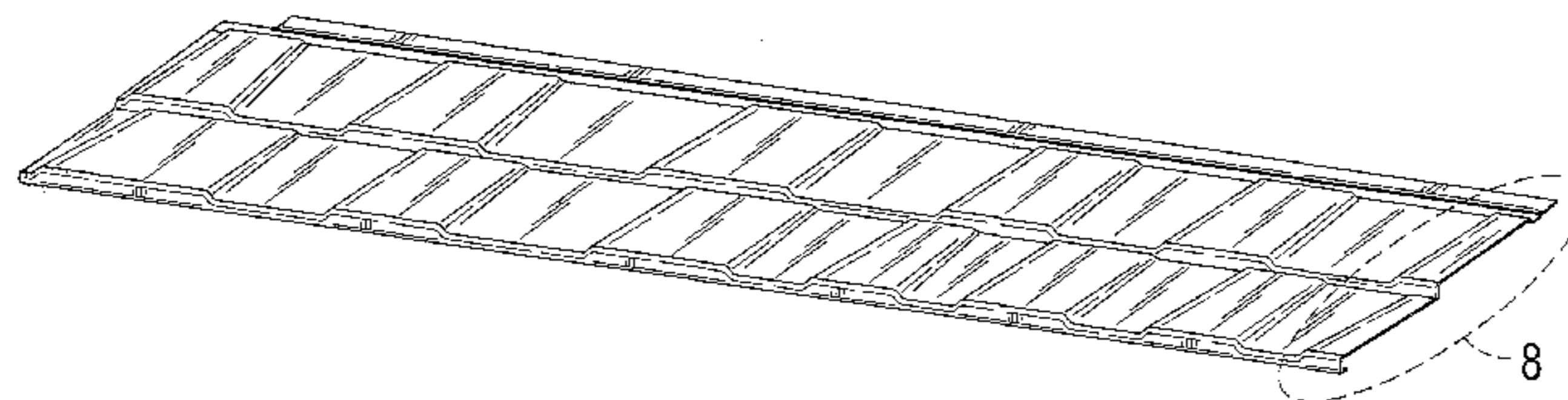
FIG. 1 is a perspective view of a roofing panel in accordance with our invention.
FIG. 2 is a bottom plan view of the roofing panel of FIG. 1.
FIG. 3 is a top plan view of the roofing panel of FIG. 1.
FIG. 4 is a front elevation view of the roofing panel of FIG. 1.
FIG. 5 is a rear elevation view of the roofing panel of FIG. 1.
FIG. 6 is an enlarged right side elevation view of the roofing panel of FIG. 1.
FIG. 7 is an enlarged left side elevation view of the roofing panel of FIG. 1; and,
FIG. 8 is an enlarged perspective view showing the right end portion of the roofing panel identified by numeral “8” in FIG. 1.

(56) **References Cited**

U.S. PATENT DOCUMENTS

1,329,794 A 2/1920 Moomaw
1,539,632 A 5/1925 Belding
2,042,890 A 6/1936 Fulenwinder et al.
3,380,214 A * 4/1968 Stevens E04D 1/265
52/478
4,189,889 A 2/1980 Yanoh

1 Claim, 4 Drawing Sheets



(56)

References Cited

U.S. PATENT DOCUMENTS

5,465,543 A 11/1995 Siefert
 5,752,355 A 5/1998 Sahramaa
 5,768,844 A 6/1998 Grace, Sr. et al.
 5,881,501 A 3/1999 Guffey et al.
 D414,568 S 9/1999 Hedges et al.
 6,272,807 B1 8/2001 Waldrop
 D449,121 S 10/2001 Hunter et al.
 D449,897 S * 10/2001 Croft D25/139
 D462,129 S * 8/2002 Sadosky, Jr. D25/141
 RE38,210 E 8/2003 Plath et al.
 6,647,687 B2 11/2003 Kern
 6,772,569 B2 8/2004 Bennett et al.
 6,857,239 B2 * 2/2005 Sadosky, Jr. B32B 3/12
 52/311.1
 6,907,701 B2 6/2005 Smith
 7,739,848 B2 6/2010 Trout
 D643,133 S 8/2011 Steffes et al.

D707,856 S 6/2014 Cochrane
 8,863,461 B2 * 10/2014 Wagner E04F 13/0837
 52/314
 D754,885 S * 4/2016 Rasmussen D25/139
 D765,272 S * 8/2016 Anderson D25/141
 D776,833 S * 1/2017 Rasmussen D25/139
 9,689,164 B2 * 6/2017 Rasmussen E04D 1/265
 D801,553 S * 10/2017 Luberda D25/139
 9,797,144 B2 * 10/2017 Maurer E04F 13/0846
 2007/0137132 A1 6/2007 Plowright
 2016/0222667 A1 * 8/2016 Anderson E04D 1/30

OTHER PUBLICATIONS

Owens Corning TruDefinition Duration Shingle Colors (on-line), dated Nov. 14, 2012. Retrieved from Internet Jan. 23, 2018, URL: <http://www.lsdgroofing.com/dallas-roofer/owens-corning-trudefinition-duration-shingle-colors/> (8 pages).*

* cited by examiner

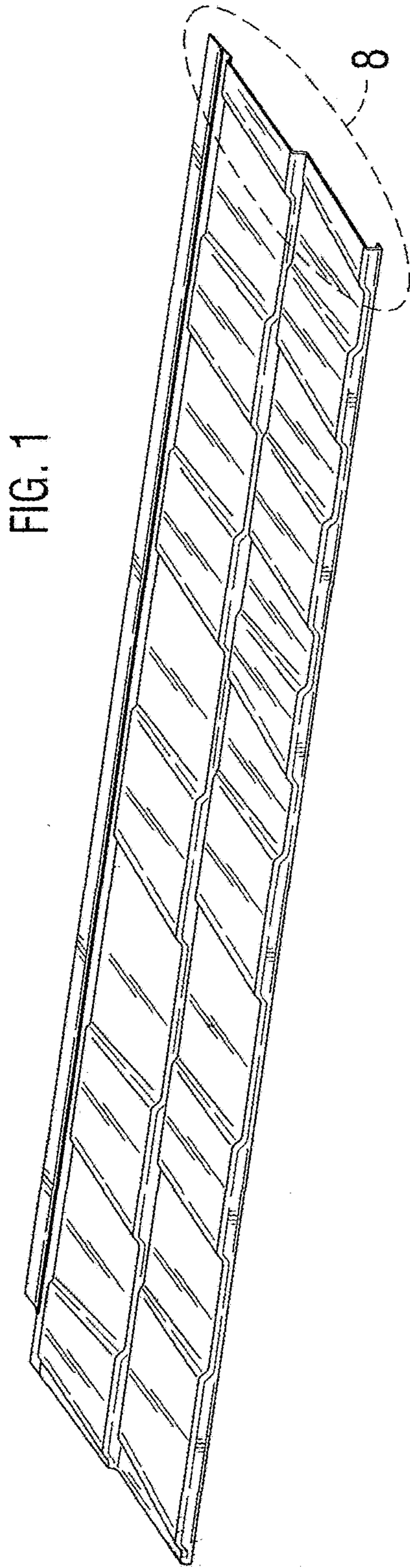


FIG. 4

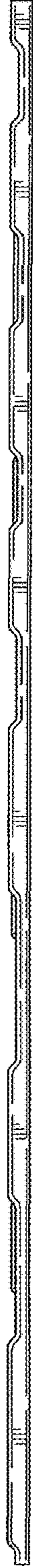


FIG. 5



FIG. 2

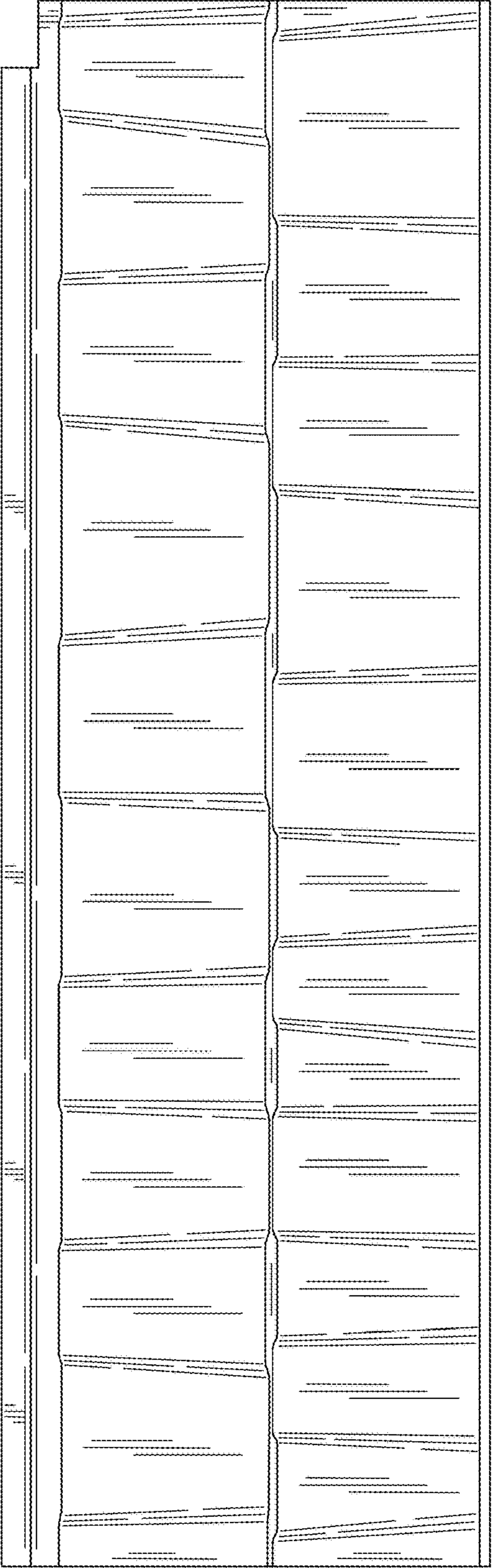


FIG. 6



FIG. 3

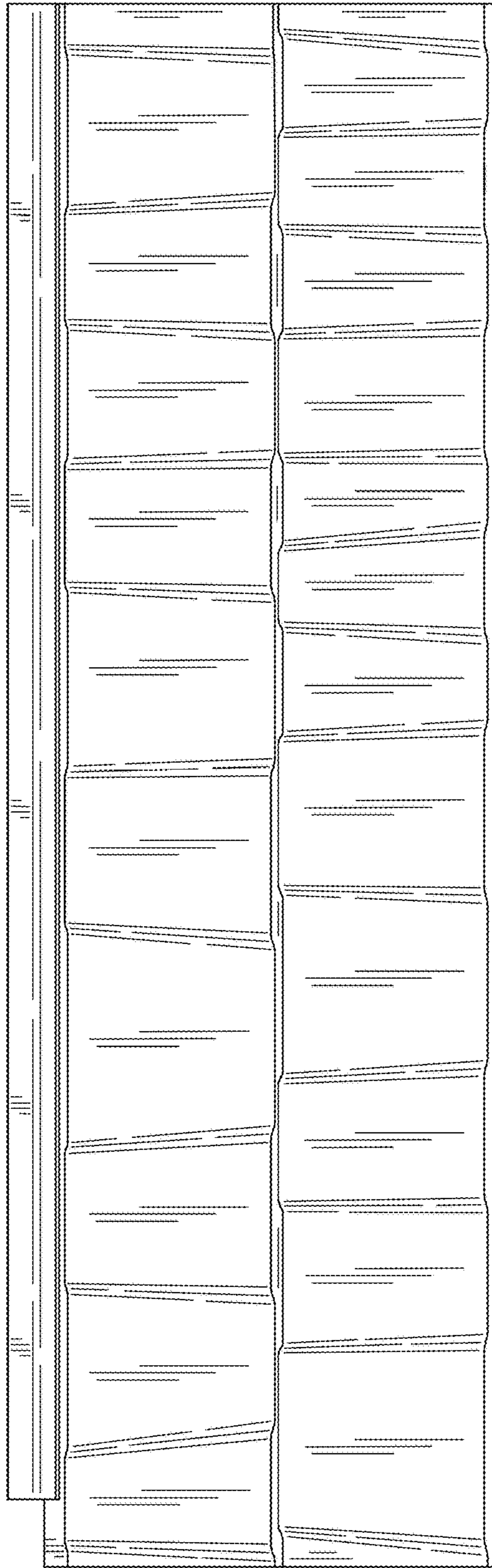


FIG. 7

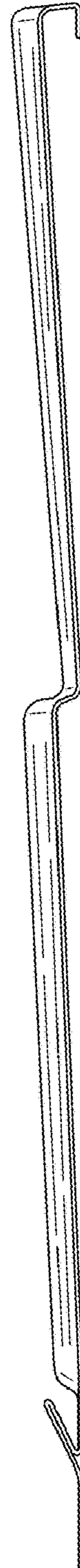


FIG. 8

