



US00D831231S

(12) **United States Design Patent** (10) **Patent No.:** **US D831,231 S**  
**Hynek et al.** (45) **Date of Patent:** **\*\* Oct. 16, 2018**

- (54) **TRIM REVEAL EXTRUSION**
- (71) Applicants: **Martin Hynek**, Plzen (CZ); **Tomas Keckstein**, Tlustice (CZ); **Petr Votapek**, Horepnik (CZ)
- (72) Inventors: **Martin Hynek**, Plzen (CZ); **Tomas Keckstein**, Tlustice (CZ); **Petr Votapek**, Horepnik (CZ)
- (73) Assignee: **UNIVERSITY OF WEST BOHEMIA**, Pilsen (CZ)
- (\*\*) Term: **15 Years**
- (21) Appl. No.: **29/618,055**
- (22) Filed: **Sep. 19, 2017**
- (51) **LOC (11) Cl.** ..... **25-01**
- (52) **U.S. Cl.**  
USPC ..... **D25/119**
- (58) **Field of Classification Search**  
USPC ..... D25/119-126, 136, 164, 199; D26/138; D8/349, 354, 376, 377, 380, 381, 382; D6/702, 705, 705.6, 709, 709.2, 712  
CPC ..... E06B 1/00; E06B 1/02; E06B 1/04; E06B 1/045; E06B 1/12; E06B 1/26; E06B 1/28; E06B 1/30; E06B 1/32; E06B 1/34; E06B 1/342; E06B 1/36; E06B 1/52; E06B 3/30; E06B 3/301; E06B 3/96; E06B 3/9604; E06B 3/9612; E06B 3/9628; E04C 2003/026; E04C 3/00; E04C 3/005; E04C 3/02; E04C 3/04; E04F 19/02; E04F 19/022; E04F 19/024; E04F 19/026; E04F 19/028; E04F 19/04; E04F 19/0436; E04F 19/0459; E04F 19/0463; E04F 19/0468; E04F 19/0481; E04F 19/0486; E04F 19/049; E04F 19/0495; E04F 19/06; E04F 19/061; E04F 19/062; E04F 19/063; E04F 19/064; E04F

19/065; E04F 19/066; E04F 19/067; E04F 19/068; E04F 2019/0413; E04F 2019/0454  
 See application file for complete search history.

(56) **References Cited**

U.S. PATENT DOCUMENTS

D386,431 S *	11/1997	Nagai .....	D10/85
D417,737 S *	12/1999	Stansfield .....	D25/121
7,645,051 B2 *	1/2010	Schultz .....	E04F 19/026 362/145
D641,101 S *	7/2011	Radchenko .....	D26/138
7,971,400 B2 *	7/2011	Boldt .....	E06B 1/32 52/204.1
D659,856 S *	5/2012	Kligman .....	D25/136
D666,309 S *	8/2012	Zhao .....	D25/124
D666,310 S *	8/2012	Zhao .....	D25/124
D666,311 S *	8/2012	Zhao .....	D25/124
D666,312 S *	8/2012	Zhao .....	D25/124
D672,888 S *	12/2012	Veryser .....	D25/124
D674,219 S *	1/2013	Kim .....	D6/702

(Continued)

*Primary Examiner* — Cynthia Ramirez  
*Assistant Examiner* — L. Martinez-Rivera

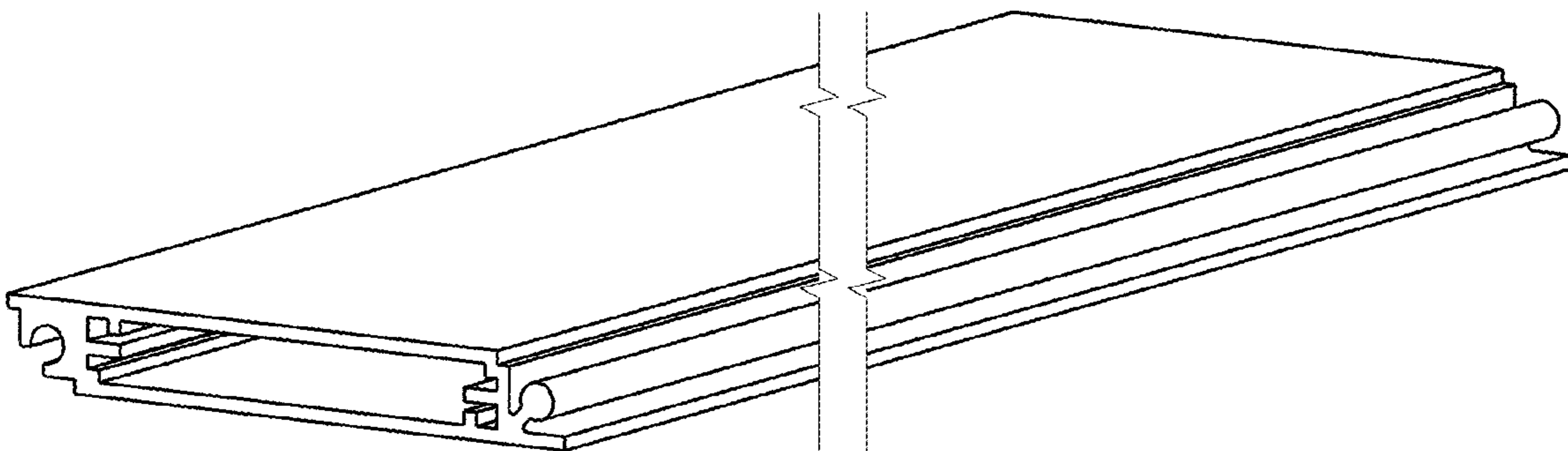
(57) **CLAIM**

The ornamental design for a trim reveal extrusion, as shown and described.

**DESCRIPTION**

FIG. 1 is a top, front, left perspective view of a trim reveal extrusion showing my new design; FIG. 2 is a cross-sectional view thereof; and, FIG. 3 is a left view therefor, showing the trim reveal extrusion in an environment of use. The dashed lines are for environmental purposes only and form no part of the claimed design. The trim reveal extrusion is shown with a symbolic break in its length. The appearance of any portion of the trim reveal extrusion between the jagged break lines form no part of the claimed design.

**1 Claim, 1 Drawing Sheet**



(56)

**References Cited**

U.S. PATENT DOCUMENTS

8,973,315	B2 *	3/2015	Massey .....	E06B 1/36 52/204.53
9,080,331	B2 *	7/2015	Aboukhalil .....	E04F 19/064
9,140,008	B2 *	9/2015	Beaty .....	E06B 1/36
9,157,233	B2 *	10/2015	Gosain .....	E06B 1/02
9,187,945	B2 *	11/2015	Back .....	E06B 1/52
9,512,666	B2 *	12/2016	Reyher .....	E06B 1/36
9,874,052	B2 *	1/2018	Gilkey .....	E06B 1/36

\* cited by examiner

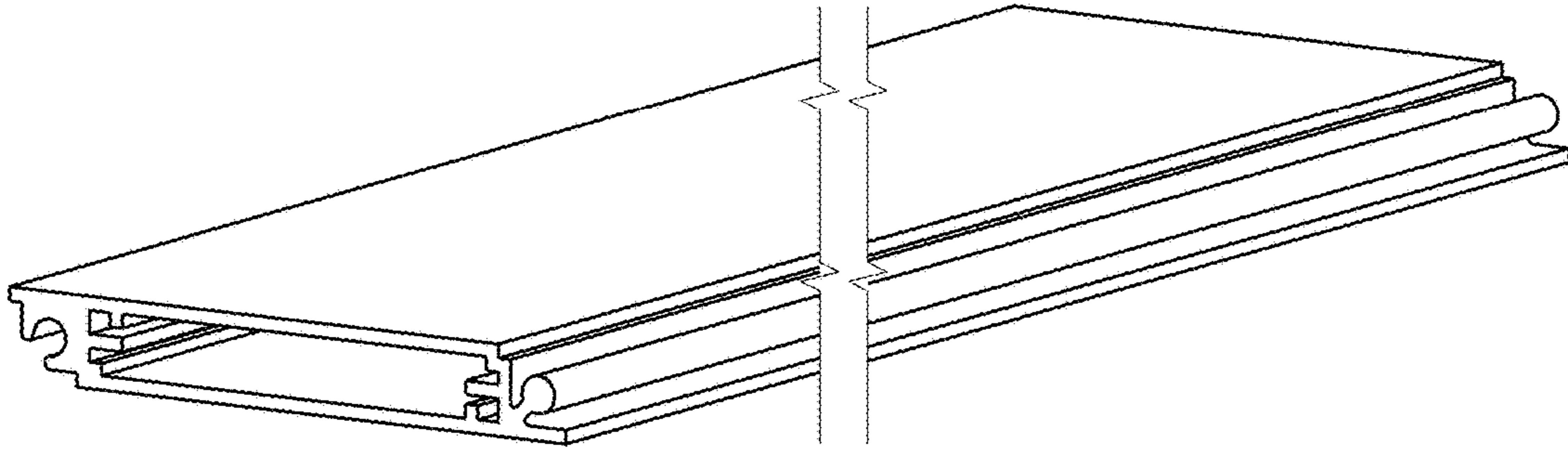


FIG. 1

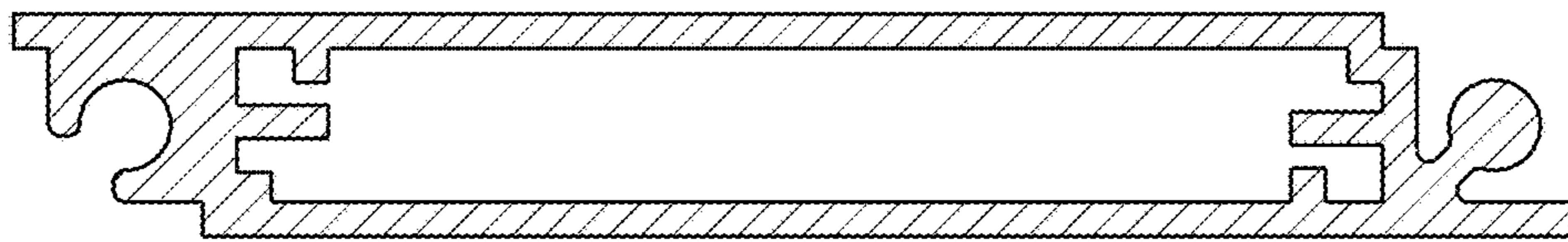


FIG. 2

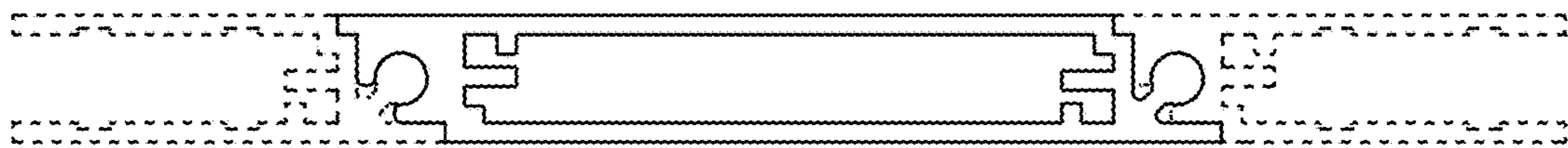


FIG. 3