



US00D831230S

(12) **United States Design Patent** (10) **Patent No.:** **US D831,230 S**  
**Hynek et al.** (45) **Date of Patent:** **\*\* Oct. 16, 2018**

(54) **TRIM REVEAL EXTRUSION**

(71) Applicants: **Martin Hynek**, Plzen (CZ); **Tomas Keckstein**, Tlustice (CZ); **Petr Votapek**, Horepnik (CZ)

(72) Inventors: **Martin Hynek**, Plzen (CZ); **Tomas Keckstein**, Tlustice (CZ); **Petr Votapek**, Horepnik (CZ)

(73) Assignee: **UNIVERSITY OF WEST VIRGINIA**, Pilsen (CZ)

(\*\*) Term: **15 Years**

(21) Appl. No.: **29/618,054**

(22) Filed: **Sep. 19, 2017**

(51) **LOC (11) Cl.** ..... **25-01**

(52) **U.S. Cl.**  
USPC ..... **D25/119**

(58) **Field of Classification Search**  
USPC ..... D25/119–126, 136, 164, 199; D26/138; D8/349, 354, 376, 377, 380, 381, 382; D6/702, 705, 705.6, 709, 709.2, 712  
CPC ..... E04F 19/02; E04F 19/022; E04F 19/024; E04F 19/026; E04F 19/028; E04F 19/04; E04F 19/0436; E04F 19/0459; E04F 19/0463; E04F 19/0468; E04F 19/0481; E04F 19/0486; E04F 19/049; E04F 19/0495; E04F 19/06; E04F 19/061; E04F 19/062; E04F 19/063; E04F 19/064; E04F 19/065; E04F 19/066; E04F 19/067; E04F 19/068; E04F 2019/0413; E04F 2019/0454; E06B 1/00; E06B 1/02; E06B 1/04; E06B 1/045; E06B 1/12; E06B 1/26; E06B 1/28; E06B 1/30; E06B 1/32; E06B 1/34; E06B 1/342; E06B 1/36; E06B 1/52; E06B 3/30; E06B 3/301; E06B 3/96; E06B 3/9604; E06B 3/9612;

E06B 3/9628; E04C 2003/026; E04C 3/00; E04C 3/005; E04C 3/02; E04C 3/04  
See application file for complete search history.

(56) **References Cited**

U.S. PATENT DOCUMENTS

D386,431	S	*	11/1997	Nagai	.....	D25/124
D417,737	S	*	12/1999	Stansfield	.....	D25/121
7,645,051	B2	*	1/2010	Schultz	.....	E04F 19/026
						362/145
D641,101	S	*	7/2011	Radchenko	.....	D26/138
7,971,400	B2	*	7/2011	Boldt	.....	E06B 1/30
						52/204.1
D659,856	S	*	5/2012	Kligman	.....	D25/136
D666,309	S	*	8/2012	Zhao	.....	D25/124
D666,310	S	*	8/2012	Zhao	.....	D25/124
D666,311	S	*	8/2012	Zhao	.....	D25/124
D666,312	S	*	8/2012	Zhao	.....	D25/124
D672,888	S	*	12/2012	Veryser	.....	D25/124
D674,219	S	*	1/2013	Kim	.....	D6/702

(Continued)

*Primary Examiner* — Cynthia Ramirez  
*Assistant Examiner* — L. Martinez-Rivera

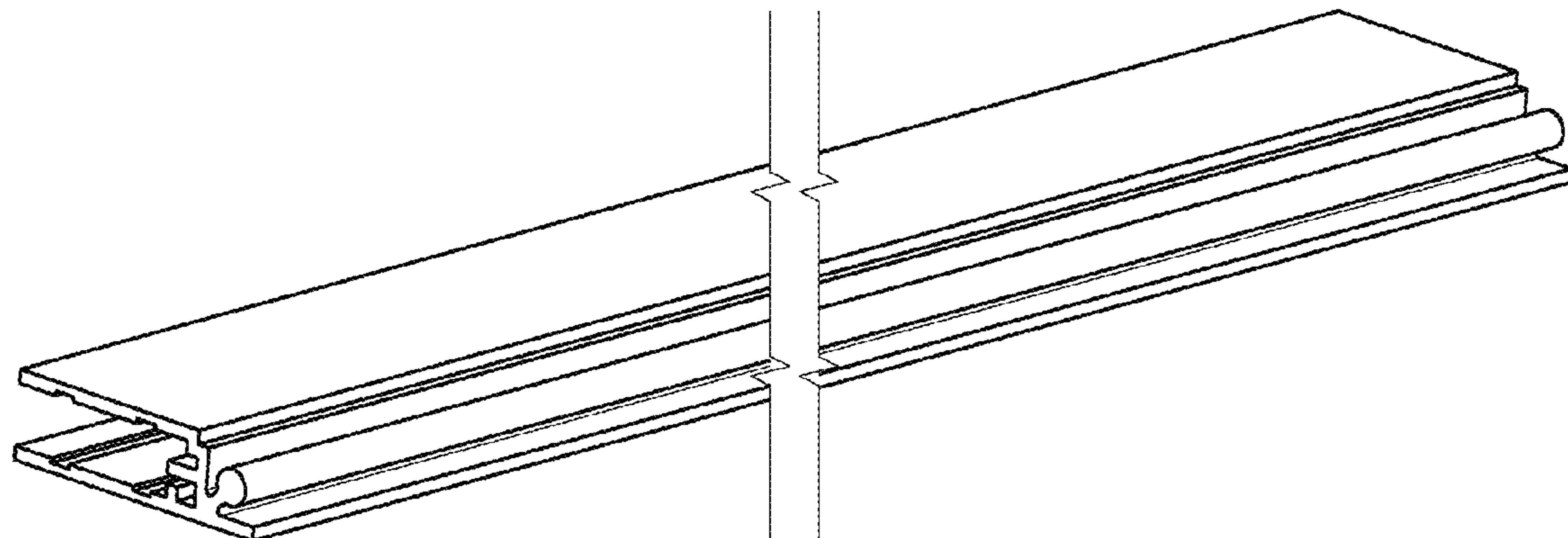
(57) **CLAIM**

The ornamental design for a trim reveal extrusion, as shown and described.

**DESCRIPTION**

FIG. 1 is a top, front, left perspective view of a trim reveal extrusion showing my new design; FIG. 2 is a cross-sectional view thereof; and, FIG. 3 is a left side view thereof, showing the trim reveal extrusion of FIG. 1 in an environment of use. The dashed lines are for environmental purposes only and form no part of the claimed design. The trim reveal extrusion is shown with a symbolic break in its length. The appearance of any portion of the trim reveal extrusion between the jagged break lines form no part of the claimed design.

**1 Claim, 1 Drawing Sheet**



(56)

**References Cited**

U.S. PATENT DOCUMENTS

8,973,315	B2 *	3/2015	Massey .....	E06B 1/36 52/204.53
9,080,331	B2 *	7/2015	Aboukhalil .....	E04F 19/064
9,140,008	B2 *	9/2015	Beaty .....	E06B 1/34
9,157,233	B2 *	10/2015	Gosain .....	E06B 1/02
9,187,945	B2 *	11/2015	Back .....	E06B 1/52
9,512,666	B2 *	12/2016	Reyher .....	E06B 1/36
9,874,052	B2 *	1/2018	Gilkey .....	E06B 1/36

\* cited by examiner

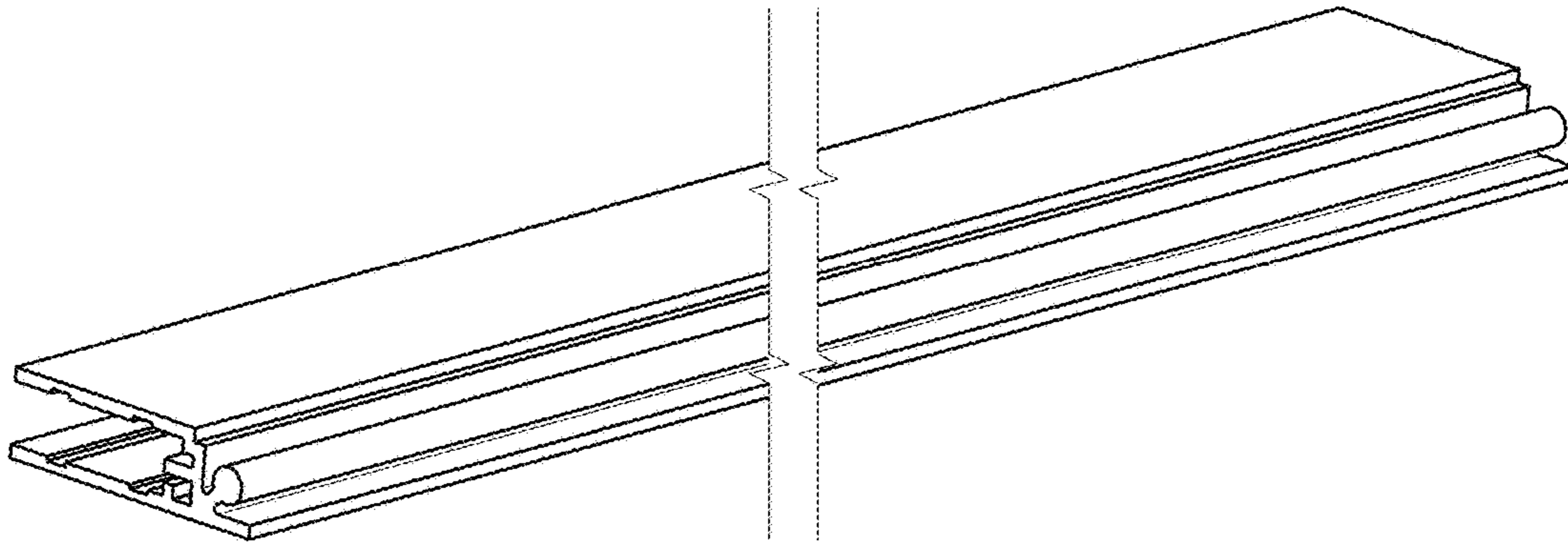


FIG. 1

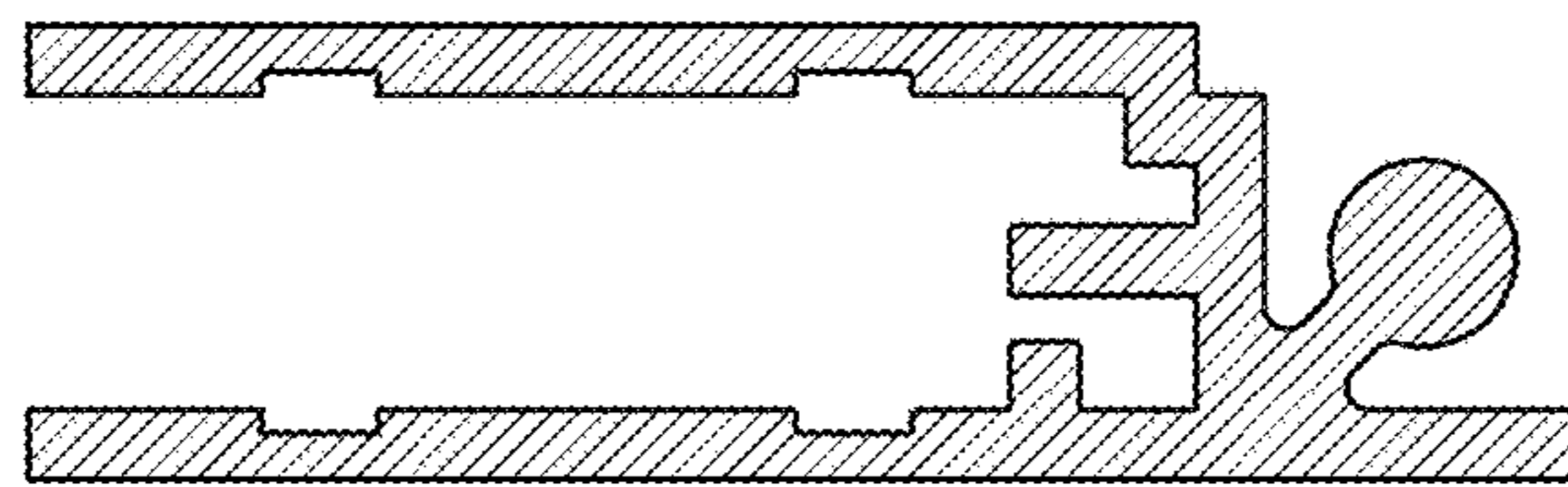


FIG. 2

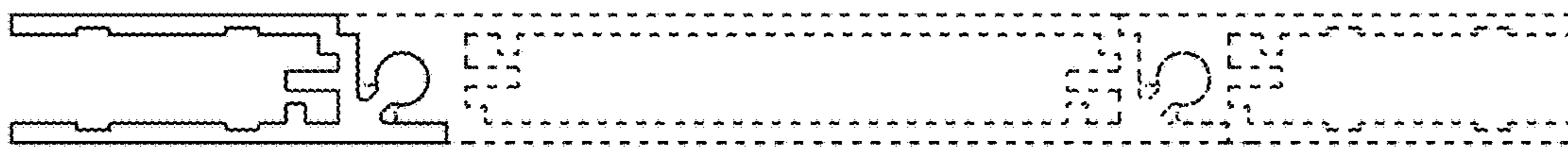


FIG. 3