

US00D831229S

(12) **United States Design Patent** (10) **Patent No.:** **US D831,229 S**
Bradley (45) **Date of Patent:** **** Oct. 16, 2018**

(54) **T POST SUPPORT STEP**

(71) Applicant: **Michael Morrison Bradley**,
Fayetteville, AR (US)

(72) Inventor: **Michael Morrison Bradley**,
Fayetteville, AR (US)

(**) Term: **15 Years**

(21) Appl. No.: **29/575,759**

(22) Filed: **Aug. 29, 2016**

(51) **LOC (11) Cl.** **25-04**

(52) **U.S. Cl.**
USPC **D25/69**

(58) **Field of Classification Search**
USPC D8/349, 354, 356, 363, 364, 380-383,
D8/394, 397, 399, 395, 303; D12/202,
D12/223; 248/218.4; 182/92; D25/69;
256/65.03
CPC E04H 17/20; E04H 2017/006; E04H
12/2253; E04H 12/2276
See application file for complete search history.

(56) **References Cited**

U.S. PATENT DOCUMENTS

D229,631 S * 12/1973 Smith D25/69
D315,861 S * 4/1991 Sachs 248/301
D331,186 S * 11/1992 Sachs D8/380
D618,992 S * 7/2010 Rix D8/354
D633,779 S * 3/2011 Bennett D8/354
D644,743 S * 9/2011 Lopez E04F 11/175
D760,066 S * 6/2016 Krenk D25/69
D8/354

D787,916 S * 5/2017 Yuan D12/223
2012/0261634 A1* 10/2012 Graves E04H 17/20
256/65.03
2015/0082735 A1* 3/2015 Truckner E04B 1/2608
52/655.1

* cited by examiner

Primary Examiner — Cynthia Ramirez
Assistant Examiner — Michael A Maharajh
(74) *Attorney, Agent, or Firm* — Keisling & Pieper PLC;
David B. Pieper

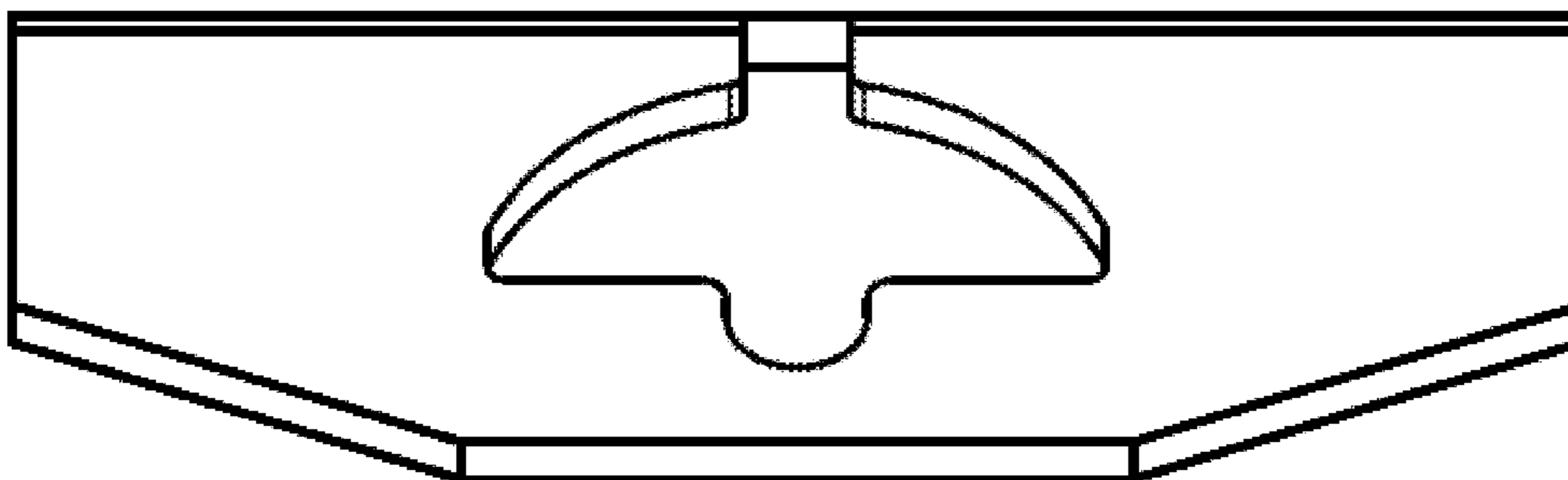
(57) **CLAIM**

The ornamental design for a T post support step, as shown and described.

DESCRIPTION

FIG. 1 is a back view of the T post support step showing my new design;
FIG. 2 is a left side view thereof;
FIG. 3 is a top view thereof;
FIG. 4 is a right side view thereof;
FIG. 5 is a front view thereof;
FIG. 6 is a bottom view thereof;
FIG. 7 is a top perspective view;
FIG. 8 is a bottom perspective view;
FIG. 9 is a perspective view in condition of use;
FIG. 10 is another perspective view in condition of use;
FIG. 11 is another perspective view in condition of use; and,
FIG. 12 is another perspective view of use.
The broken lines showing the T post and the cylindrical post are for the purpose of illustrating environmental structure and form no part of the claimed design.

1 Claim, 3 Drawing Sheets



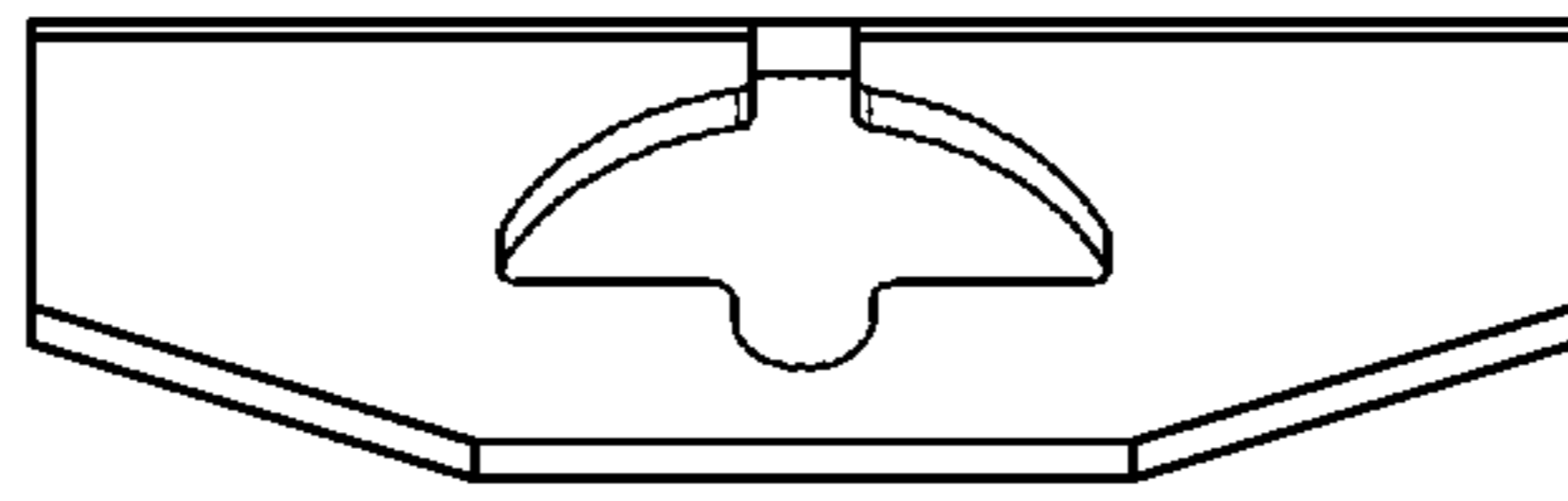


FIG. 1

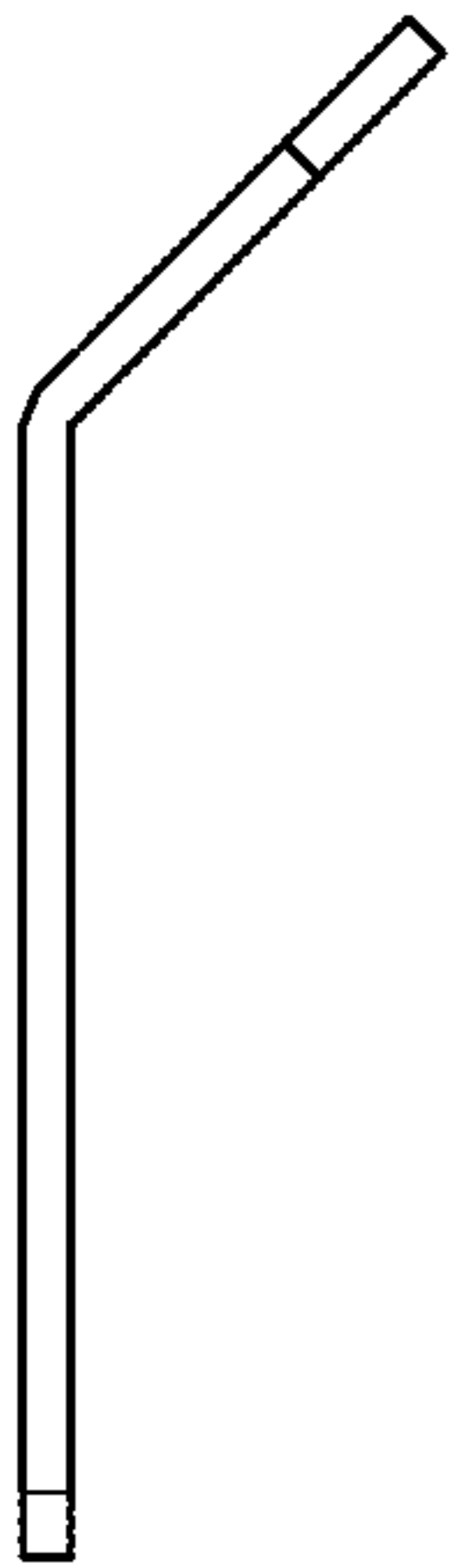


FIG. 2

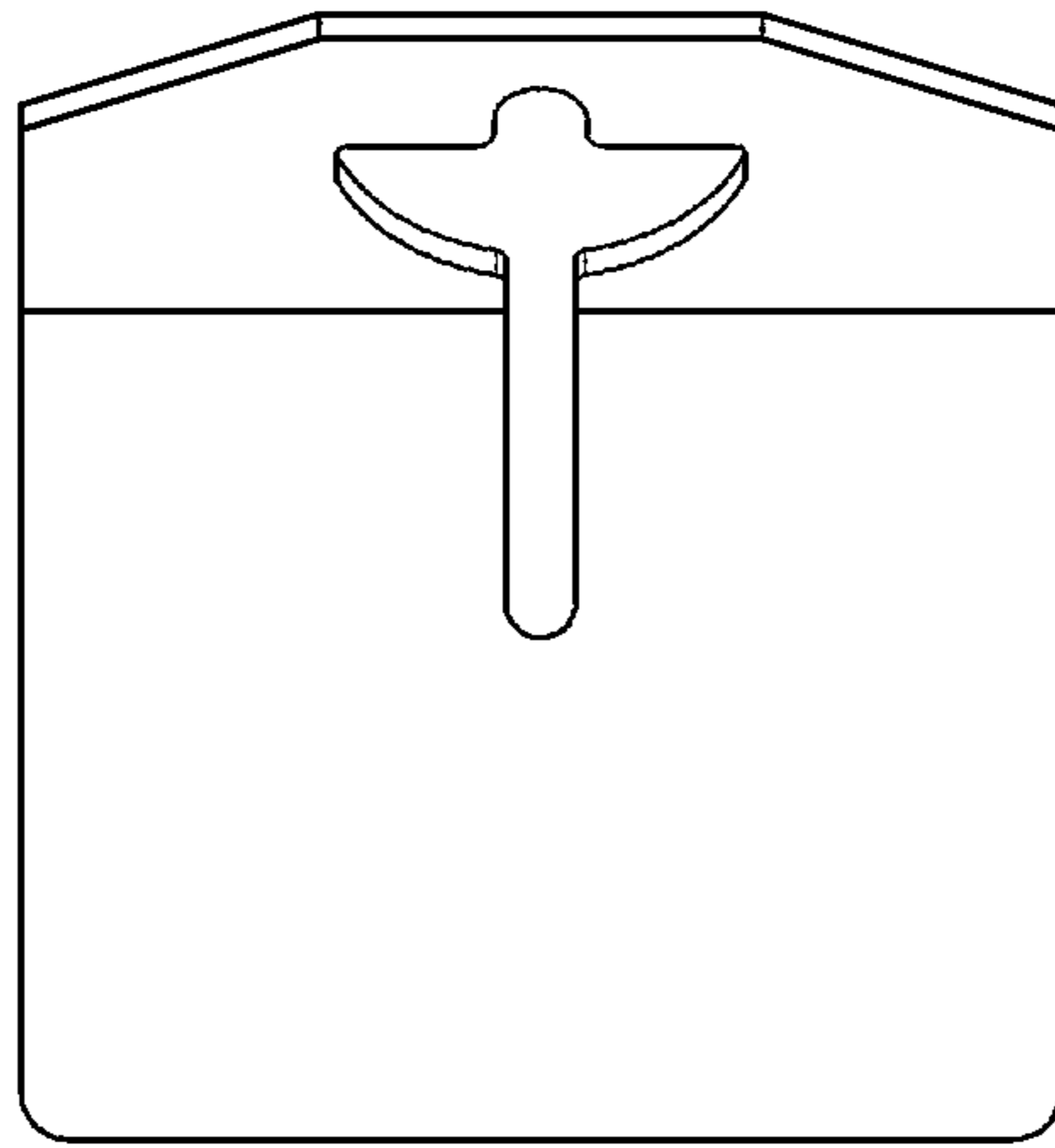


FIG. 3

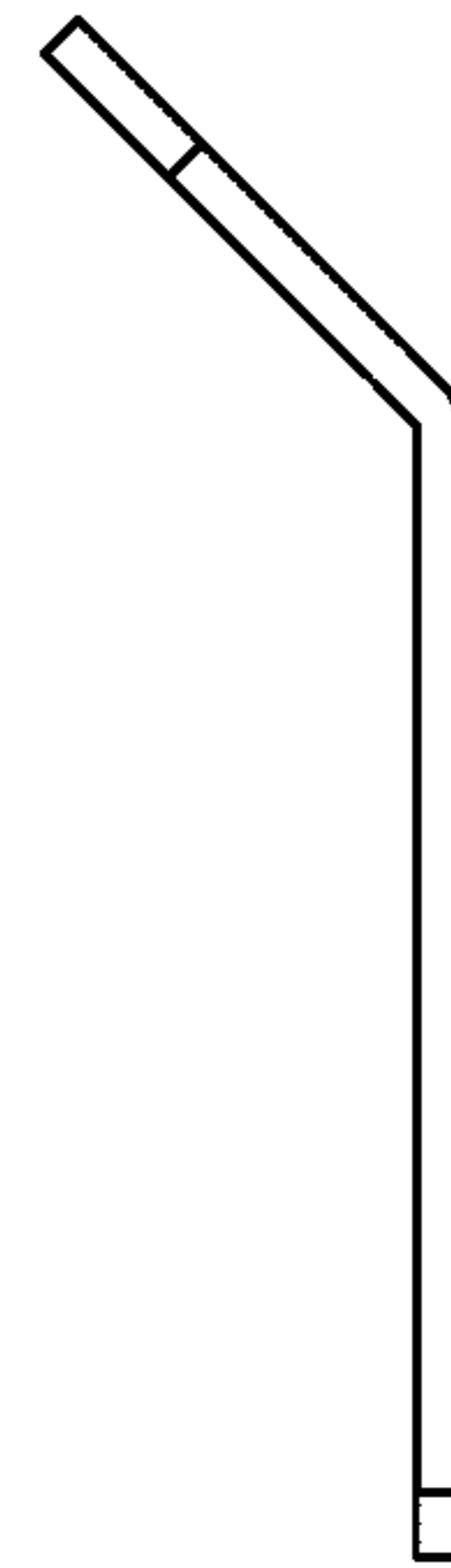


FIG. 4

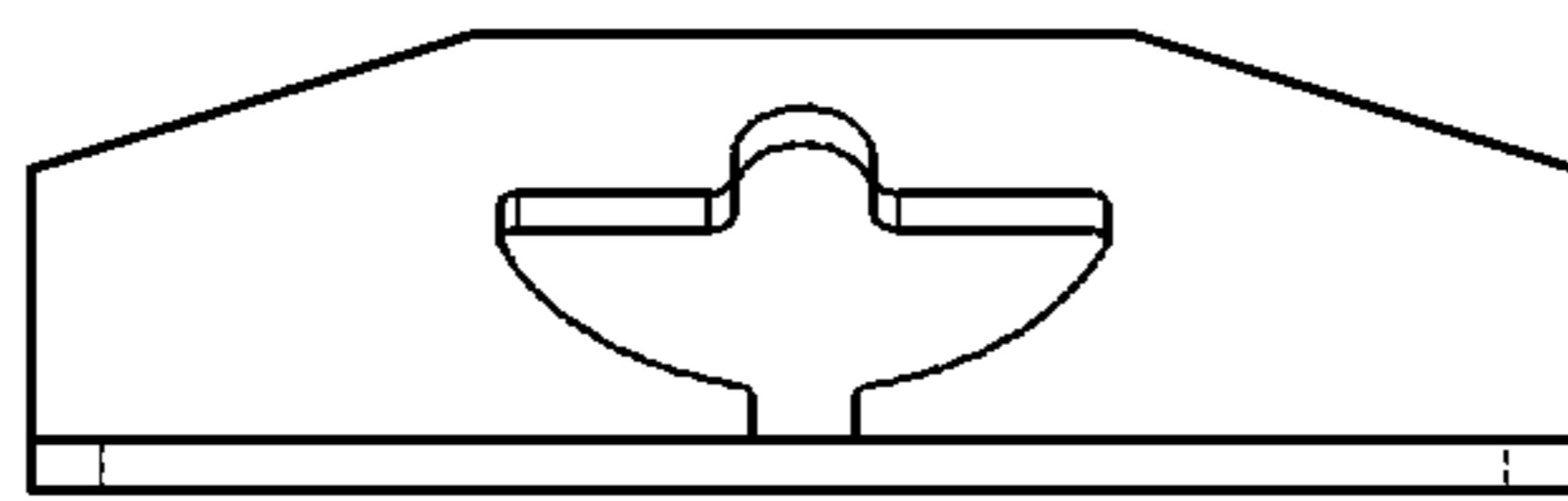


FIG. 5

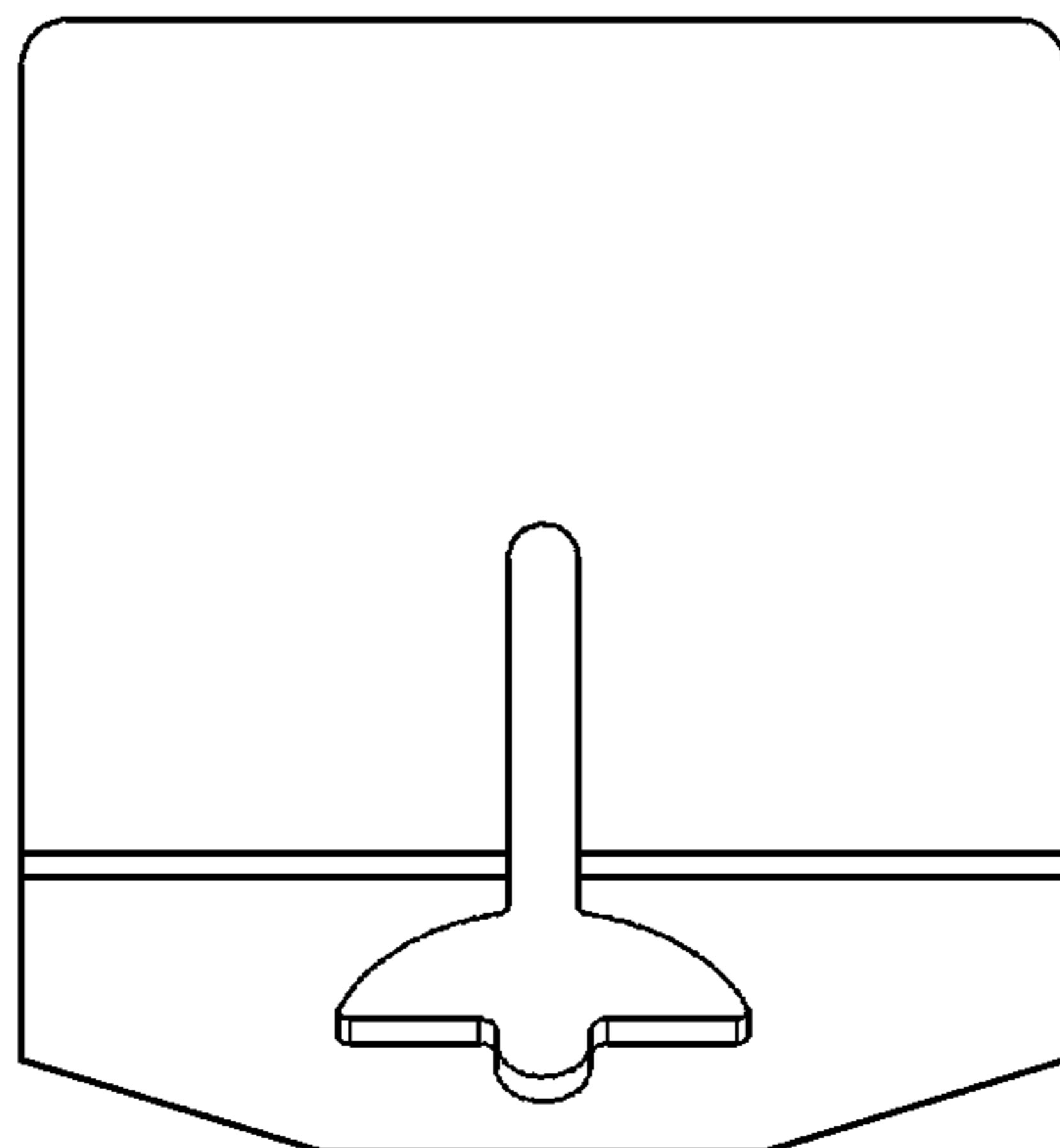


FIG. 6

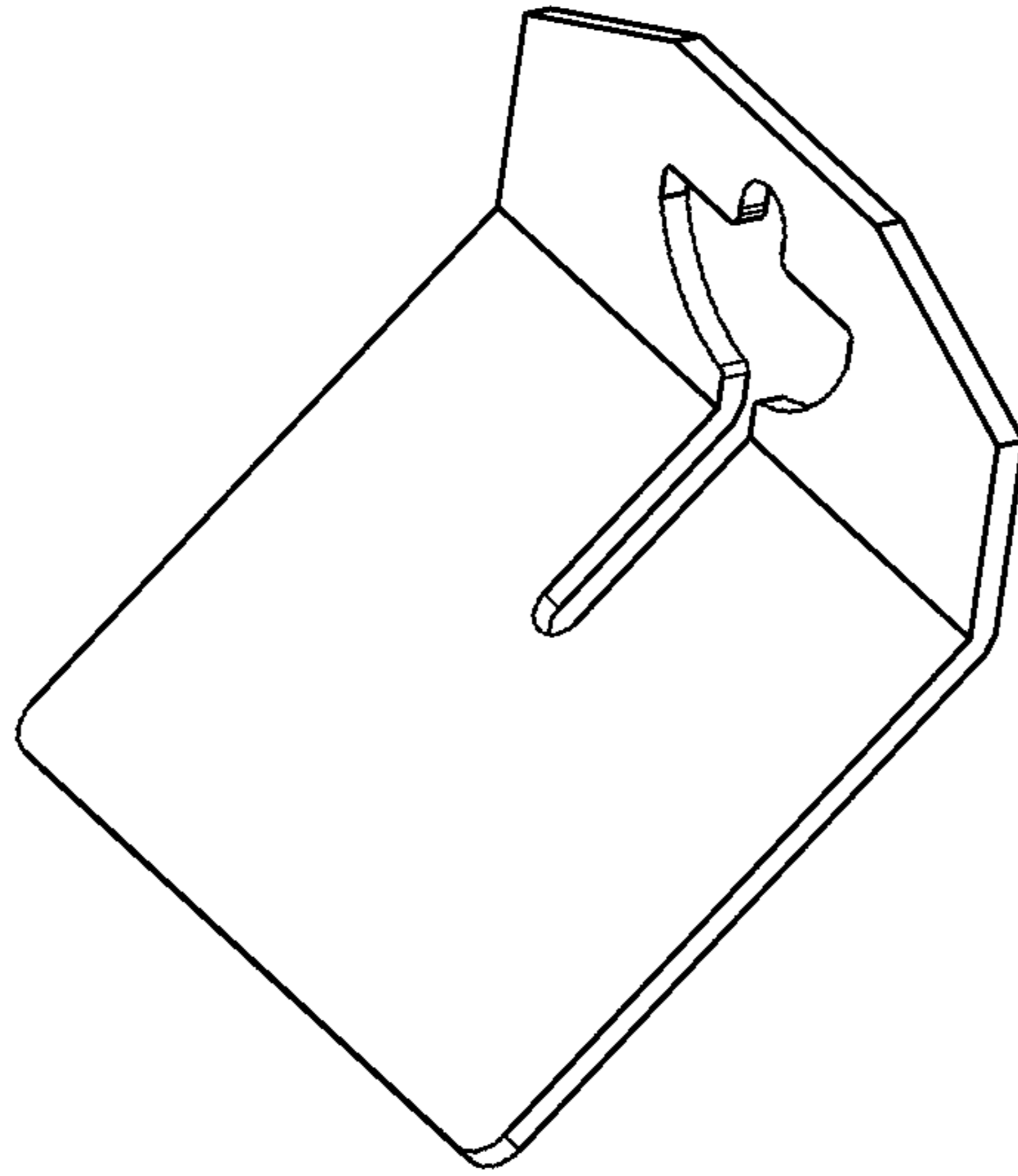


FIG. 7

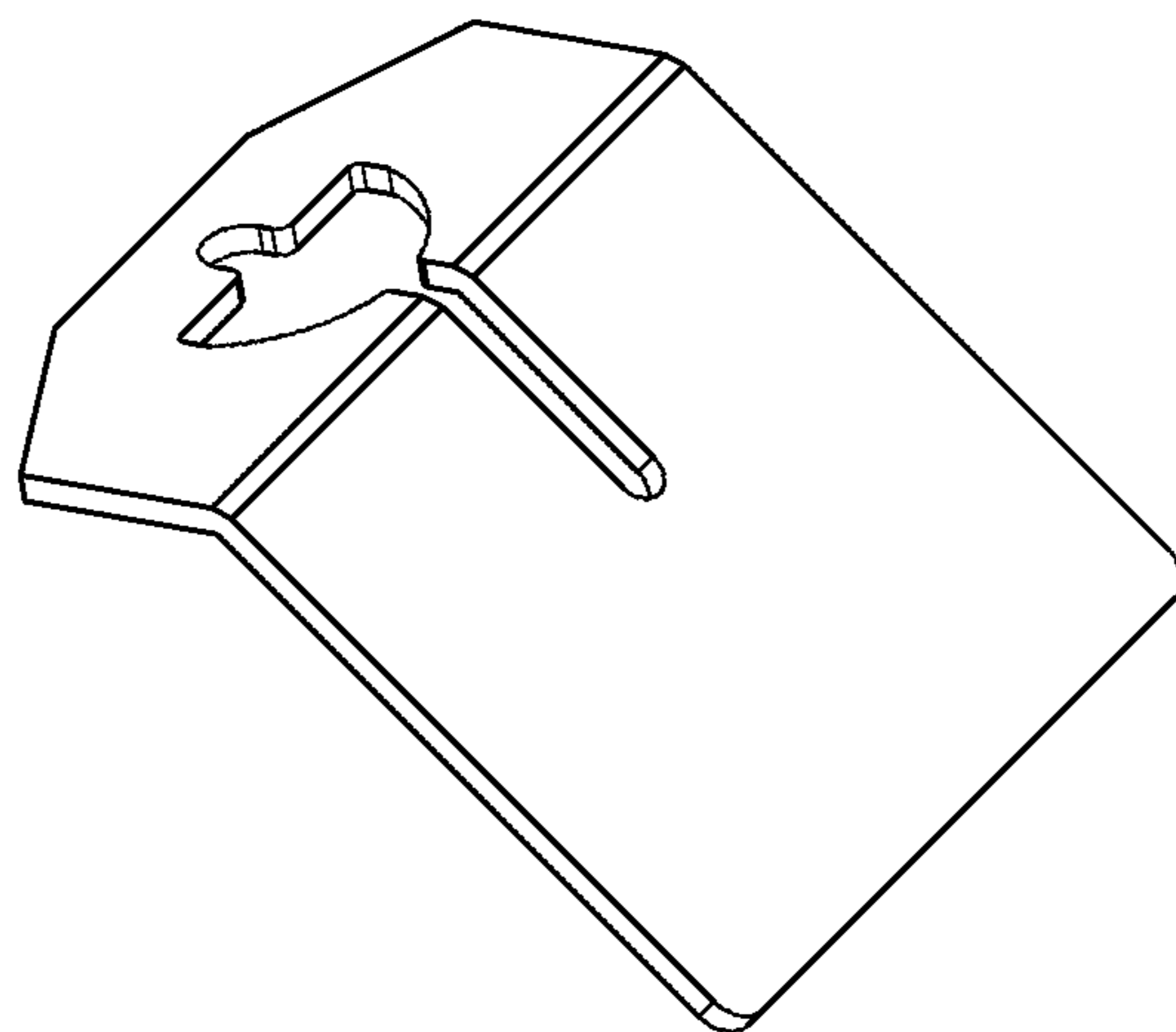


FIG. 8

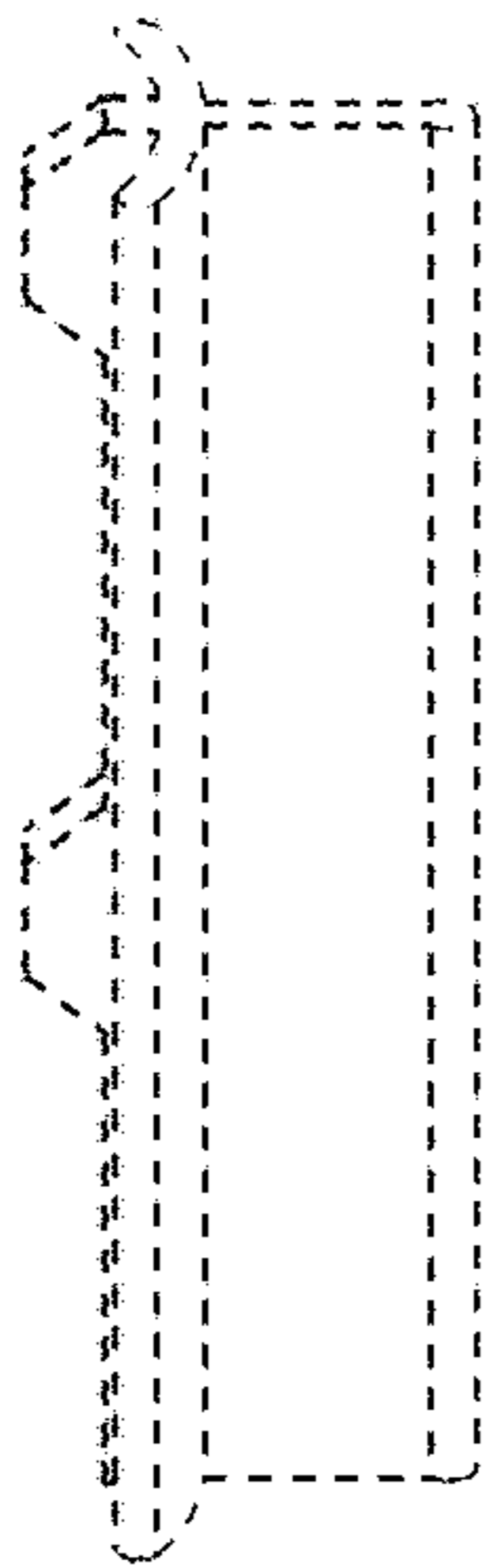
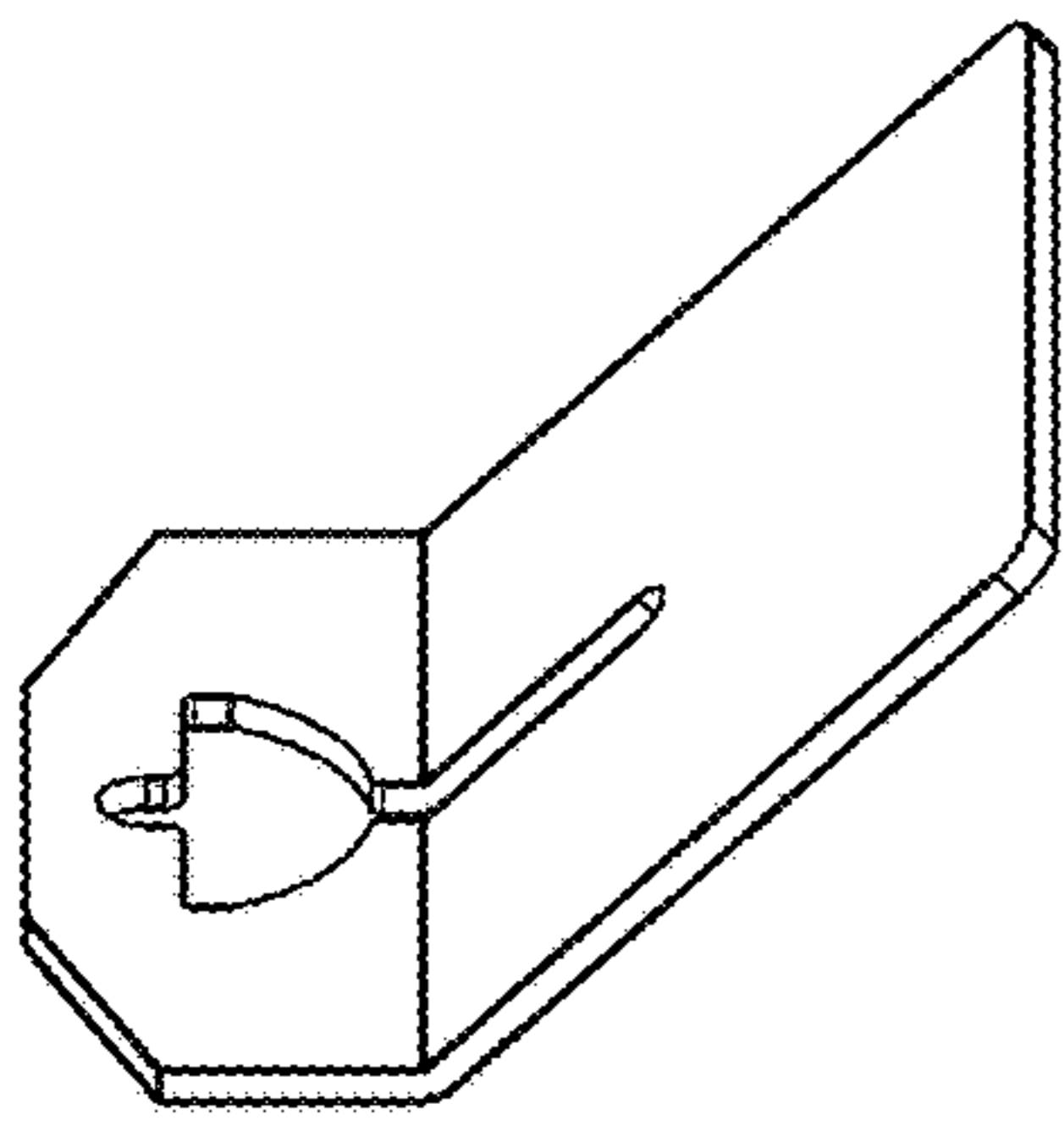


Fig. 9

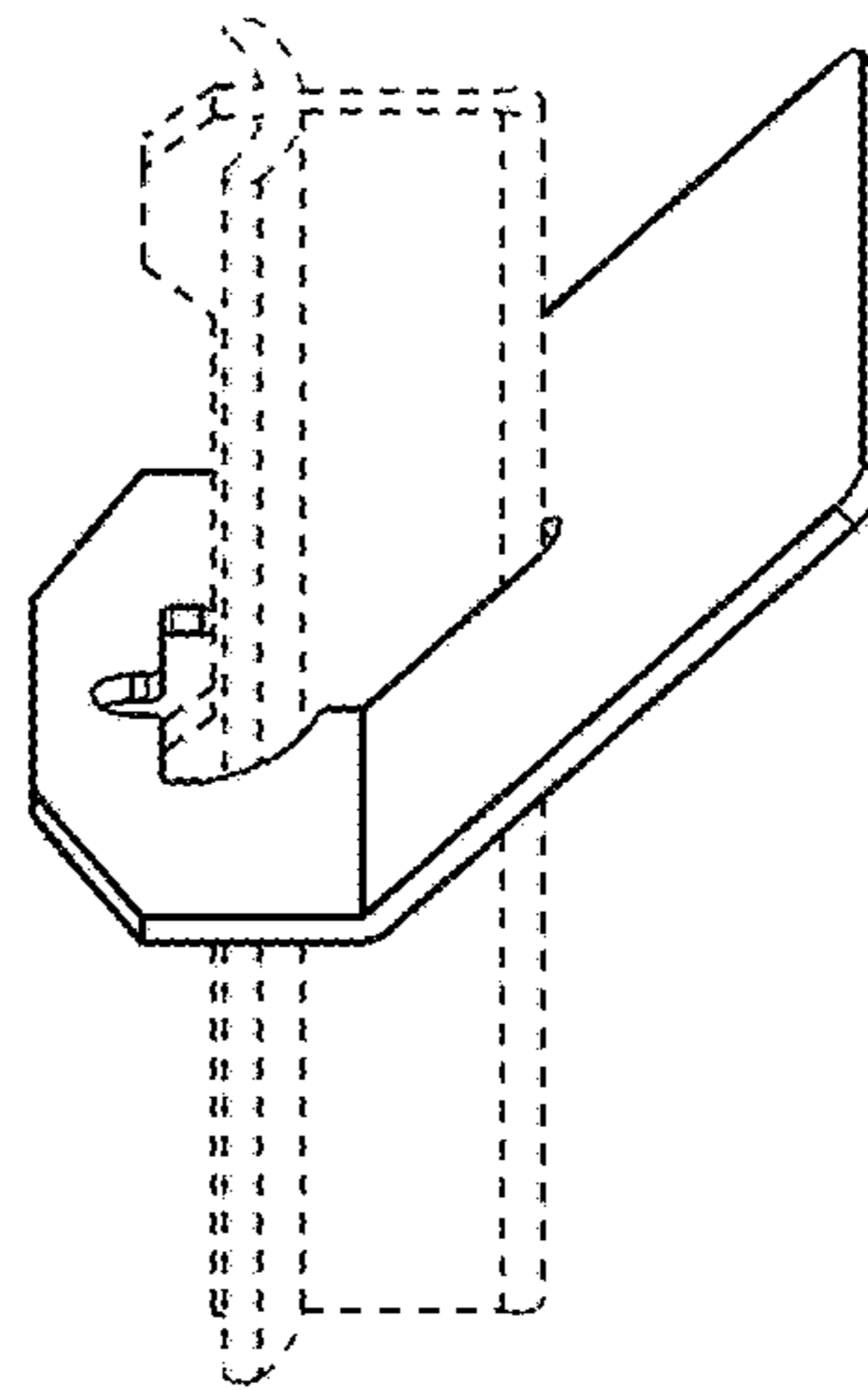


Fig. 10

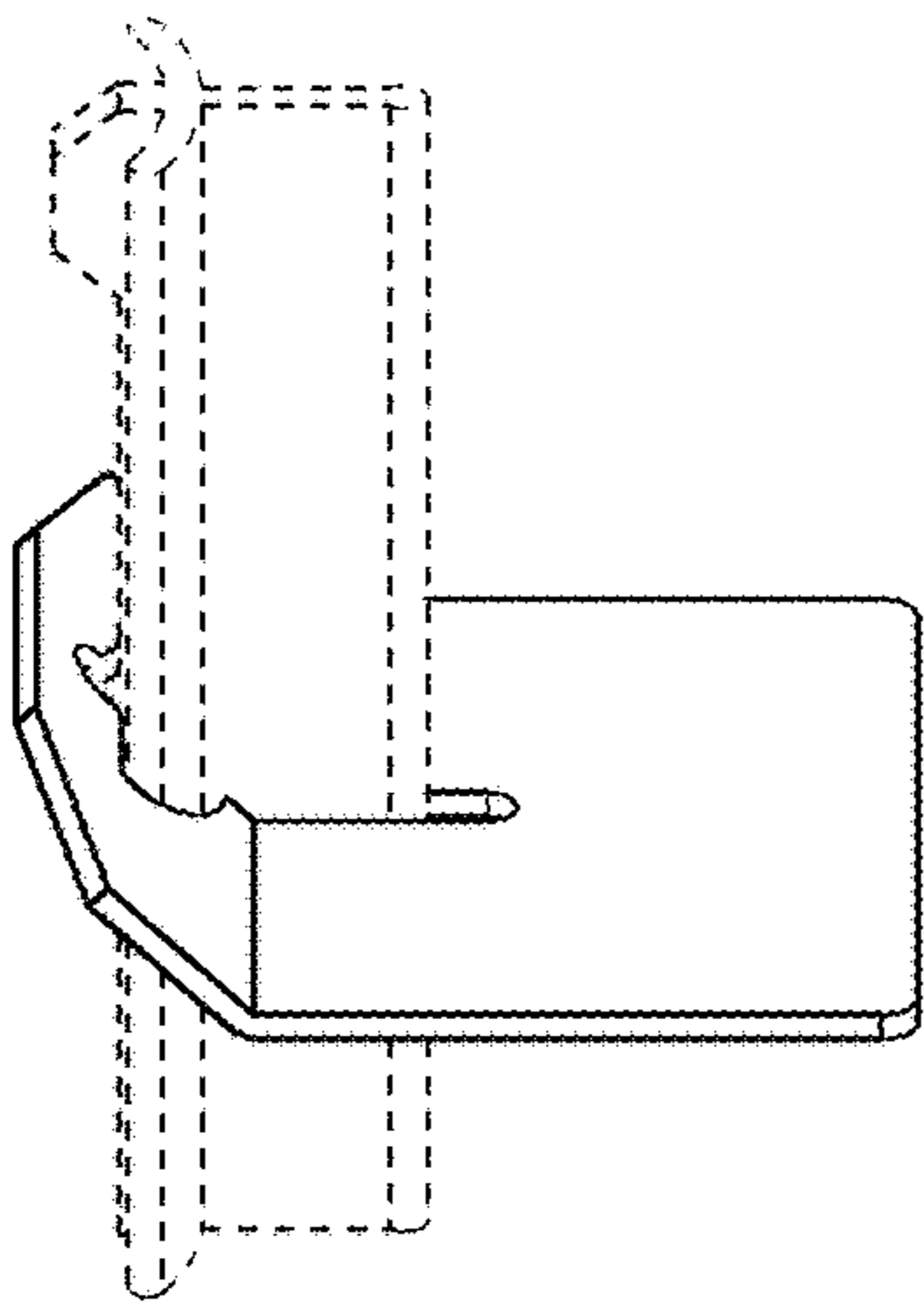


Fig. 11

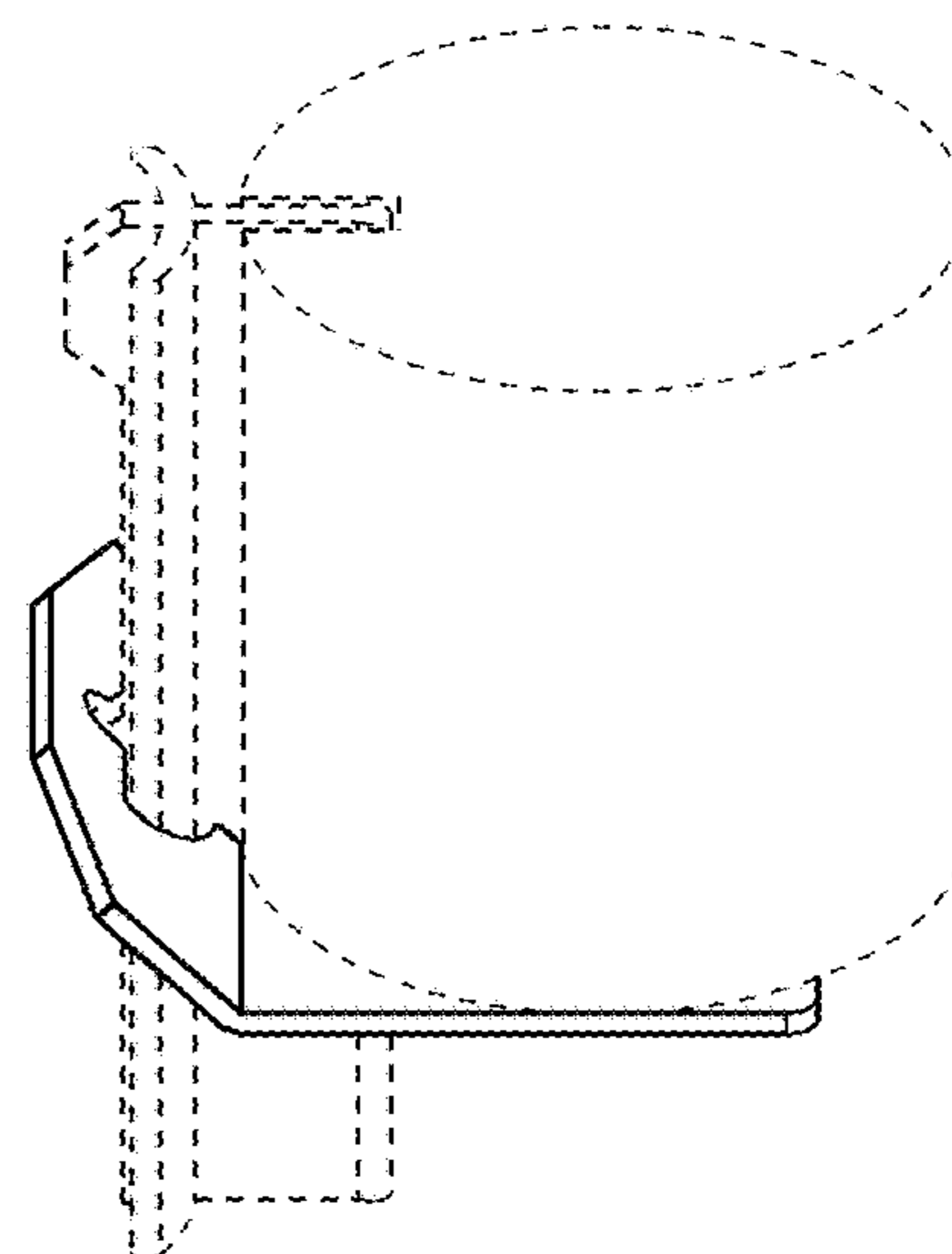


Fig. 12