



US00D831226S

(12) **United States Design Patent** (10) **Patent No.:** **US D831,226 S**  
**Richter** (45) **Date of Patent:** **\*\* Oct. 16, 2018**

(54) **RETAINER MEMBER FOR DOOR INSERT**  
(71) Applicant: **Larson Manufacturing Company of South Dakota, Inc.**, Brookings, SD (US)  
(72) Inventor: **Jordan A. Richter**, Iowa City, IA (US)  
(73) Assignee: **Larson Manufacturing Company of South Dakota**, South Dakota, MN (US)  
(\*\*) Term: **15 Years**  
(21) Appl. No.: **29/587,962**  
(22) Filed: **Dec. 16, 2016**  
(51) **LOC (11) Cl.** ..... **25-01**  
(52) **U.S. Cl.**  
USPC ..... **D25/48.2**  
(58) **Field of Classification Search**  
USPC ..... D25/48.1, 48.2, 119-125, 136, 164  
CPC ..... E06B 3/26; E06B 3/28; E06B 7/18; E06B 1/70  
See application file for complete search history.

(56) **References Cited**  
U.S. PATENT DOCUMENTS  
2,856,651 A \* 10/1958 Hobbs ..... E06B 1/70  
24/132 R  
D185,678 S \* 7/1959 McEvoy et al. .... D25/123  
4,074,464 A \* 2/1978 McCay ..... E06B 1/70  
49/468  
4,399,640 A \* 8/1983 Porter ..... E06B 3/28  
160/368.1  
D294,866 S \* 3/1988 Meshulam ..... D25/122  
D713,976 S \* 9/2014 Van Camp ..... D25/124  
D794,830 S \* 8/2017 Altieri, Jr. .... D25/48.2

FOREIGN PATENT DOCUMENTS  
WO D023815-002 \* 11/1992

OTHER PUBLICATIONS  
<http://partsacc.larsondoors.com/Product.aspx?id=Retainer%20Strips&category=Retainer%20Set%20Kit%20for%20full%20glass%20doors%201%205%208%22%20thick.%20For%20doors%20manufactured%20on%20or%20after%2010/1/2008>. Retrieved Sep. 21, 2017 (Year: 2017).\*  
\* cited by examiner  
*Primary Examiner* — Susan Bennett Hattan  
*Assistant Examiner* — Leanne Was-Englehart  
(74) *Attorney, Agent, or Firm* — Kagan Binder, PLLC

(57) **CLAIM**  
The ornamental design for a retainer member for door insert, as shown and described.

**DESCRIPTION**  
FIG. 1 is a front view of a retainer member for door insert; FIG. 2 is a top view of the new design; FIG. 3 is a bottom view of the new design; FIG. 4 is a right side view of the new design, with the left side view being a mirror image thereof; FIG. 5 is a perspective view of the new design; FIG. 6 is another perspective view of the new design, with portions of the door structure and door insert illustrated in broken lines to provide environmental structure; and, FIG. 7 is yet another perspective view of the new design with portions of the door structure and door insert illustrated in broken lines to provide environmental structure. The evenly spaced broken lines in FIGS. 2-5 depict portions of the retainer member for door insert that form no part of the claimed design. The dot dash broken lines in FIGS. 2-5 depict a symbolic break in the retainer member for door insert. The portions of the retainer member for door insert between the break lines form no part of the claimed design.

**1 Claim, 7 Drawing Sheets**

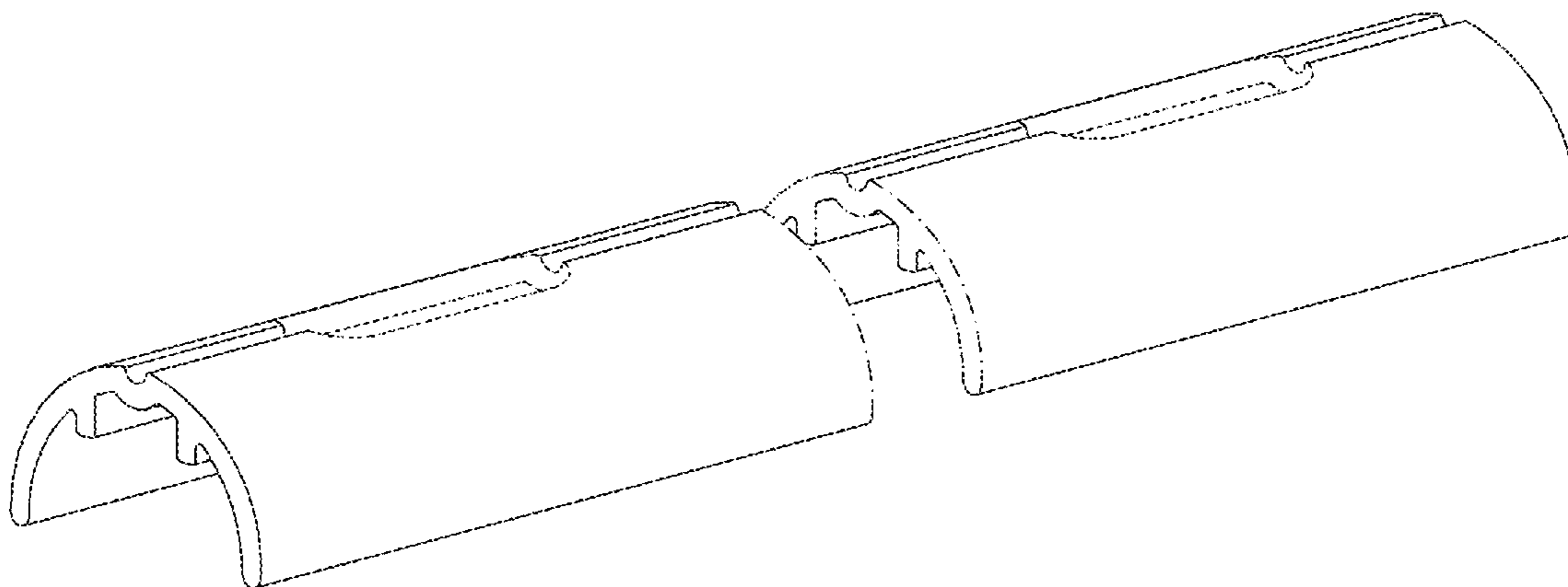




FIG. 1

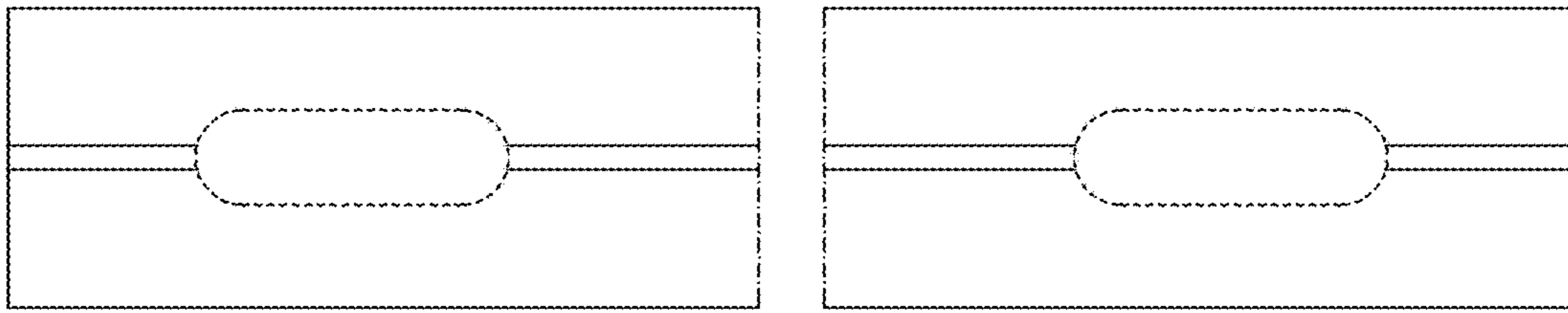


FIG. 2

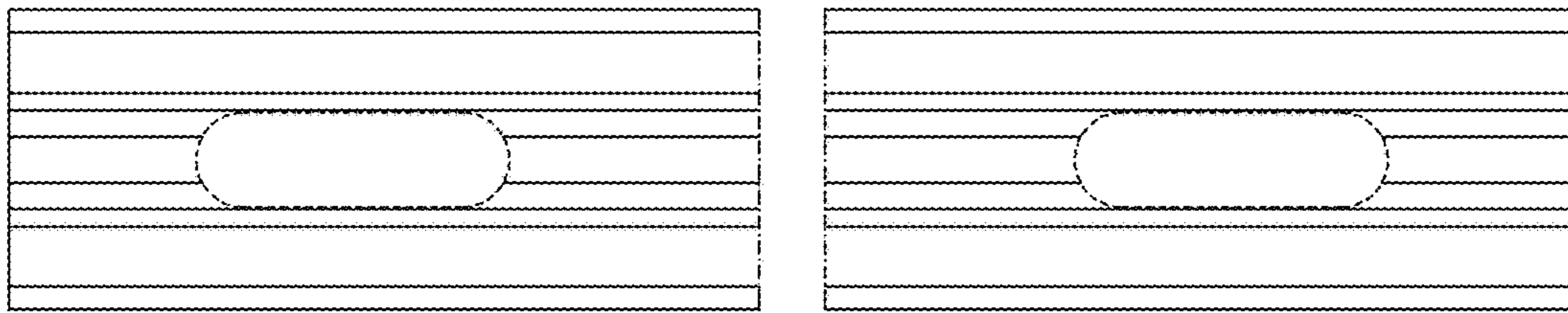


FIG. 3

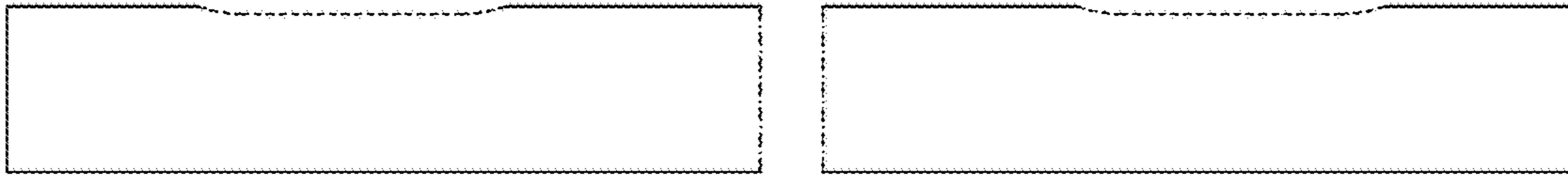


FIG. 4

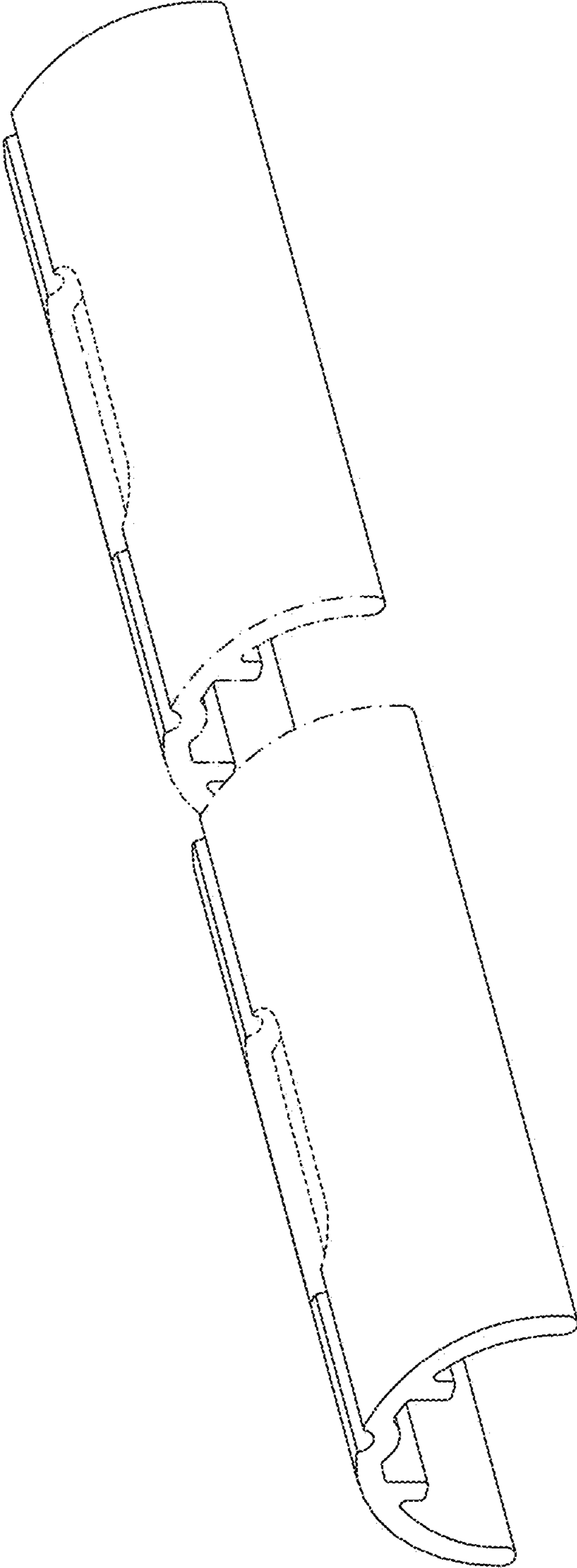


FIG. 5

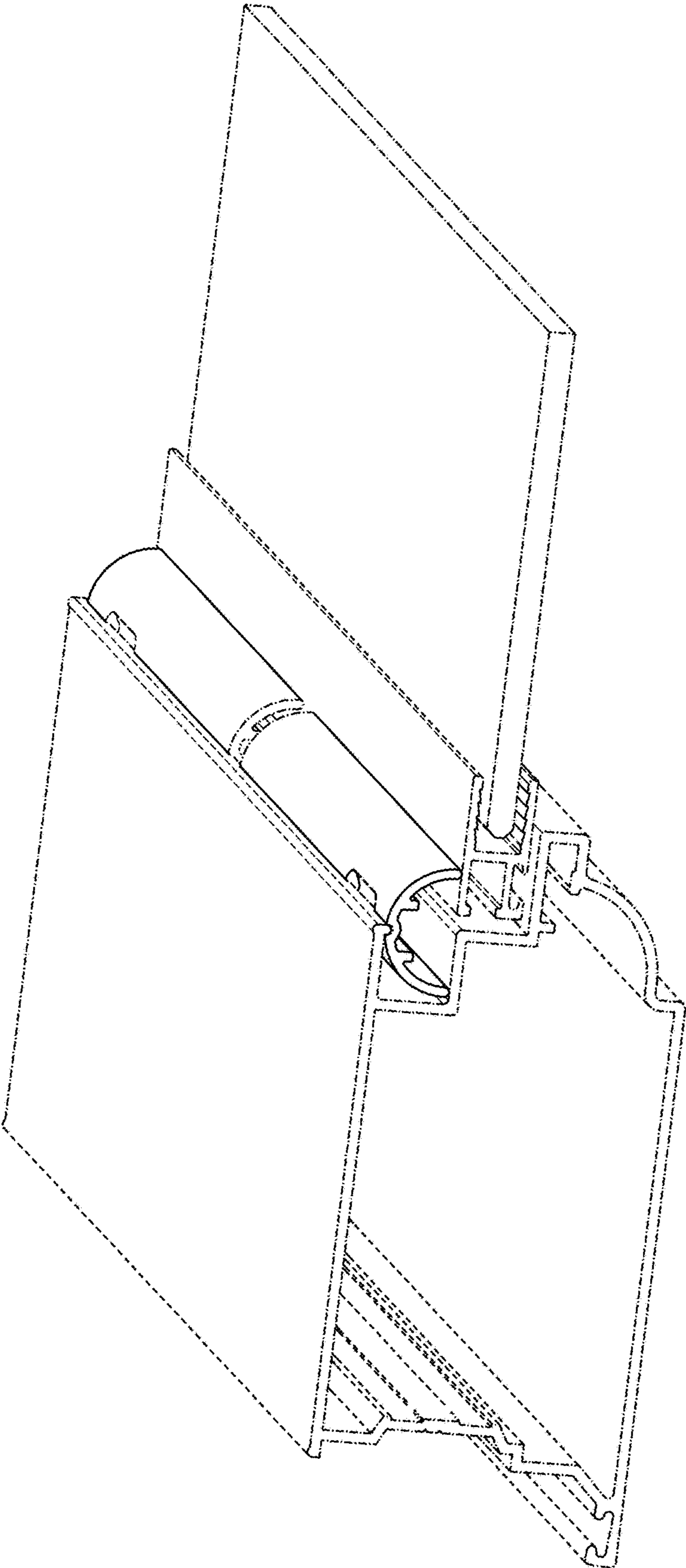


FIG. 6

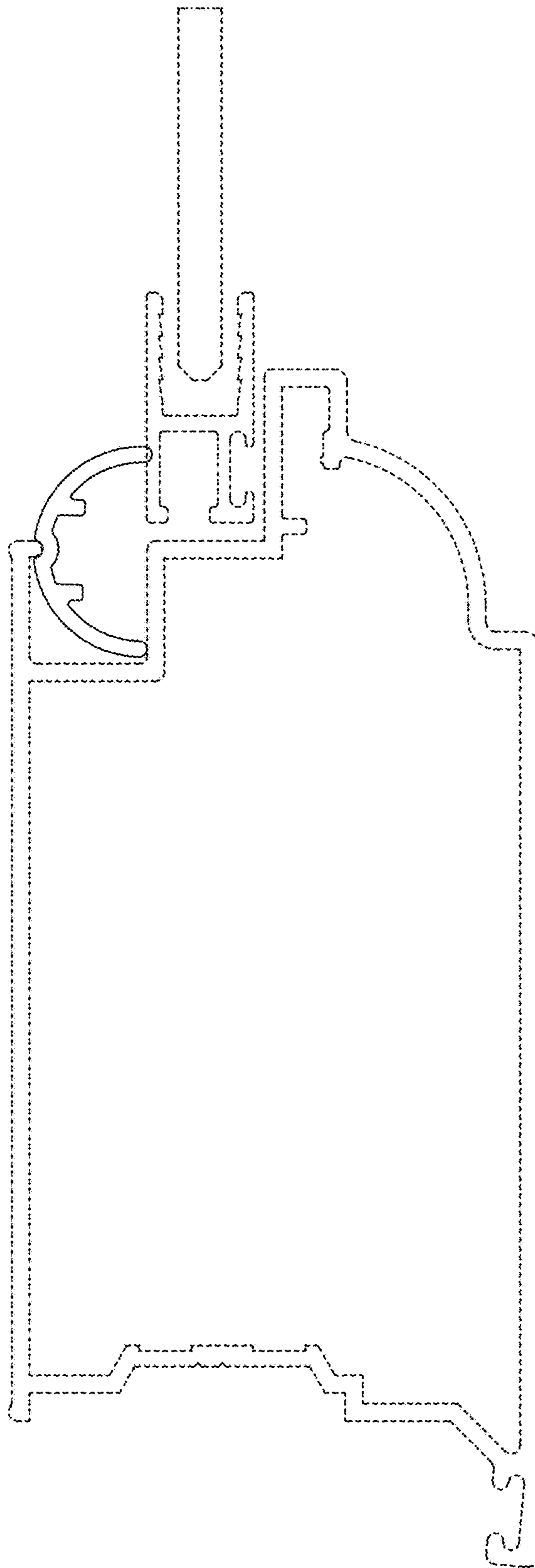


FIG. 7



UNITED STATES PATENT AND TRADEMARK OFFICE  
**CERTIFICATE OF CORRECTION**

PATENT NO. : D831,226 S  
APPLICATION NO. : 29/587962  
DATED : October 16, 2018  
INVENTOR(S) : Jordan A. Richter

Page 1 of 1

It is certified that error appears in the above-identified patent and that said Letters Patent is hereby corrected as shown below:

On the Title Page

(73) Assignee: Larson Manufacturing Company of South Dakota, South Dakota, MN (US) should be  
--Assignee: Larson Manufacturing Company of South Dakota, Brookings, SD (US)--.

Signed and Sealed this  
Seventh Day of September, 2021



Drew Hirshfeld  
*Performing the Functions and Duties of the  
Under Secretary of Commerce for Intellectual Property and  
Director of the United States Patent and Trademark Office*