



US00D831224S

(12) **United States Design Patent**  
**Hsu**

(10) **Patent No.:** **US D831,224 S**  
(45) **Date of Patent:** **\*\* Oct. 16, 2018**

(54) **TEST STRIP**

(71) Applicant: **Bonraybio Co., Ltd.**, Taichung (TW)

(72) Inventor: **Cheng-Teng Hsu**, Taichung (TW)

(73) Assignee: **BONRAYBIO CO., LTD.**, Taichung (TW)

(\*\*) Term: **15 Years**

(21) Appl. No.: **29/598,212**

(22) Filed: **Mar. 23, 2017**

(51) **LOC (11) Cl.** ..... **24-01**

(52) **U.S. Cl.**  
USPC ..... **D24/225**

(58) **Field of Classification Search**  
USPC ..... D24/216–217, 219, 222–226, 227, 231, D24/232, 107, 169, 186; D10/81; 422/400–404, 408, 430, 68.1, 56, 69, 500; 435/287.1, 287.3, 287.4, 288.1, 288.3, 435/288.7, 806  
CPC ..... B01L 2300/0822; B01L 2300/0825; B01L 2300/0829; B01L 3/5027; B01L 3/502707  
See application file for complete search history.

(56) **References Cited**

**U.S. PATENT DOCUMENTS**

|                   |         |          |       |                        |
|-------------------|---------|----------|-------|------------------------|
| D640,389 S *      | 6/2011  | Francis  | ..... | D24/225                |
| D655,424 S *      | 3/2012  | Castanon | ..... | D24/225                |
| D668,350 S *      | 10/2012 | Rowley   | ..... | D24/225                |
| D668,779 S *      | 10/2012 | Khan     | ..... | D24/225                |
| D734,482 S *      | 7/2015  | Peterman | ..... | D24/216                |
| D739,553 S *      | 9/2015  | Yang     | ..... | D24/232                |
| D770,057 S *      | 10/2016 | Snider   | ..... | D24/223                |
| D794,803 S *      | 8/2017  | Thom     | ..... | D24/169                |
| 2003/0156996 A1 * | 8/2003  | Delorme  | ..... | B01L 3/5023<br>422/400 |

|                   |         |        |       |                          |
|-------------------|---------|--------|-------|--------------------------|
| 2003/0235521 A1 * | 12/2003 | Shea   | ..... | B01J 19/0046<br>506/39   |
| 2005/0266499 A1 * | 12/2005 | Tan    | ..... | G01N 33/558<br>435/7.1   |
| 2014/0271400 A1 * | 9/2014  | Cheng  | ..... | G01N 33/54366<br>422/417 |
| 2015/0328632 A1 * | 11/2015 | Kurata | ..... | B01L 3/50<br>435/309.1   |

**OTHER PUBLICATIONS**

Lenshooke, posted at bonraybio.com, posting date not verifiable, online, site visited Feb. 13, 2018, URL: <http://www.bonraybio.com/en/product.php?act=view&id=6> (Year: 2018).\*

\* cited by examiner

*Primary Examiner* — Anhdao Doan  
*Assistant Examiner* — Mary Shannon Malley  
(74) *Attorney, Agent, or Firm* — DLA Piper LLP (US)

(57) **CLAIM**

The ornamental design for a test strip, as shown and described.

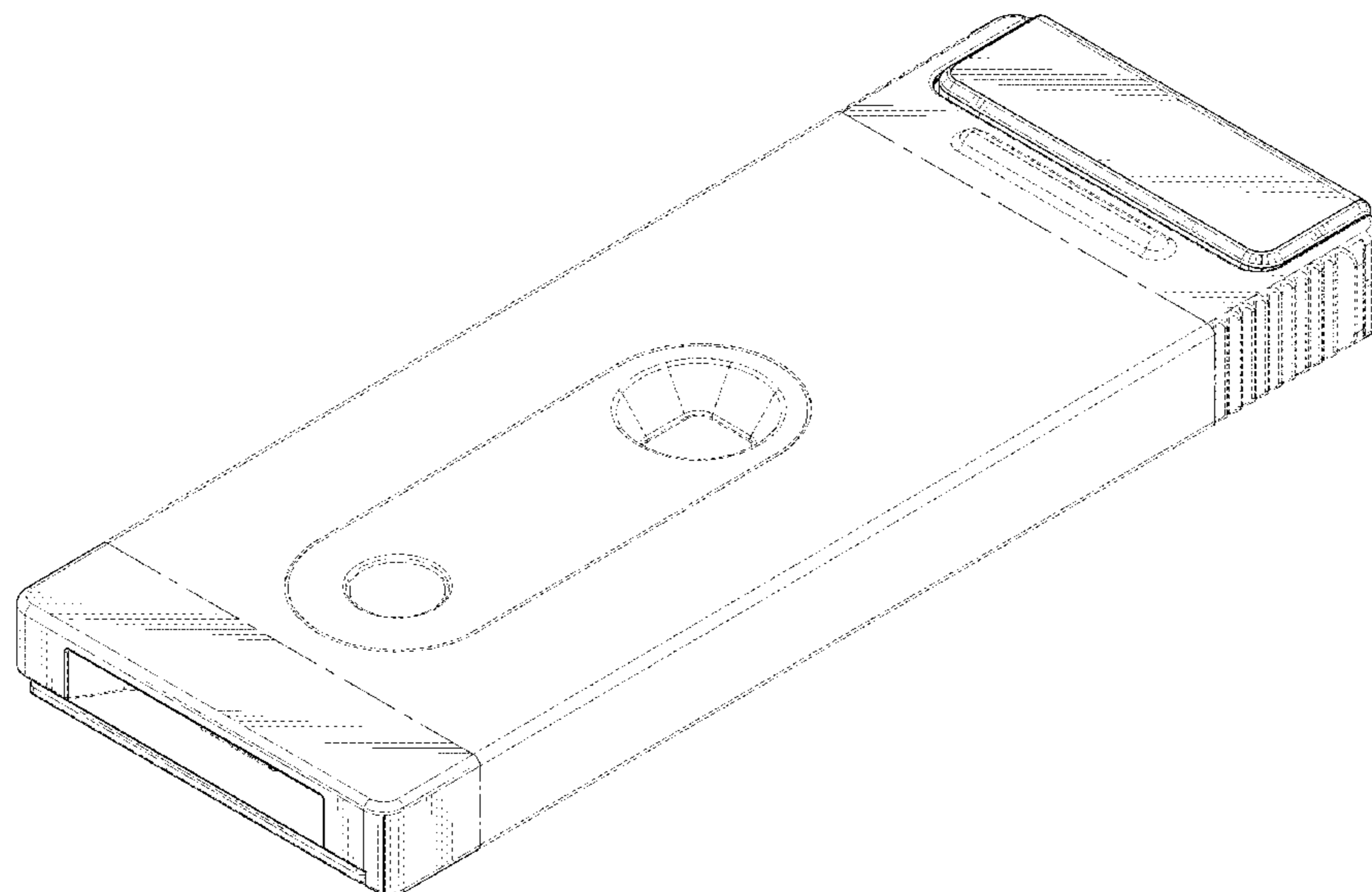
**DESCRIPTION**

FIG. 1 is a perspective view of a test strip showing my new design;  
 FIG. 2 is a front elevational view thereof;  
 FIG. 3 is a rear elevational view thereof;  
 FIG. 4 is a left side elevational view thereof;  
 FIG. 5 is a right side elevational view thereof;  
 FIG. 6 is a top plan view thereof; and,  
 FIG. 7 is a bottom plan view thereof.

The dash-dash broken lines depict portions of a test strip in which the design is embodied that form no part of the claimed design.

The dash-dot broken lines are for defining the bounds of the claimed design only and form no part of the claimed design.

**1 Claim, 7 Drawing Sheets**



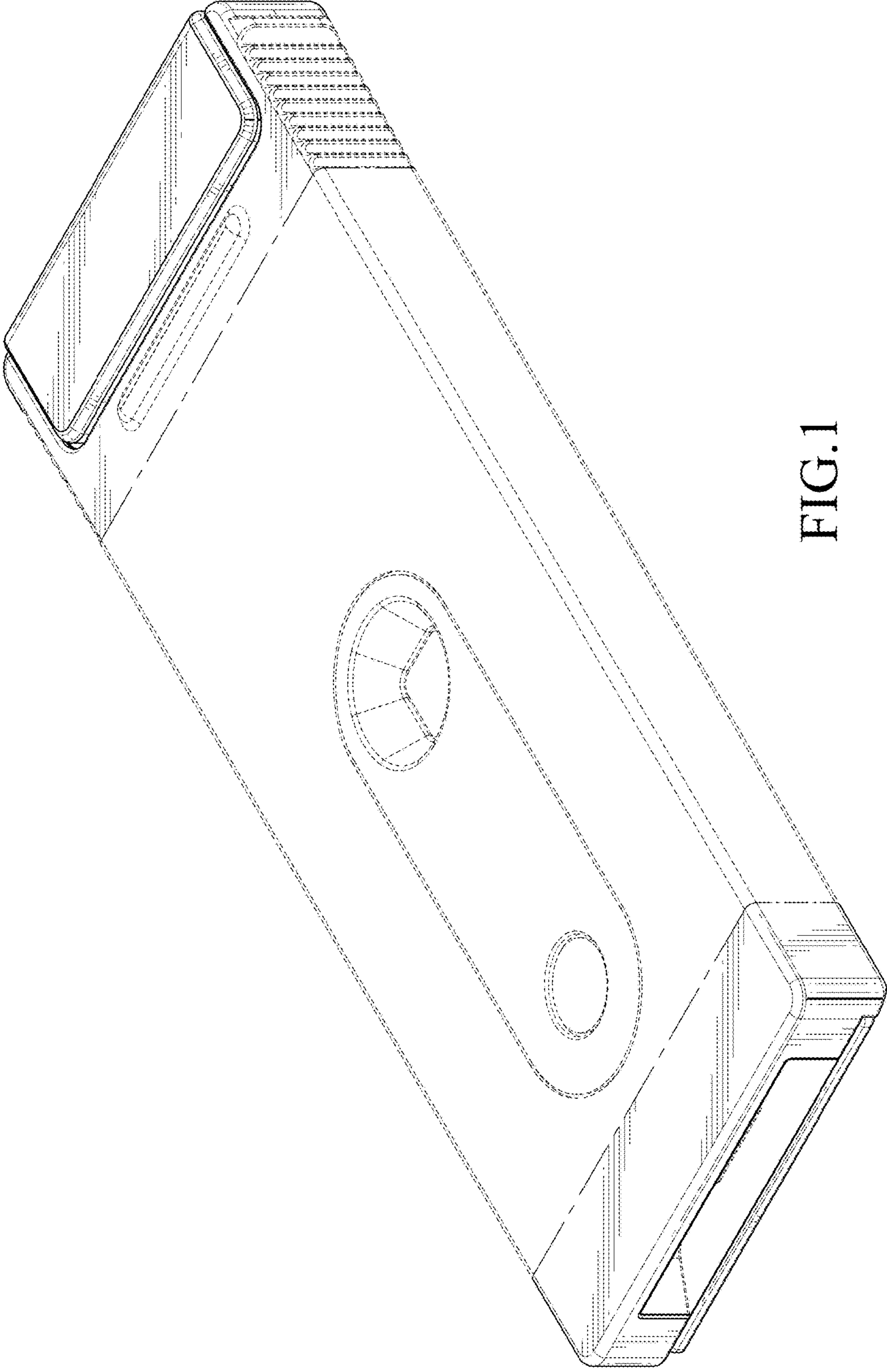


FIG.1

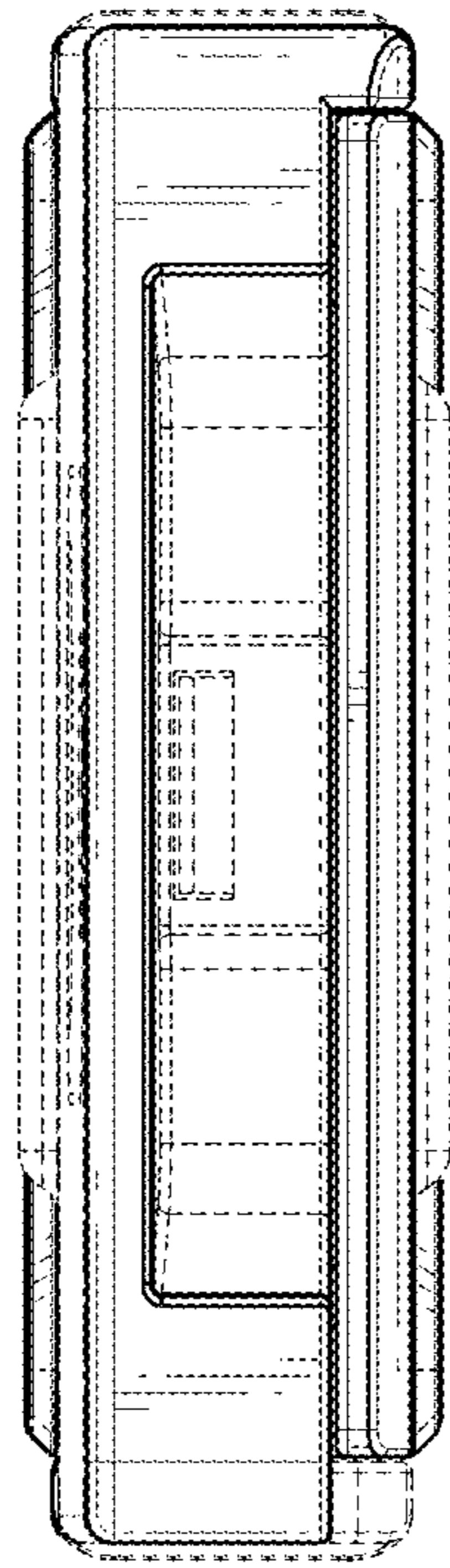


FIG.2

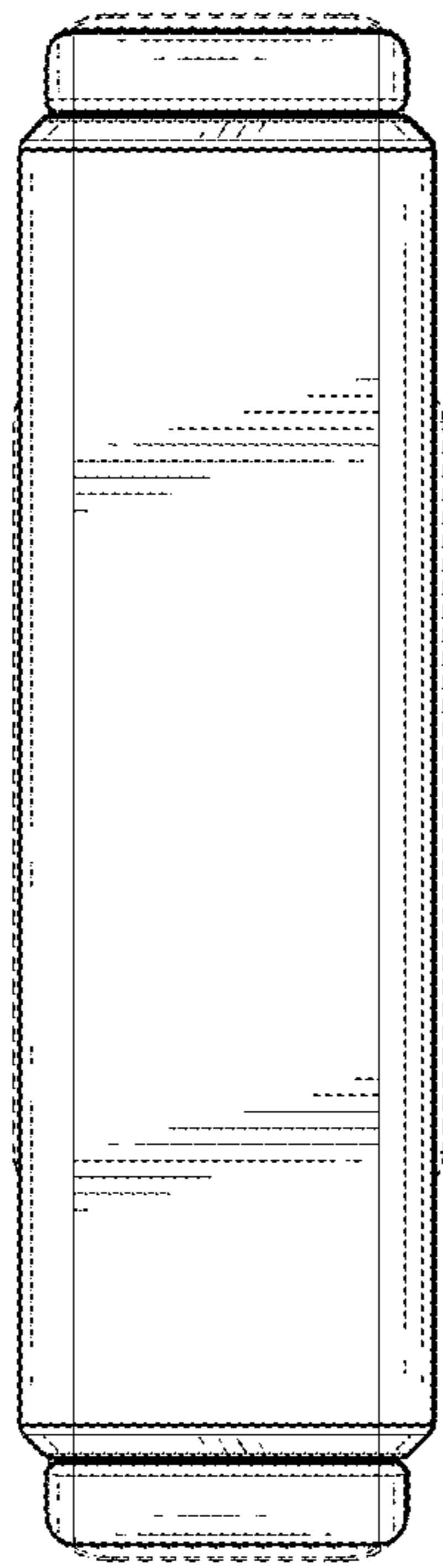


FIG.3

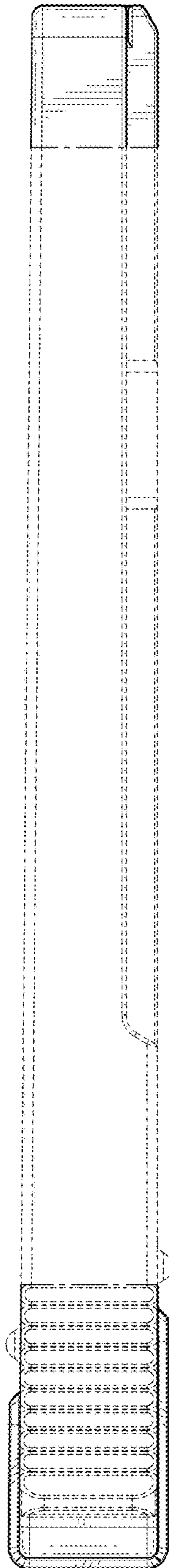


FIG.4



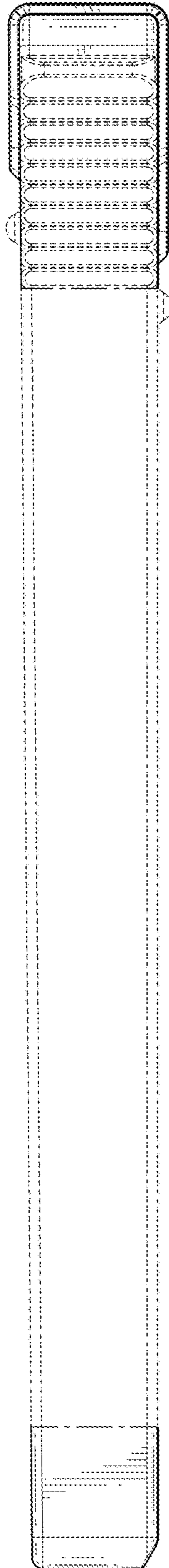


FIG. 5

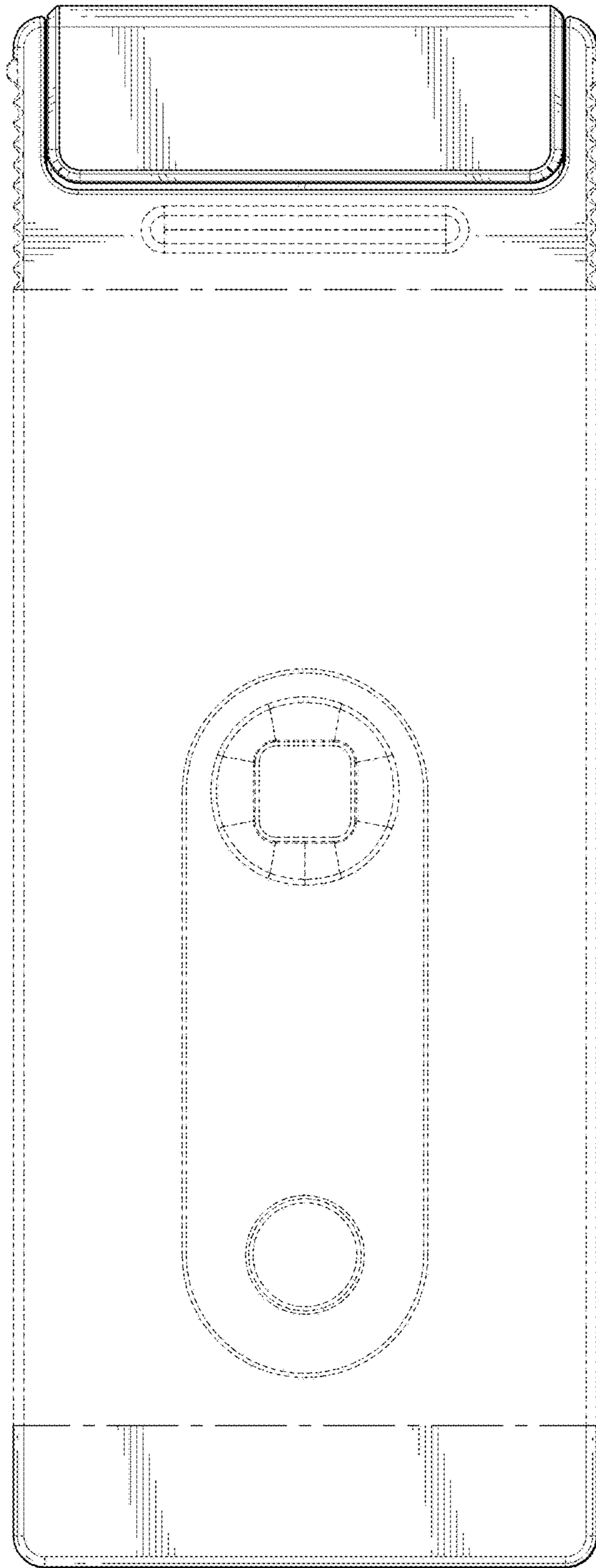


FIG.6

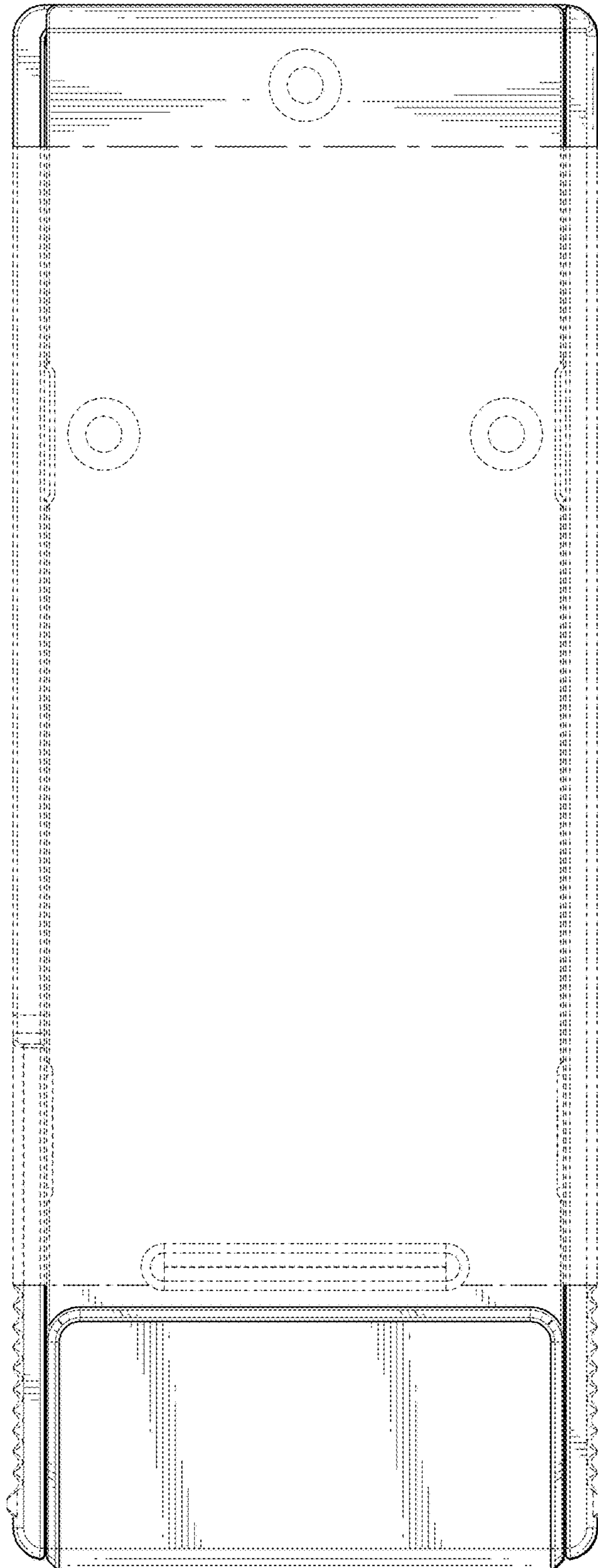


FIG.7