



US00D831216S

(12) **United States Design Patent** (10) **Patent No.:** **US D831,216 S**
Wells et al. (45) **Date of Patent:** **** Oct. 16, 2018**

(54) **IMAGING SYSTEM**

(71) Applicant: **Hologic, Inc.**, Bedford, MA (US)

(72) Inventors: **Timothy Wells**, Manchester, CT (US);
John Girgenti, New Milford, CT (US);
Russell Kroll, Atlanta, GA (US);
Alyssa Mellett, Kennesaw, GA (US)

(73) Assignee: **Hologic, Inc.**, Marlborough, MA (US)

(**) Term: **15 Years**

(21) Appl. No.: **29/585,528**

(22) Filed: **Nov. 25, 2016**

(51) **LOC (11) Cl.** **24-01**

(52) **U.S. Cl.**

USPC **D24/158**

(58) **Field of Classification Search**

USPC D24/107, 158-161, 185, 186, 187, 231,
D24/140, 183, 184

CPC A61B 6/035; A61B 6/4405; A61B 6/4411;
A61B 6/4429; A61B 6/4435; A61B
6/4441; A61B 6/4447; A61B 6/484; A61B
6/502

See application file for complete search history.

(56) **References Cited**

U.S. PATENT DOCUMENTS

6,102,567	A *	8/2000	Cabral	A61B 6/4233 378/146
7,869,563	B2 *	1/2011	Defreitas	A61B 6/502 378/114
D659,833	S *	5/2012	Ogura	D24/158
D728,106	S *	4/2015	Laukkanen	D24/158
D728,794	S *	5/2015	Kim	D24/158
D767,140	S *	9/2016	Yao	D24/158

D783,827	S *	4/2017	Arishima	D24/158
2009/0003519	A1 *	1/2009	Defreitas	A61B 6/502 378/37
2012/0114095	A1 *	5/2012	Smith	A61B 6/025 378/20
2013/0072816	A1 *	3/2013	Girgenti	A61B 10/0275 600/567
2014/0257093	A1 *	9/2014	MacDonald	A61B 6/037 600/424
2015/0025377	A1 *	1/2015	Nishi	A61B 6/025 600/436

OTHER PUBLICATIONS

Hologic Selenia Dimensions (digitized mammography), Website
“inNavi Suite—Hitachi Special” (<http://www.innervision.co.jp/suite/hitachi/technote/110714/index.html>), Jul. 2011, 4 pages.

* cited by examiner

Primary Examiner — Anhdao Doan

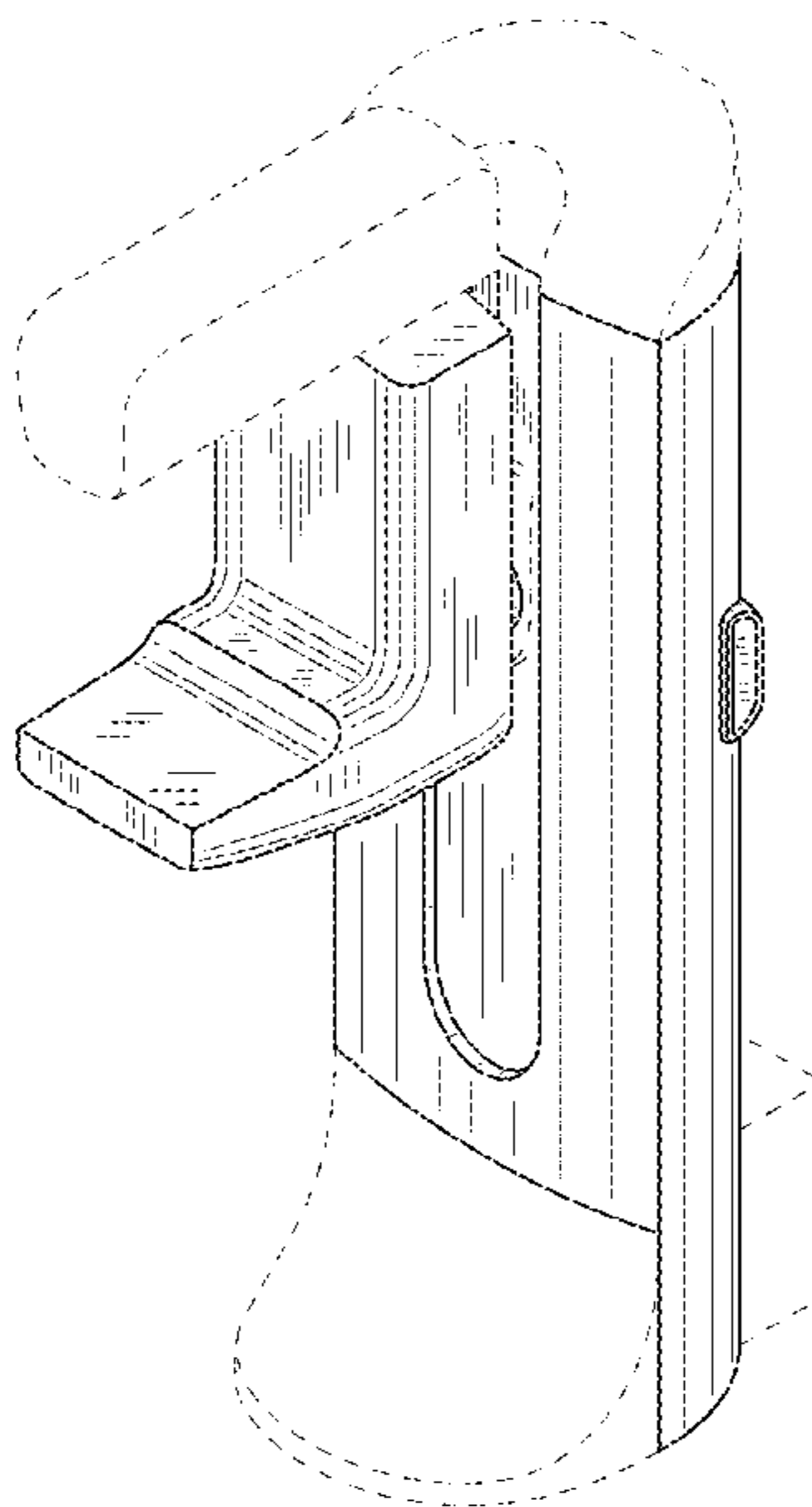
(57) **CLAIM**

The ornamental design for an imaging system, as shown and described.

DESCRIPTION

FIG. 1 is a perspective view of an imaging system showing our new design.
FIG. 2 is a front view of the imaging system of FIG. 1.
FIG. 3 is a back view of the imaging system of FIG. 1.
FIG. 4 is a right-side view of the imaging system of FIG. 1.
FIG. 5 is a left-side view of the imaging system of FIG. 1.
FIG. 6 is a top view of the imaging system of FIG. 1; and
FIG. 7 is a bottom view of the imaging system of FIG. 1.
The broken lines illustrate portions of the imaging system that form no part of the claimed design.

1 Claim, 6 Drawing Sheets



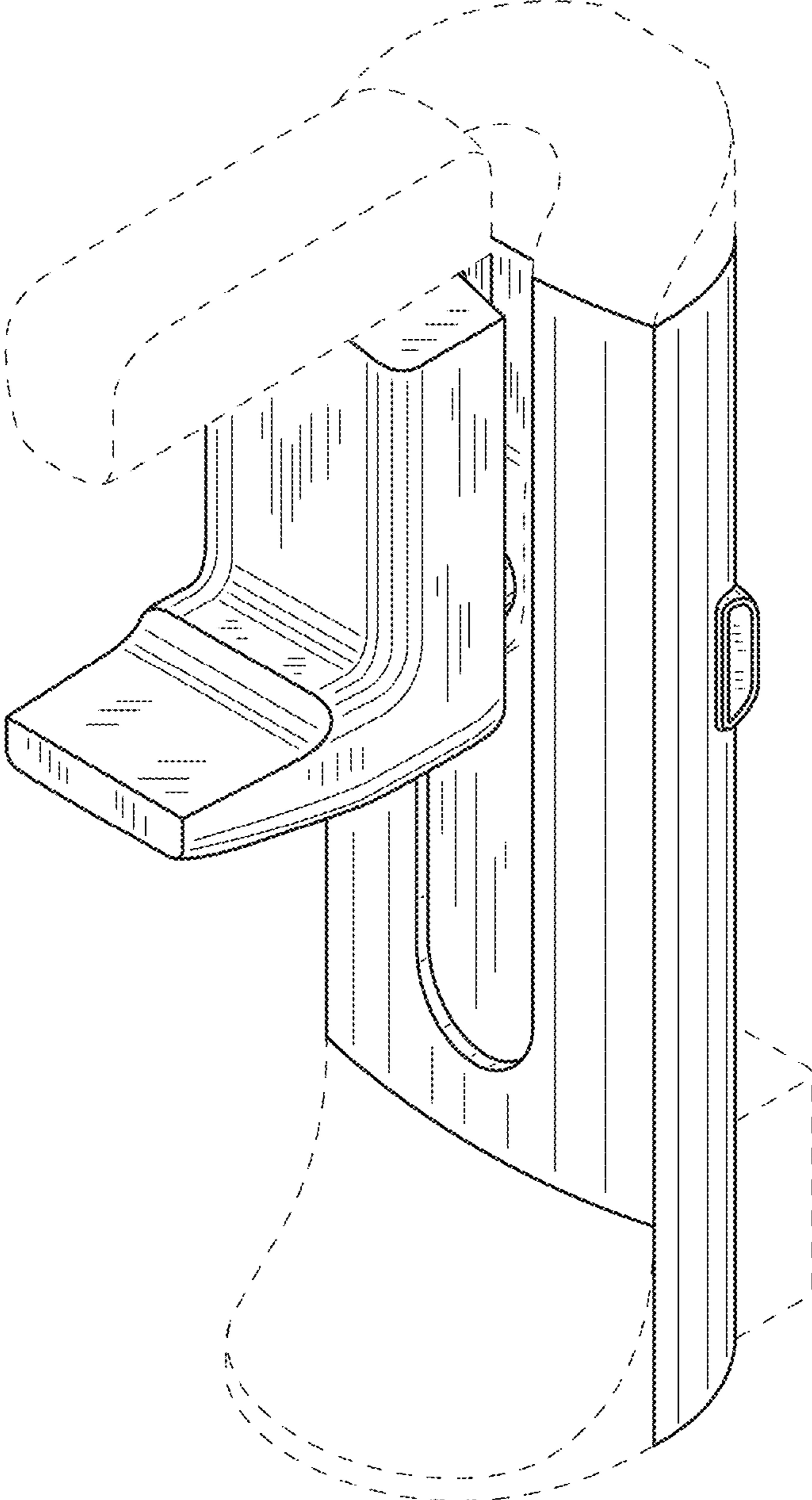


FIG. 1

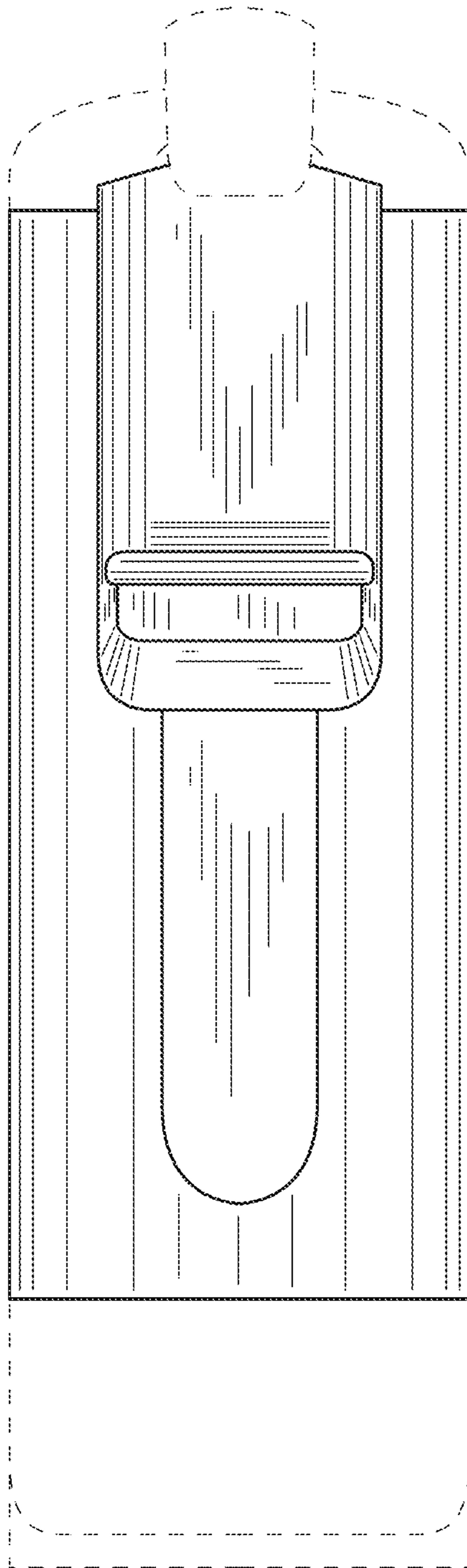


FIG.2

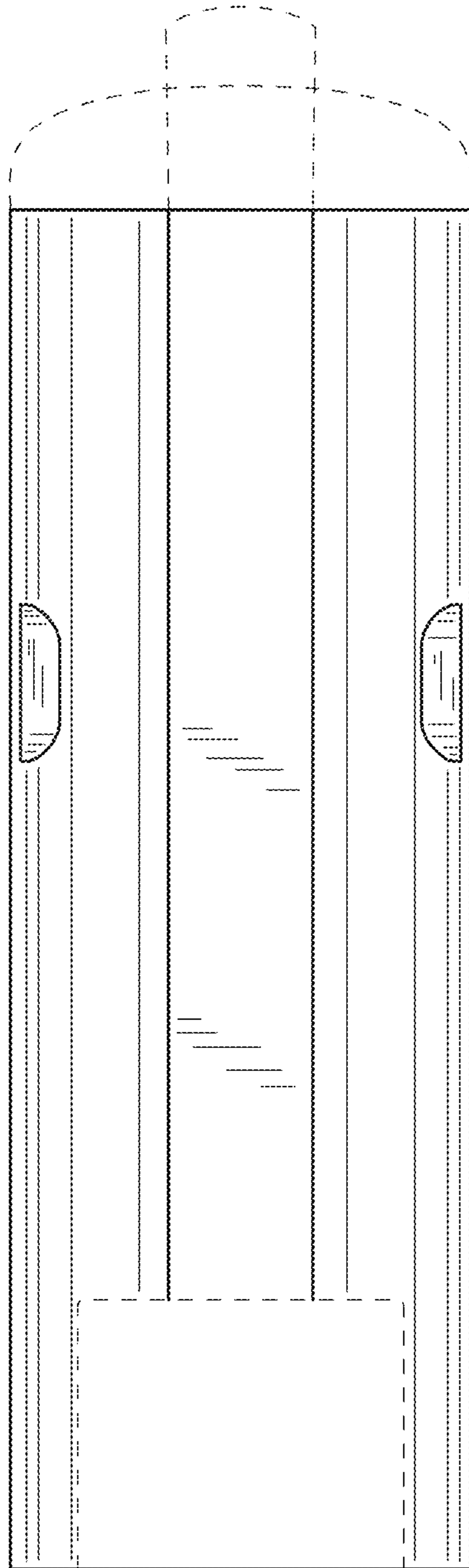


FIG. 3

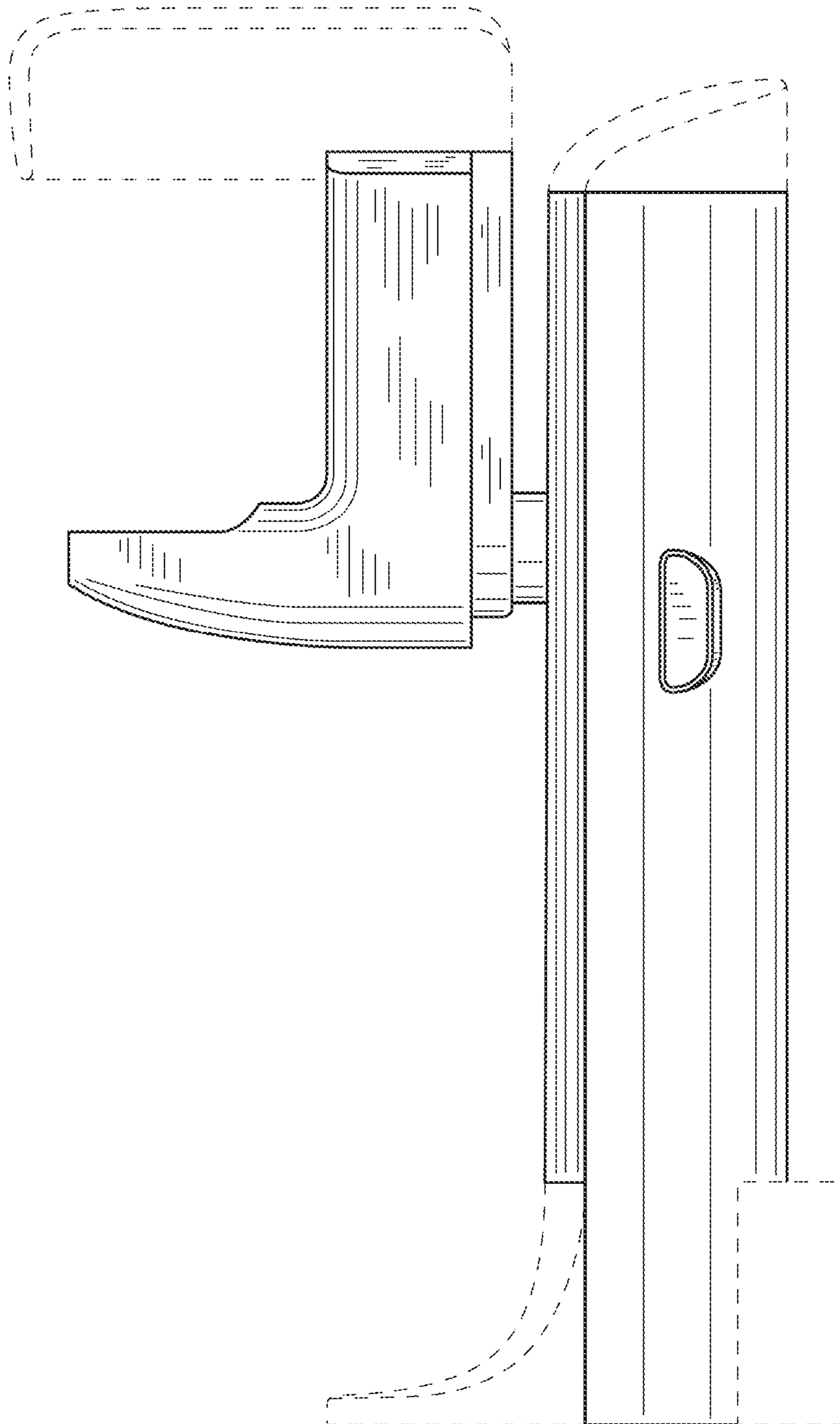


FIG. 4

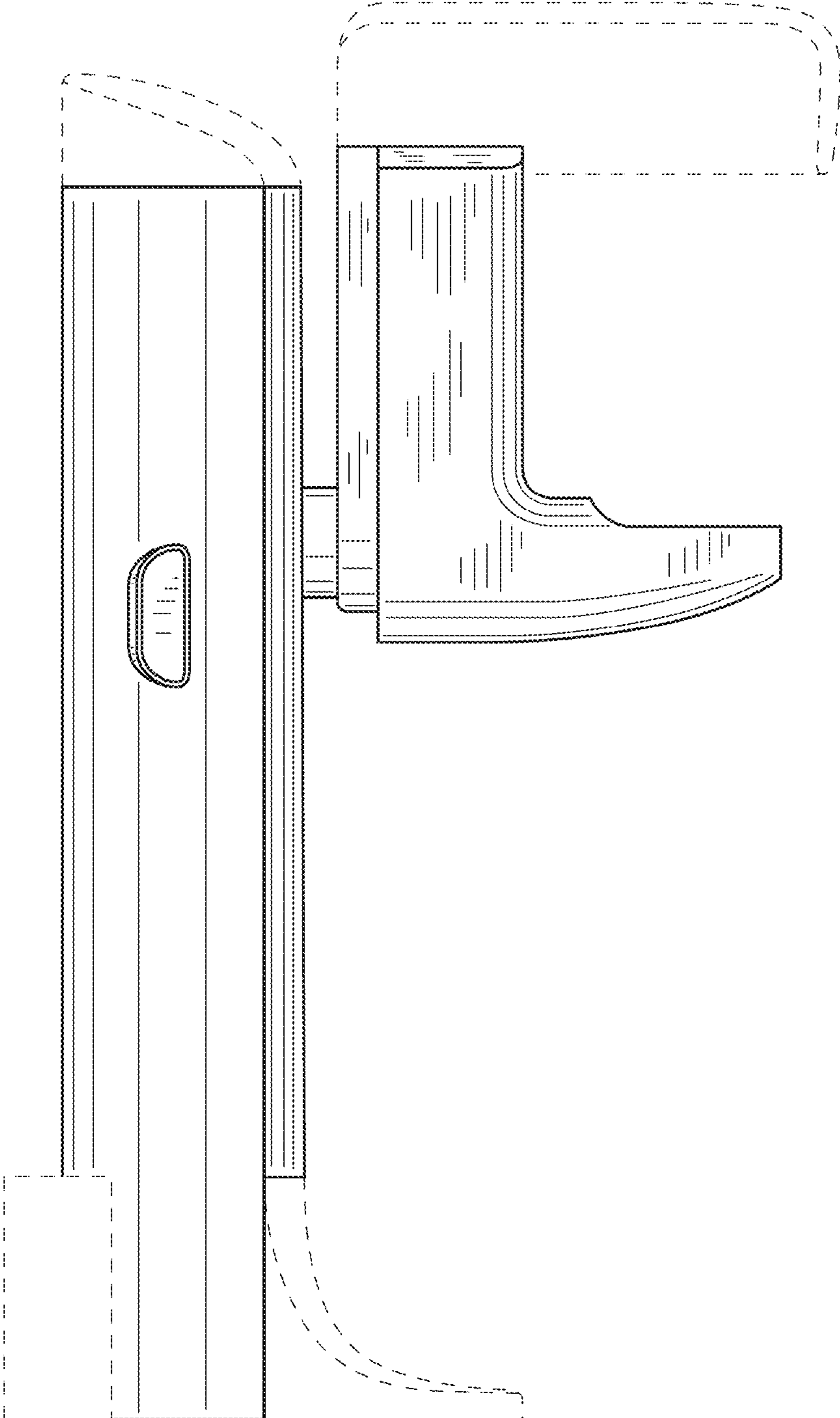


FIG.5

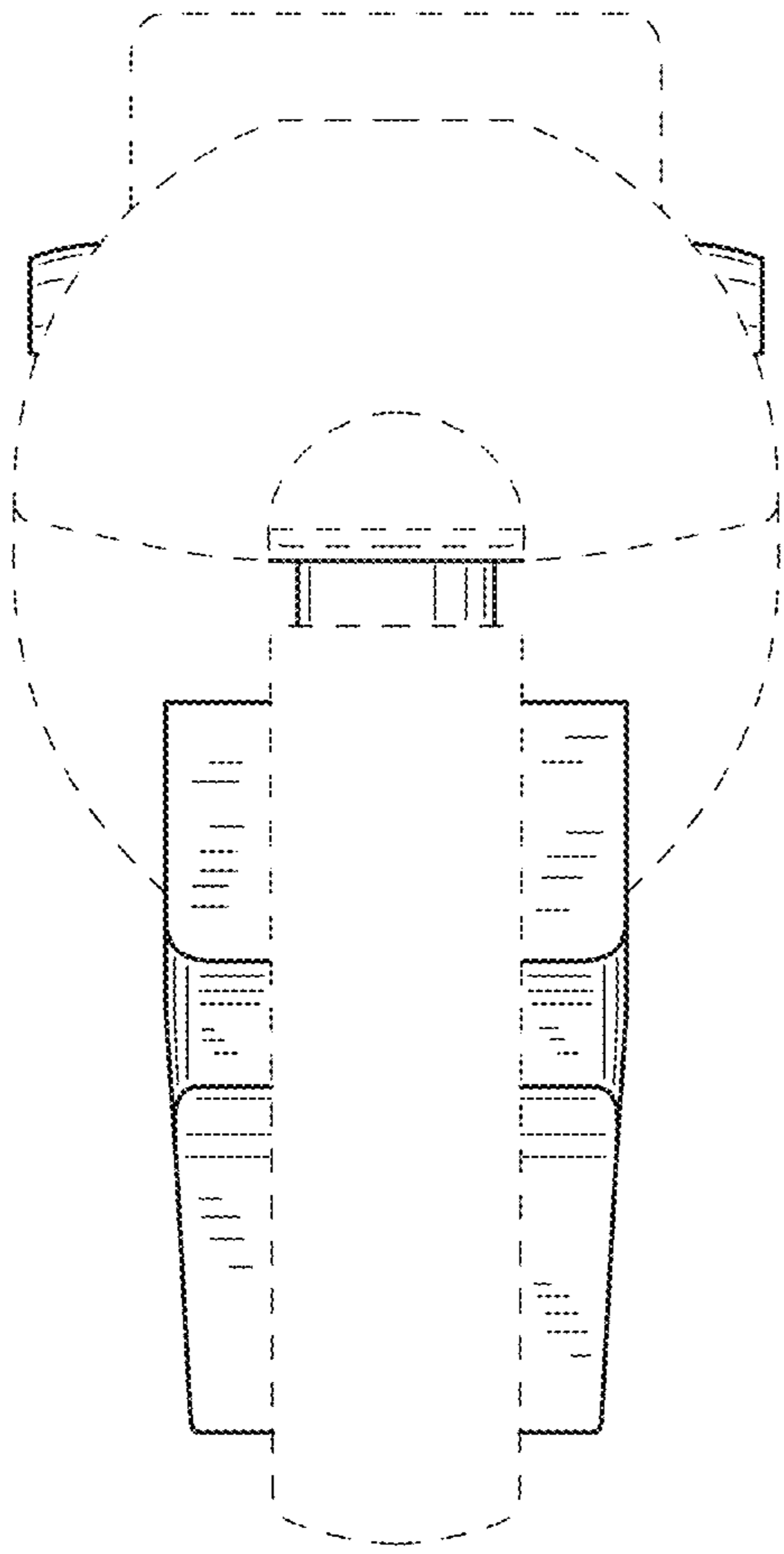


FIG. 6

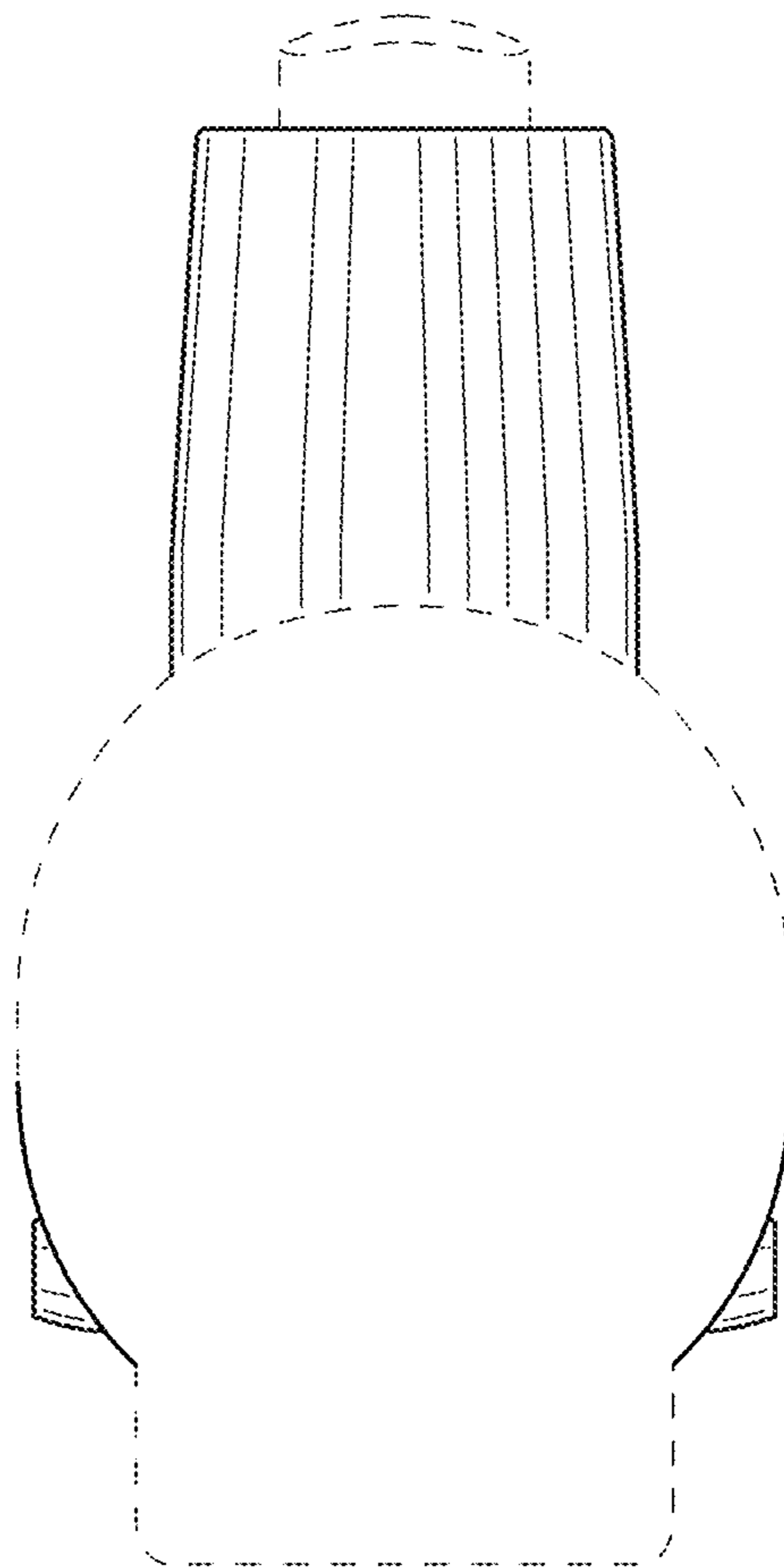


FIG. 7