



US00D831215S

(12) **United States Design Patent**
Bak et al.

(10) **Patent No.:** **US D831,215 S**

(45) **Date of Patent:** **** Oct. 16, 2018**

(54) **ADVANCED THERAPY CENTRAL POWER CONTROL UNIT ILLUMINATOR**

(71) Applicant: **Siemens Healthcare GmbH**, Erlangen (DE)

(72) Inventors: **Donald Bak**, Hoffman Estates, IL (US); **Nadja Roth**, Bamberg (DE)

(73) Assignee: **Siemens Healthcare GmbH**, Erlangen (DE)

(**) Term: **15 Years**

(21) Appl. No.: **29/584,837**

(22) Filed: **Nov. 17, 2016**

(51) **LOC (11) Cl.** **24-01**

(52) **U.S. Cl.**
USPC **D24/158**

(58) **Field of Classification Search**
USPC D24/107, 158–161, 185, 186, 187, 231
CPC .. A61B 6/03; A61B 6/035; A61B 5/05; A61B 5/055; H03J 1/0025; H01H 9/0235; H04B 1/202; G08C 17/00; G08C 17/02
See application file for complete search history.

(56) **References Cited**

U.S. PATENT DOCUMENTS

D503,804 S * 4/2005 Phleps D24/158
D606,199 S * 12/2009 Vu D13/162
D614,604 S * 4/2010 Hoehn D14/218

D639,752 S * 6/2011 Li D13/168
D670,659 S * 11/2012 Ishikawa D13/168
D781,249 S * 3/2017 Park D24/158
D792,359 S * 7/2017 Nakagawa D13/168
D797,686 S * 9/2017 McRoberts D13/168

* cited by examiner

Primary Examiner — Anhdao Doan
(74) *Attorney, Agent, or Firm* — Schiff Hardin LLP

(57) **CLAIM**

The ornamental design for an advanced therapy central power control unit illuminator, as shown and described.

DESCRIPTION

FIG. 1 is a front elevational view of an advanced therapy central power control unit illuminator showing our new design;

FIG. 2 is a rear elevational view of thereof;

FIG. 3 is a top view thereof;

FIG. 4 is a bottom view thereof;

FIG. 5 is a right side elevational view thereof;

FIG. 6 is a left side elevational view thereof;

FIG. 7 is a perspective view taken generally from the top, front, right-hand side thereof;

FIG. 8 is a perspective view taken generally from the top, rear, right-hand side thereof;

FIG. 9 is a perspective view taken generally from the bottom, rear, right-hand side thereof; and,

FIG. 10 is a perspective view taken generally from the bottom, rear, left-hand side thereof.

The broken lines represent portions of the advanced therapy central power control unit illuminator that form no part of the claimed design.

1 Claim, 10 Drawing Sheets

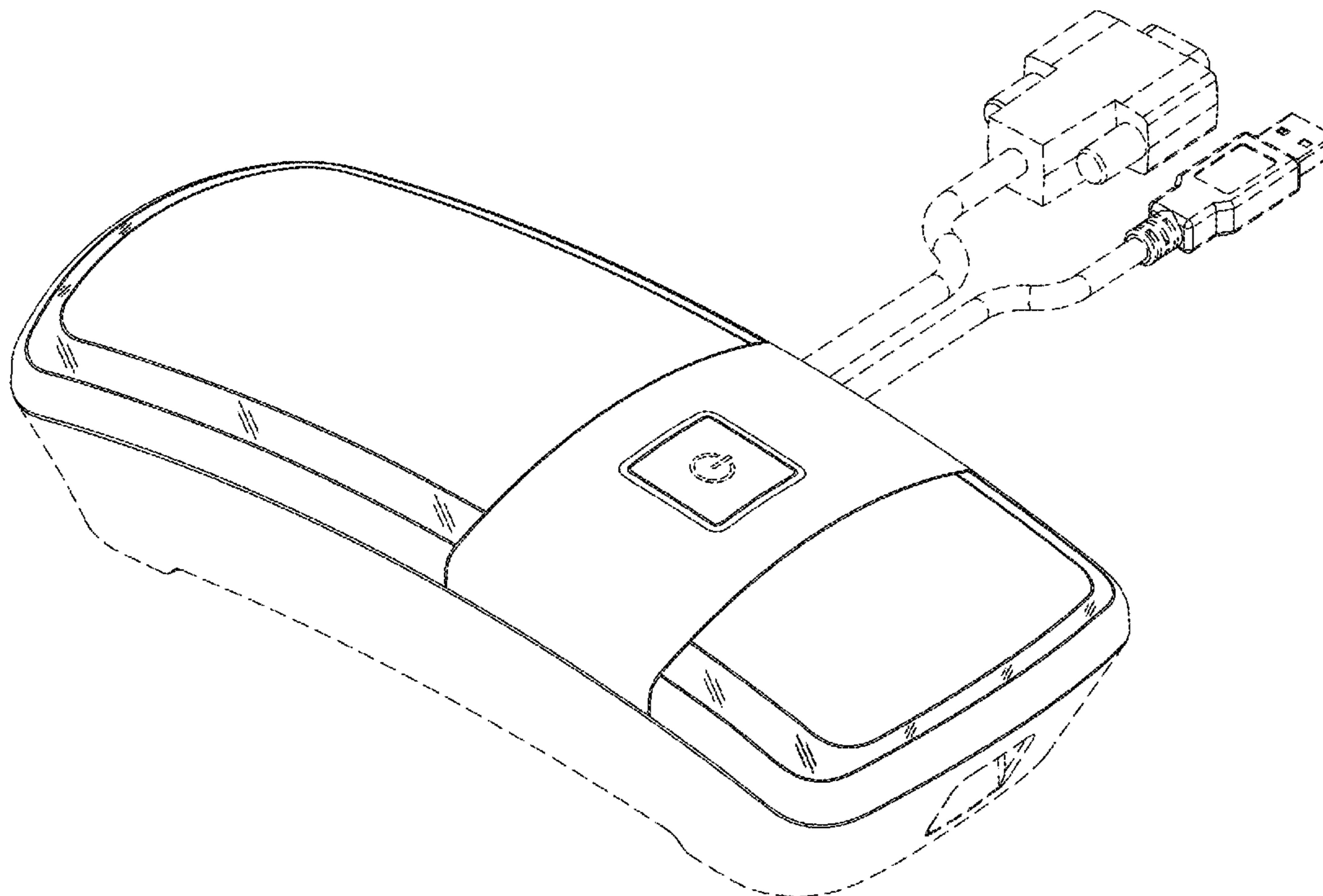


FIG. 1

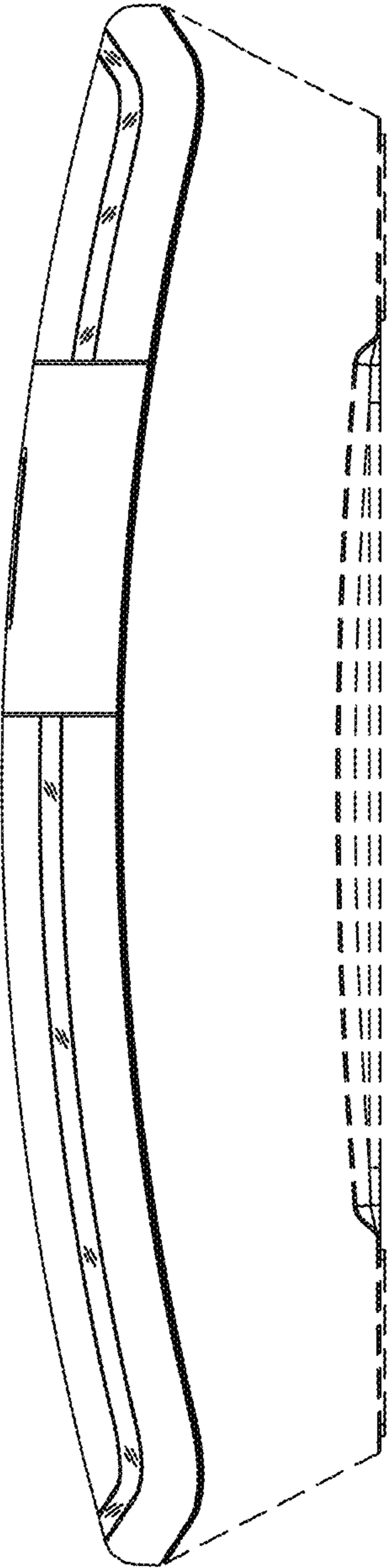
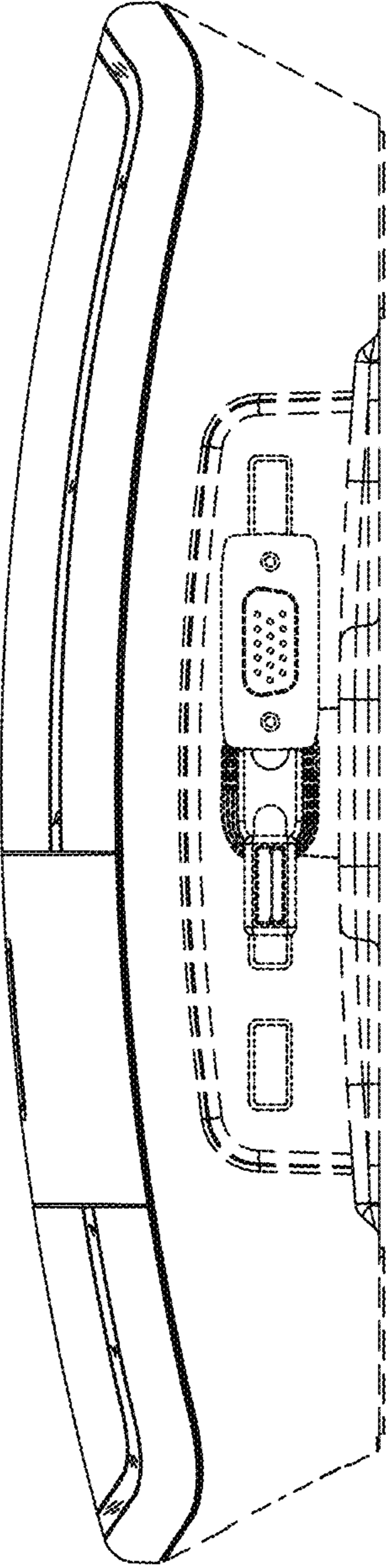


FIG. 2



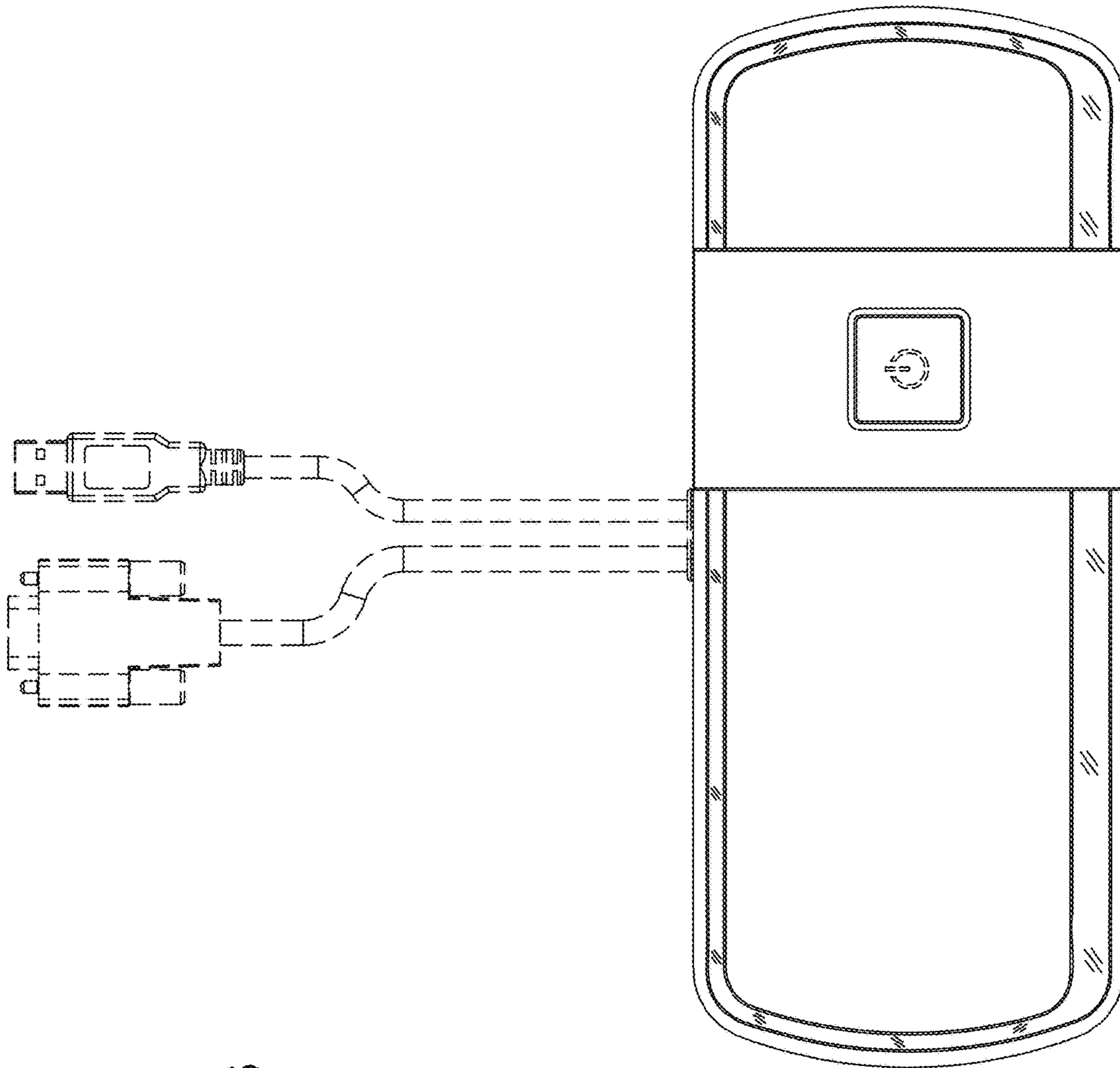


FIG. 3

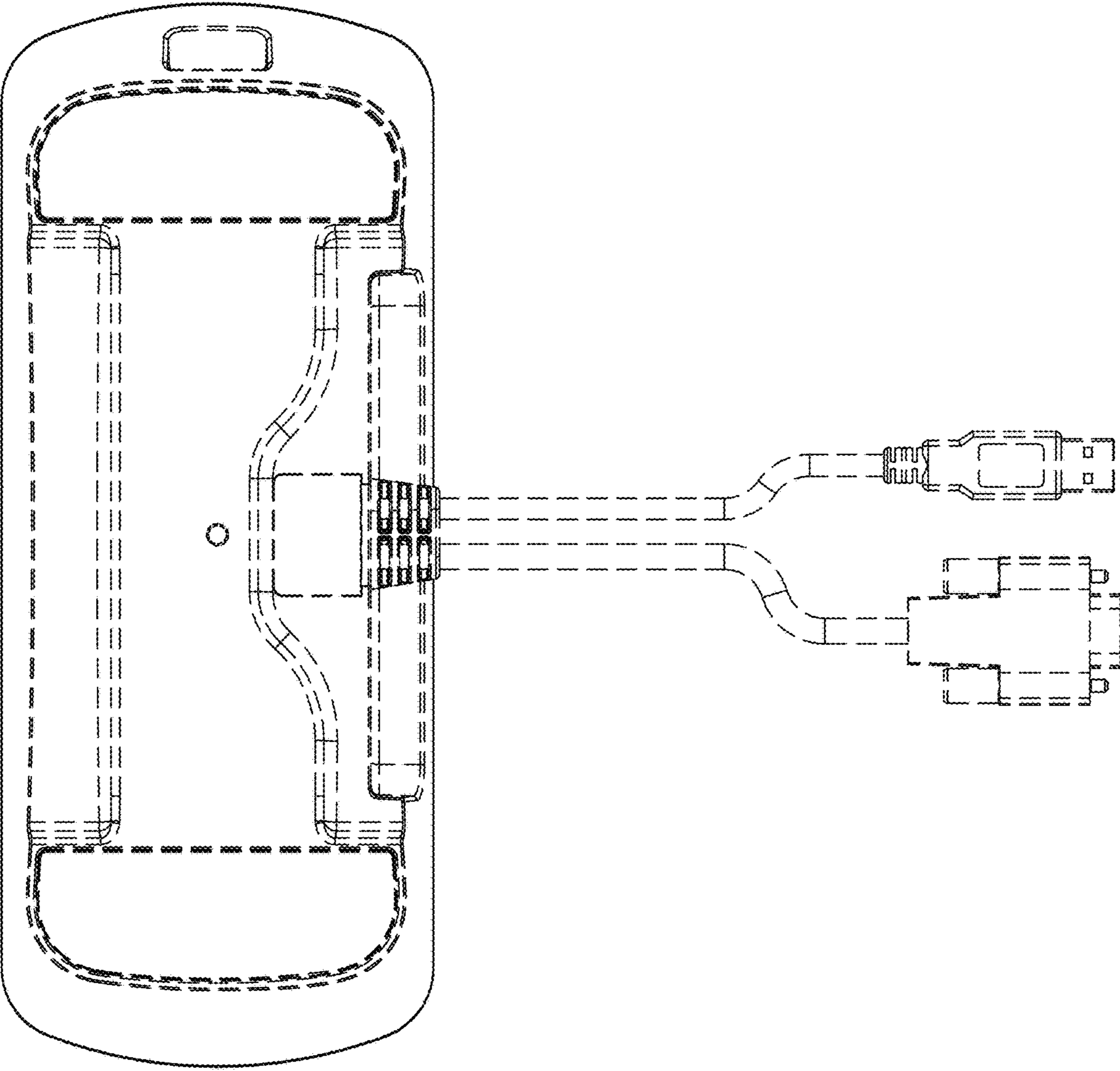
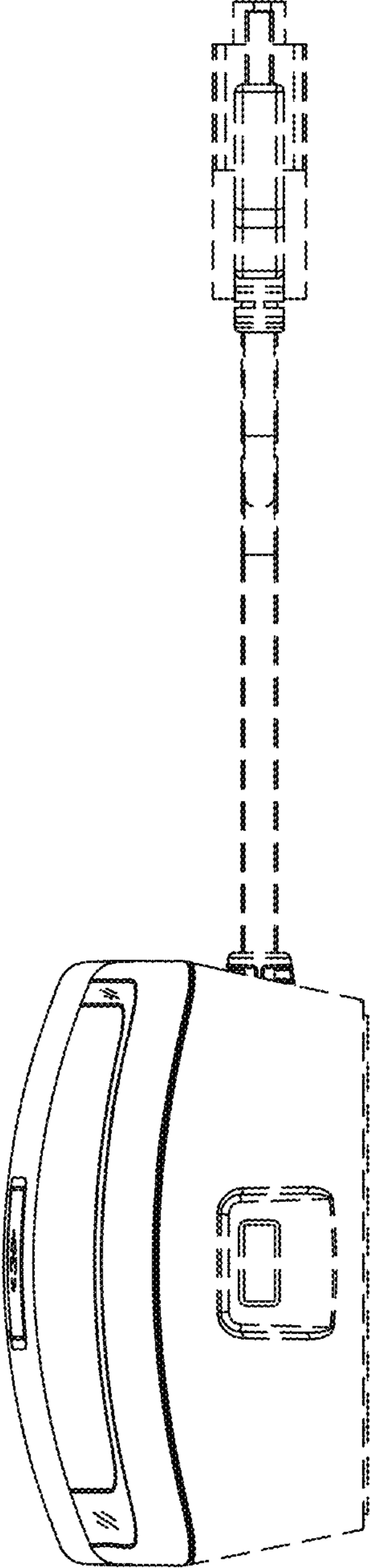


FIG. 4

FIG. 5



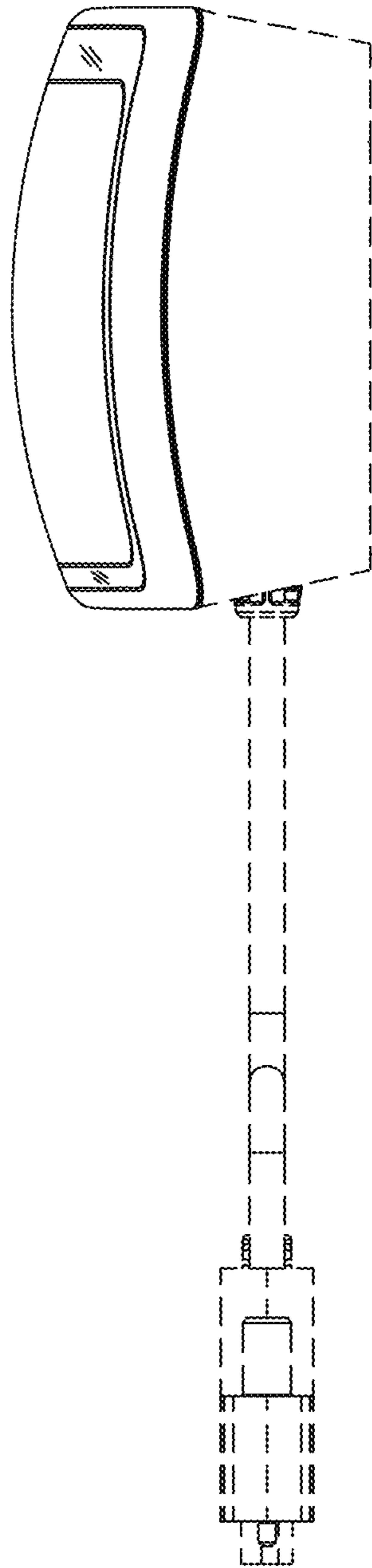


FIG. 6

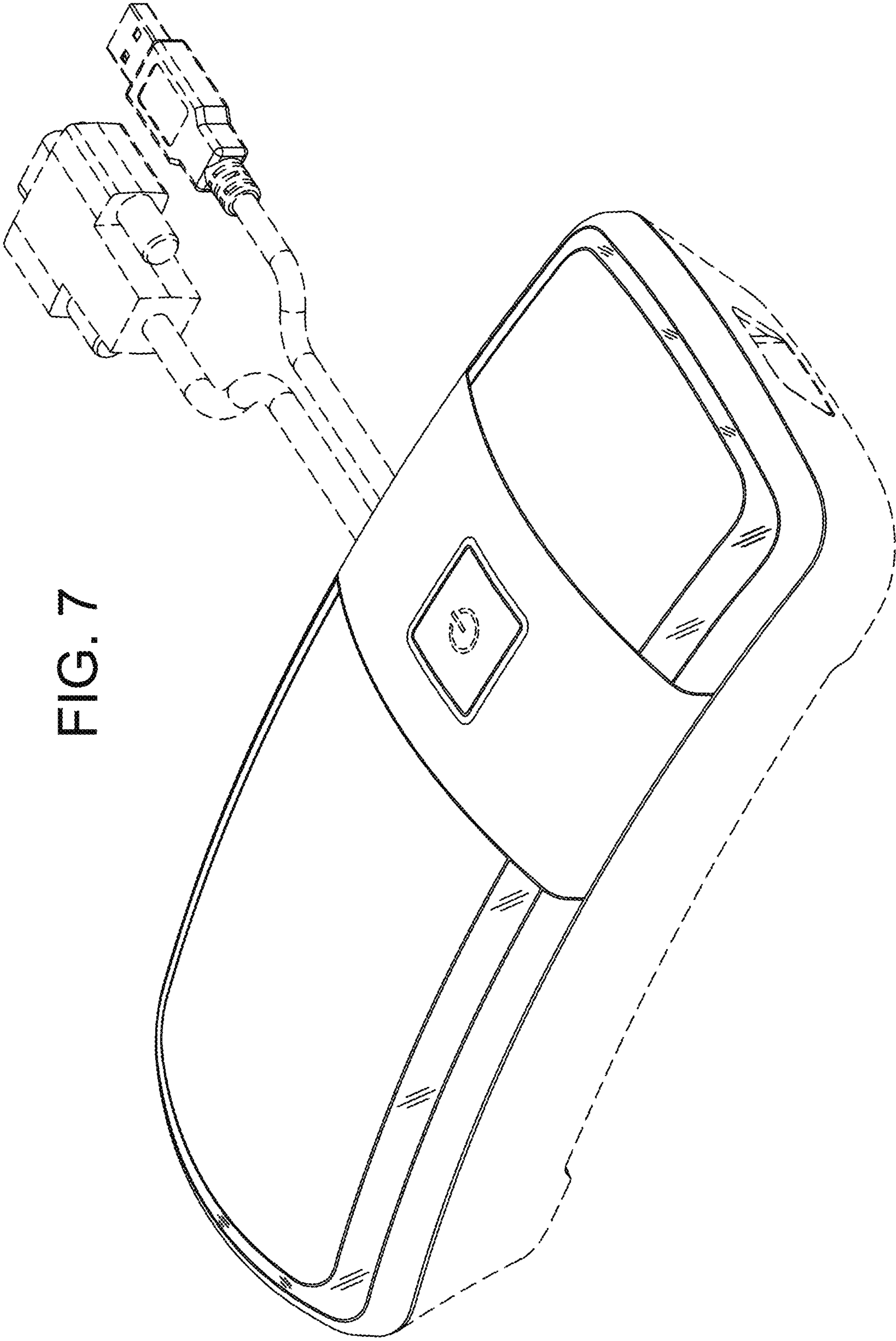


FIG. 7

FIG. 8

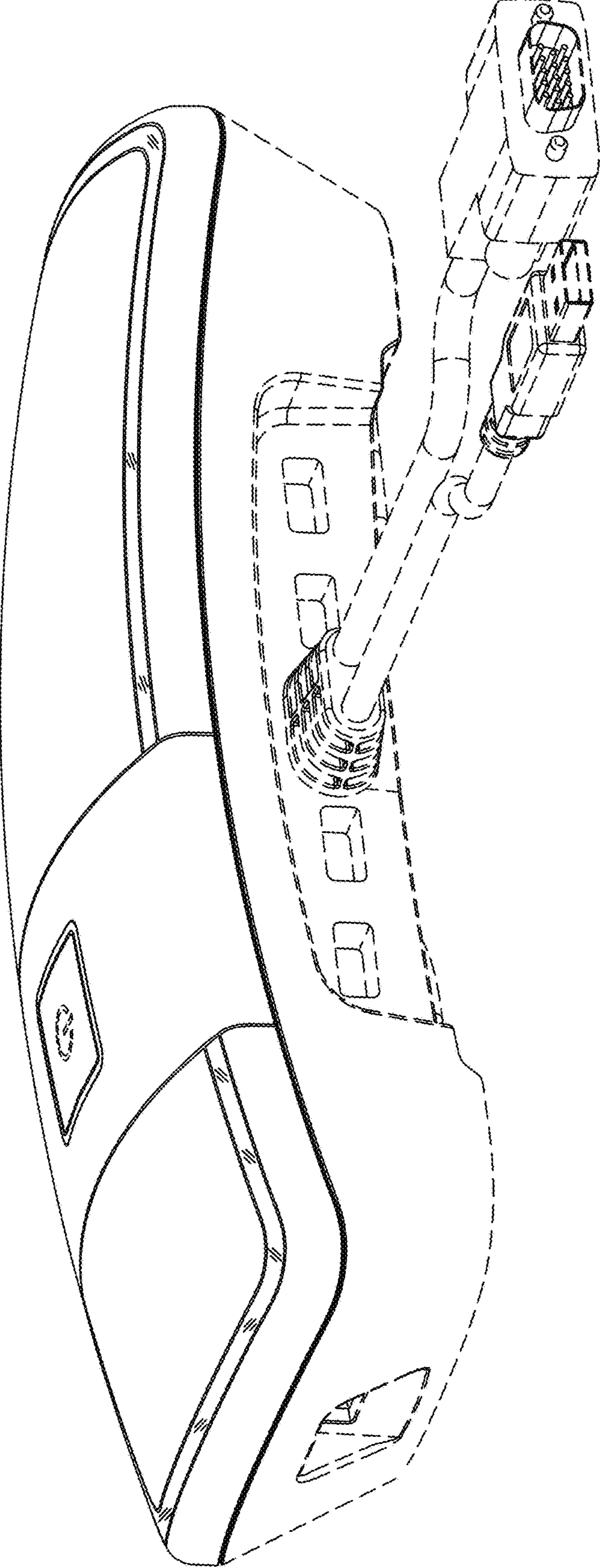
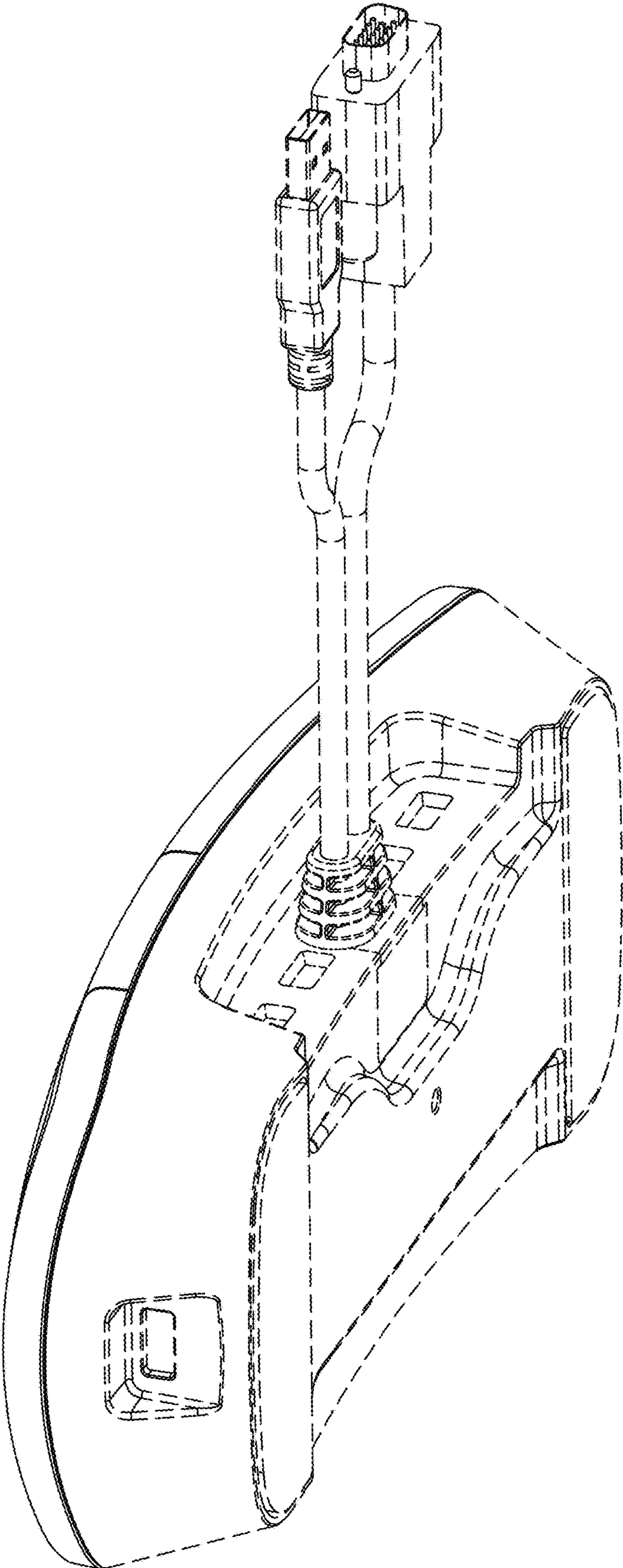


FIG. 9



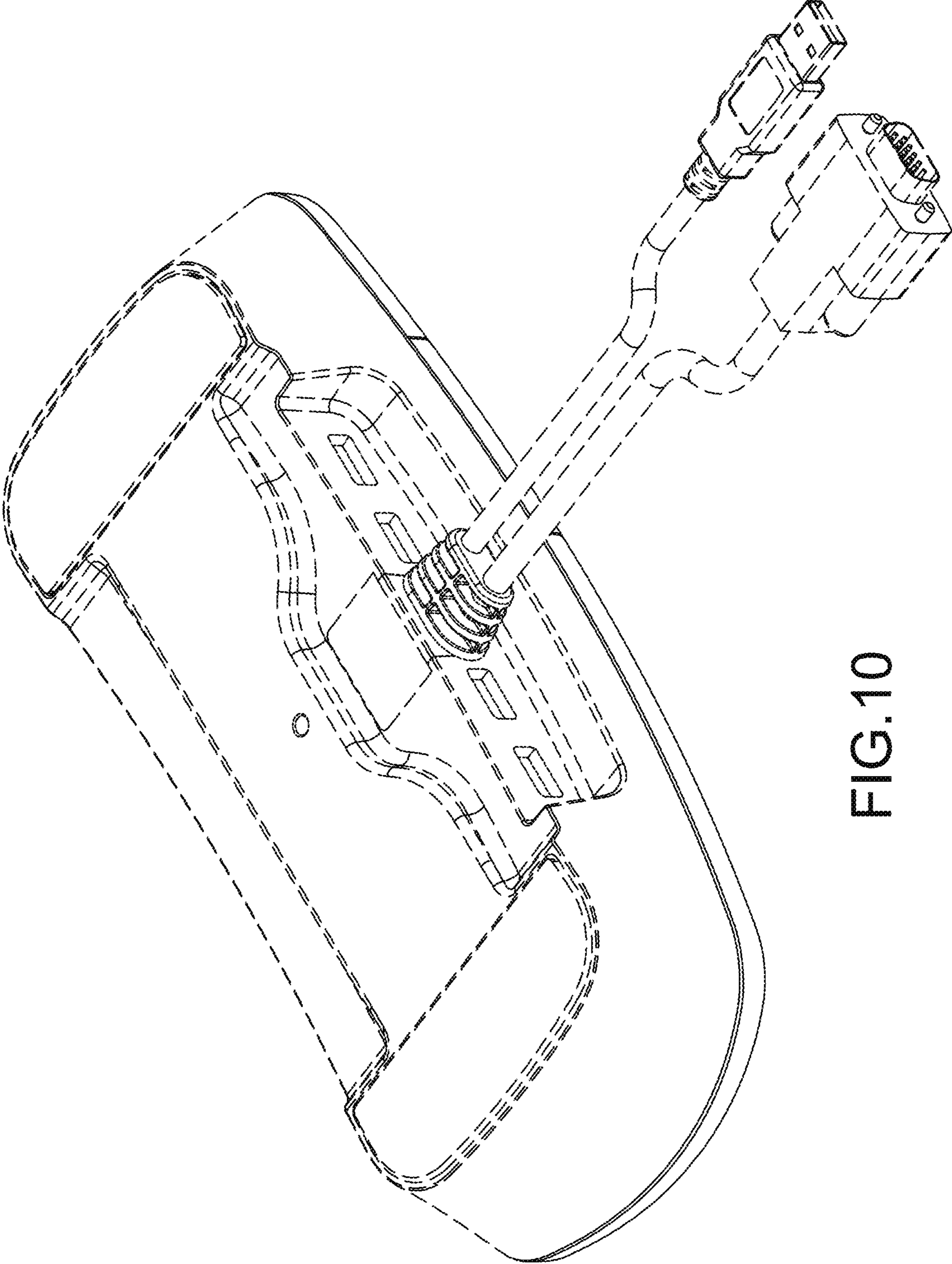


FIG.10