

US00D831214S

(12) **United States Design Patent** (10) **Patent No.:** **US D831,214 S**
Wickham et al. (45) **Date of Patent:** **** *Oct. 16, 2018**

(54) **SPINAL IMPLANT** 6,723,100 B2 * 4/2004 Biedermann A61B 17/7032
606/308

(71) Applicant: **Warsaw Orthopedic, Inc.**, Warsaw, IN 7,044,953 B2 5/2006 Capanni
(US) D524,941 S * 7/2006 Dixon D24/155
D566,841 S * 4/2008 Nishida D24/155
D577,121 S * 9/2008 Nishida D24/155
(72) Inventors: **Jeffrey N. Wickham**, Hernando, MS D583,944 S * 12/2008 Nishida D24/155
(US); **Mark C. Dace**, Collerville, TN D601,702 S * 10/2009 Gotfried D24/145
(US); **Alexander Vaccaro**, Gladwyne, 7,892,259 B2 * 2/2011 Biedermann A61B 17/7032
PA (US); **Brian A. O’Shaughnessy**, 606/246
Nashville, TN (US); **Andrew Hecht**, 7,905,905 B2 * 3/2011 Cragg A61B 17/70
New York, NY (US) 606/246
D642,270 S * 7/2011 McAfee D24/155
D666,295 S * 8/2012 Hung D24/156
(73) Assignee: **Warsaw Orthopedic, Inc.**, Warsaw, IN D688,799 S * 8/2013 Steinbrecher D24/155
(US) D725,269 S * 3/2015 Chung D24/155
D738,504 S * 9/2015 Weiner A61B 17/7291
D24/155
(*) Notice: This patent is subject to a terminal dis- D746,461 S * 12/2015 Butler D24/155
claimer. D749,738 S * 2/2016 Weiner D24/156
9,295,488 B2 3/2016 Asfora
(**) Term: **15 Years** 2003/0045881 A1 3/2003 Barouk et al.
2004/0044345 A1 3/2004 Demoss et al.

(21) Appl. No.: **29/552,512**

(22) Filed: **Jan. 22, 2016**

(51) **LOC (11) Cl.** **24-02**

(52) **U.S. Cl.**
USPC **D24/155**

(58) **Field of Classification Search**
USPC D24/155–157
CPC A61B 17/7037; A61B 17/7032; A61B
17/7291; A61B 17/8605; A61B 17/864;
A61B 17/8685; A61B 17/70; A61B
17/7011; A61B 17/7035; A61B 17/7082
See application file for complete search history.

(56) **References Cited**

U.S. PATENT DOCUMENTS

5,019,079 A 5/1991 Ross
D411,009 S 6/1999 Asfora
6,485,494 B1 * 11/2002 Haider A61B 17/7037
606/302

(Continued)

Primary Examiner — Charles D Hanson

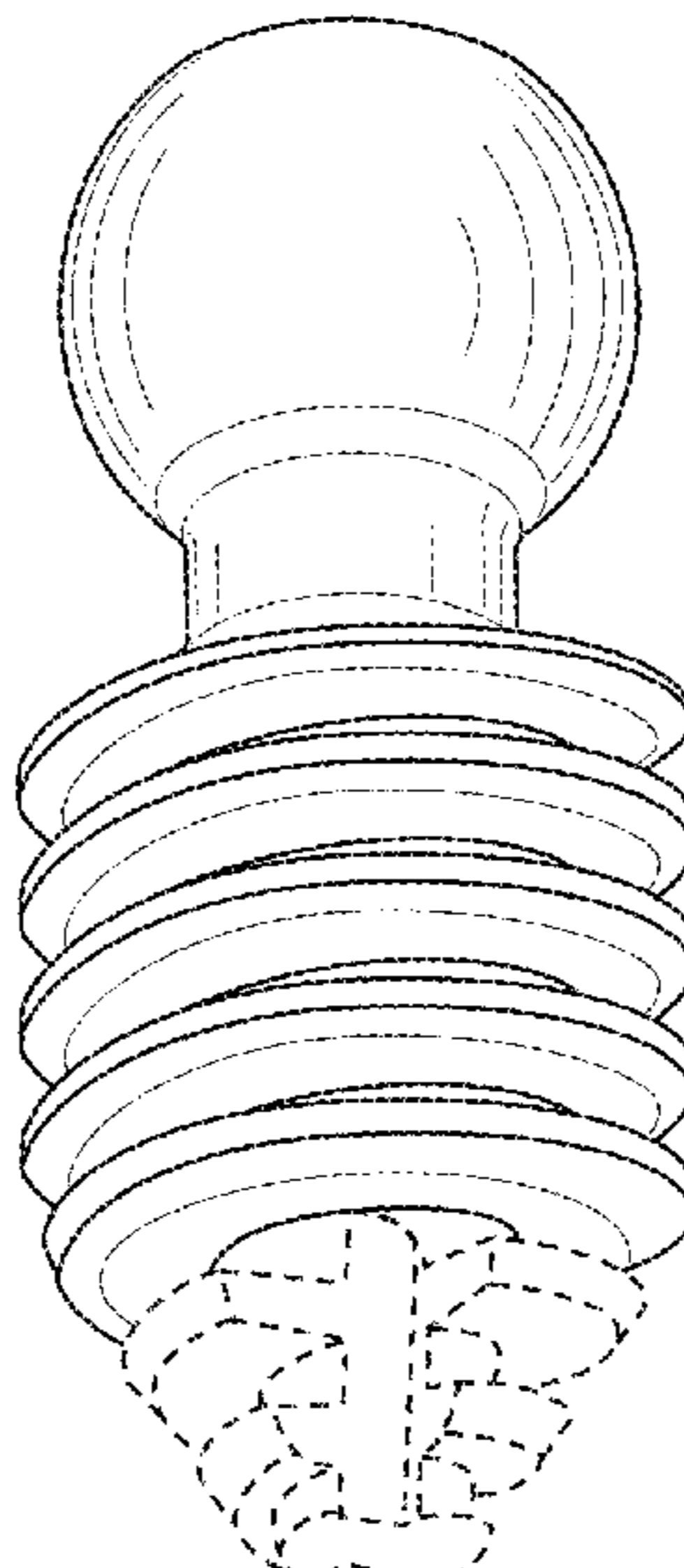
(57) **CLAIM**

The ornamental design for a spinal implant, as shown and described.

DESCRIPTION

FIG. 1 is a perspective view of a spinal implant;
FIG. 2 is a side view of the spinal implant;
FIG. 3 is a side view of the spinal implant;
FIG. 4 is a side view of the spinal implant;
FIG. 5 is a side view of the spinal implant;
FIG. 6 is a top view of the spinal implant; and,
FIG. 7 is a bottom view of the spinal implant.
The broken line showing is included for the purpose of illustrating unclaimed subject matter and forms no part of the claimed design.

1 Claim, 6 Drawing Sheets



(56)

References Cited

U.S. PATENT DOCUMENTS

2004/0267264 A1* 12/2004 Konieczynski A61B 17/7032
606/289
2005/0277928 A1* 12/2005 Boschert A61B 17/7037
606/328
2008/0015579 A1* 1/2008 Whipple A61B 17/7037
606/250
2008/0015597 A1* 1/2008 Whipple A61B 17/7037
606/250
2008/0262556 A1* 10/2008 Jacofsky A61B 17/7037
606/308
2009/0254125 A1* 10/2009 Predick A61B 17/7037
606/264
2010/0023061 A1* 1/2010 Randol A61B 17/7037
606/278
2012/0316605 A1* 12/2012 Palagi A61B 17/7037
606/305
2015/0088266 A1* 3/2015 Sander A61F 2/4241
623/21.19
2015/0094778 A1* 4/2015 McCormick A61B 17/86
606/319

* cited by examiner

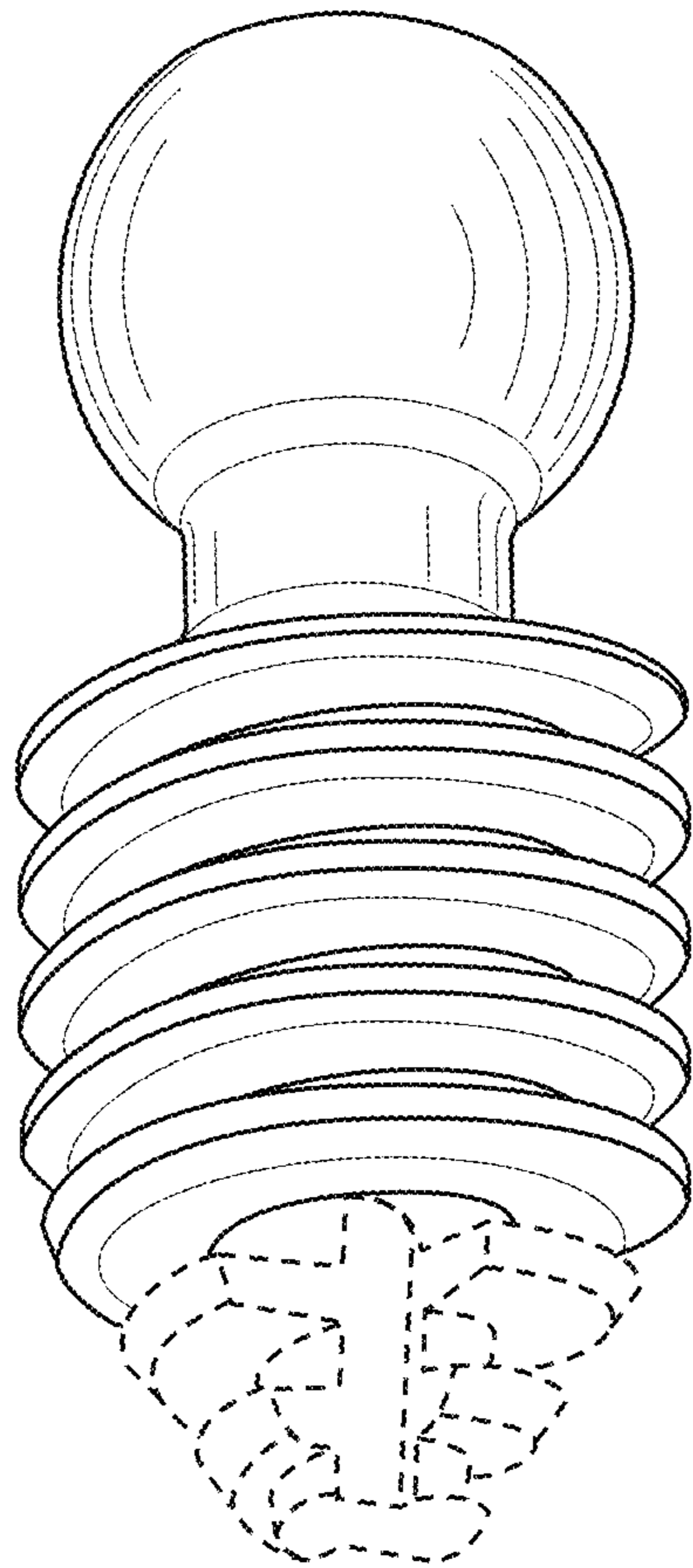


FIG. 1

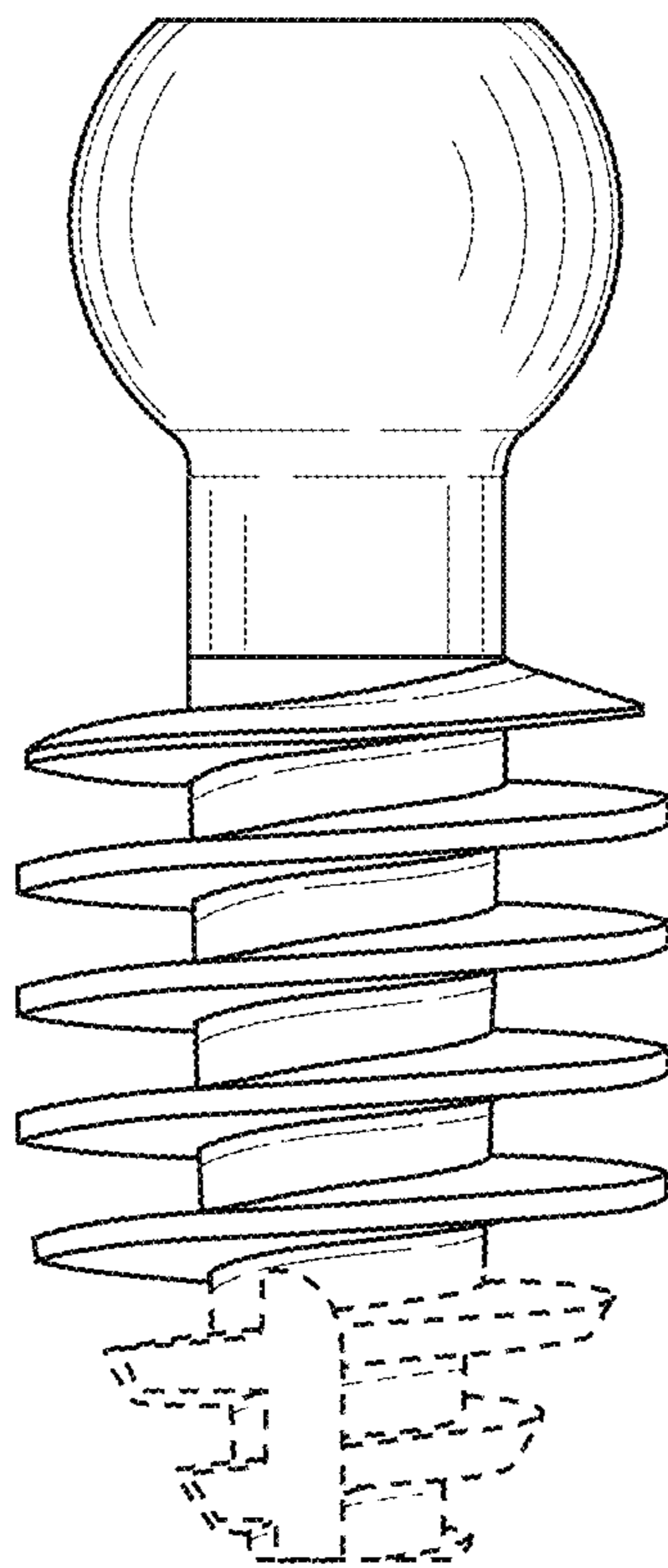


FIG. 2

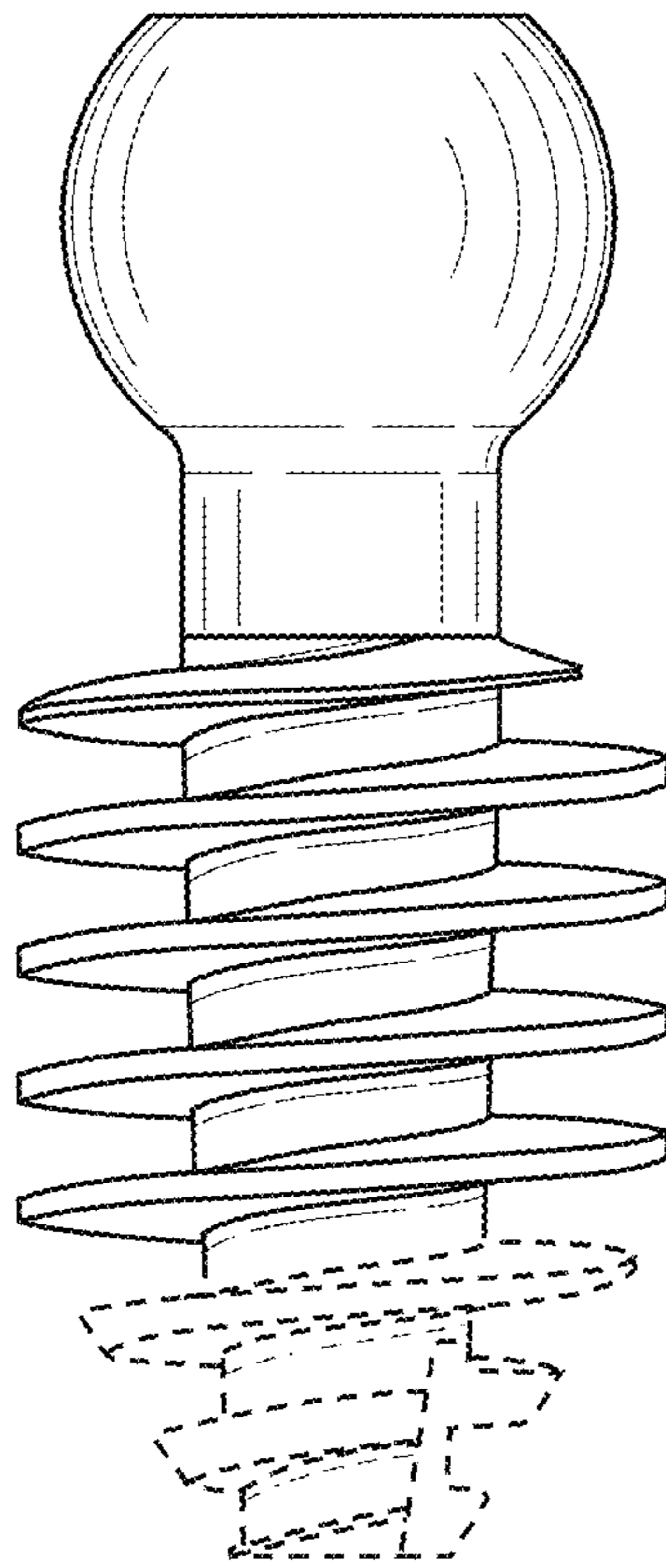


FIG. 3

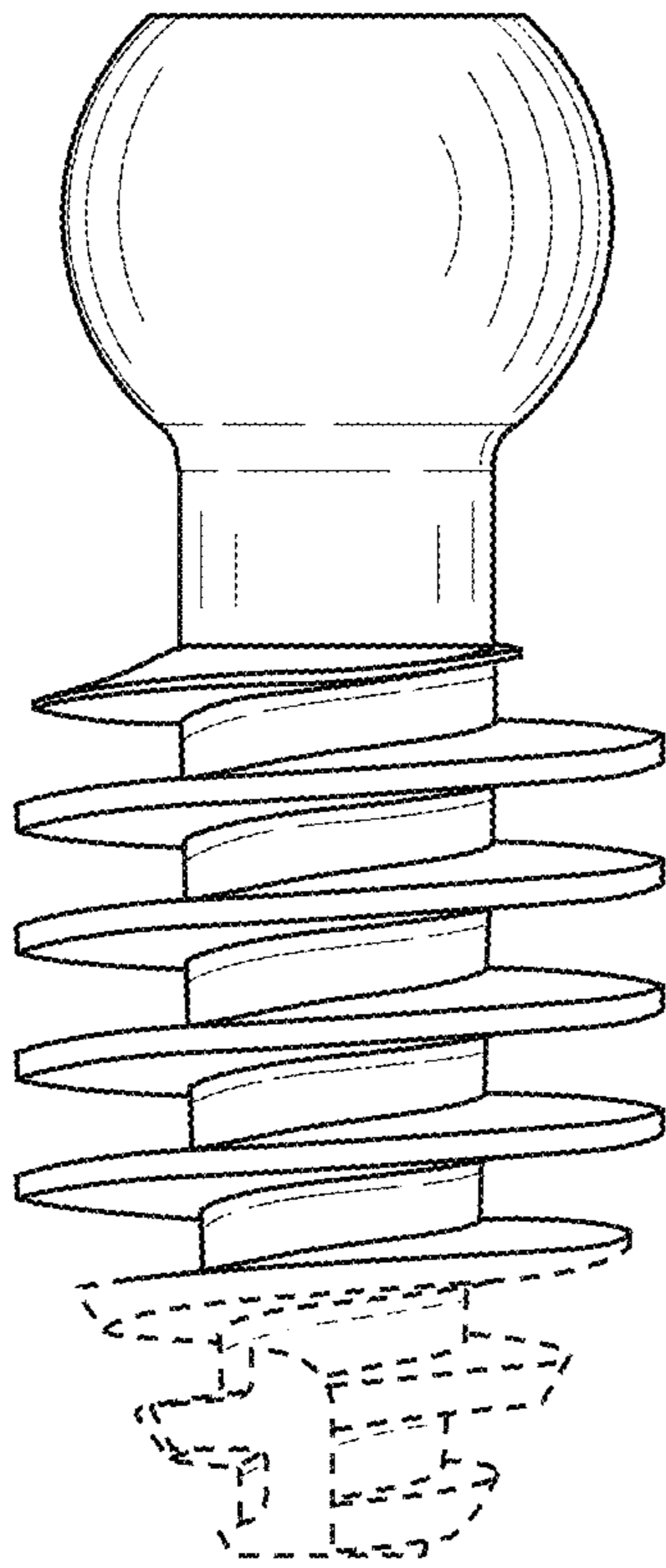


FIG. 4

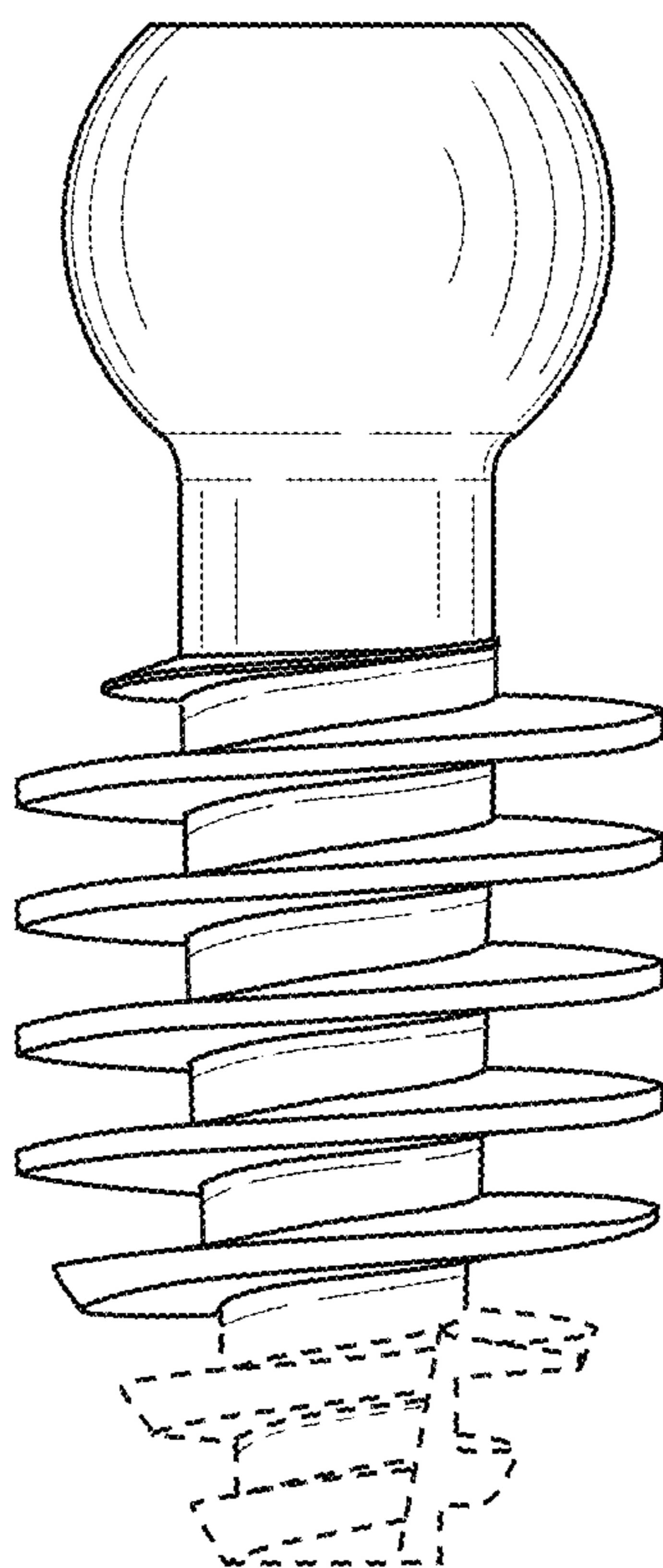


FIG. 5

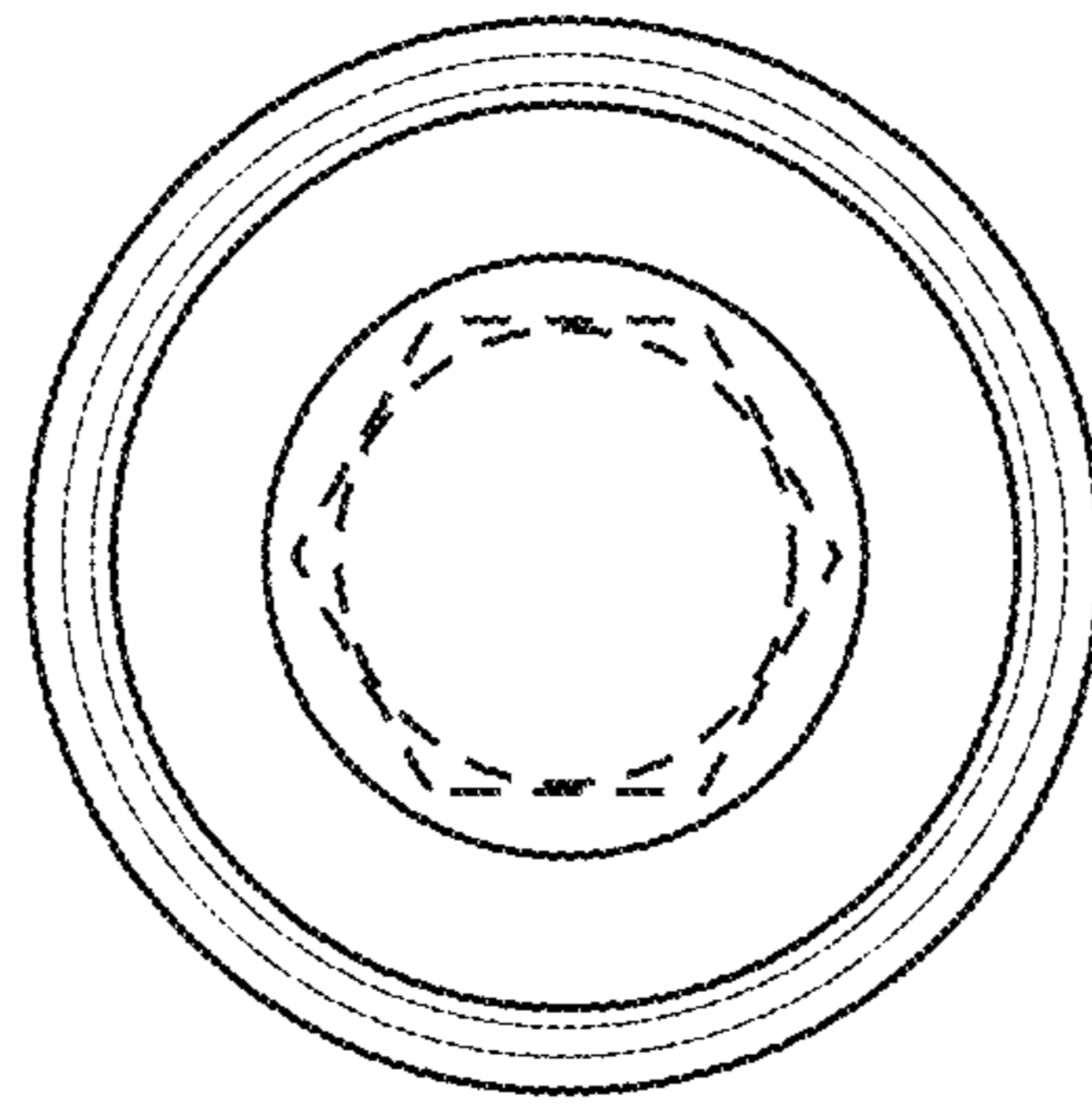


FIG. 6

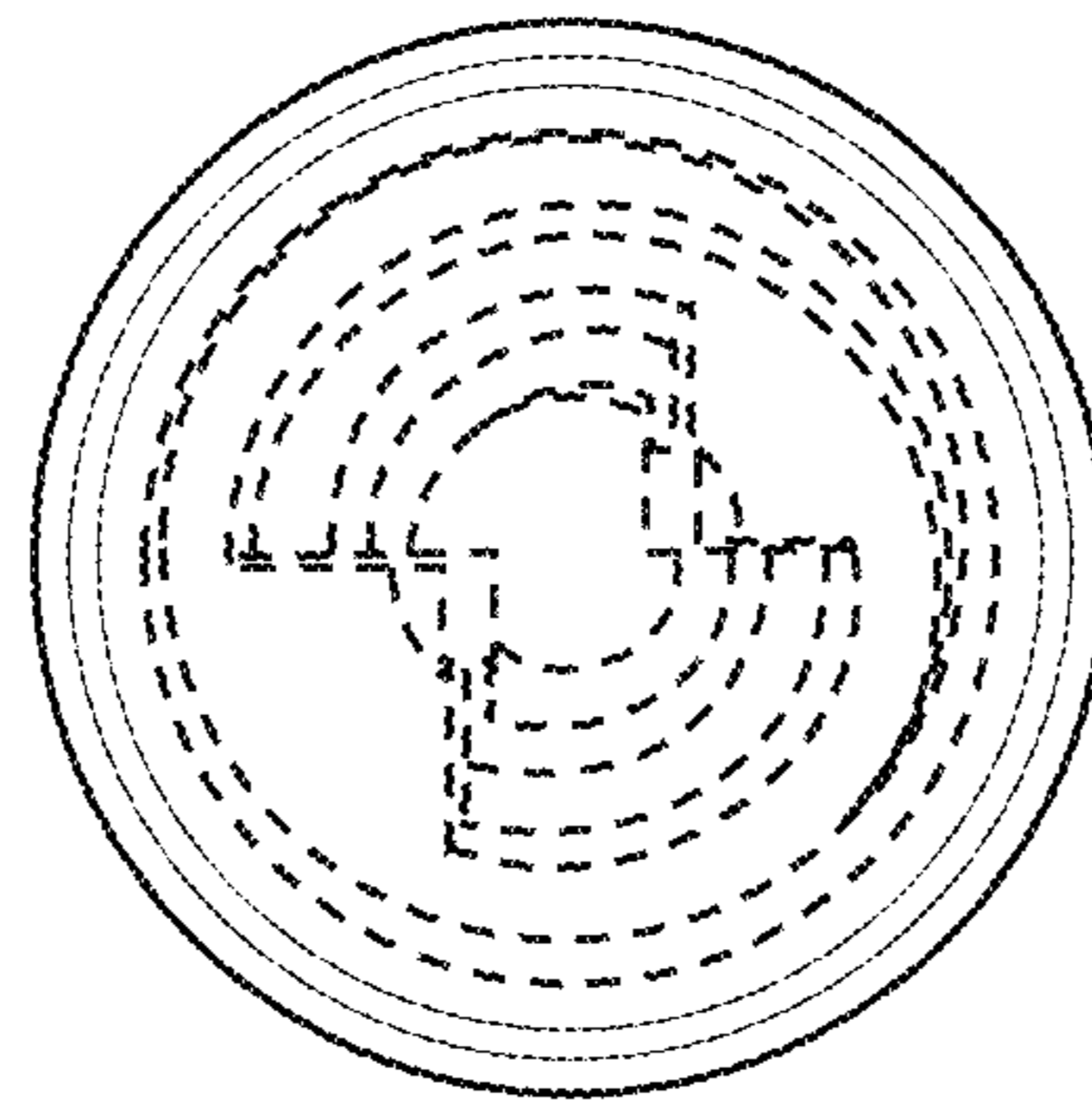


FIG. 7