



US00D831213S

(12) **United States Design Patent** (10) **Patent No.:** **US D831,213 S**  
**Kuun** (45) **Date of Patent:** **\*\* Oct. 16, 2018**

(54) **DEPTH ADJUSTABLE SURGICAL PIN**  
(71) Applicant: **Thomas Kuun**, Tonawanda, NY (US)  
(72) Inventor: **Thomas Kuun**, Tonawanda, NY (US)  
(\*\*) Term: **15 Years**  
(21) Appl. No.: **29/586,666**  
(22) Filed: **Dec. 6, 2016**  
(51) **LOC (11) Cl.** ..... **24-02**  
(52) **U.S. Cl.**  
USPC ..... **D24/147**  
(58) **Field of Classification Search**  
USPC ..... D24/112, 113, 114, 115, 116, 117, 118,  
D24/133, 134, 135, 136, 146, 147, 155,  
D24/156, 189; D8/52, 53, 54, 55, 56, 57,  
D8/58, 59, 60  
CPC . A61B 17/685; A61B 17/1697; A61B 17/064;  
A61B 17/0642; A61B 17/1615; A61B  
17/30; A61B 17/56; A61B 17/846  
See application file for complete search history.

(56) **References Cited**  
U.S. PATENT DOCUMENTS  
5,895,396 A \* 4/1999 Day ..... A61B 17/064  
606/151  
D469,871 S \* 2/2003 Sand ..... D24/133  
D587,369 S \* 2/2009 Hickok ..... D24/144  
D588,270 S \* 3/2009 Hickok ..... D24/144  
D597,667 S \* 8/2009 Racz ..... D24/112  
D644,326 S \* 8/2011 Voic ..... D24/144  
D644,327 S \* 8/2011 Singh ..... D15/139  
D737,443 S \* 8/2015 Ciravolo ..... D24/147  
2002/0007185 A1\* 1/2002 Aghion ..... A61B 17/685  
606/66

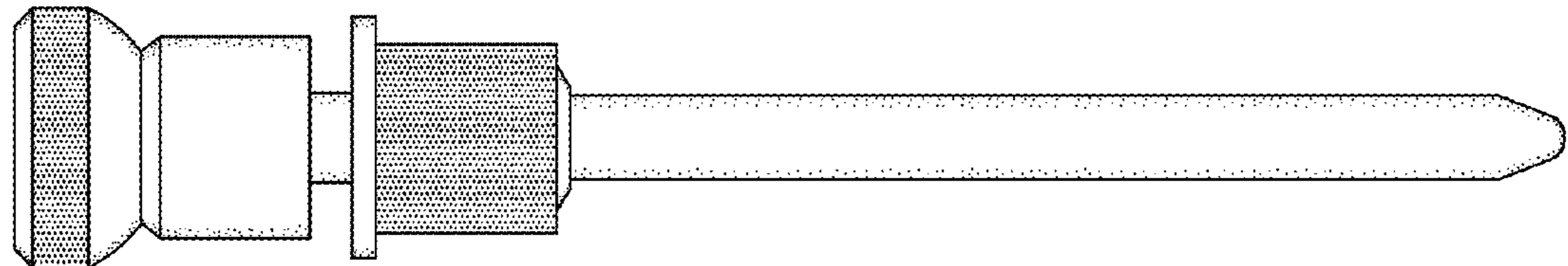
2002/0128656 A1\* 9/2002 Delmi ..... A61B 17/685  
606/916  
2008/0300591 A1\* 12/2008 Darian ..... A61B 17/32006  
606/41  
2014/0100580 A1\* 4/2014 Yu ..... A61B 17/1697  
606/96  
2015/0230785 A1\* 8/2015 DeVere, Jr. .... A61B 17/02  
600/213  
2016/0242792 A1\* 8/2016 Sasing ..... A61B 17/162  
\* cited by examiner

*Primary Examiner* — Cathron C Brooks  
*Assistant Examiner* — Samantha Q. Lawrence  
(74) *Attorney, Agent, or Firm* — Vincent G. LoTempio;  
Kloss, Stenger & LoTempio; David T. Stephenson

(57) **CLAIM**  
The ornamental design for a depth adjustable surgical pin, as shown and described.

**DESCRIPTION**  
FIG. 1 is a front view of a depth adjustable surgical pin, the rear view being a mirror image thereof;  
FIG. 2 is a top view of my design;  
FIG. 3 is a bottom view of my design;  
FIG. 4 is a right perspective view with the housing engaged with threads on the retention rod, with the left perspective image being a mirror image of my design;  
FIG. 5 is a right side view of the housing positioned on the retention rod away from the threads, with the left view being a mirror image of my design;  
FIG. 6 is a right side exploded view showing my design; and,  
FIG. 7 is a right exploded perspective view showing my design.

**1 Claim, 5 Drawing Sheets**



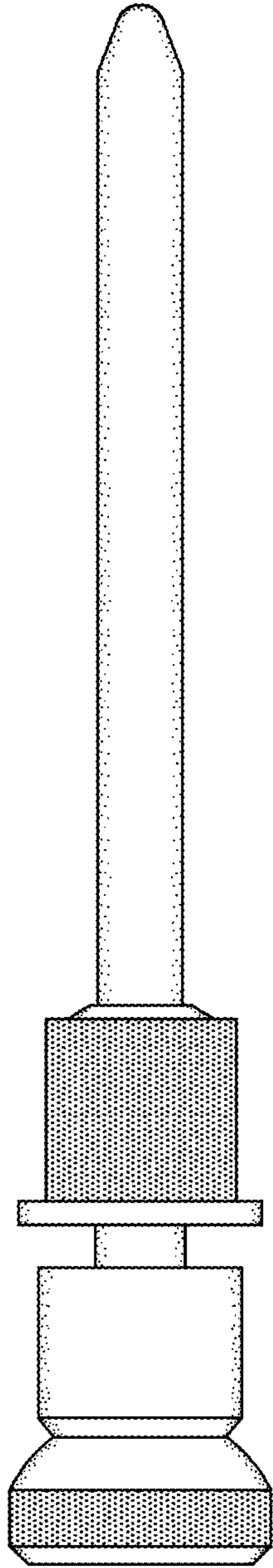


FIG. 1

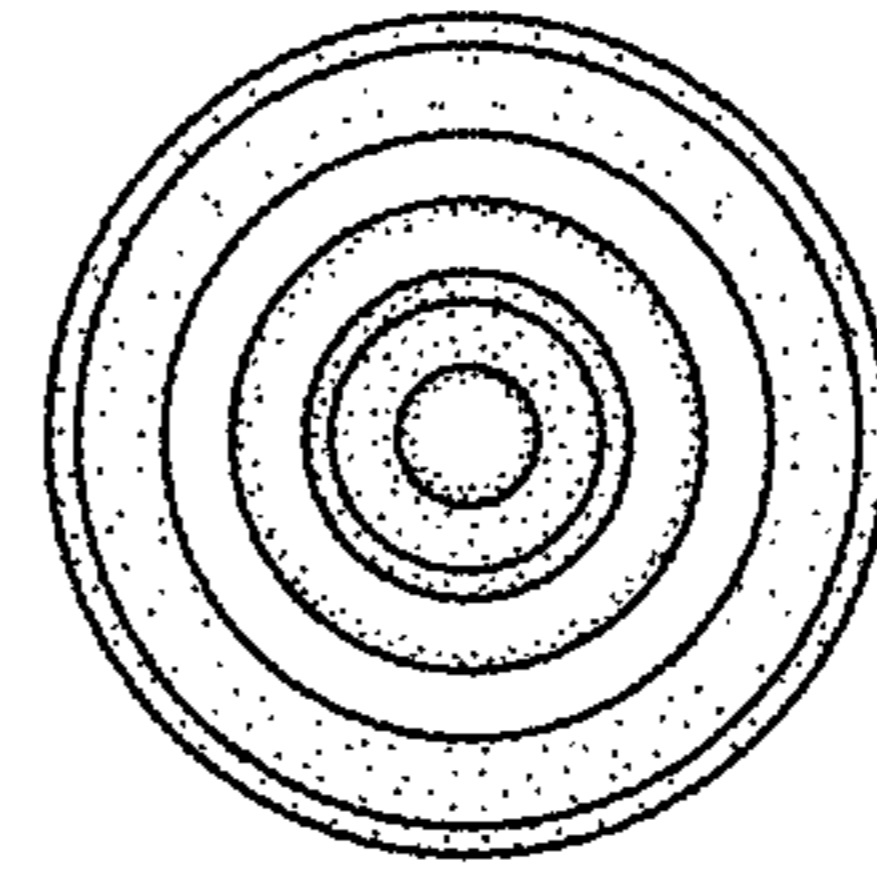


FIG. 3

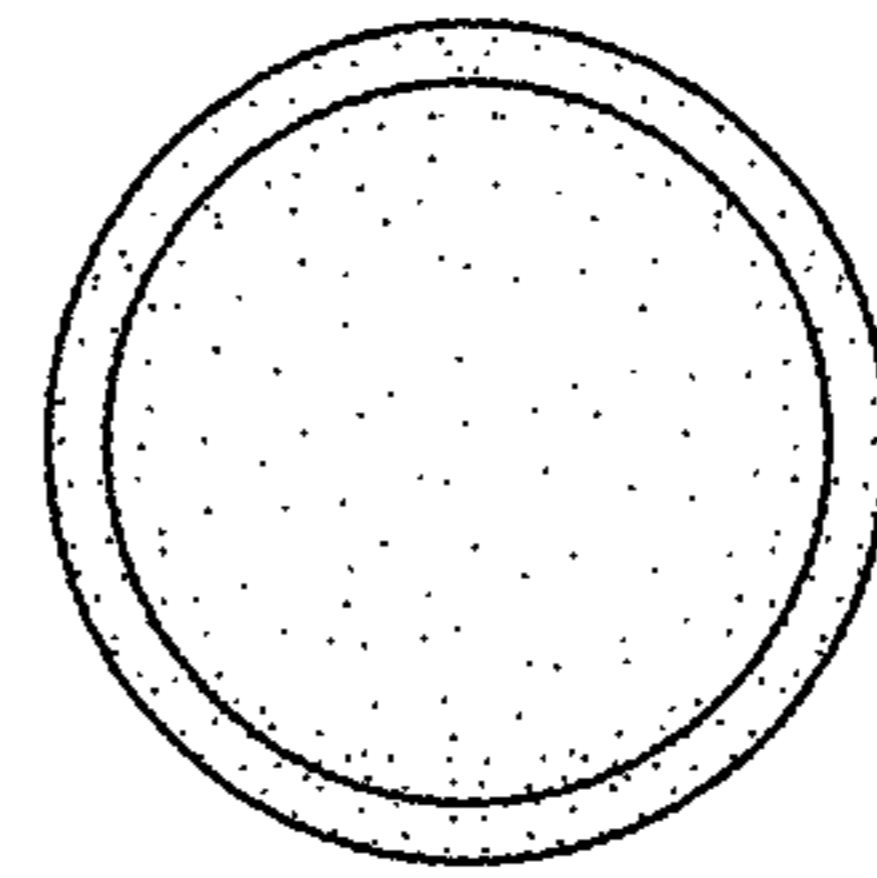


FIG. 2

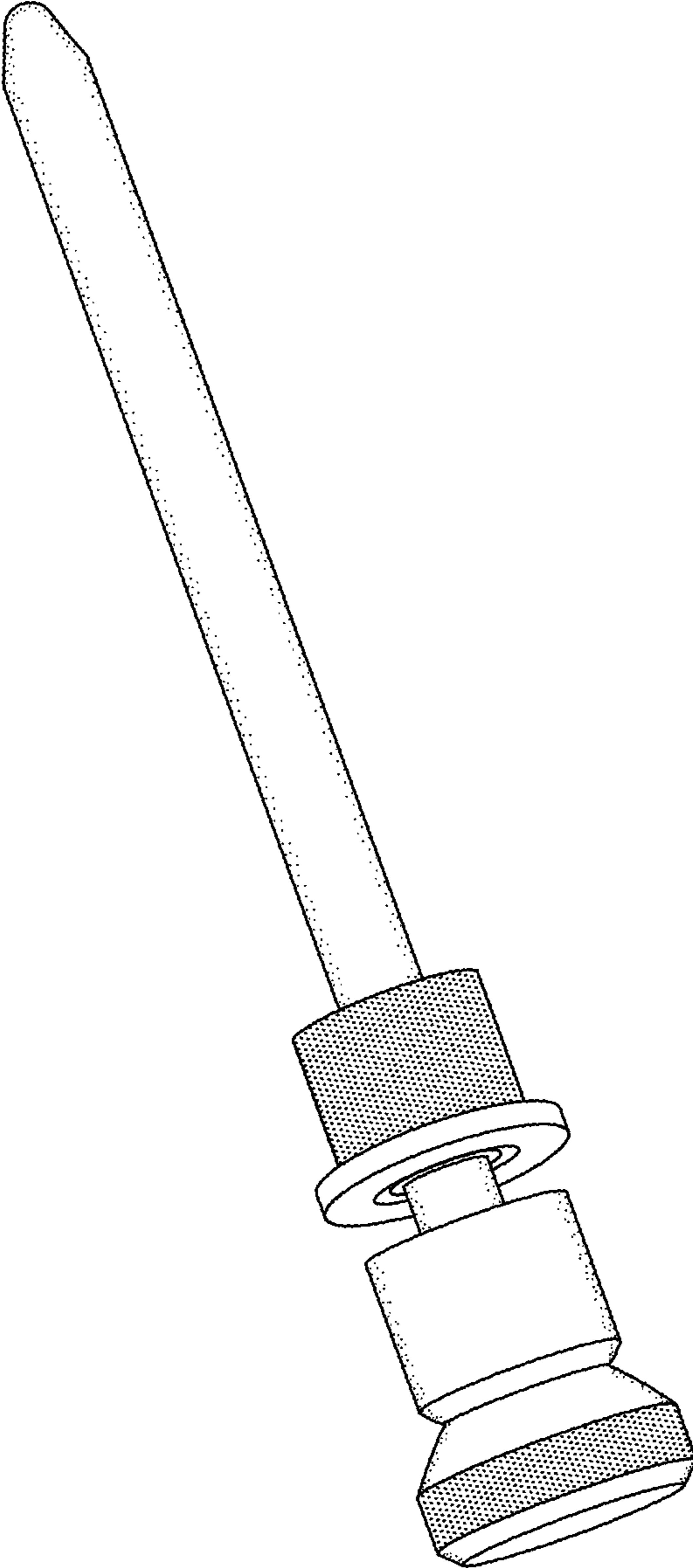


FIG. 4

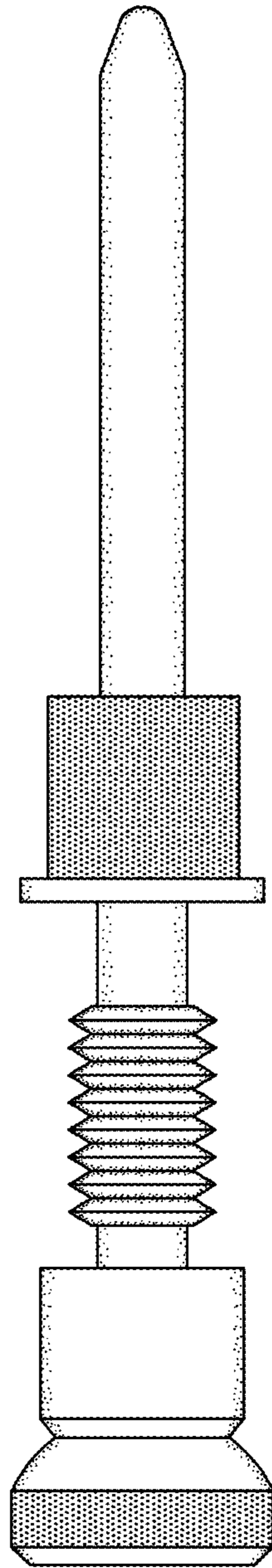


FIG. 5

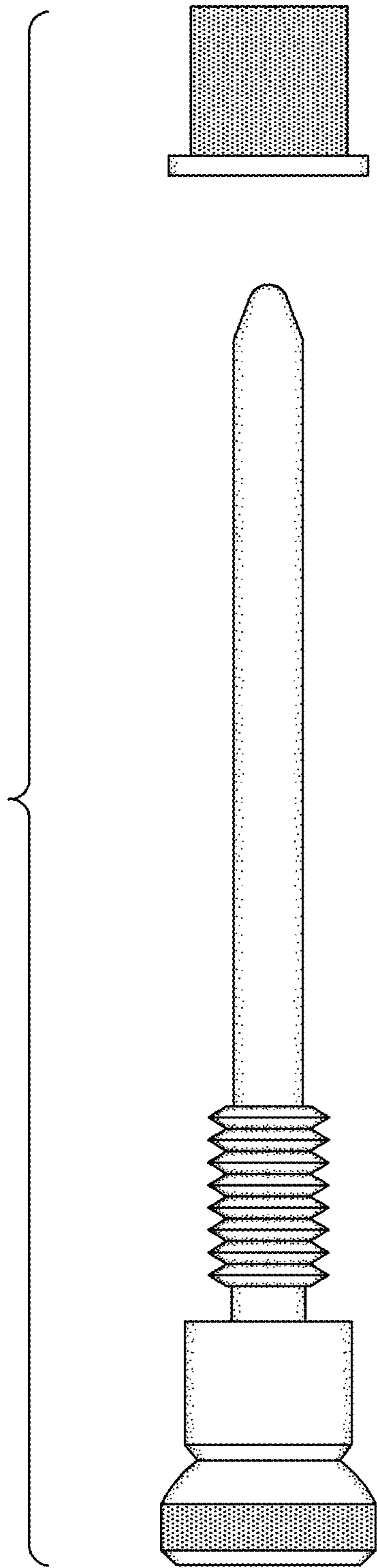


FIG. 6

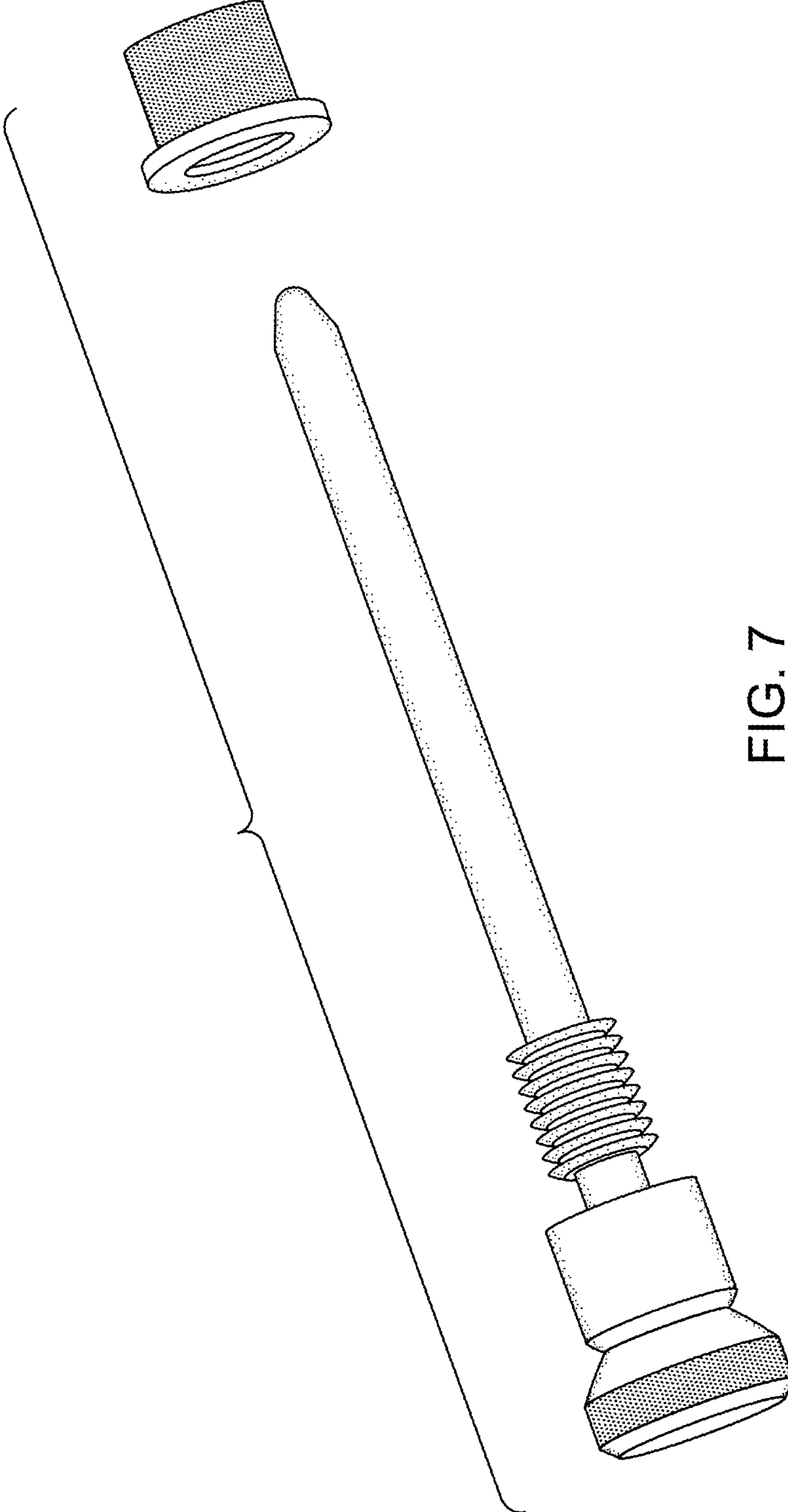


FIG. 7