



US00D831212S

(12) **United States Design Patent** (10) **Patent No.:** **US D831,212 S**
Clifford et al. (45) **Date of Patent:** **** *Oct. 16, 2018**

(54) **SURGICAL SAW**
(71) Applicant: **Stryker Corporation**, Kalamazoo, MI (US)

D594,983 S * 6/2009 Price D24/133
D620,593 S * 7/2010 Tran D24/144
D687,549 S * 8/2013 Johnson D24/133
D700,966 S * 3/2014 O'Leary D24/146
(Continued)

(72) Inventors: **Steven T. Clifford**, Byron Center, MI (US); **James K. Beachnau**, Portage, MI (US); **Craig E. Volstromer**, Marshall, MI (US); **Aaron T. Johnson**, Vicksburg, MI (US); **Benjamin Purrenhage**, Kalamazoo, MI (US)

OTHER PUBLICATIONS

Stryker Corporation, "Cordless Driver 3 / CD4 Proficiency Assessment," 2015, 4 pages.
(Continued)

(73) Assignee: **Stryker Corporation**, Kalamazoo, MI (US)

Primary Examiner — Thomas J Johannes
Assistant Examiner — Samantha Q. Lawrence
(74) *Attorney, Agent, or Firm* — Howard & Howard Attorneys PLLC

(*) Notice: This patent is subject to a terminal disclaimer.

(**) Term: **15 Years**

(57) **CLAIM**

The ornamental design for a surgical saw, as shown and described.

(21) Appl. No.: **29/598,904**

(22) Filed: **Mar. 29, 2017**

DESCRIPTION

(51) **LOC (11) Cl.** **24-02**

(52) **U.S. Cl.**
USPC **D24/146**

(58) **Field of Classification Search**
USPC D24/127, 130, 133, 146, 147, 148;
D8/93, 97, 300, 310, 311, 313; D19/110,
D19/115; D7/649
CPC B26B 3/00; B26B 1/10; A61B 17/089;
A61B 17/1617; A61B 17/3211; A61B
17/3417; A61B 5/1411; A61B 17/1624;
A61B 17/162; A61B 17/1622; A61B
2017/00424

FIG. 1 is a top, front perspective view of a surgical saw; FIG. 2 is a top, front left perspective view thereof; FIG. 3 is a bottom, front right perspective view thereof; FIG. 4 is a bottom, front left perspective view thereof; FIG. 5 is a top, rear right perspective view thereof; FIG. 6 is a top, rear left perspective view thereof; FIG. 7 is a bottom, rear right perspective view thereof; FIG. 8 is a bottom, rear left perspective view thereof; FIG. 9 is a left side elevational view thereof; FIG. 10 is a right side elevational view thereof; FIG. 11 is a bottom plan view thereof; and, FIG. 12 is a rear elevational view thereof.

See application file for complete search history.

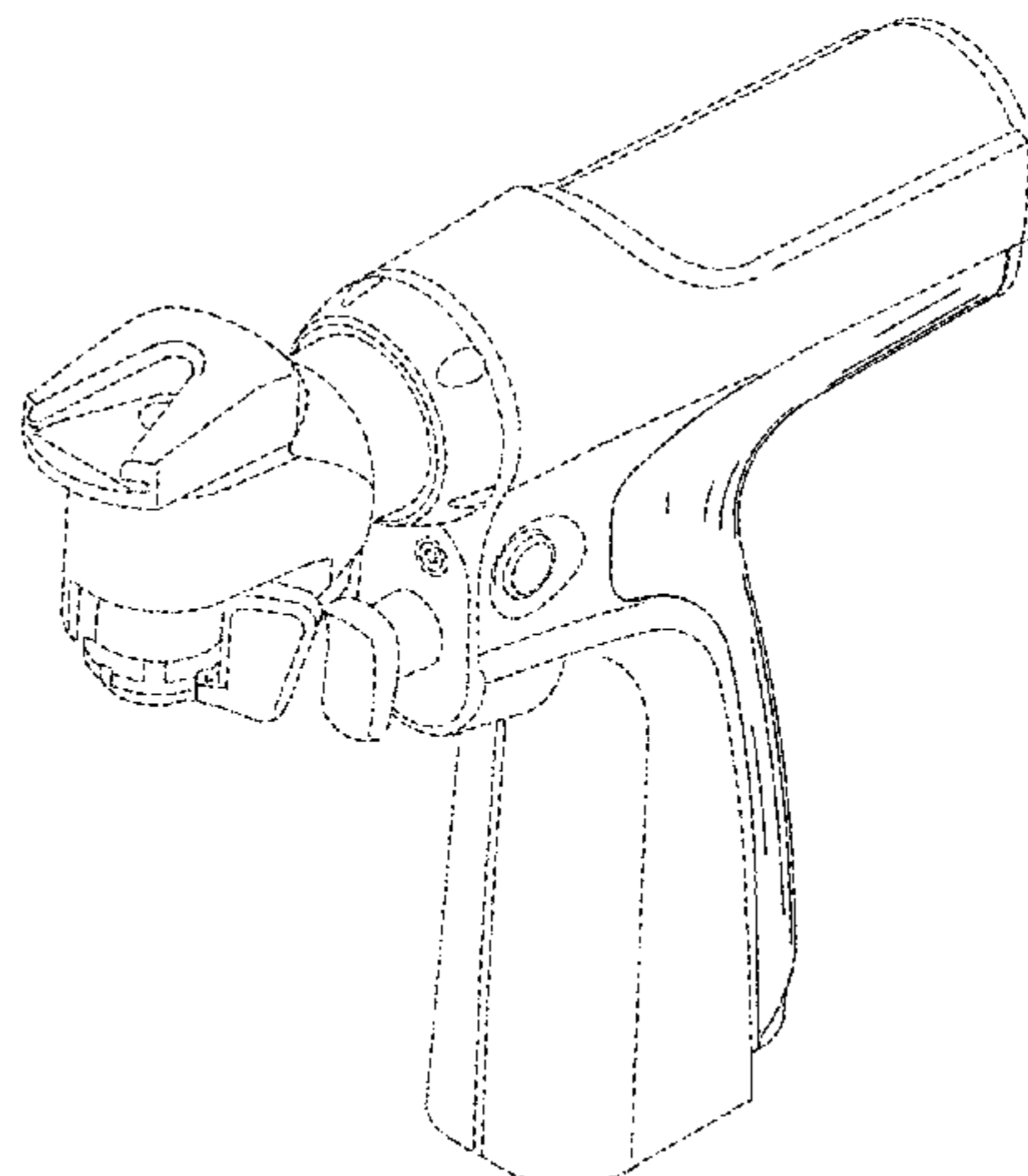
The broken lines shown in FIGS. 1-12 illustrate portions of the surgical saw that form no part of the claimed design. Additionally, the broken lines shown in FIGS. 5-12, which surround a rear surface and notch under the rear surface illustrate portions of the surgical saw that form no part of the claimed design.

(56) **References Cited**

U.S. PATENT DOCUMENTS

D329,092 S * 9/1992 Carusillo D24/146
D364,463 S * 11/1995 Pitzen D24/146
5,993,454 A * 11/1999 Longo A61B 17/1624
606/80

1 Claim, 12 Drawing Sheets



(56)

References Cited

U.S. PATENT DOCUMENTS

D709,194 S * 7/2014 Miller D24/143
D743,547 S * 11/2015 Chang D24/146
D759,237 S * 6/2016 Heath D24/133
D794,196 S * 8/2017 Russell D24/146

OTHER PUBLICATIONS

Stryker Corporation, "Stryker Cordless Driver 3", 2017, 1 page.
Stryker Corporation, "Stryker Cordless Driver III", 2017, 1 page.
Stryker Instruments, "System 7 Recon Power Tools", 2013, 4 pages.
Youtube, "Stryker Complete Cordless Driver 3 System with Biosteon ACL Kit", Jan. 18, 2016, 3 pages.

* cited by examiner

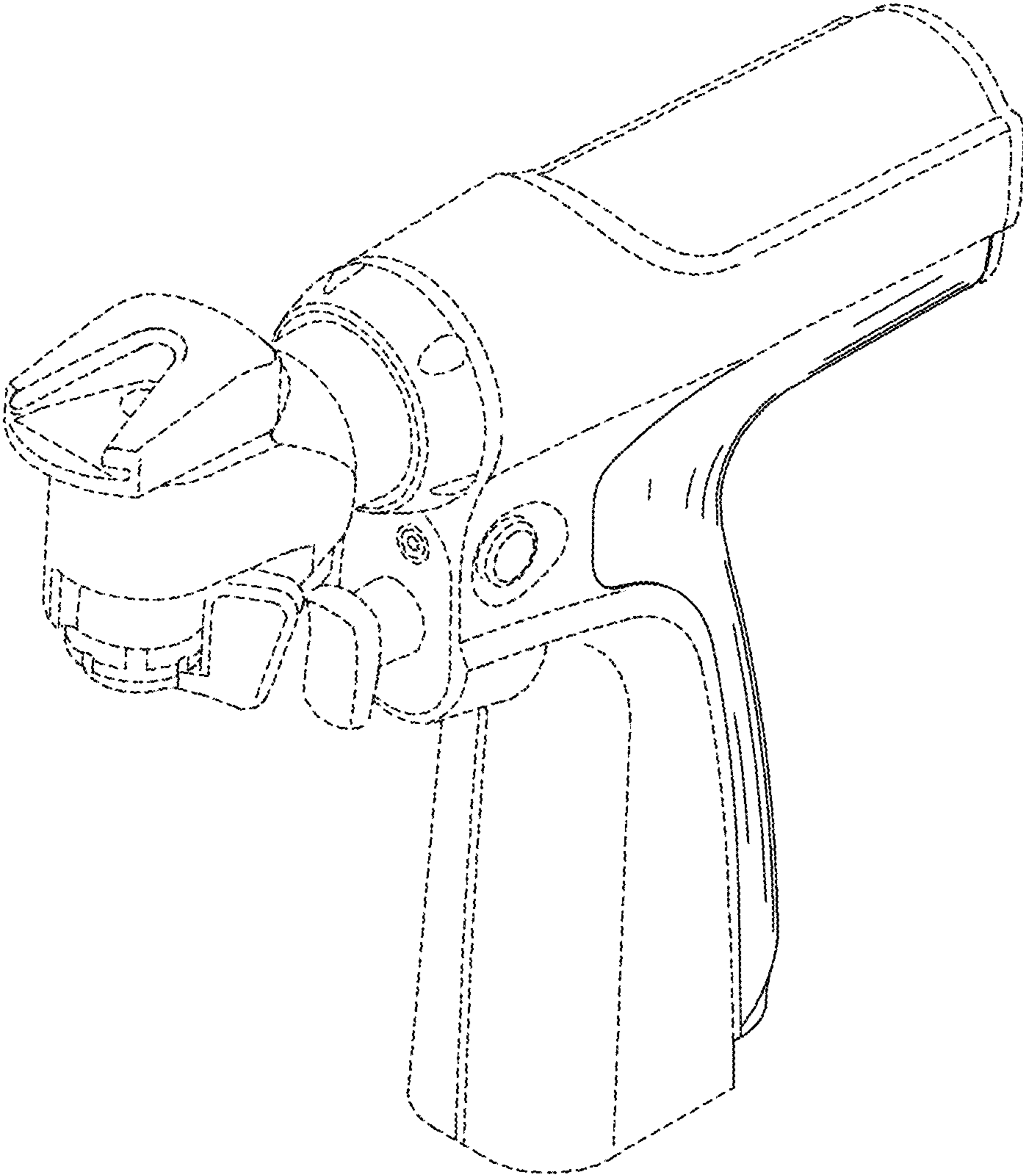


FIG. 1

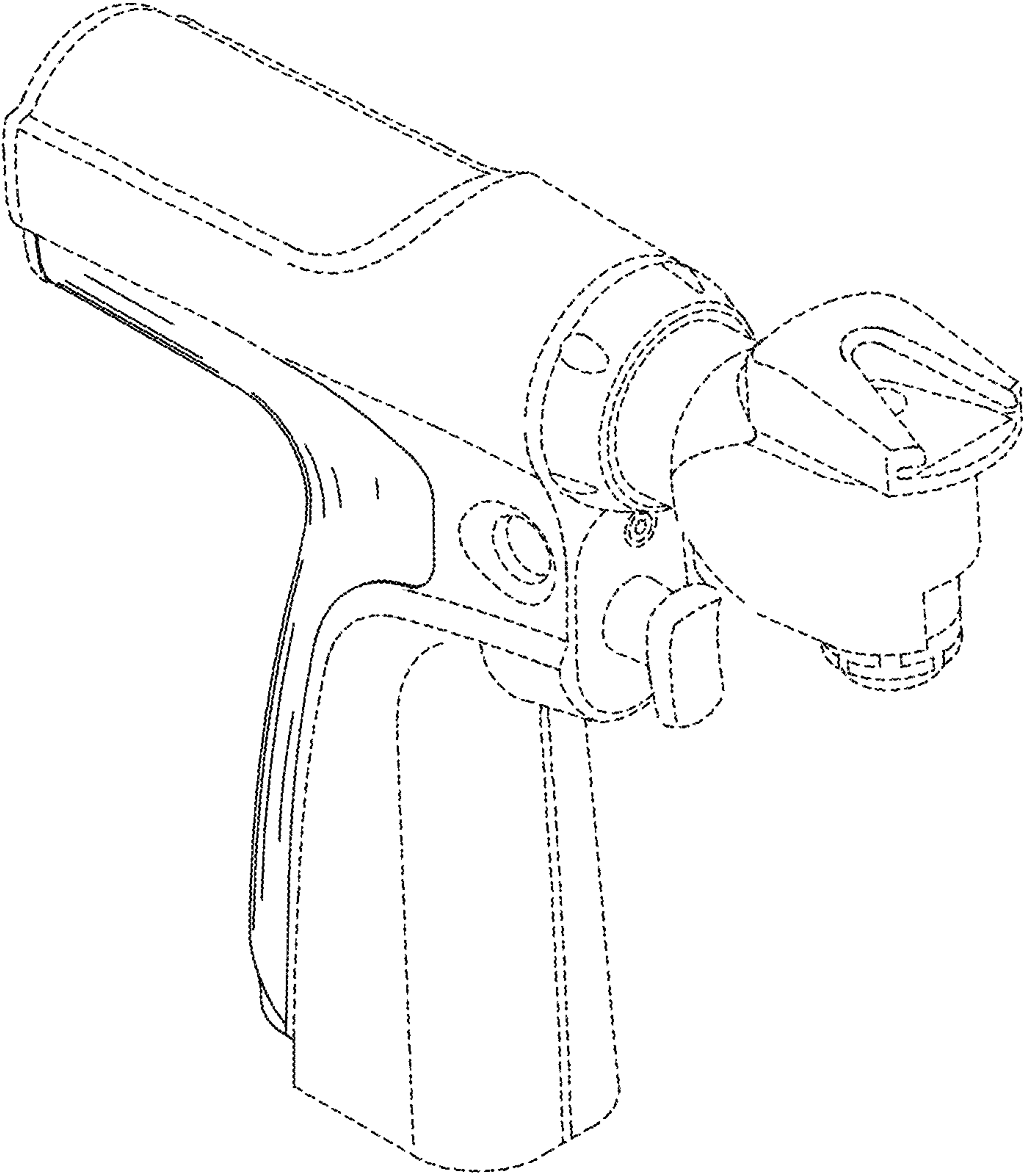


FIG. 2

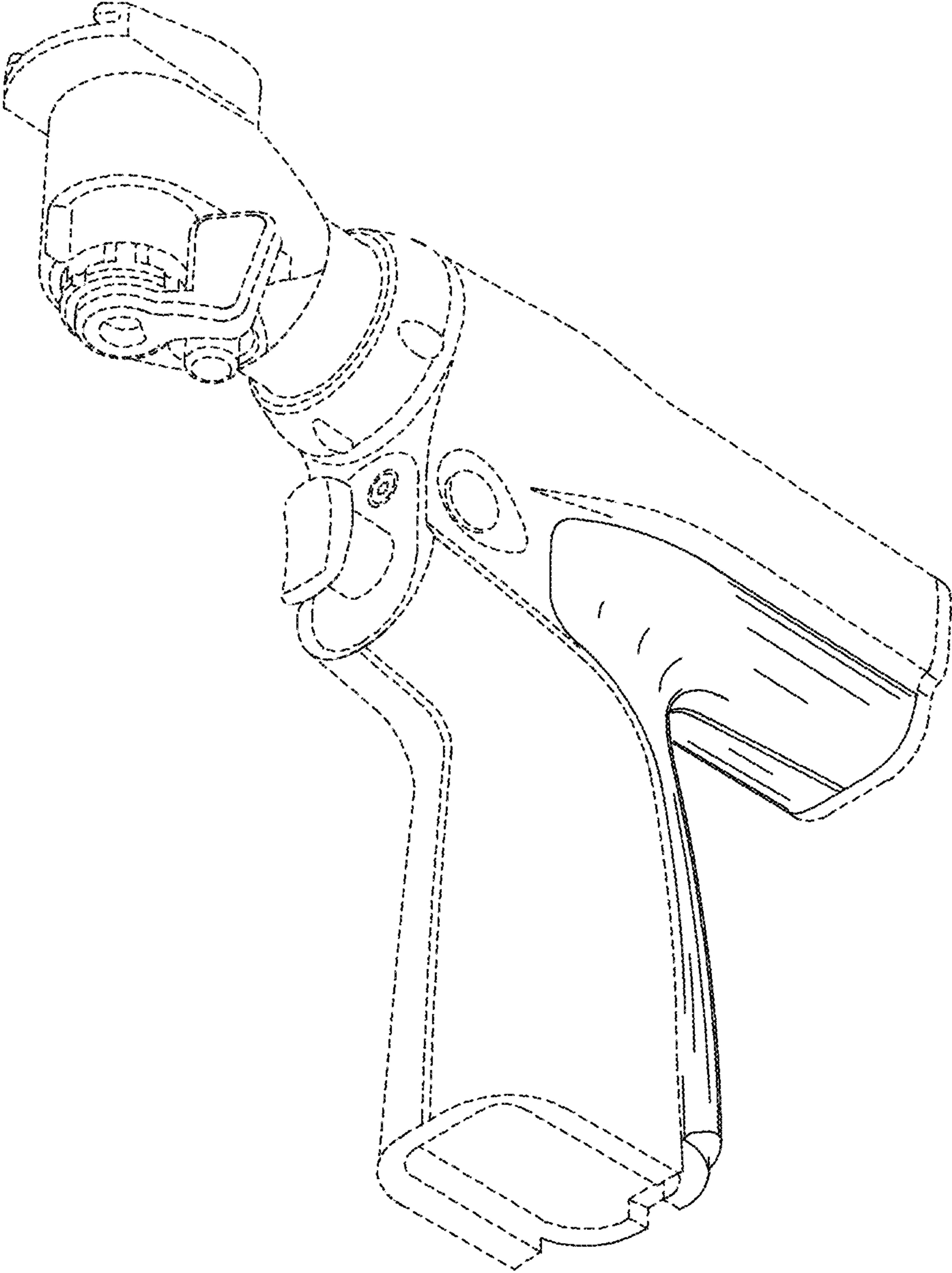


FIG. 3

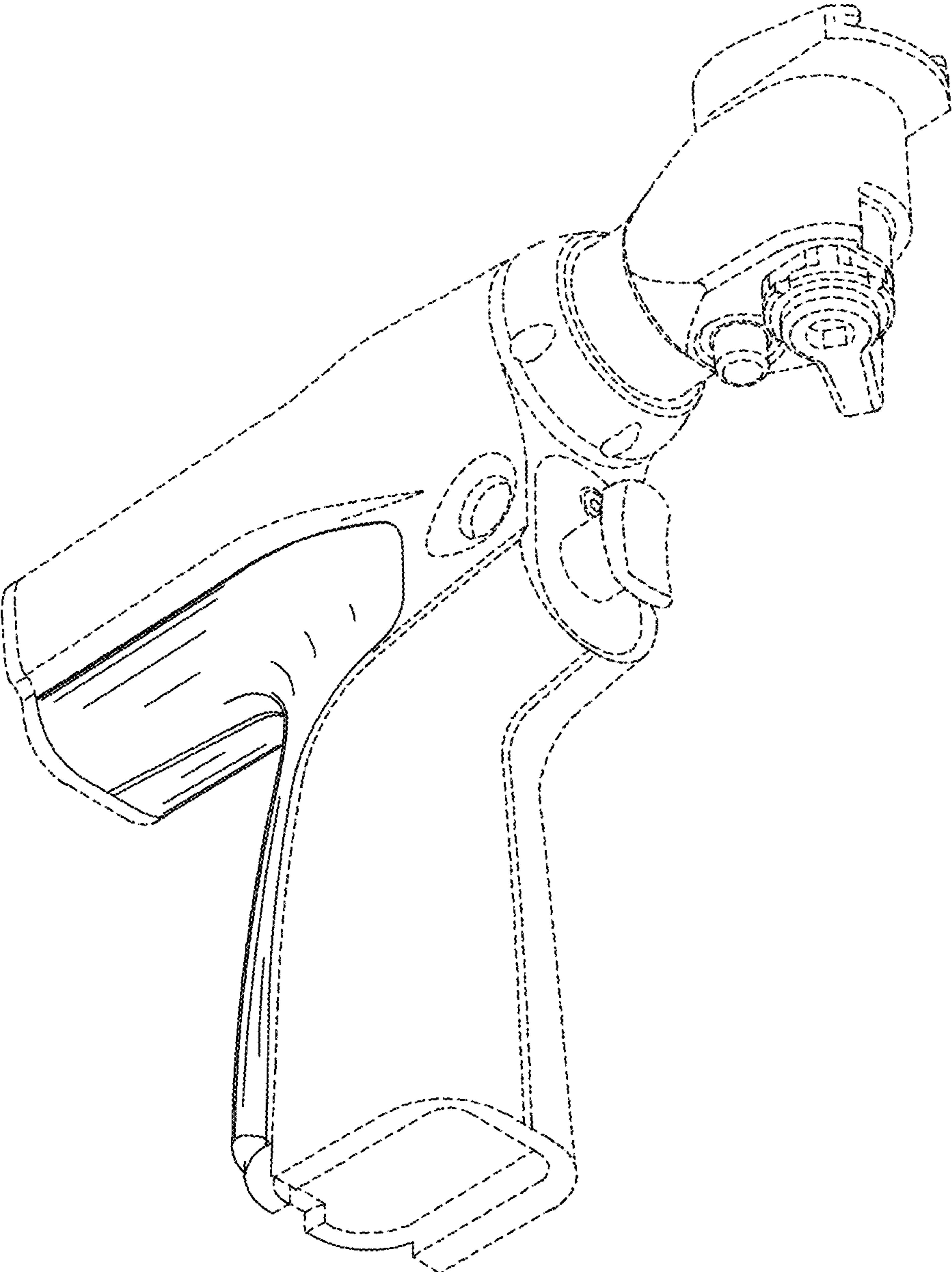


FIG. 4

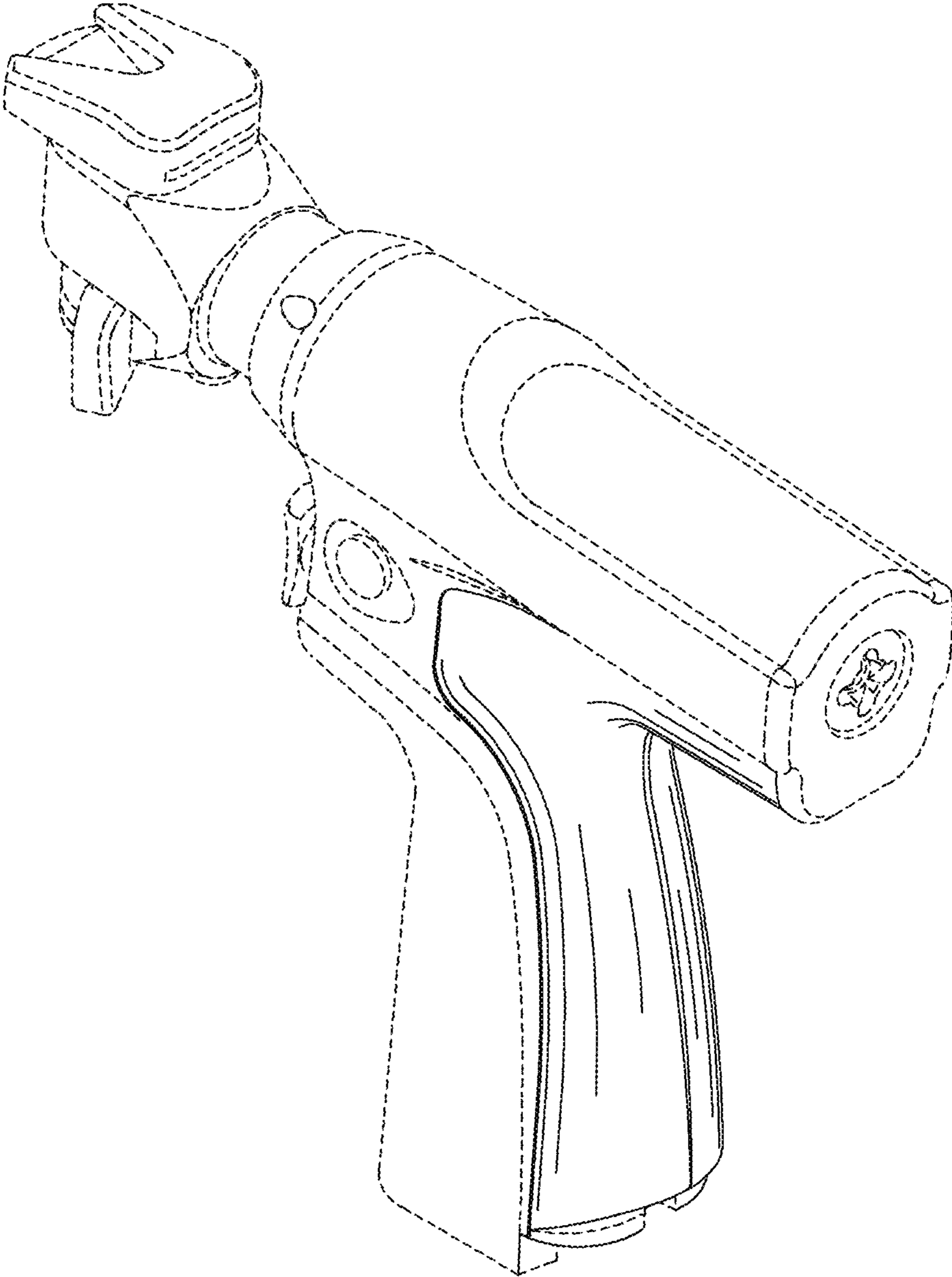


FIG. 5

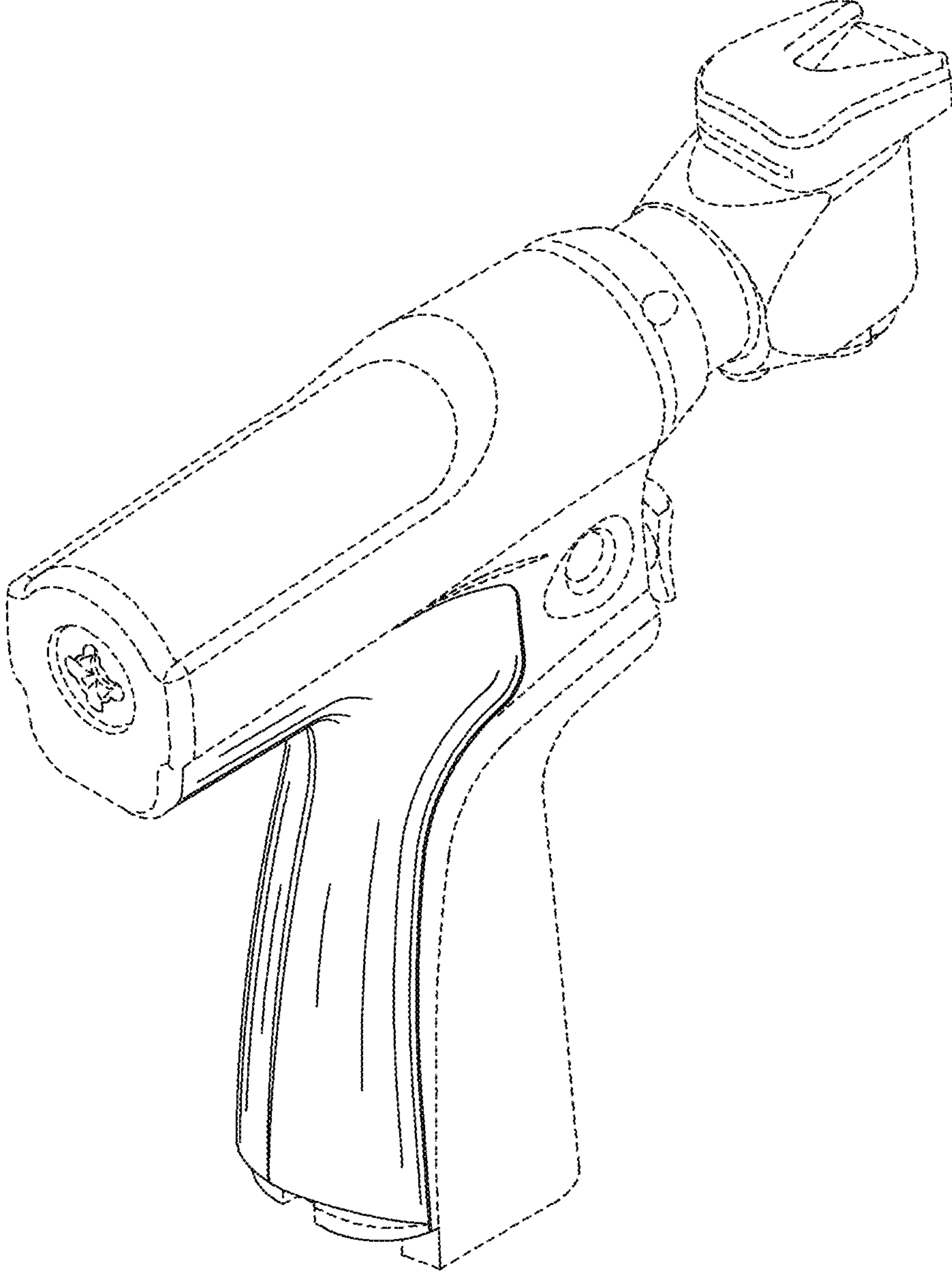


FIG. 6

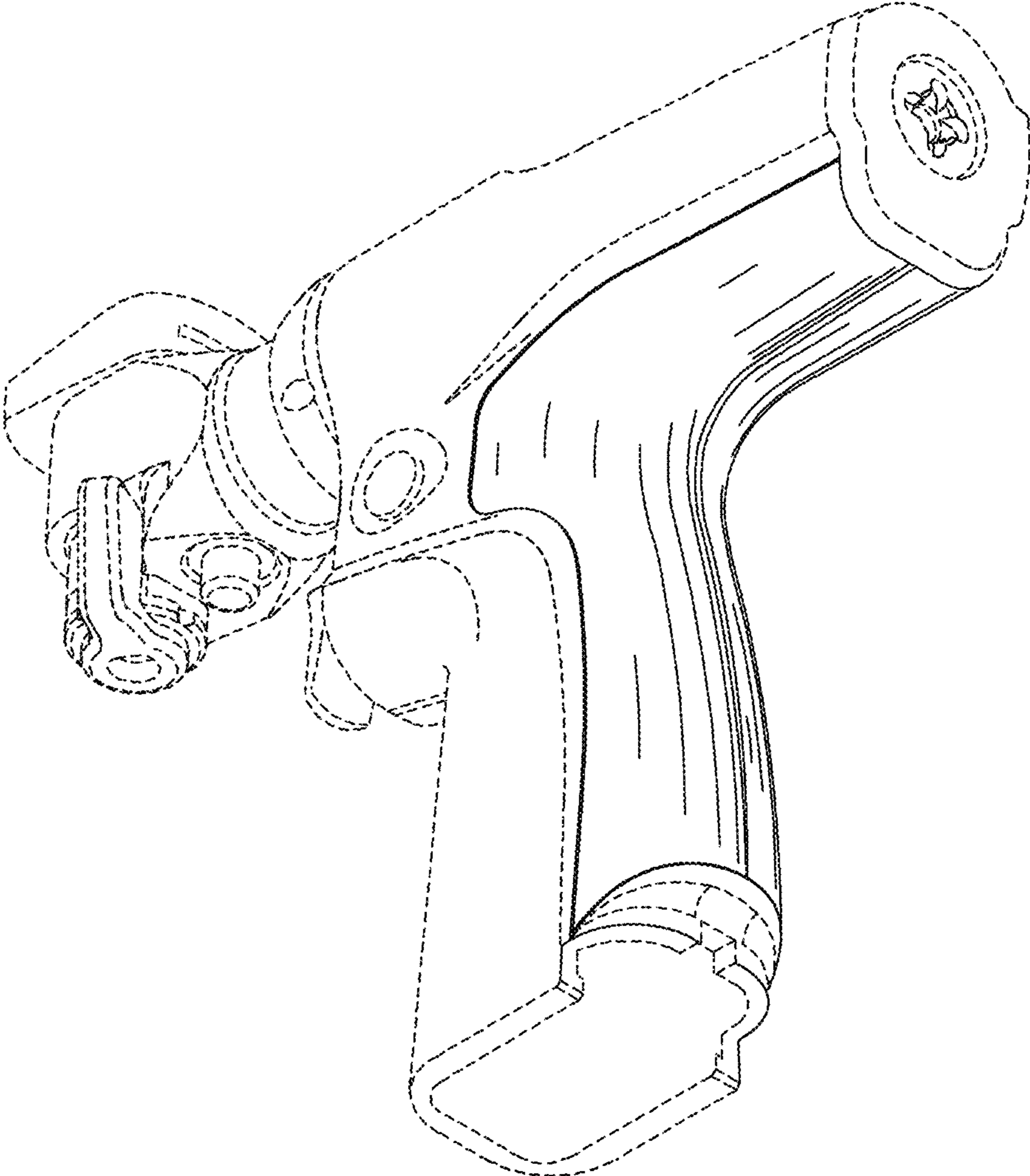


FIG. 7

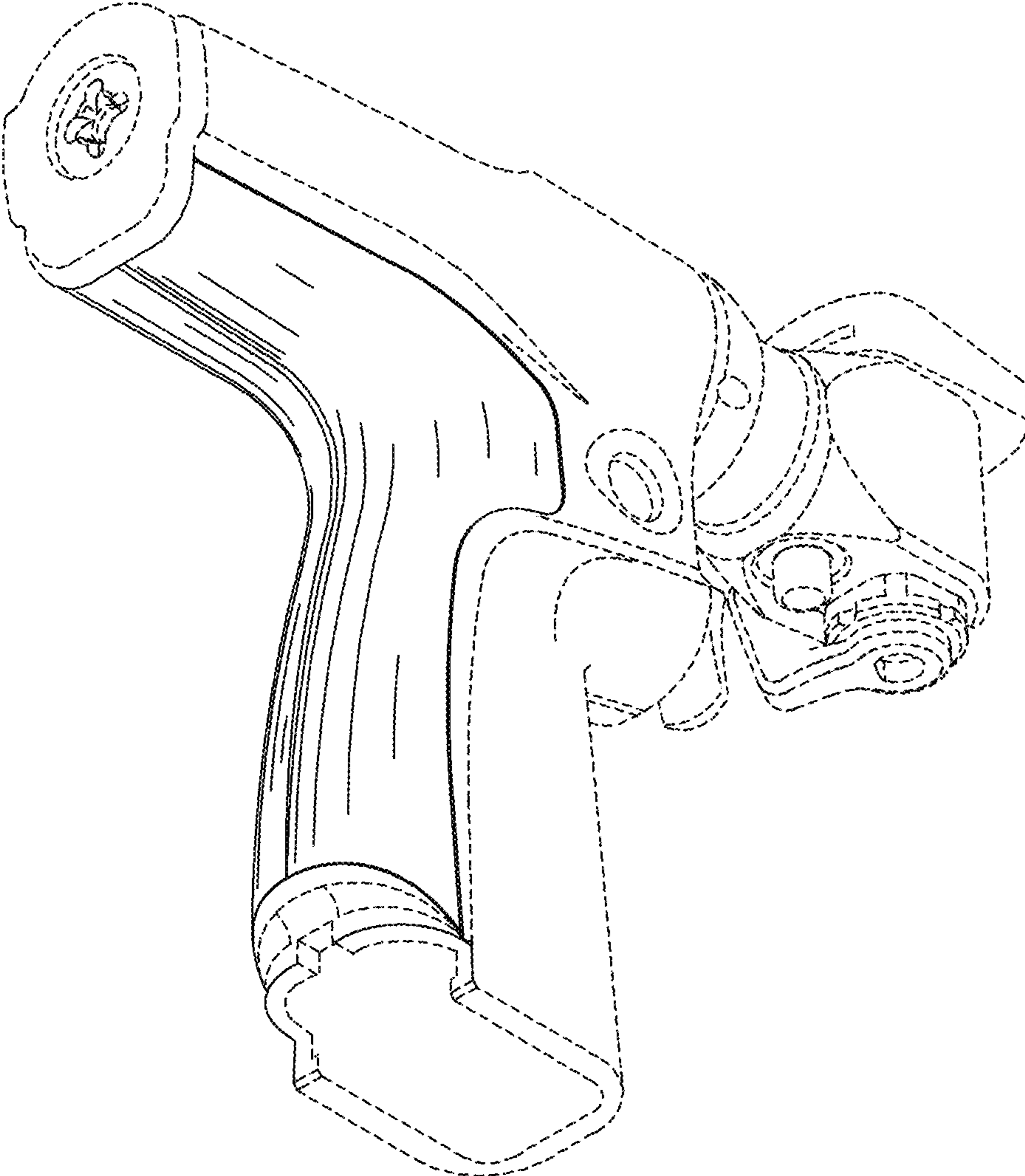


FIG. 8

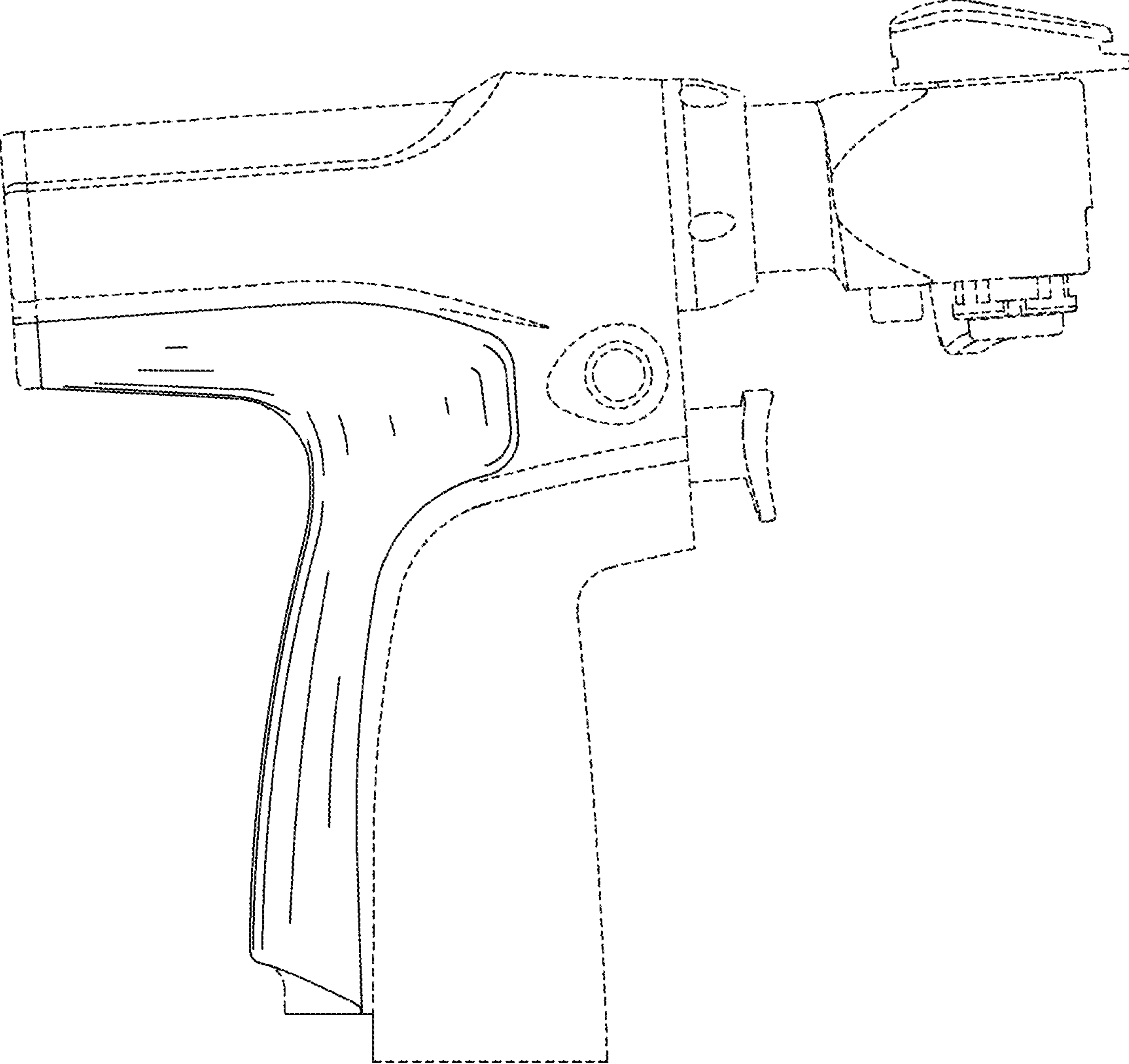


FIG. 9

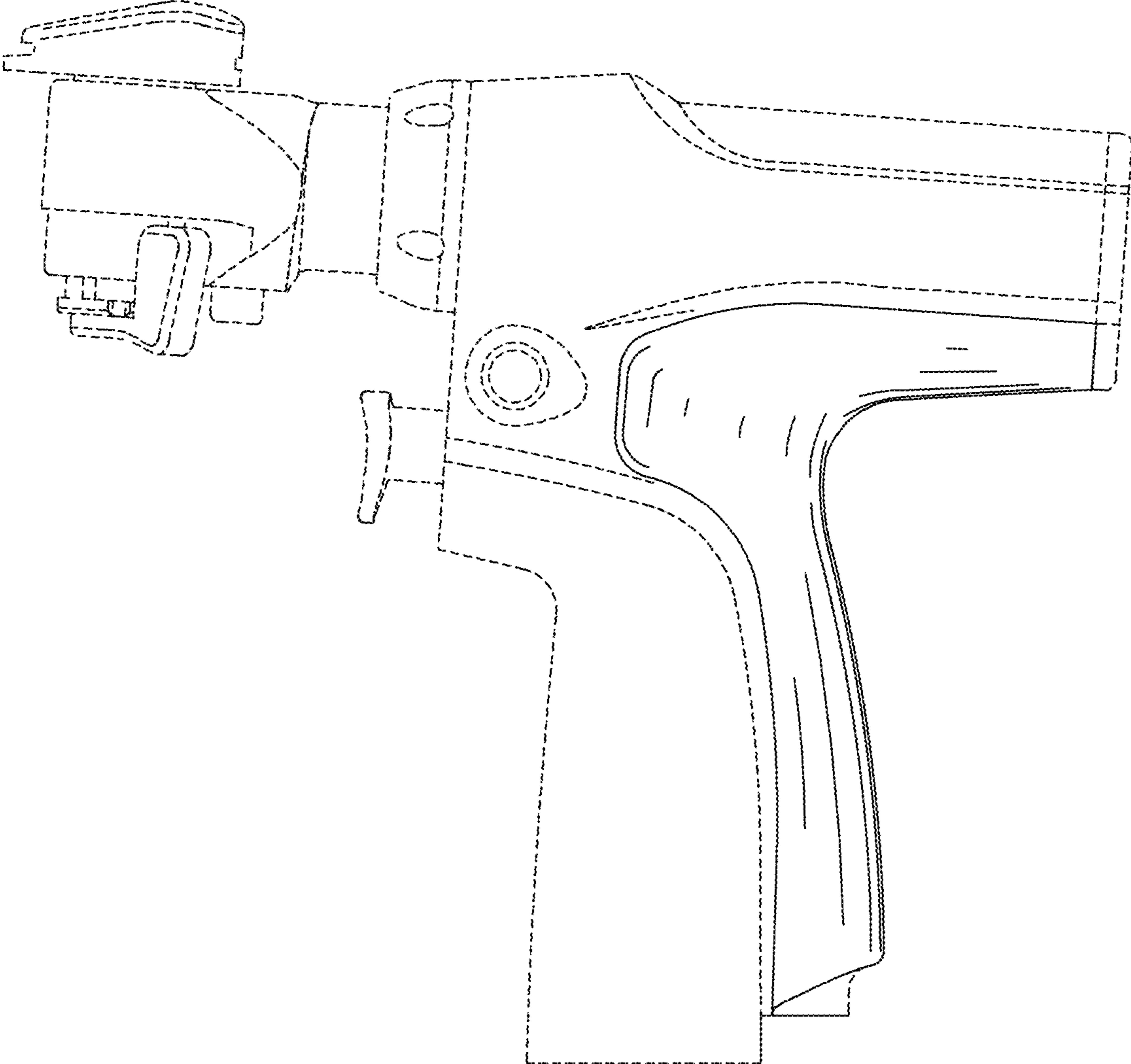


FIG. 10

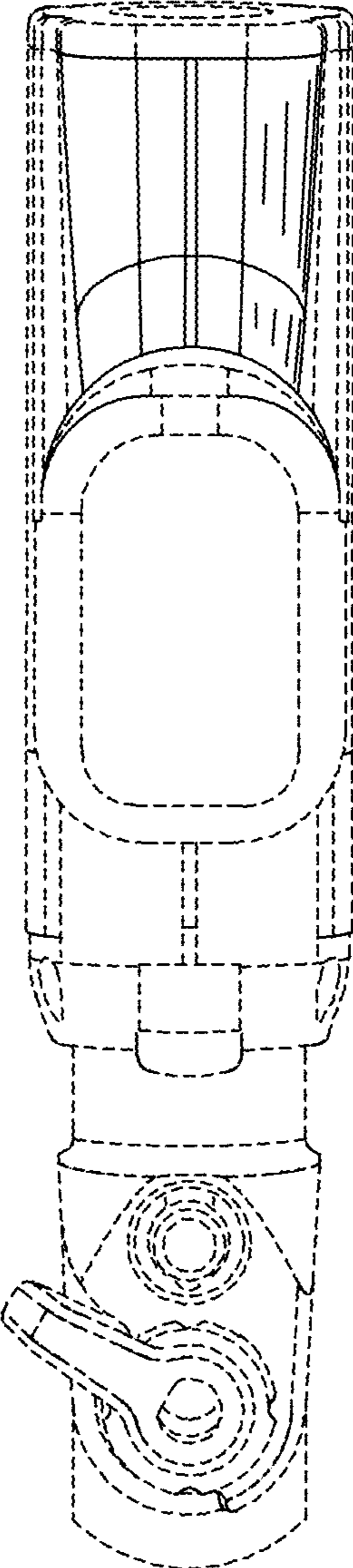


FIG. 11

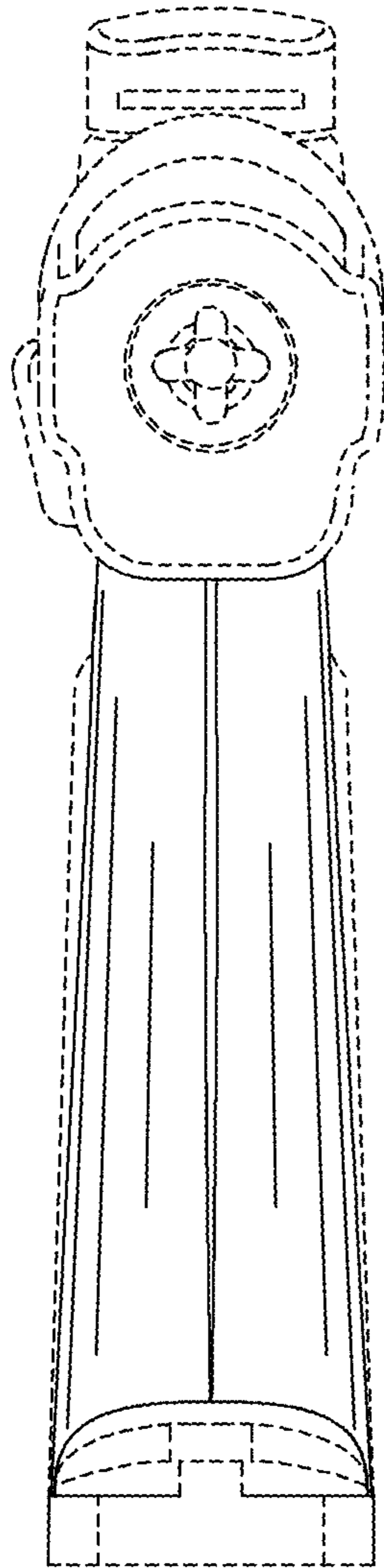


FIG. 12