



US00D831209S

(12) **United States Design Patent** (10) **Patent No.:** **US D831,209 S**
Huitema et al. (45) **Date of Patent:** **** Oct. 16, 2018**

- (54) **SURGICAL STAPLER CARTRIDGE**
- (71) Applicant: **ETHICON LLC**, Guaynabo, PR (US)
- (72) Inventors: **Thomas W. Huitema**, Cincinnati, OH (US); **Michael E. Setser**, Burlington, KY (US); **Bret W. Smith**, Kings Mills, OH (US)
- (73) Assignee: **Ethicon LLC**, Guaynabo, PR (US)
- (**) Term: **15 Years**
- (21) Appl. No.: **29/617,469**
- (22) Filed: **Sep. 14, 2017**
- (51) **LOC (11) Cl.** **24-02**
- (52) **U.S. Cl.**
 USPC **D24/145**
- (58) **Field of Classification Search**
 USPC D24/145
 CPC . A61B 17/105; A61B 17/068; A61B 17/0682;
 A61B 17/064; A61B 17/072; A61B
 17/07207; A61B 17/07228; A61B
 17/07235; A61B 17/07242; A61B
 17/07285; A61B 17/07292
 See application file for complete search history.

(56) **References Cited**

U.S. PATENT DOCUMENTS

D297,764 S	9/1988	Hunt et al.	
D298,967 S	12/1988	Hunt	
D337,640 S *	7/1993	Olson D24/145
7,641,091 B2 *	1/2010	Olson A61B 17/07207 227/175.1
8,127,976 B2 *	3/2012	Scirica A61B 17/07207 227/176.1
8,499,993 B2	8/2013	Shelton, IV et al.	
D693,925 S	11/2013	Hunt et al.	
8,727,197 B2	5/2014	Hess et al.	
8,733,613 B2 *	5/2014	Huitema A61B 17/07207 227/175.1
8,899,465 B2	12/2014	Shelton, IV et al.	

9,131,940 B2 *	9/2015	Huitema A61B 17/07207
9,877,721 B2 *	1/2018	Schellin A61B 17/105
9,943,310 B2 *	4/2018	Harris A61B 17/07207
2015/0297222 A1 *	10/2015	Huitema A61B 17/068 227/176.1
2016/0106427 A1 *	4/2016	Shelton, IV A61B 17/07207 227/180.1
2017/0055996 A1 *	3/2017	Baxter, III A61B 17/105
2017/0055997 A1 *	3/2017	Swayze A61B 17/072
2017/0056002 A1 *	3/2017	Nalagatla A61B 17/105
2017/0095253 A1 *	4/2017	Aranyi A61B 17/105
2017/0367695 A1 *	12/2017	Shelton, IV A61B 17/072
2017/0367697 A1 *	12/2017	Shelton, IV A61B 17/068

* cited by examiner

Primary Examiner — Wan Laymon

(74) Attorney, Agent, or Firm — Frost Brown Todd LLC

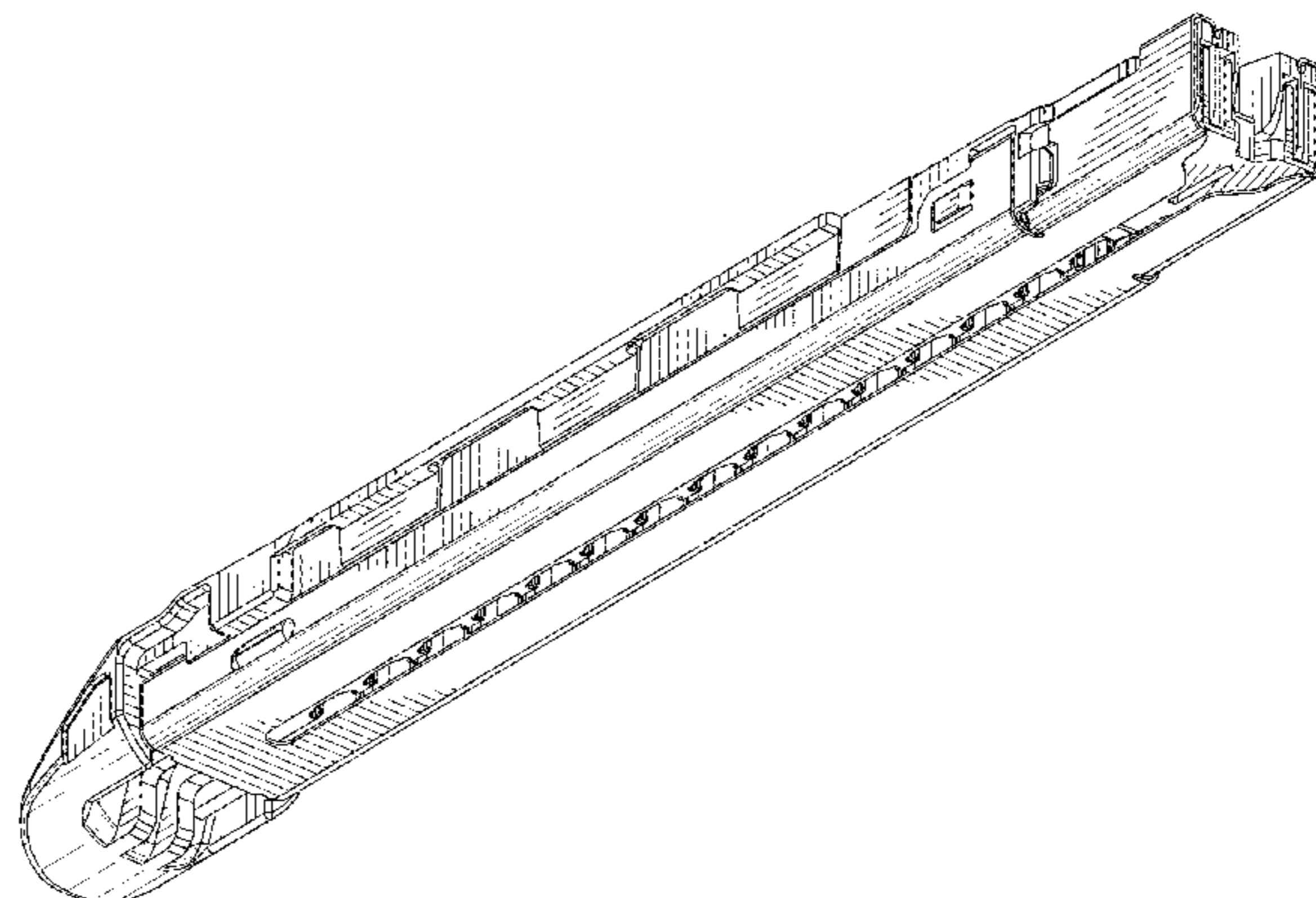
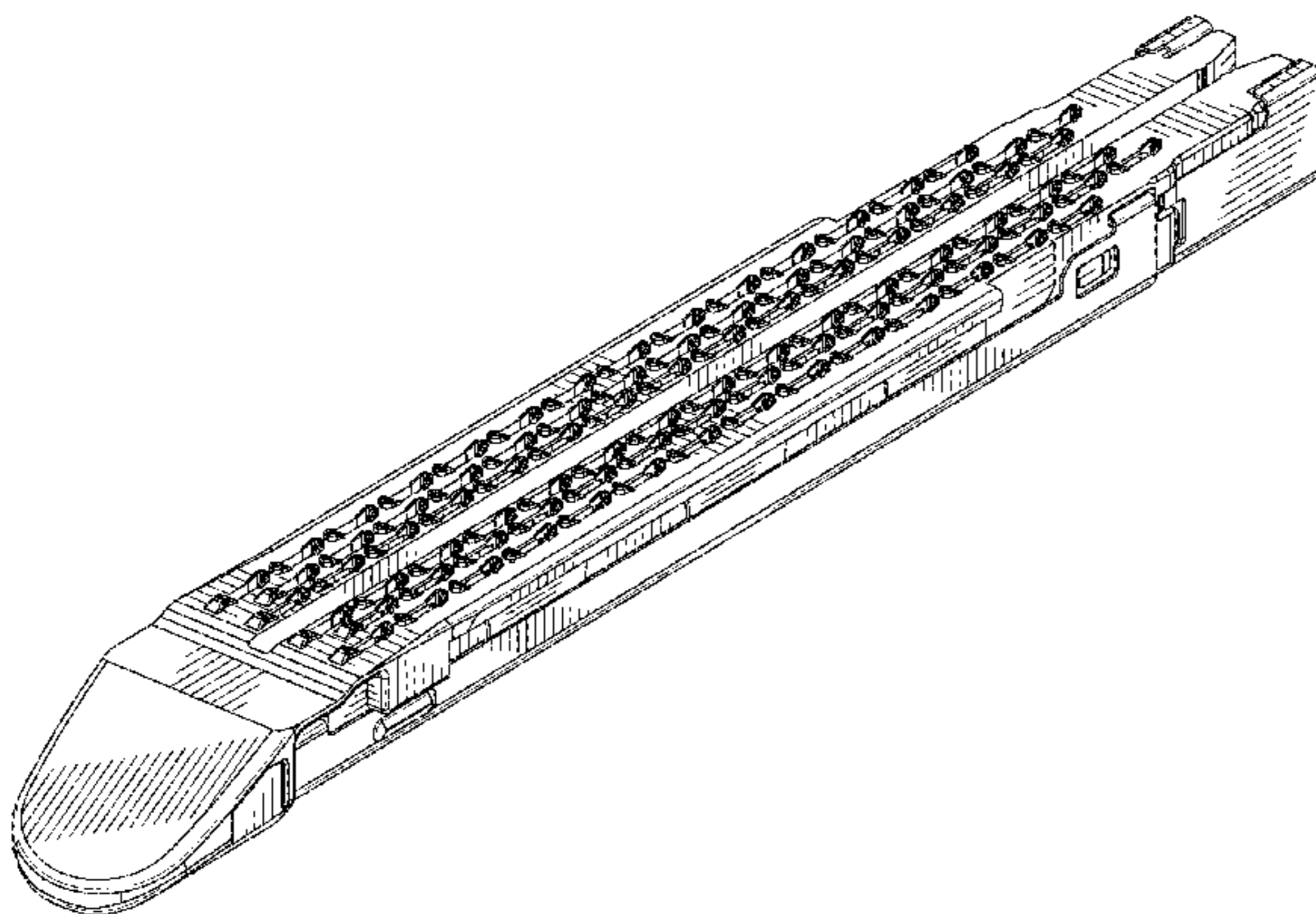
(57) **CLAIM**

The ornamental design for a surgical stapler cartridge, as shown and described.

DESCRIPTION

FIG. 1 is a top perspective view of a surgical stapler cartridge, showing our new design;
 FIG. 2 is a bottom perspective view of the surgical stapler cartridge of FIG. 1;
 FIG. 3 is a right elevational view of the surgical stapler cartridge of FIG. 1;
 FIG. 4 is a left elevational view of the surgical stapler cartridge of FIG. 1;
 FIG. 5 is a front elevational view of the surgical stapler cartridge of FIG. 1;
 FIG. 6 is a rear elevational view of the surgical stapler cartridge of FIG. 1;
 FIG. 7 is a top plan view of the surgical stapler cartridge of FIG. 1; and,
 FIG. 8 is a bottom plan view of the surgical stapler cartridge of FIG. 1.

1 Claim, 8 Drawing Sheets



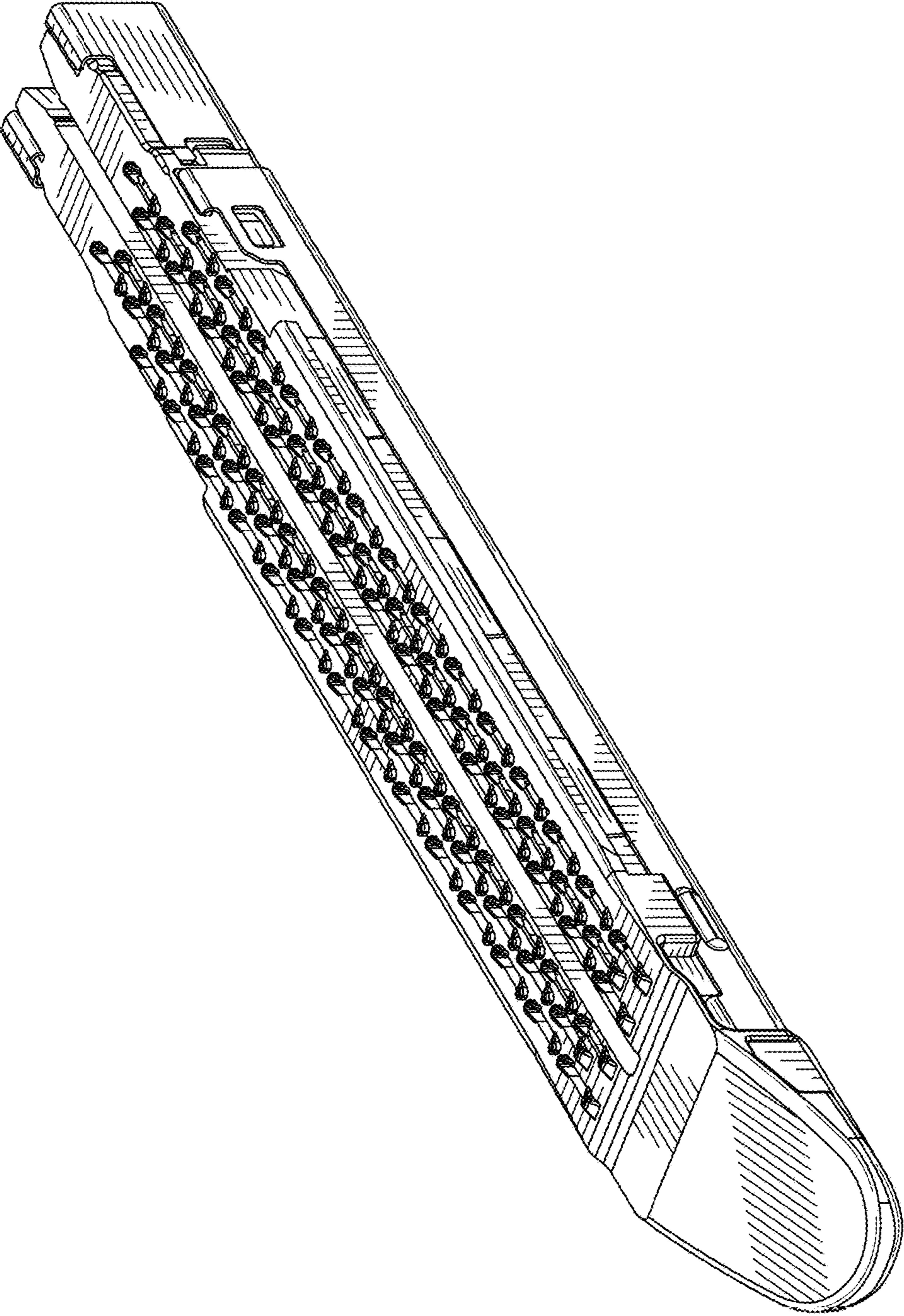


Fig. 1

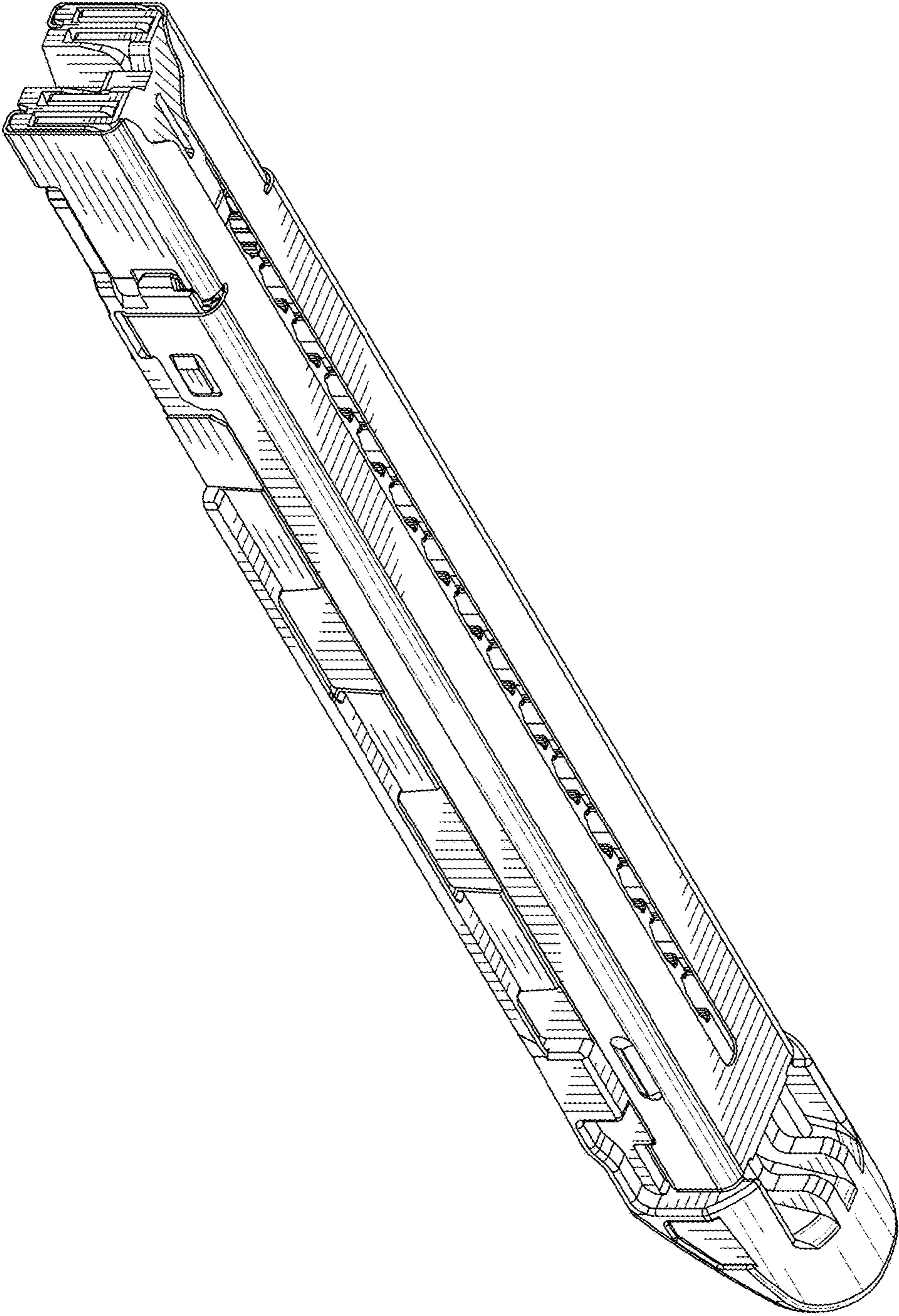


Fig.2

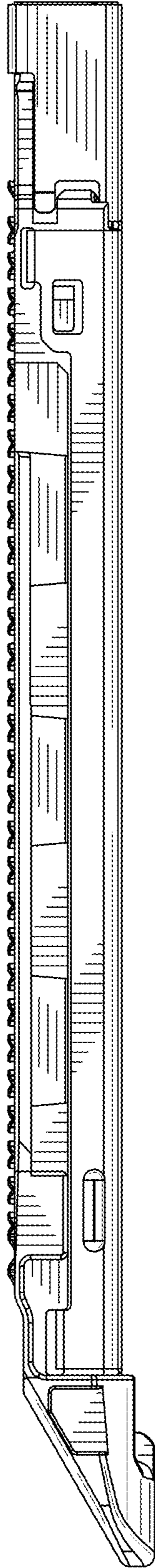


Fig. 3

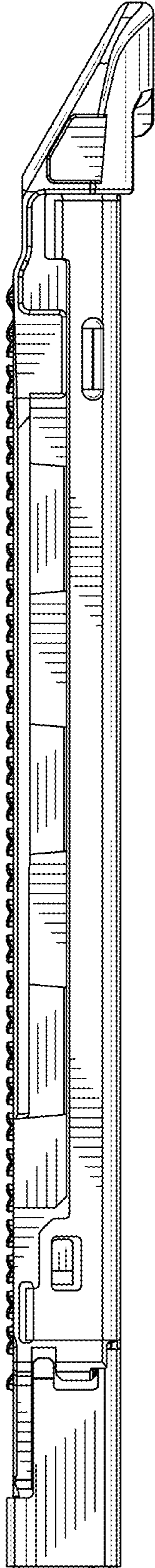


Fig. 4

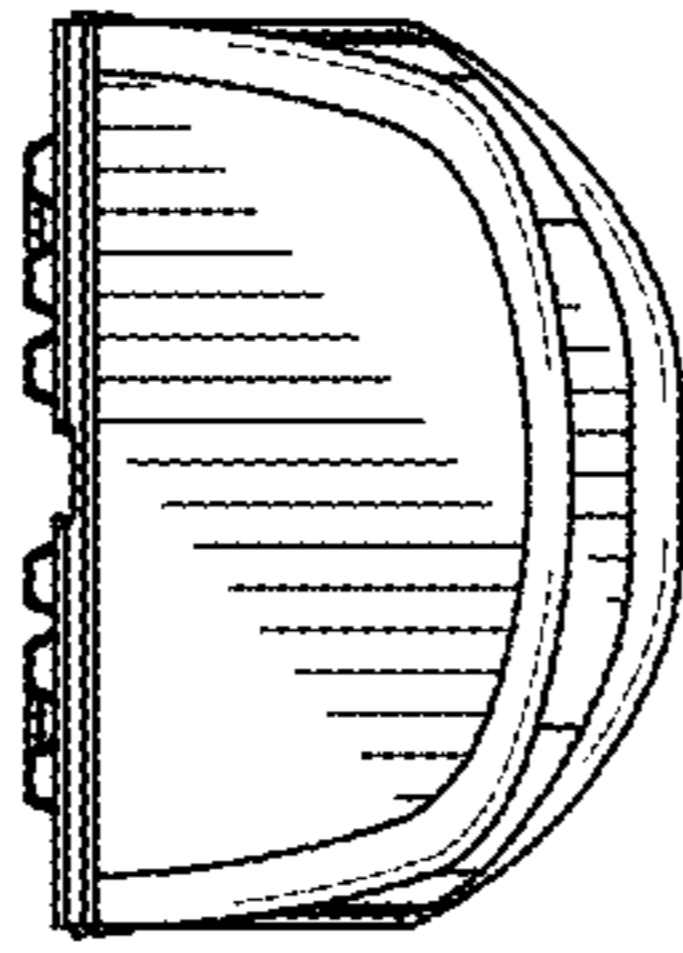


Fig. 5

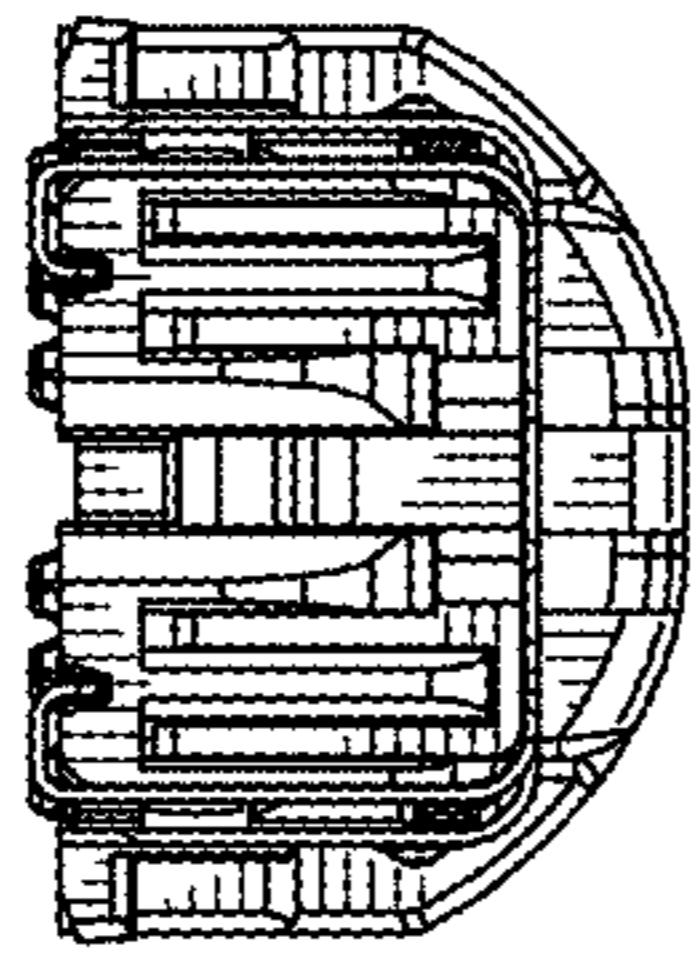


Fig. 6

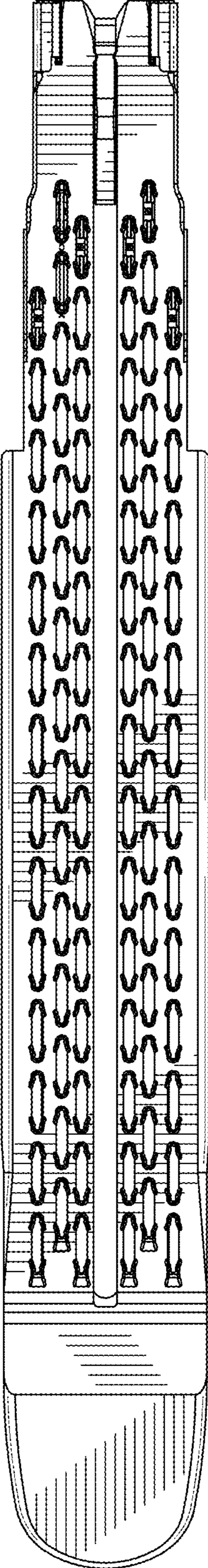


Fig. 7

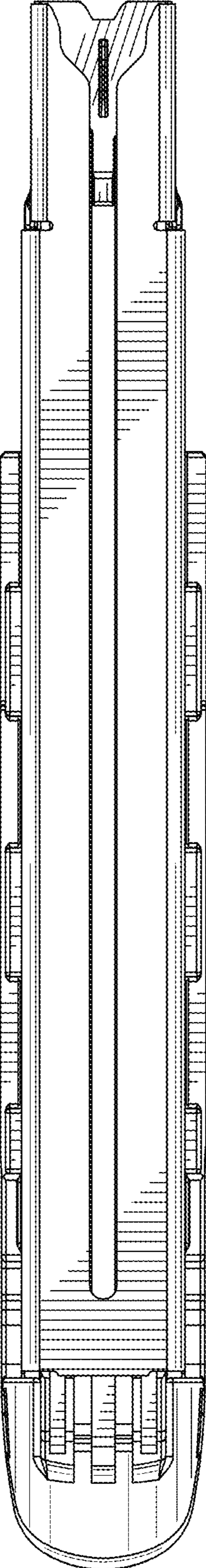


Fig. 8