



US00D831206S

(12) **United States Design Patent** (10) **Patent No.:** **US D831,206 S**
Tanaka et al. (45) **Date of Patent:** **** Oct. 16, 2018**

(54) **CONTROLLER FOR ENDOSCOPE**
(71) Applicant: **FUJIFILM Corporation**, Tokyo (JP)
(72) Inventors: **Kunihiko Tanaka**, Kanagawa (JP);
Koji Yoshida, Kanagawa (JP)
(73) Assignee: **FUJIFILM Corporation**, Tokyo (JP)
(**) Term: **15 Years**

| | | | | |
|--------------|---------|--------|-------|---------|
| D600,345 S * | 9/2009 | Tanaka | | D24/138 |
| D624,650 S * | 9/2010 | Tanaka | | D24/138 |
| D643,922 S * | 8/2011 | Tanaka | | D24/138 |
| D660,427 S * | 5/2012 | Tanaka | | D24/138 |
| D670,384 S * | 11/2012 | Tanaka | | D24/138 |
| D671,212 S * | 11/2012 | Tanaka | | D24/138 |
| D789,533 S * | 6/2017 | Tanaka | | D24/138 |
| D796,038 S * | 8/2017 | Ohno | | D24/138 |
| D802,132 S * | 11/2017 | Ohno | | D24/138 |
| D818,146 S * | 5/2018 | Tanaka | | D24/216 |

* cited by examiner

(21) Appl. No.: **29/540,337**
(22) Filed: **Sep. 23, 2015**

Primary Examiner — Janice Hallmark
Assistant Examiner — Eliza Z Bennett-Hattan
(74) *Attorney, Agent, or Firm* — Young & Thompson

(30) **Foreign Application Priority Data**

| | | | |
|---------------|------|-------|-------------|
| Mar. 24, 2015 | (JP) | | 2015-006336 |
| Mar. 24, 2015 | (JP) | | 2015-006337 |
| Mar. 24, 2015 | (JP) | | 2015-006338 |
| Mar. 24, 2015 | (JP) | | 2015-006339 |
| Mar. 24, 2015 | (JP) | | 2015-006340 |

(57) **CLAIM**

The ornamental design for a controller for endoscope, as shown and described.

(51) **LOC (11) Cl.** **24-02**
(52) **U.S. Cl.**
USPC **D24/138**

DESCRIPTION

(58) **Field of Classification Search**
USPC D24/108, 160, 111, 138; D20/27;
D14/371, 188
CPC A61B 1/00; A61B 1/00137; A61B 1/005;
A61B 1/0014; A61B 1/0676; A61B
1/0669; A61B 1/00121; A61B 1/00133;
A61B 1/00071; A61B 1/00064; A61B
1/00068; A61B 1/00112; A61B 1/0125;
A61B 17/3478
See application file for complete search history.

FIG. 1 is a top, front and right side perspective view of a controller for endoscope showing my new design;
FIG. 2 is a front elevational view thereof;
FIG. 3 is a rear elevational view thereof;
FIG. 4 is a top plan view thereof;
FIG. 5 is a bottom plan view thereof;
FIG. 6 is a left side elevational view thereof;
FIG. 7 is a right side elevational view thereof; and,
FIG. 8 is a top, front and right side perspective view thereof in a manner of use.

The broken line portions of the controller for endoscope throughout the drawings are shown to illustrate environment only and form no part of the claimed design.

(56) **References Cited**
U.S. PATENT DOCUMENTS

| | | | | |
|--------------|--------|--------|-------|---------|
| D598,098 S * | 8/2009 | Tanaka | | D24/107 |
| D598,100 S * | 8/2009 | Tanaka | | D24/107 |

1 Claim, 6 Drawing Sheets

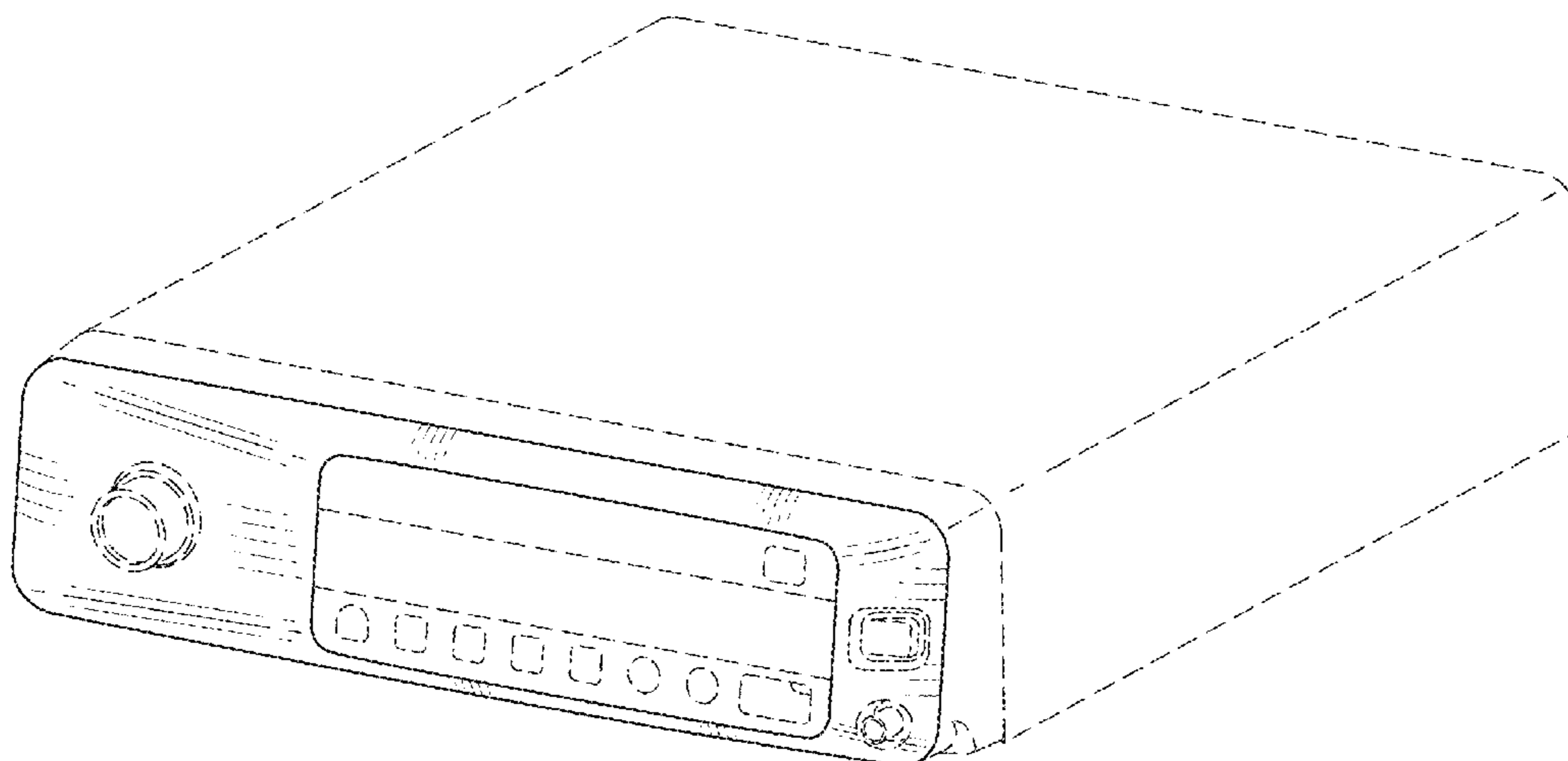


FIG. 1

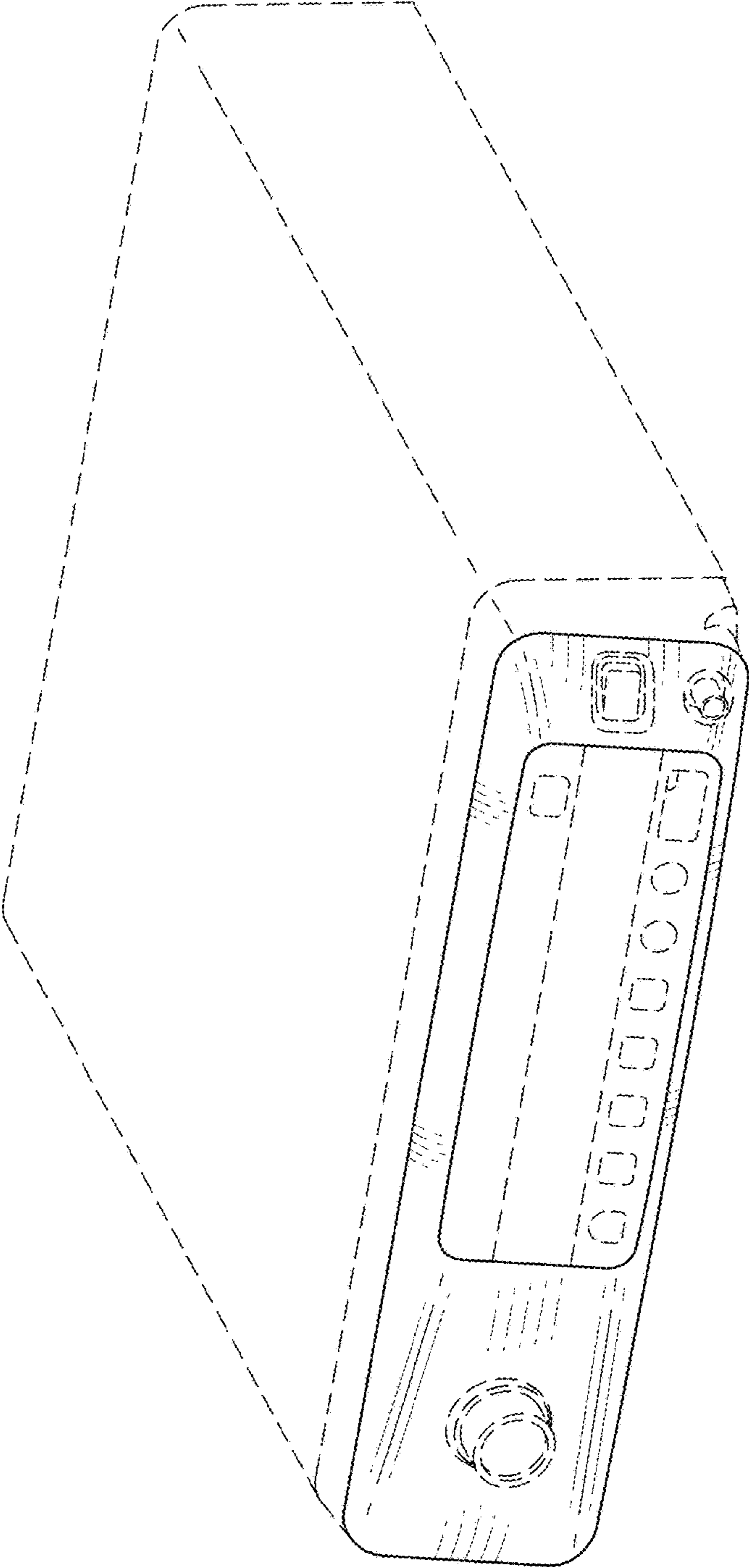


FIG. 2

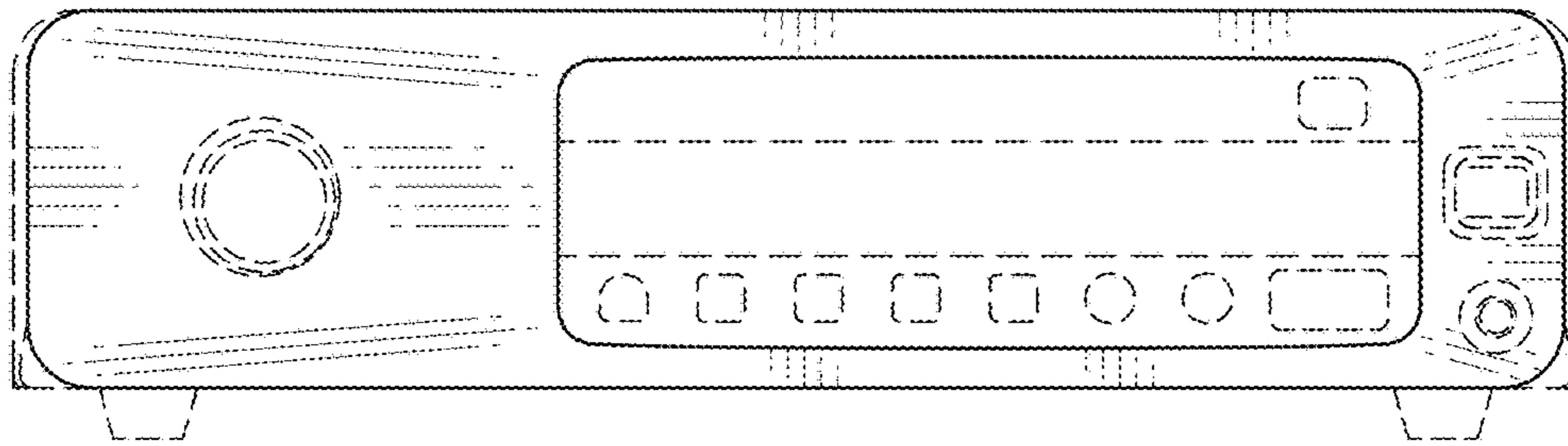


FIG. 3



FIG. 4



FIG. 5

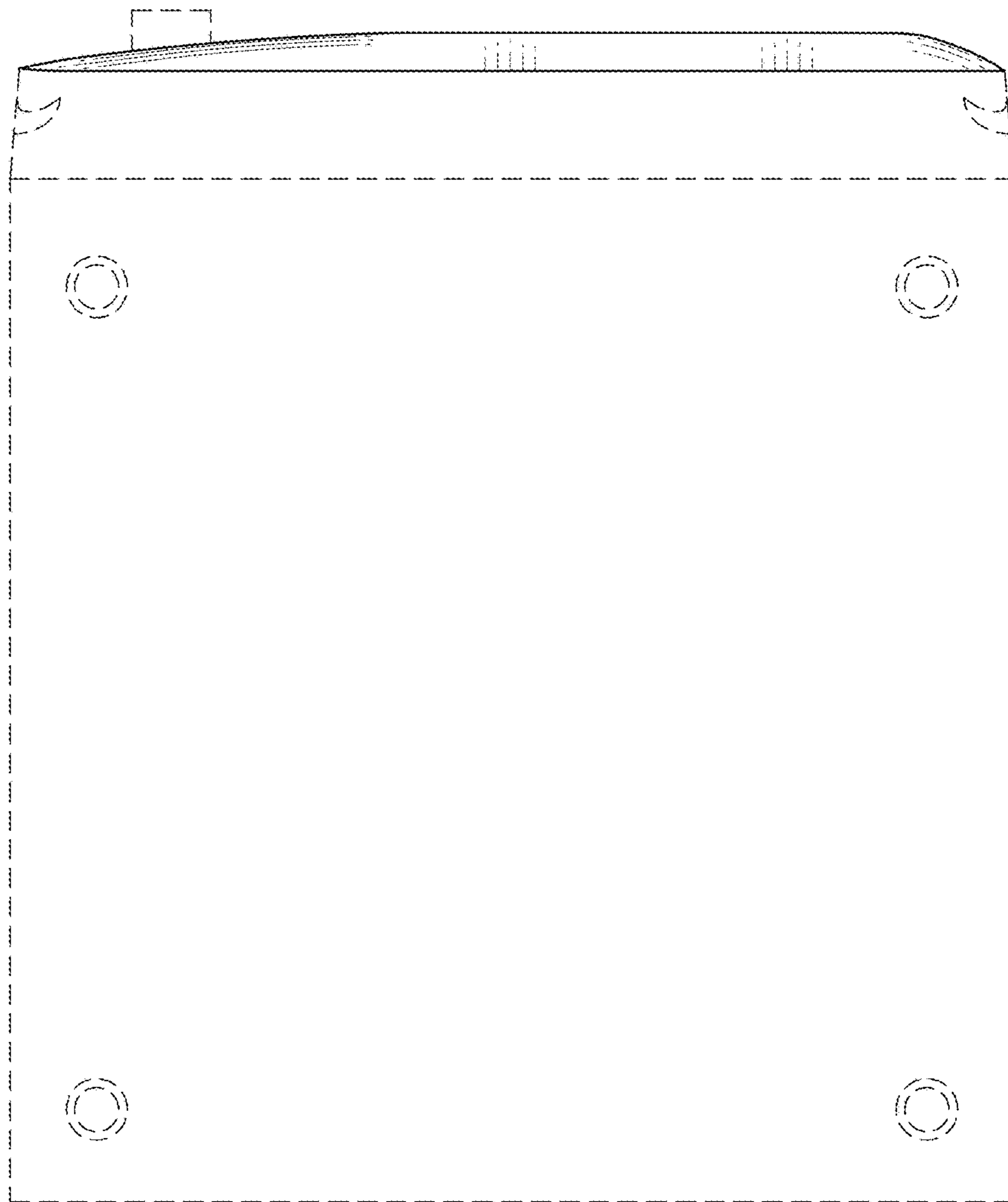


FIG. 6

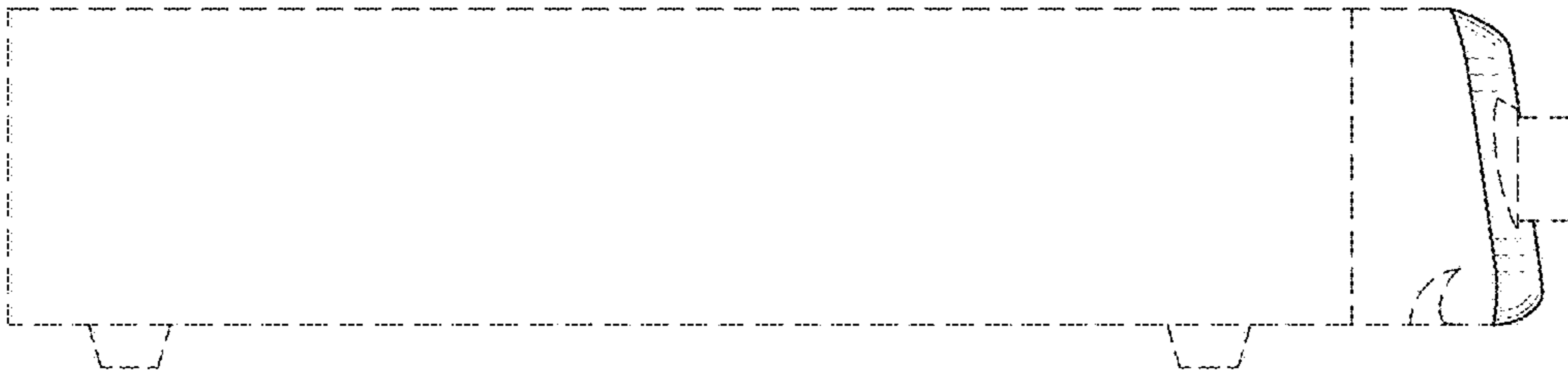


FIG. 7

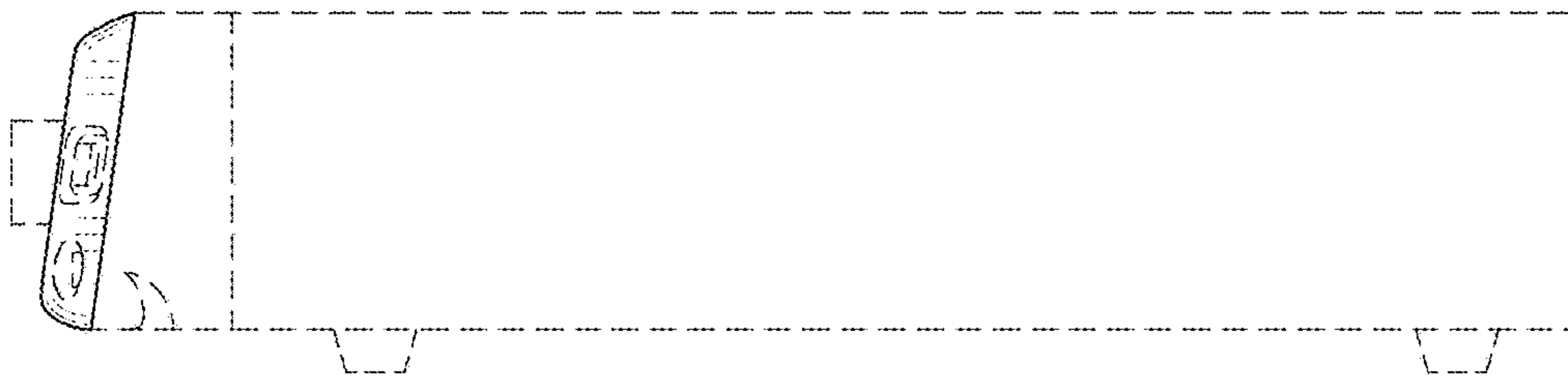


FIG. 8

