



US00D831202S

(12) **United States Design Patent** (10) **Patent No.:** **US D831,202 S**
Ratner (45) **Date of Patent:** **** Oct. 16, 2018**

- (54) **GAS CONNECTOR** 5,285,776 A 2/1994 Bertram
- 5,579,762 A 12/1996 Lee
- (71) Applicant: **MERCURY ENTERPRISES, INC.,** 5,713,348 A 2/1998 Pell
Clearwater, FL (US) 5,787,879 A 8/1998 Gibson
- 6,363,932 B1 * 4/2002 Forchione A61M 15/0086
128/200.14
- (72) Inventor: **Jeffrey B. Ratner,** Pinellas Park, FL 6,484,724 B1 11/2002 Sloan
(US) D473,647 S * 4/2003 Francavilla D24/129
- D474,839 S * 5/2003 Francavilla D24/129
- (73) Assignee: **Mercury Enterprises, Inc.,** Clearwater, 6,705,321 B2 3/2004 Cook
FL (US) 6,776,157 B2 8/2004 Williams et al.
- D625,003 S * 10/2010 Stephens D24/129
- (**) Term: **15 Years** D678,521 S * 3/2013 Mort D24/110.6
- 8,444,602 B2 * 5/2013 Valaie A61M 39/0613
604/164.01
- (21) Appl. No.: **29/605,948** 8,499,763 B2 8/2013 Ledwith
- D719,650 S * 12/2014 Arinobe D24/130
- (22) Filed: **May 31, 2017** D732,664 S * 6/2015 Woehr D24/130

(Continued)

Related U.S. Application Data

- (63) Continuation-in-part of application No. 12/888,447,
filed on Sep. 23, 2010, now abandoned.
- (51) **LOC (11) Cl.** **24-02**
- (52) **U.S. Cl.**
USPC **D24/129**
- (58) **Field of Classification Search**
USPC D24/127-131, 112-114, 133, 186;
606/181, 185; 604/264, 523-528, 272,
604/187, 158, 164.01-164.11, 181, 184,
604/227; 600/101, 139, 143;
128/203.12, 200.24, 207.14, 207.15
CPC A61M 25/00; A61M 39/00; A61M 27/00;
A61M 25/0043; A61M 25/0067; A61M
25/0097; A61F 2/958
See application file for complete search history.

References Cited

U.S. PATENT DOCUMENTS

- 4,164,034 A 3/1979 Gupta
- 4,337,164 A 6/1982 Clements
- 4,557,261 A 12/1985 Rugheimer
- 5,251,617 A 10/1993 Linder

Primary Examiner — David Muller

(74) *Attorney, Agent, or Firm* — Larson & Larson, P.A.;
Frank Liebenow; Justin P. Miller

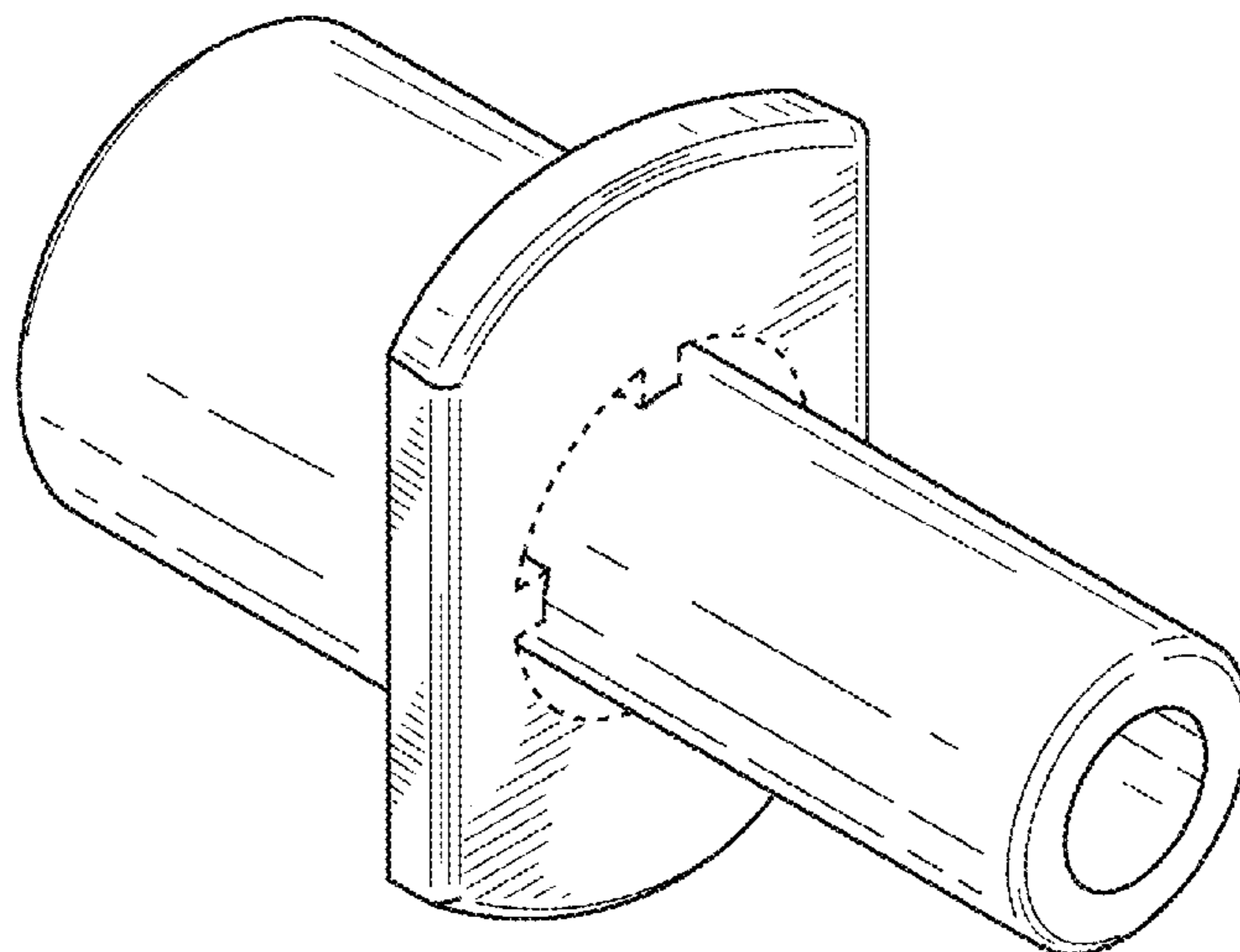
(57) **CLAIM**

The ornamental design for a gas connector, as shown and described.

DESCRIPTION

FIG. 1 is a front perspective view of a gas connector showing my new design;
 FIG. 2 is a rear perspective view thereof;
 FIG. 3 is a left side elevation view thereof;
 FIG. 4 is a right side elevation view thereof;
 FIG. 5 is a top plan view thereof;
 FIG. 6 is a bottom plan view thereof;
 FIG. 7 is a front elevation view thereof;
 FIG. 8 is a rear elevation view thereof; and,
 FIG. 9 is a cross section taken along lines 9-9 of FIG. 3.
 The recesses of FIG. 1 and FIG. 7 shown in dashed lines form no part of the claimed design.

1 Claim, 4 Drawing Sheets



(56)

References Cited

U.S. PATENT DOCUMENTS

D737,436	S	*	8/2015	Lev	D24/129
D757,260	S	*	5/2016	Lombardi, III	D24/129
D779,662	S	*	2/2017	Smith	D24/129
D793,551	S	*	8/2017	Nelson	D24/129
D812,222	S	*	3/2018	Hyun	D24/129
2004/0089305	A1		5/2004	Vallarta	
2005/0245899	A1		11/2005	Swisher	
2008/0065023	A1		3/2008	Kennard	

* cited by examiner

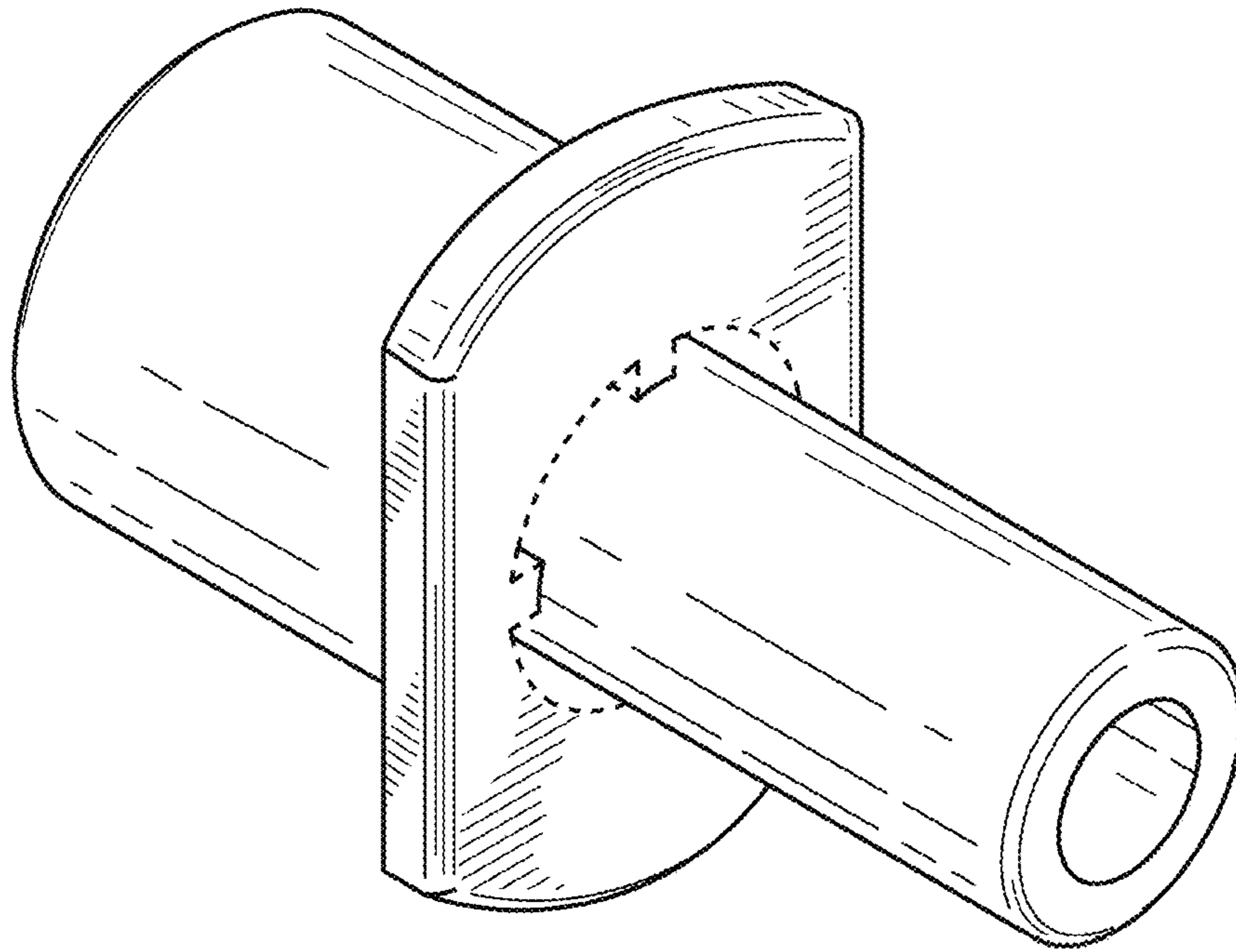


FIG. 1

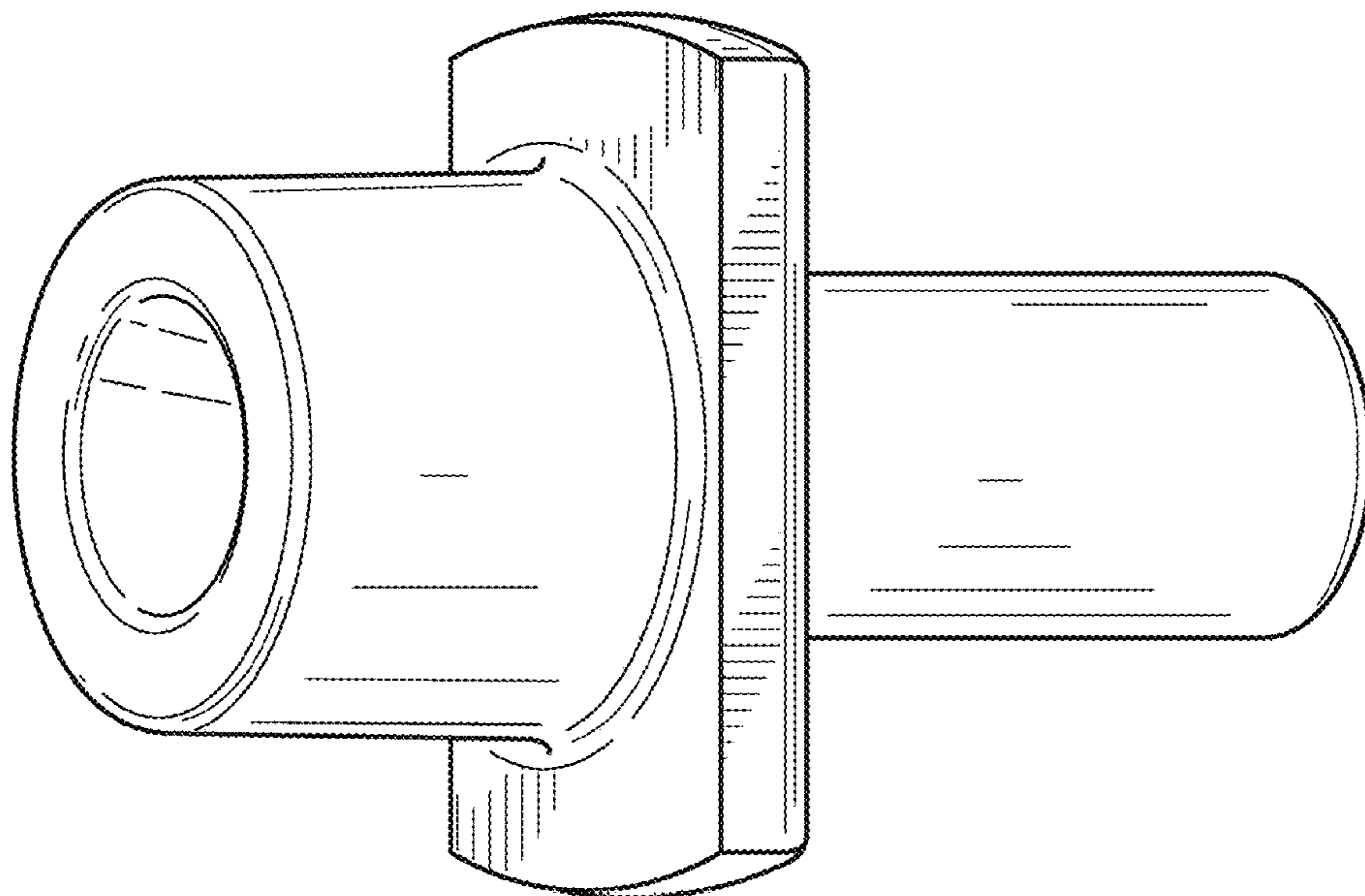


FIG. 2

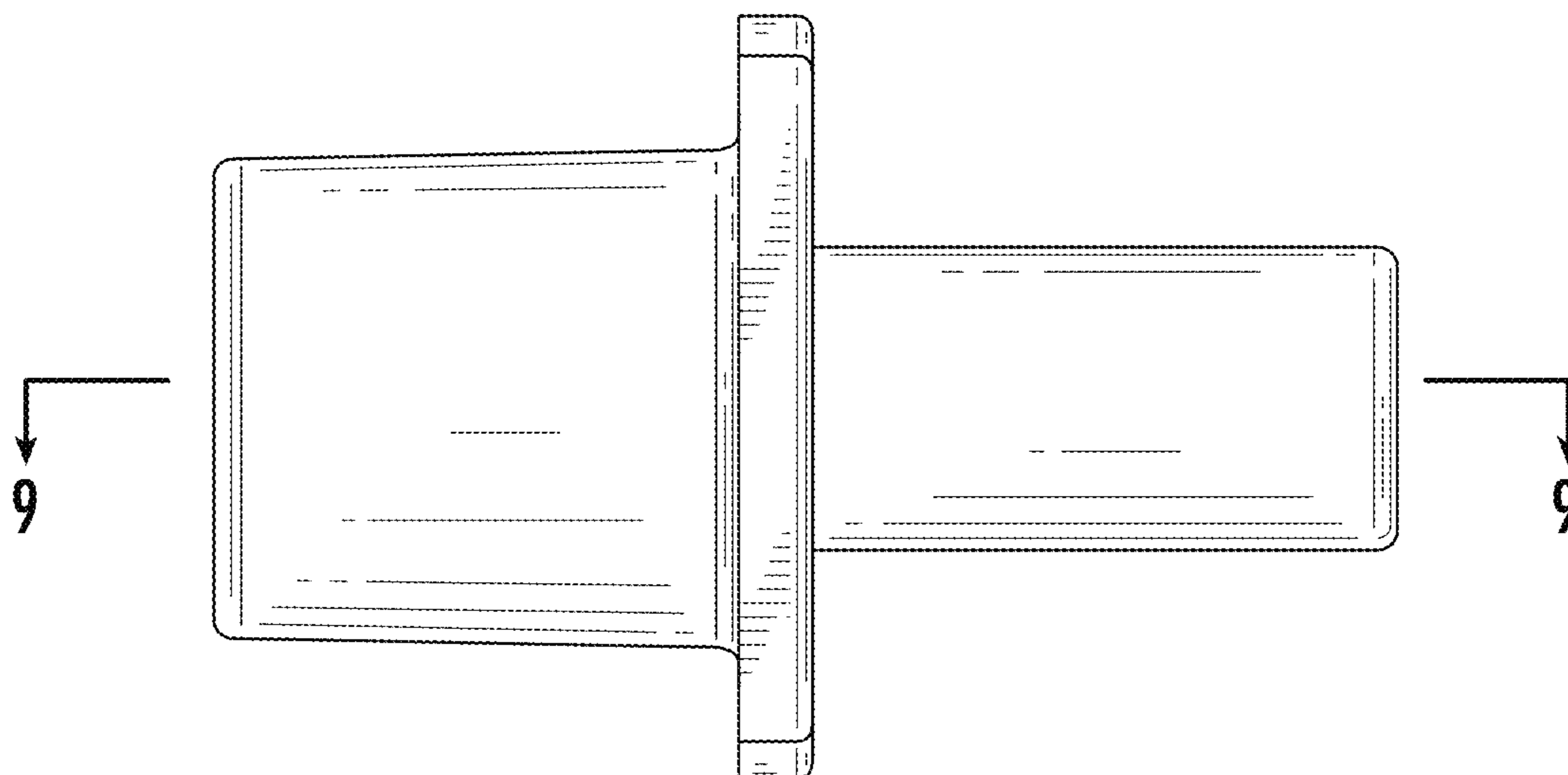


FIG. 3

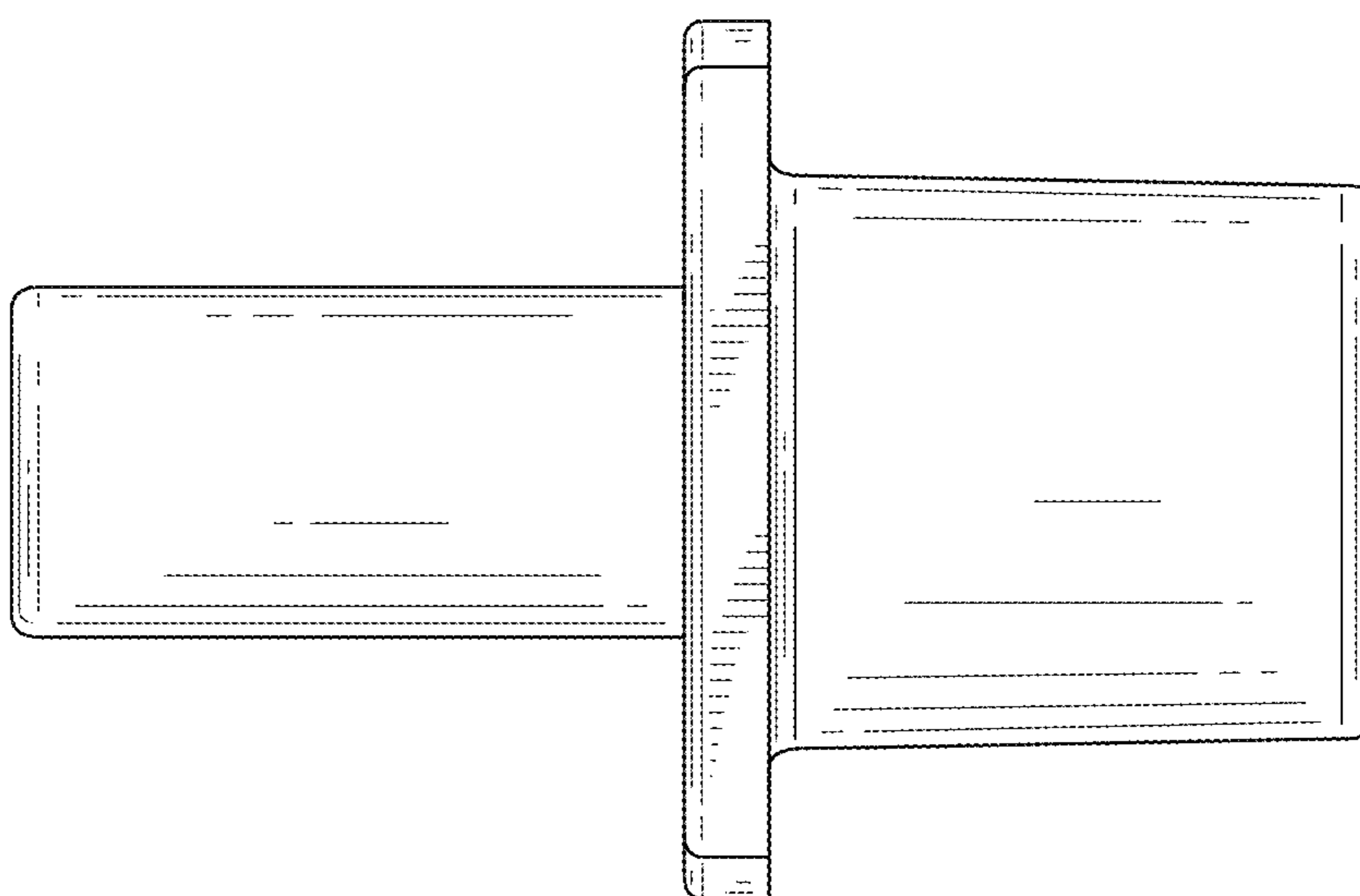


FIG. 4

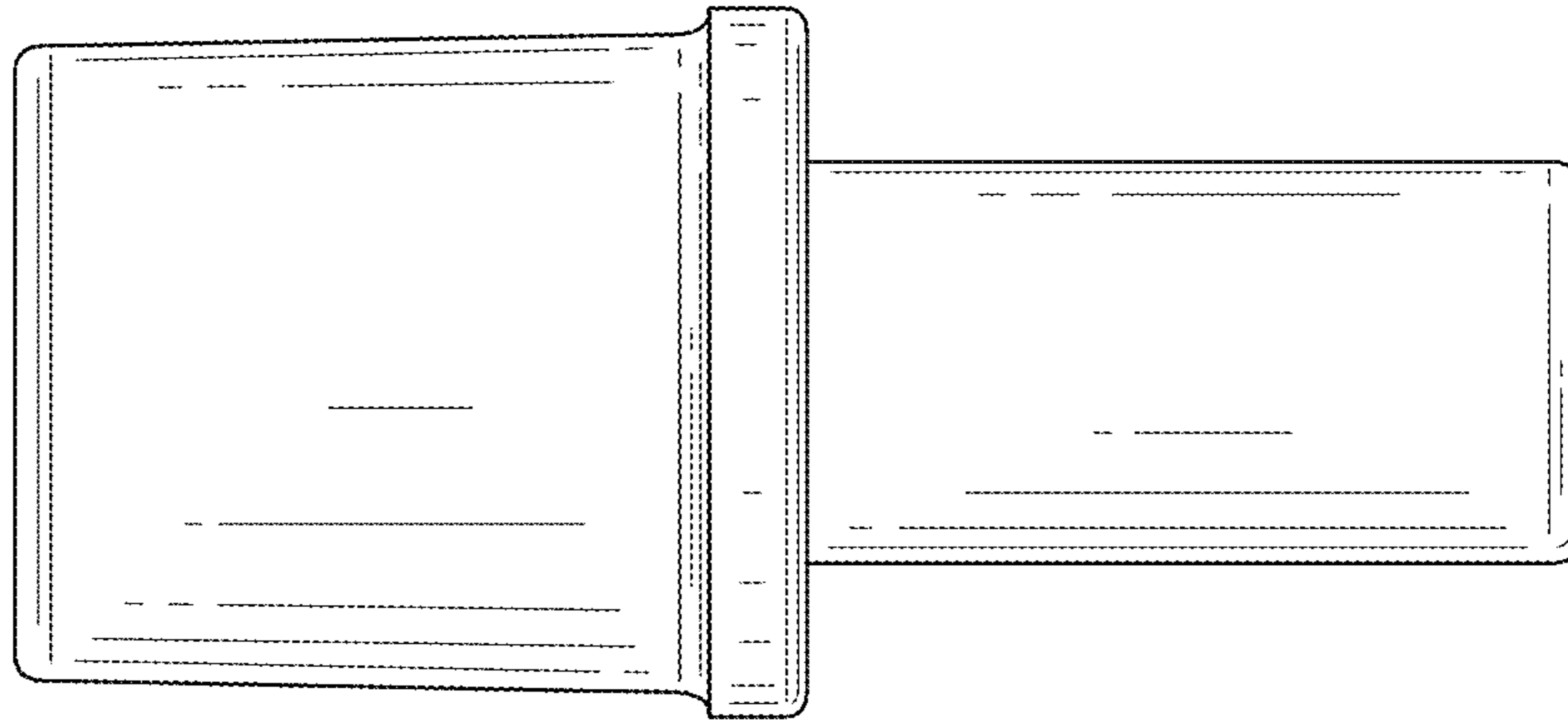


FIG. 5

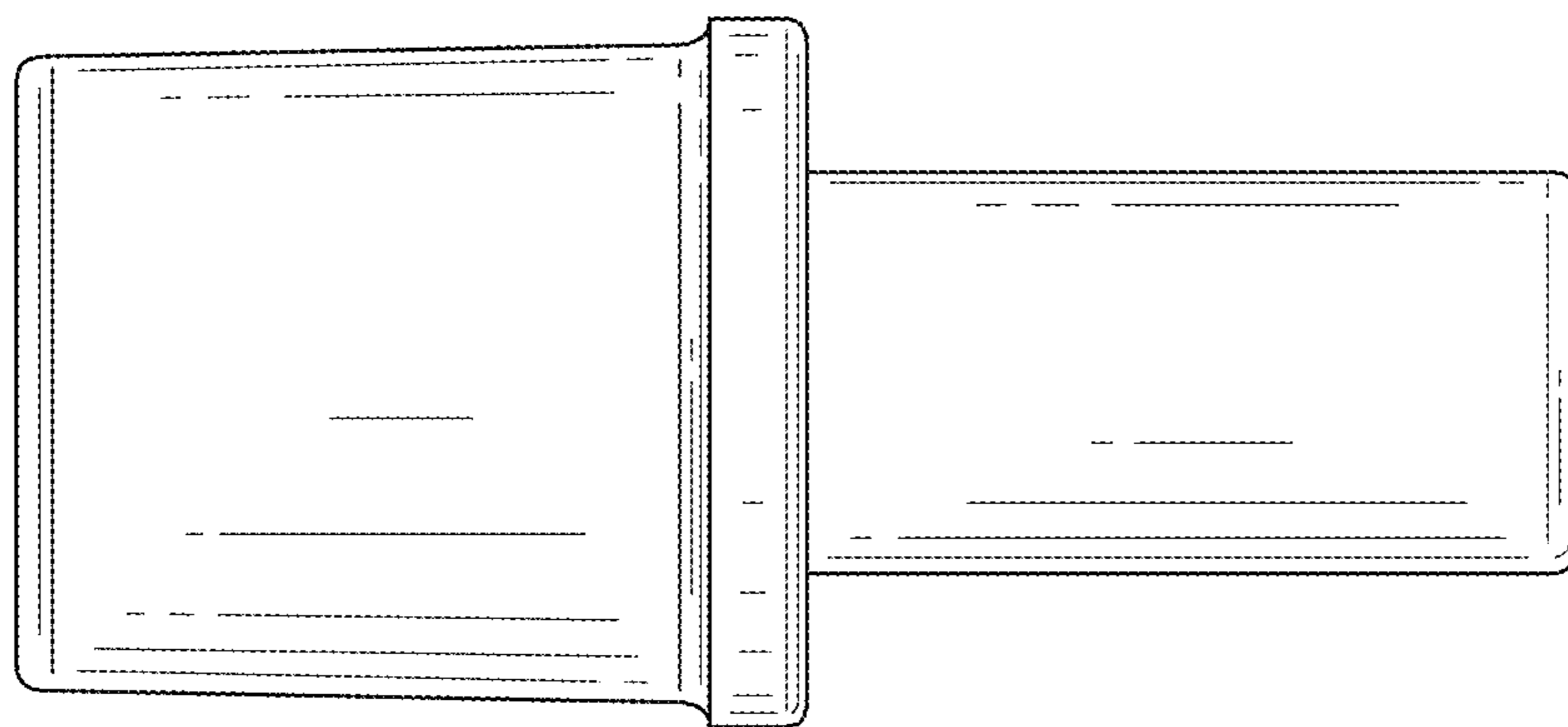


FIG. 6

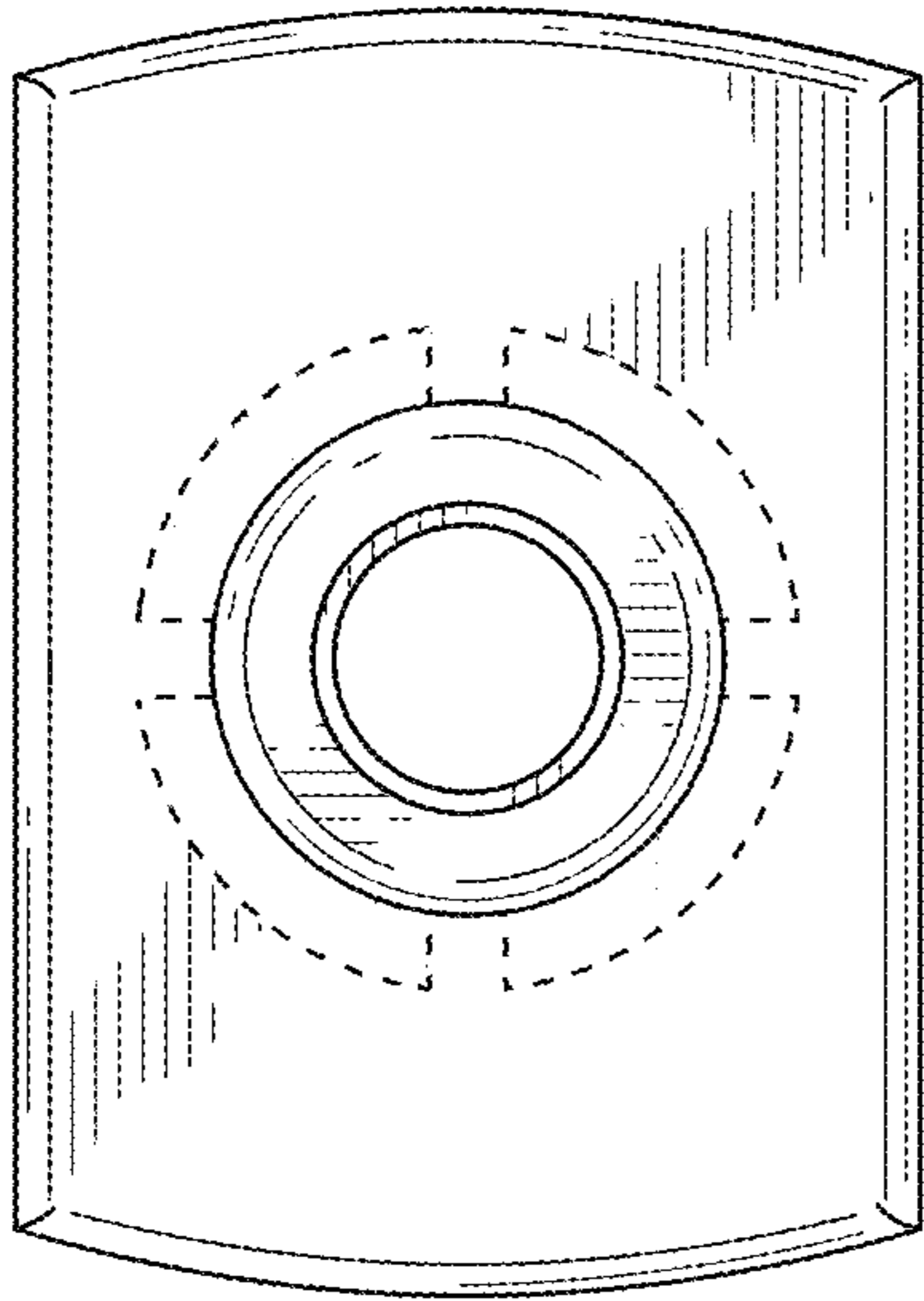


FIG. 7

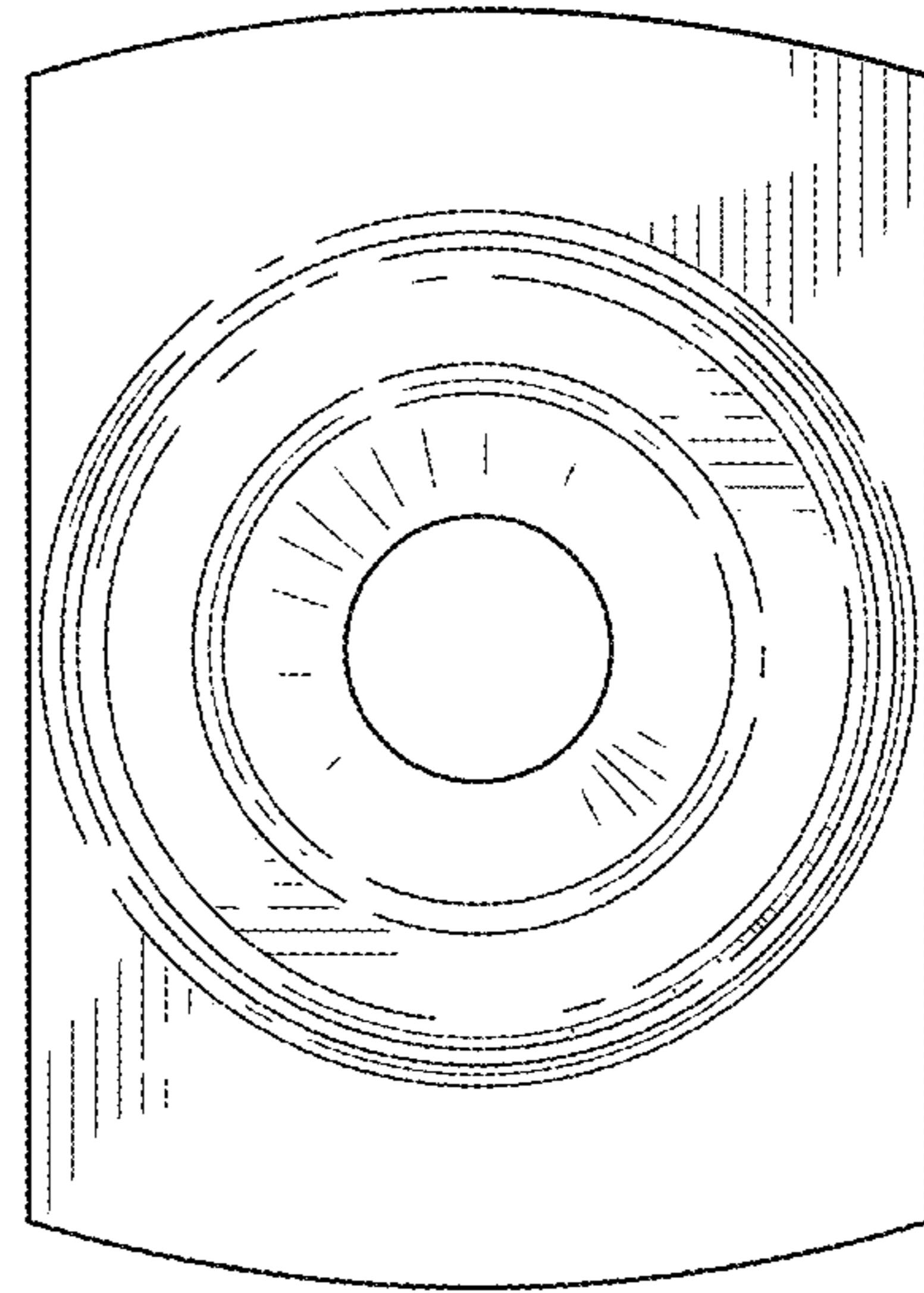


FIG. 8

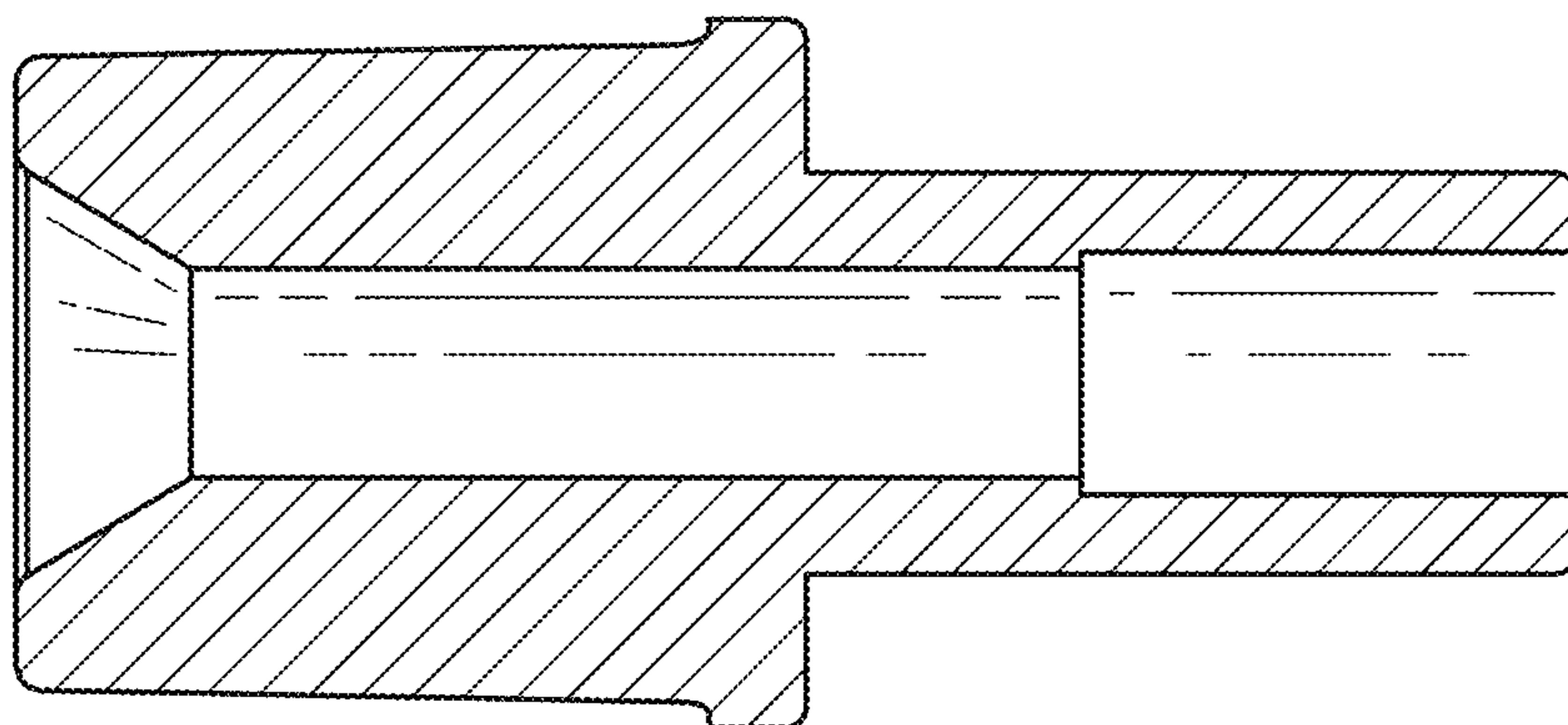


FIG. 9