



US00D831201S

(12) **United States Design Patent** (10) **Patent No.:** **US D831,201 S**
Holtz et al. (45) **Date of Patent:** **** Oct. 16, 2018**

(54) **SAFETY VALVE COMPONENT FOR A BREASTMILK COLLECTION SYSTEM**

6,196,276 B1 3/2001 De Laforcade
6,290,671 B1 9/2001 Niederberger
6,371,338 B1 4/2002 Klein et al.
6,426,046 B1 * 7/2002 Cassells B65D 51/002
215/200

(71) Applicant: **MEDELA HOLDING AG**, Baar (CH)

(Continued)

(72) Inventors: **Raymond Holtz**, Chicago, IL (US);
Kathryn Mizuchi, Round Lake Beach,
IL (US); **David Cho**, Arlington Heights,
IL (US)

FOREIGN PATENT DOCUMENTS

(73) Assignee: **MEDELA HOLDING AG**, Baar (CH)

EP 1195170 B1 12/2003

(**) Term: **15 Years**

Primary Examiner — David Muller

(74) *Attorney, Agent, or Firm* — Marshall, Gerstein & Borun LLP

(21) Appl. No.: **29/575,792**

(57) **CLAIM**

The ornamental design for a safety valve component for a breastmilk collection system, as shown and described.

(22) Filed: **Aug. 29, 2016**

(51) **LOC (11) Cl.** **24-02**

(52) **U.S. Cl.**

USPC **D24/129**

(58) **Field of Classification Search**

USPC D24/127–131, 112–114, 133, 186;
606/181, 185; 604/264, 523–528, 272,
604/187, 158, 164.01–164.11, 181, 184,
604/227; 600/101, 139, 143;
128/200.24, 207.14, 207.15

CPC A61M 25/00; A61M 39/00; A61M 27/00;
A61M 25/0043; A61M 25/0067; A61M
25/0097; A61F 2/958

See application file for complete search history.

DESCRIPTION

FIG. 1 is a top perspective view of a safety valve component for a breastmilk collection system according to the present invention;

FIG. 2 is a top view of the safety valve component for a breastmilk collection system illustrated in FIG. 1;

FIG. 3 is a front view of the safety valve component for a breastmilk collection system illustrated in FIG. 1, the left, right, and rear views being identical;

FIG. 4 is a bottom view of the safety valve component for a breastmilk collection system illustrated in FIG. 1;

FIG. 5 is a cross-sectional view of the safety valve component for a breastmilk collection system illustrated in FIG. 1, taken along lines 5-5 of FIG. 2; and,

FIG. 5A is an enlarged view of a stem and valve membrane of the safety valve component for a breastmilk collection system illustrated in FIG. 1, showing the stem and valve membrane in elevation;

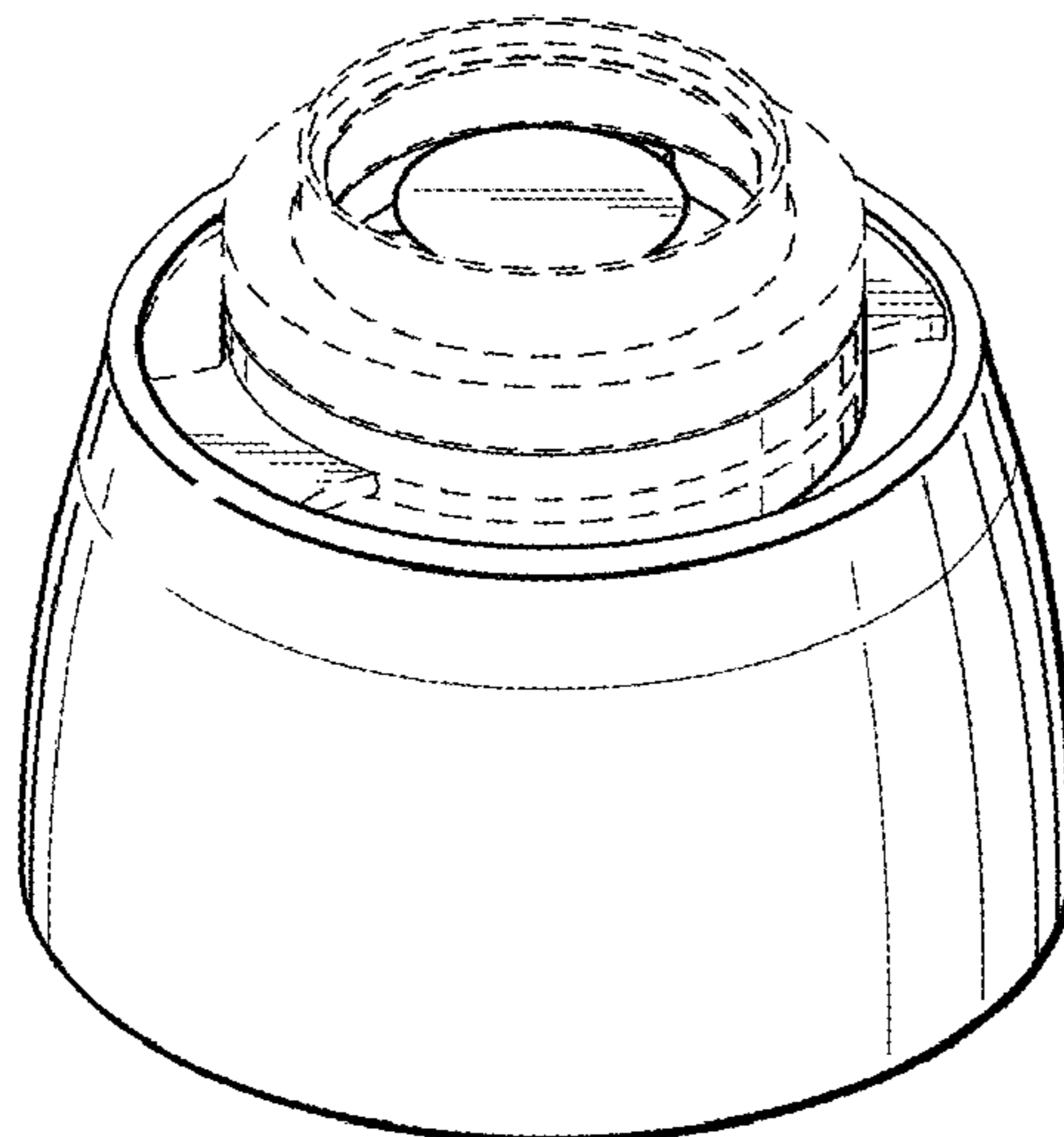
The broken lines in the drawings illustrate portions of the safety valve component for a breastmilk collection system that form no part of the claimed design.

(56) **References Cited**

U.S. PATENT DOCUMENTS

4,673,388 A 6/1987 Schlensog et al.
5,249,598 A 10/1993 Schmidt
5,533,708 A 7/1996 Atkinson et al.
5,542,921 A 8/1996 Meyers et al.
5,752,938 A 5/1998 Flatland et al.
5,897,840 A * 4/1999 Owens, Jr. A61B 10/007
220/505
6,024,729 A 2/2000 Dehdashtian et al.

1 Claim, 2 Drawing Sheets



(56)

References Cited

U.S. PATENT DOCUMENTS

6,454,745 B1 * 9/2002 Donnan A61M 5/3134
604/181
D483,487 S * 12/2003 Harding D24/129
6,706,012 B2 3/2004 McKendry et al.
7,169,130 B2 1/2007 Exline et al.
7,780,639 B2 8/2010 Van Lue
7,967,797 B2 6/2011 Winsor et al.
D673,674 S * 1/2013 Ho D24/129
8,387,811 B2 * 3/2013 Livingston B01L 3/50825
215/247
8,591,476 B2 11/2013 Winsor et al.
8,814,849 B1 8/2014 Winsor
D771,800 S * 11/2016 Engelhard D24/110
D773,035 S * 11/2016 Neuner D24/110
D777,324 S * 1/2017 Nguyen D24/127
D783,160 S * 4/2017 Griffith D24/129
D784,525 S * 4/2017 Nguyen D24/127
D794,781 S 8/2017 Gilbert et al.
2002/0156419 A1 10/2002 Silver et al.
2004/0102738 A1 5/2004 Dikeman et al.
2010/0324477 A1 12/2010 Paterson et al.
2011/0190695 A1 8/2011 Thilwind et al.
2013/0119008 A1 5/2013 Pfenniger et al.

* cited by examiner

Fig. 1

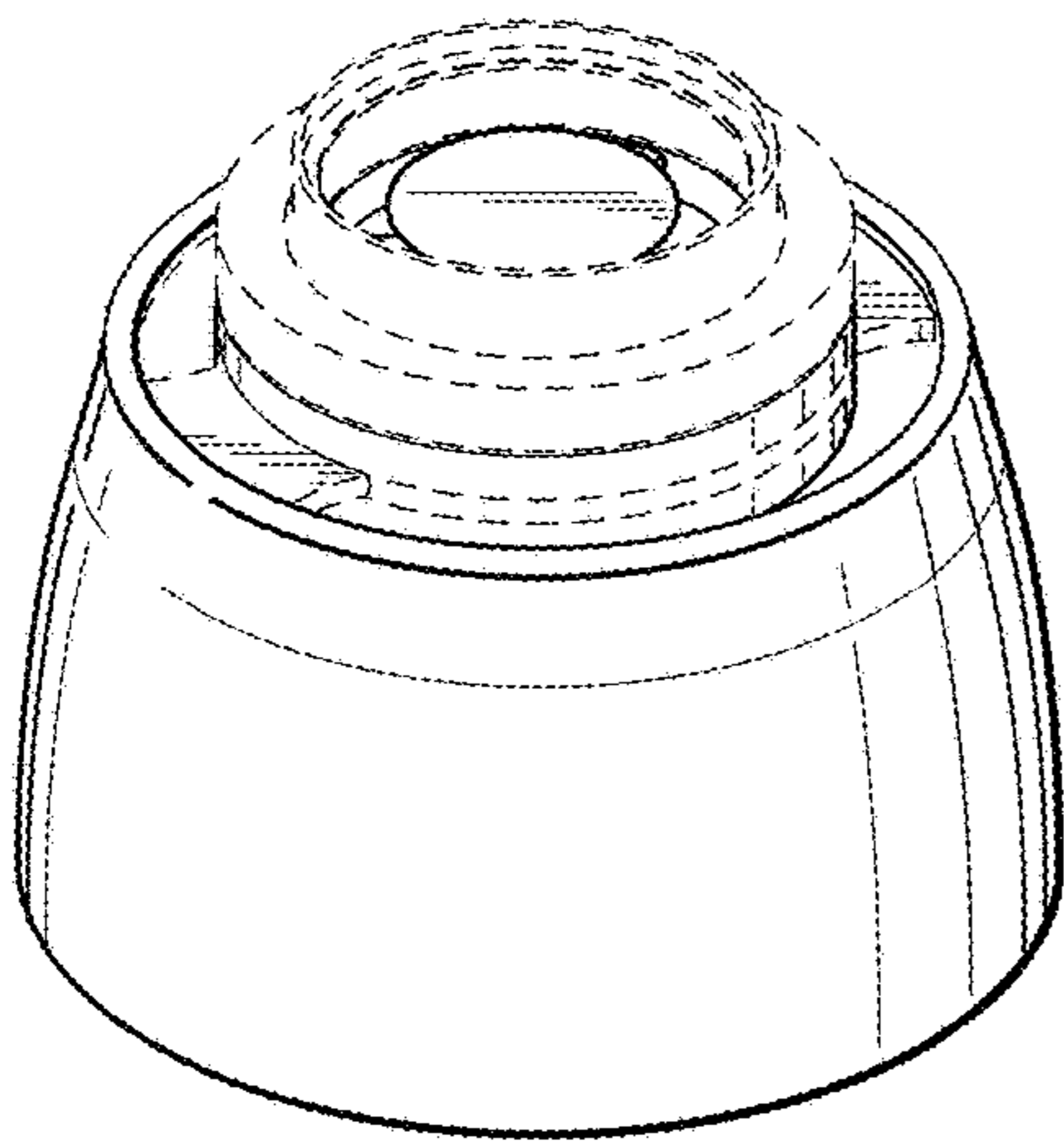


Fig. 2

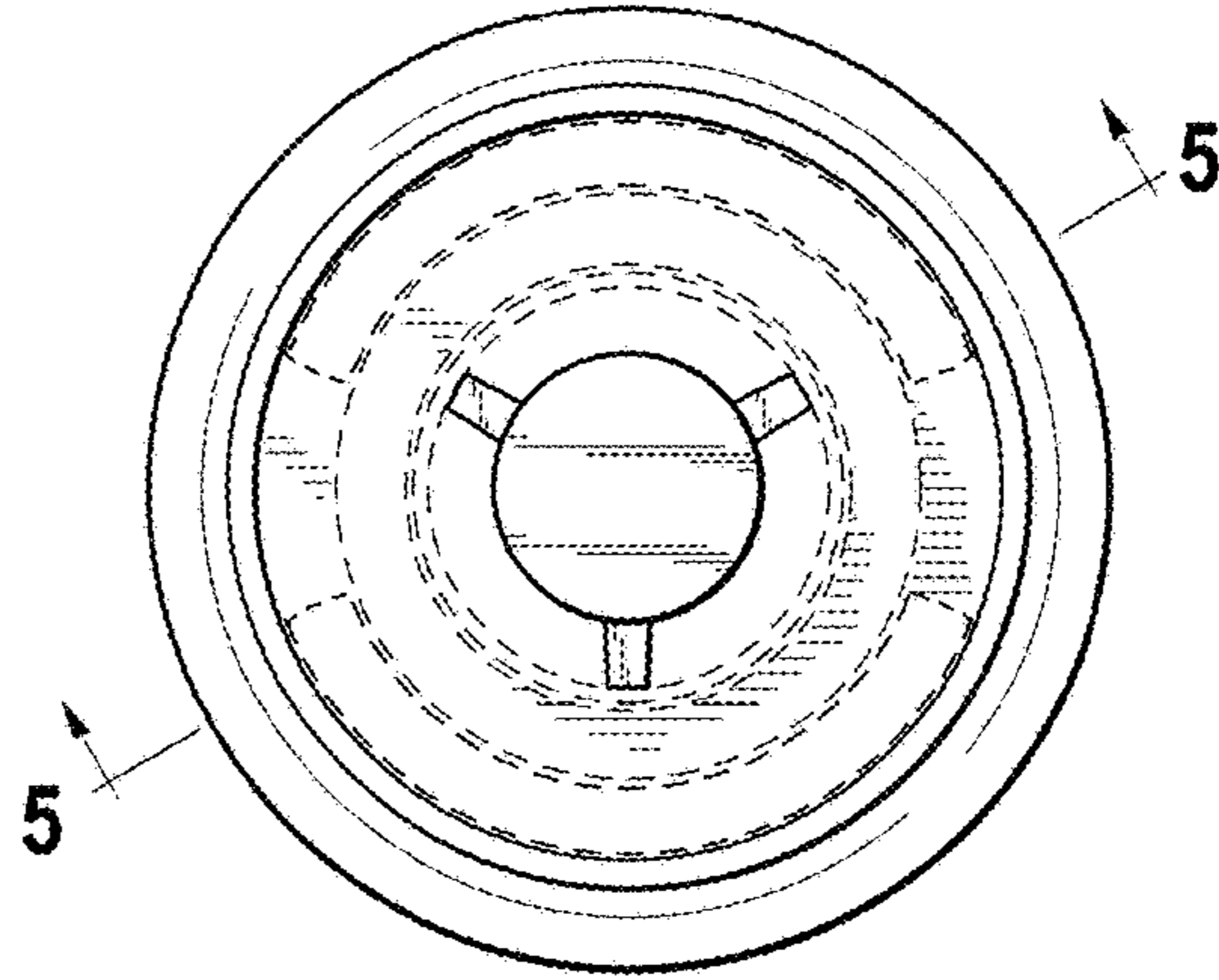


Fig. 3

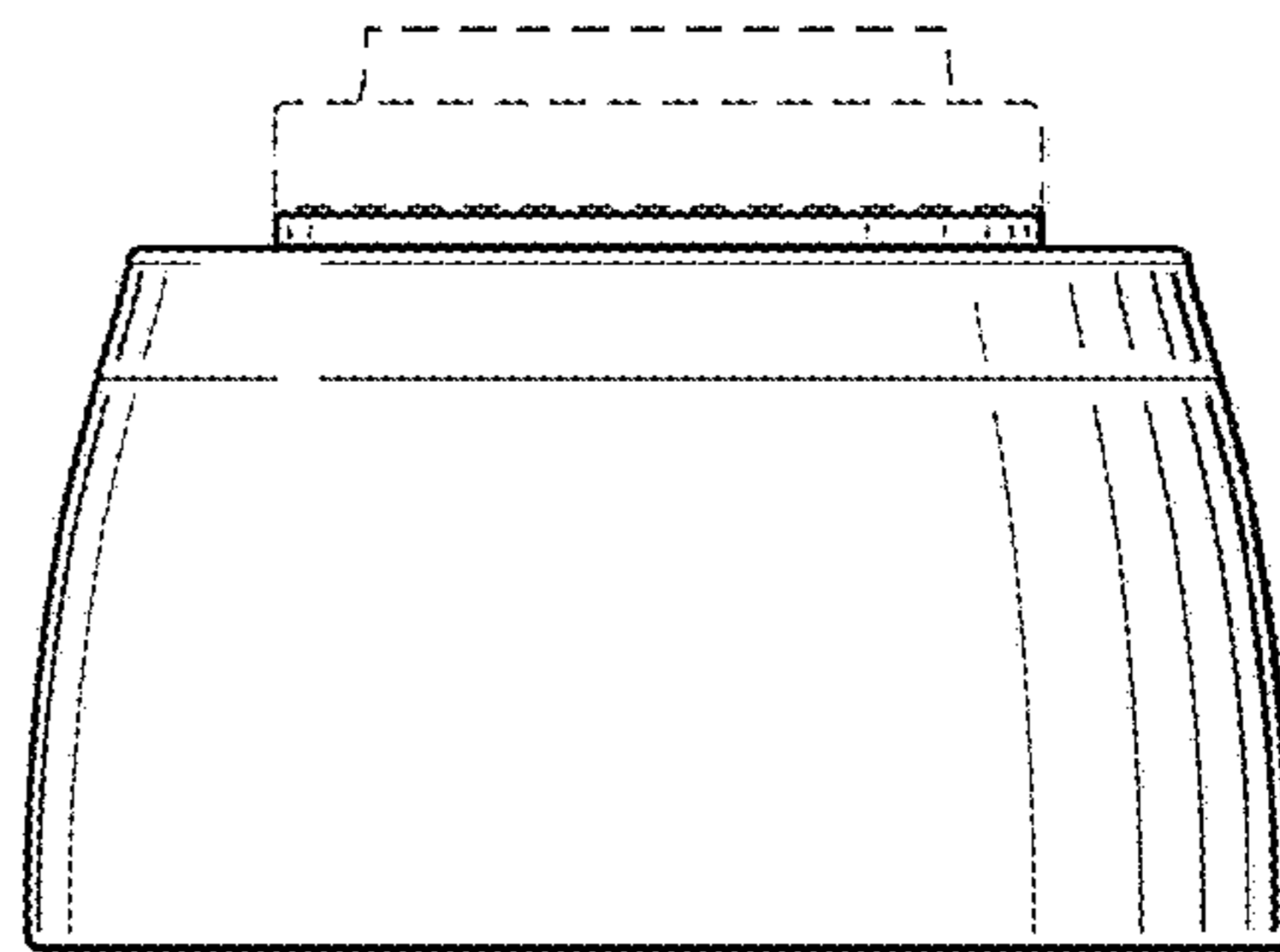


Fig. 4

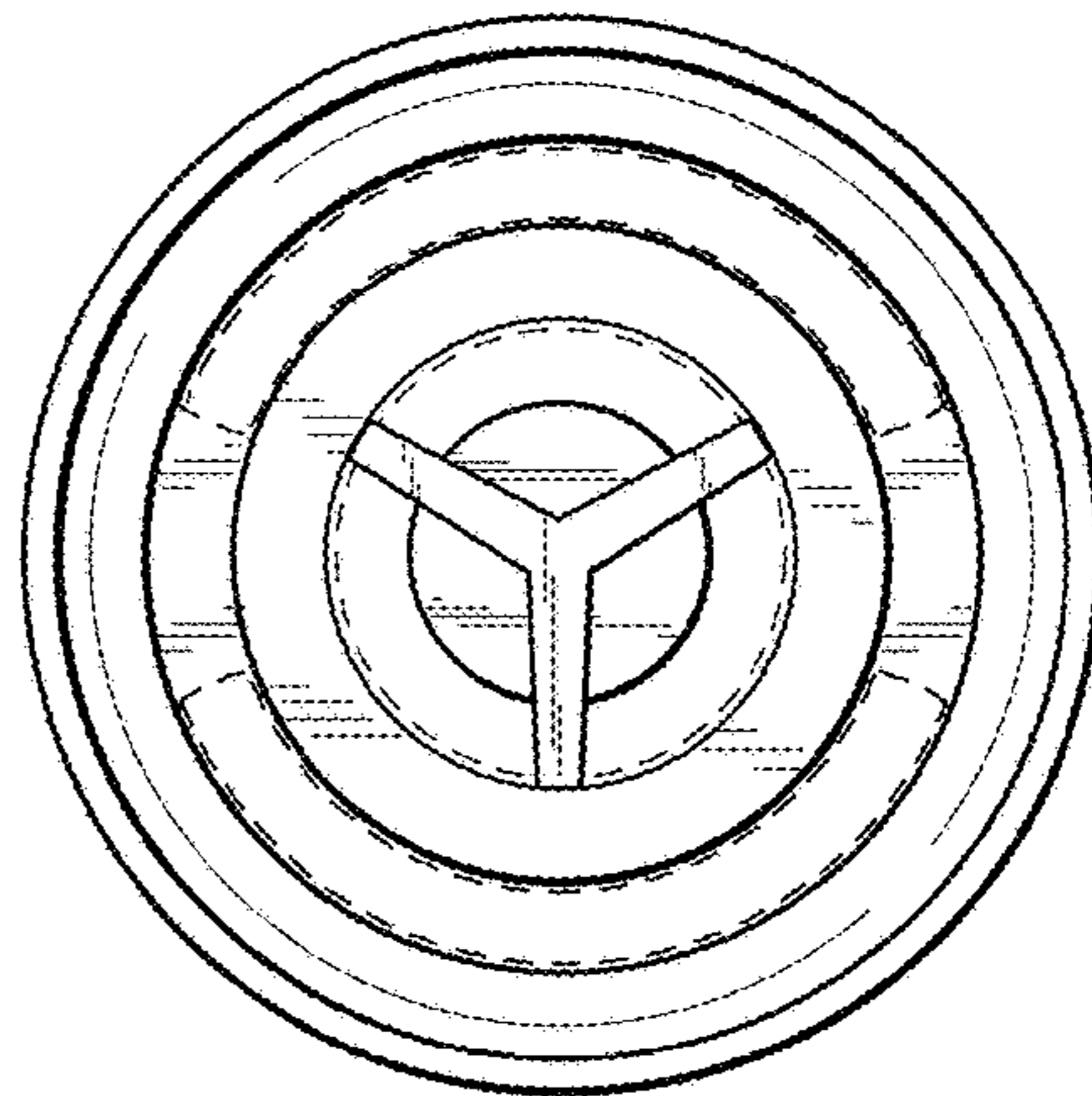


Fig. 5 Fig. 5A

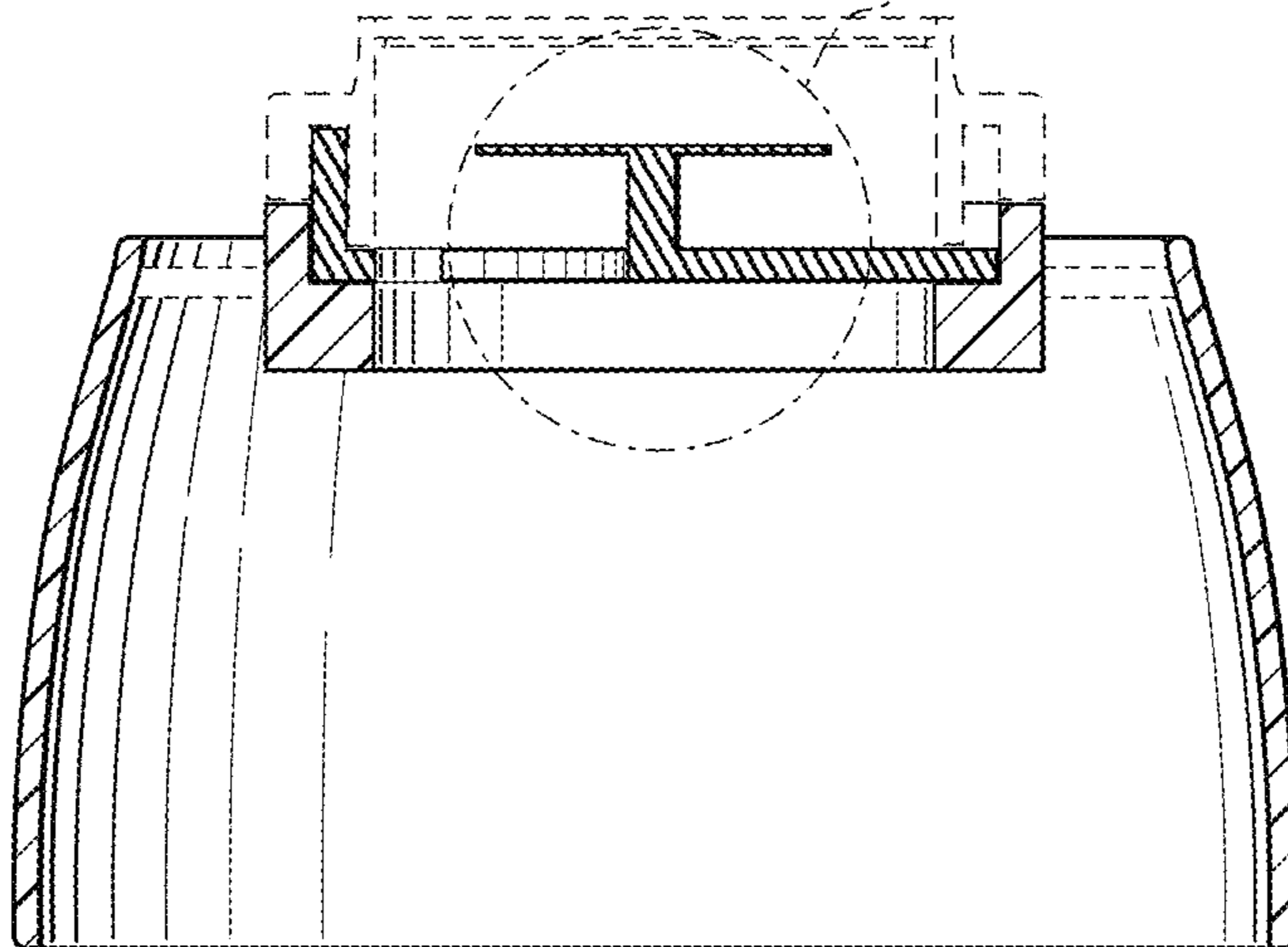


Fig. 5A

