



US00D831200S

(12) **United States Design Patent** (10) **Patent No.:** **US D831,200 S**
Bergeson (45) **Date of Patent:** **** Oct. 16, 2018**

- (54) **DELIVERY TIP**
- (71) Applicant: **ULTRADENT PRODUCTS, INC.**,
South Jordan, UT (US)
- (72) Inventor: **Benjamin Halbert Bergeson**, Cedar
Hills, UT (US)
- (73) Assignee: **Ultradent Products, Inc.**, South
Jordan, UT (US)
- (**) Term: **15 Years**
- (21) Appl. No.: **29/573,628**
- (22) Filed: **Aug. 8, 2016**
- (51) **LOC (11) Cl.** **24-01**
- (52) **U.S. Cl.**
USPC **D24/129**
- (58) **Field of Classification Search**
USPC D24/129, 112–114, 130, 104, 133, 186,
D24/108, 127; 606/181, 185; 604/264,
604/272, 115, 164.01–164.09, 533, 232,
604/187, 168.01, 192, 19, 48, 93.01, 523,
604/524, 526; 600/101, 139, 143;
128/200.24, 207.14, 207.15; 601/67
CPC A61J 1/2096; A61J 1/201; A61M 5/3202;
A61M 5/3213; A61M 5/344; A61M
2005/3104; A61M 2005/3106; A61M
2005/3109
See application file for complete search history.

- (56) **References Cited**
U.S. PATENT DOCUMENTS

2,989,053 A	6/1961	Hamilton
3,247,594 A	4/1966	Nosonowitz
4,044,468 A	8/1977	Kahn
5,405,326 A	4/1995	Haber
5,746,733 A	5/1998	Capaccio et al.
5,919,182 A	7/1999	Avallone

5,928,215 A	7/1999	Caizza et al.	
6,183,464 B1	2/2001	Sharp	
6,616,632 B2	9/2003	Sharp	
6,637,470 B2	10/2003	Reihl	
D484,976 S *	1/2004	Wilkinson	D24/130
D497,426 S *	10/2004	Hirsch	D24/108
D616,991 S *	6/2010	Kitayama	D24/186
8,540,686 B2	9/2013	Steube	
D720,452 S *	12/2014	Jordan	D24/130
D722,156 S *	2/2015	Wiegel	D24/112
D748,777 S *	2/2016	Uenishi	D24/130
D748,780 S *	2/2016	Zhang	D24/133
D748,781 S *	2/2016	Zhang	D24/133
D748,782 S *	2/2016	Zhang	D24/133
D750,223 S *	2/2016	Andino	D24/112
D750,258 S *	2/2016	Crossley	D24/129
D752,214 S	3/2016	Limaye	
D753,288 S *	4/2016	Vallotton	D24/112
D757,259 S *	5/2016	Duck	D24/129
D759,243 S *	6/2016	Molenschot	D24/114
D767,128 S *	9/2016	DeBartola	D24/130

(Continued)

Primary Examiner — David Muller
Assistant Examiner — Nathan Johnston
(74) *Attorney, Agent, or Firm* — Maschoff Brennan

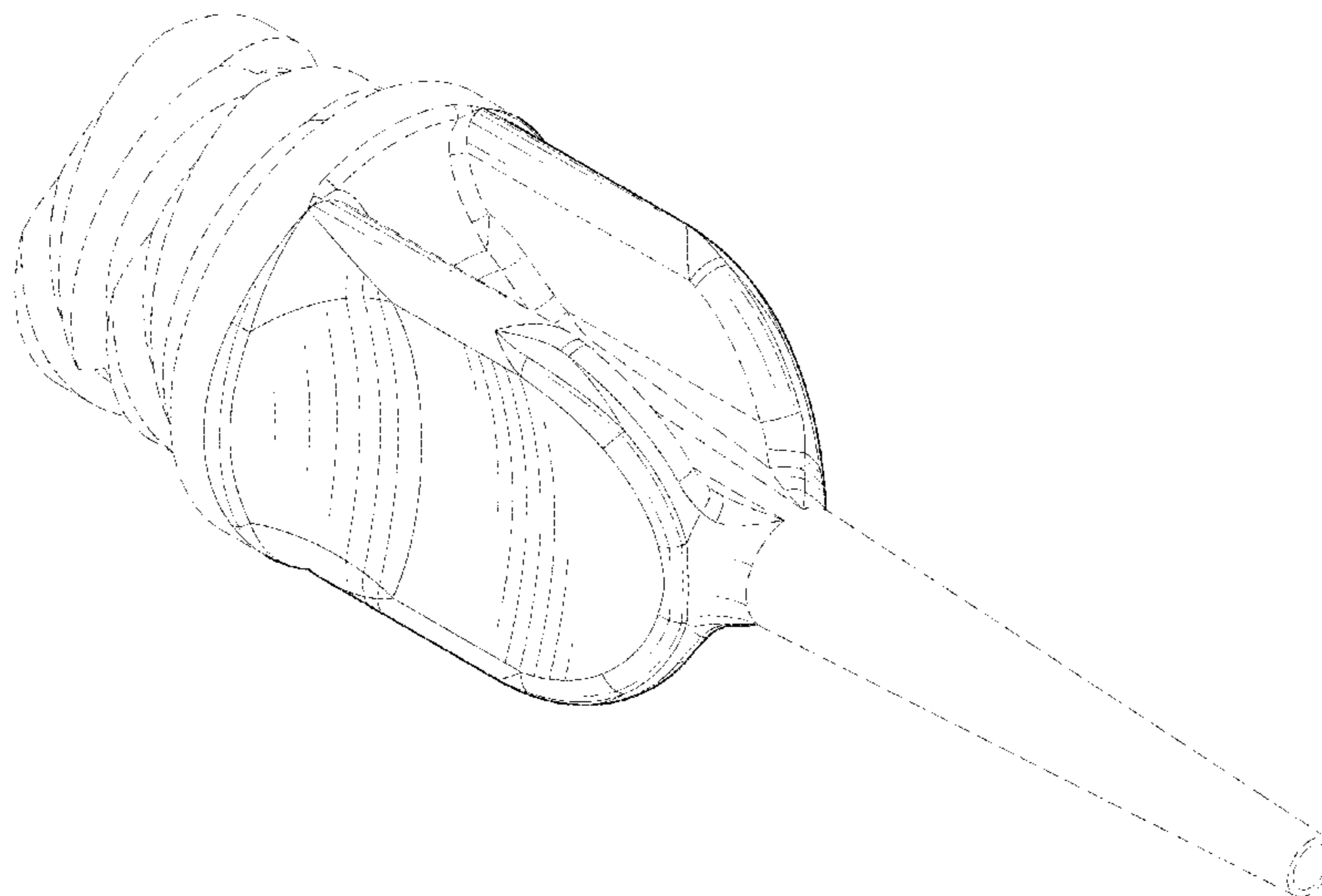
(57) **CLAIM**

The ornamental design for a delivery tip, as shown and described.

DESCRIPTION

FIG. 1 is a perspective view of delivery tip showing my new design;
FIG. 2 is a front elevation view thereof;
FIG. 3 is a rear elevation view thereof;
FIG. 4 is a left side elevation view thereof;
FIG. 5 is a right side elevation view thereof;
FIG. 6 is a top plan view thereof; and,
FIG. 7 is a bottom plan view thereof.
The broken lines show portions of the design that form no part of the claimed design.

1 Claim, 6 Drawing Sheets



(56)

References Cited

U.S. PATENT DOCUMENTS

D767,159	S	*	9/2016	Maas	D24/224
D768,852	S	*	10/2016	Rozwadowski	D24/130
D778,438	S	*	2/2017	Smith	D24/129
D784,529	S	*	4/2017	Steele	D24/129
D785,782	S	*	5/2017	Chen	D24/112
D791,941	S	*	7/2017	Burachynsky	D24/133
D792,584	S	*	7/2017	Ingram	D24/127
D792,586	S	*	7/2017	Becker	D24/129
D793,553	S	*	8/2017	Stillson	D24/130
D797,927	S	*	9/2017	Schuessler	D24/129
D804,660	S	*	12/2017	Shoji	D24/129

* cited by examiner

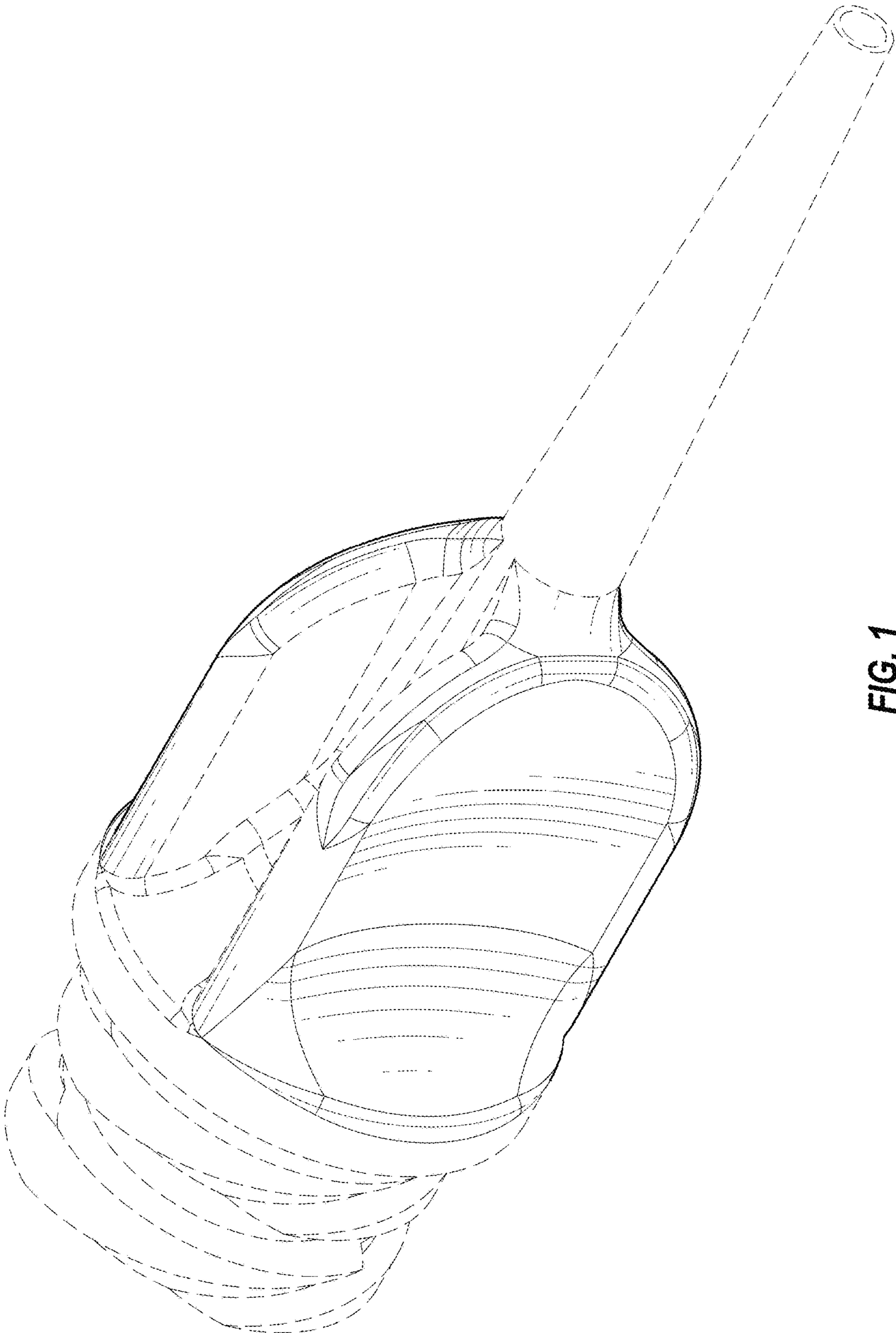


FIG. 1

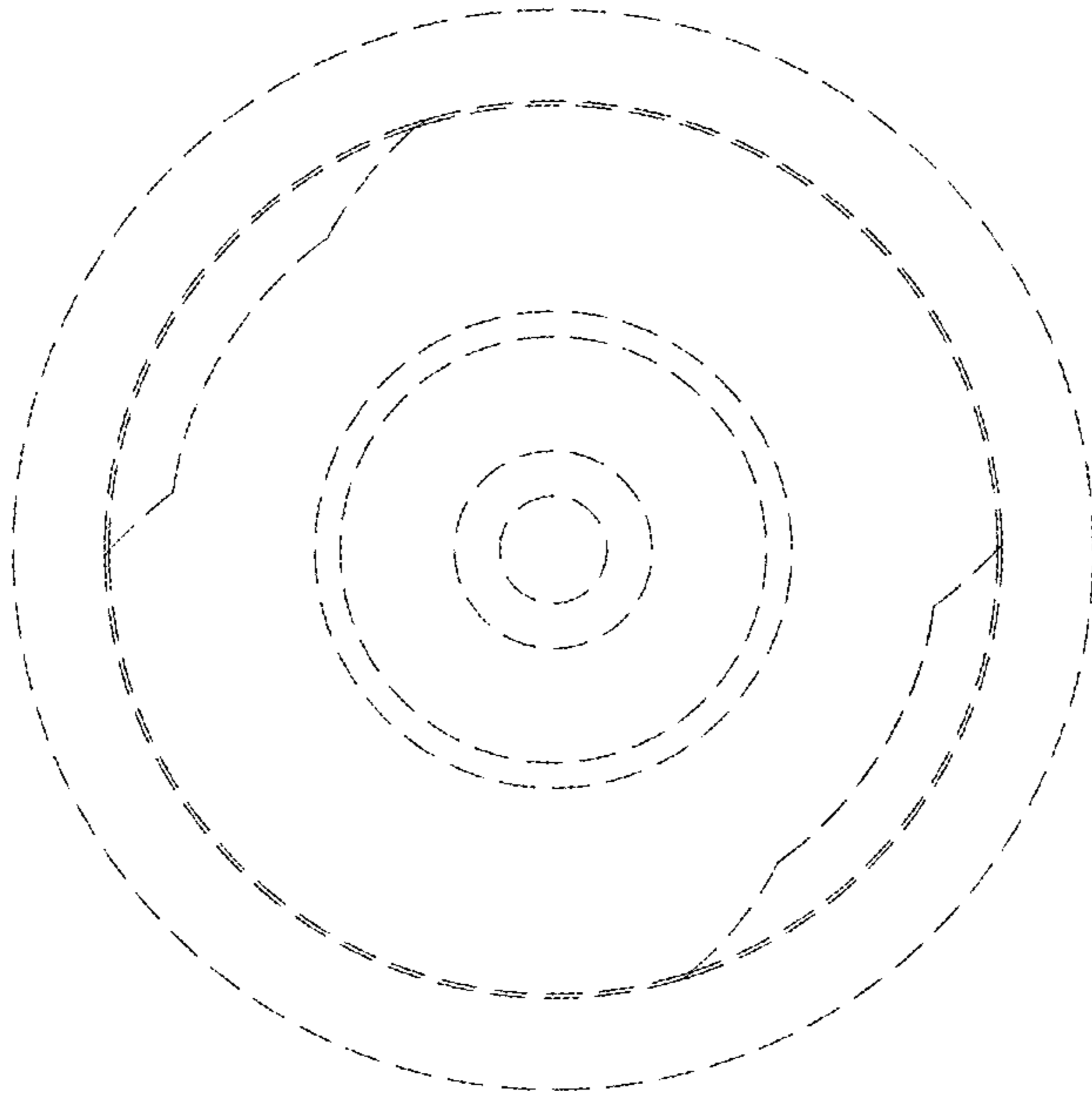


FIG. 3

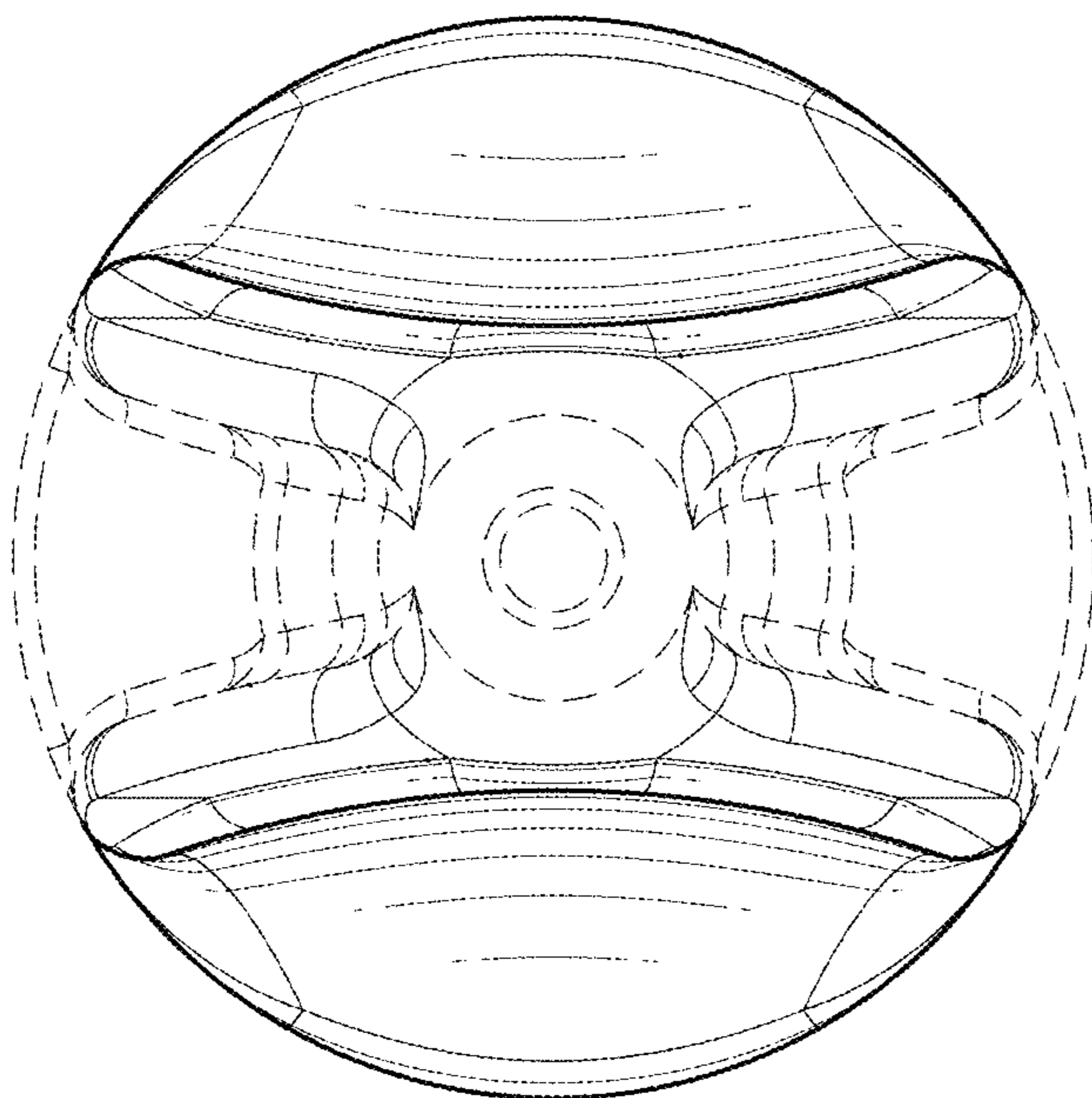


FIG. 2

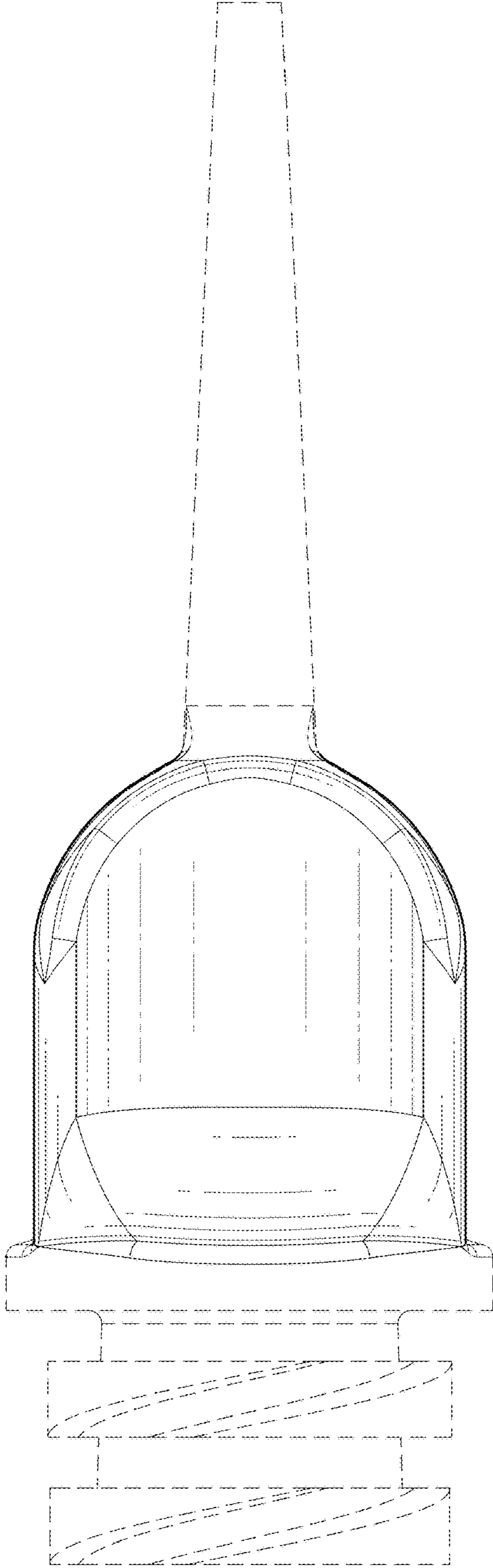


FIG. 4

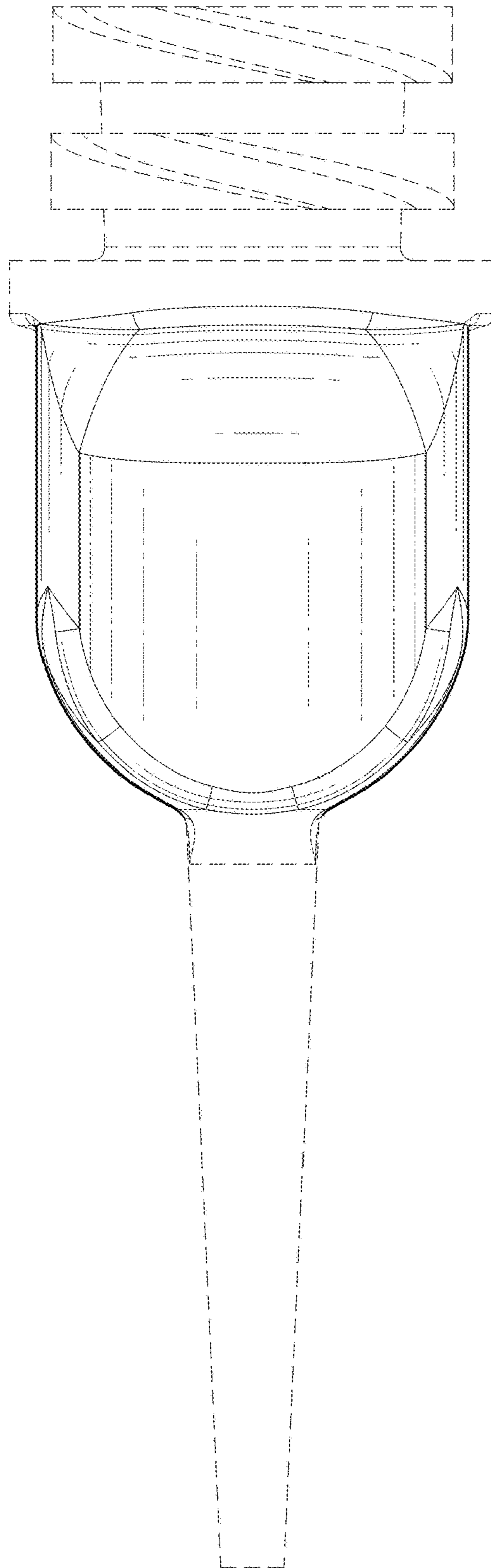


FIG. 5

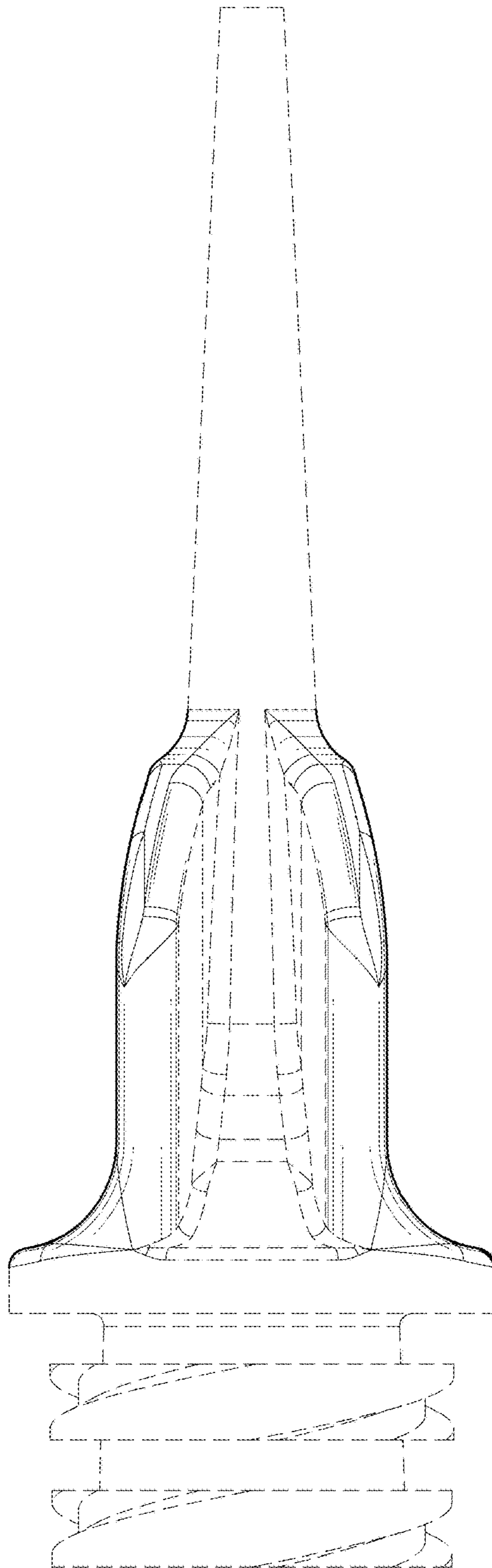


FIG. 6

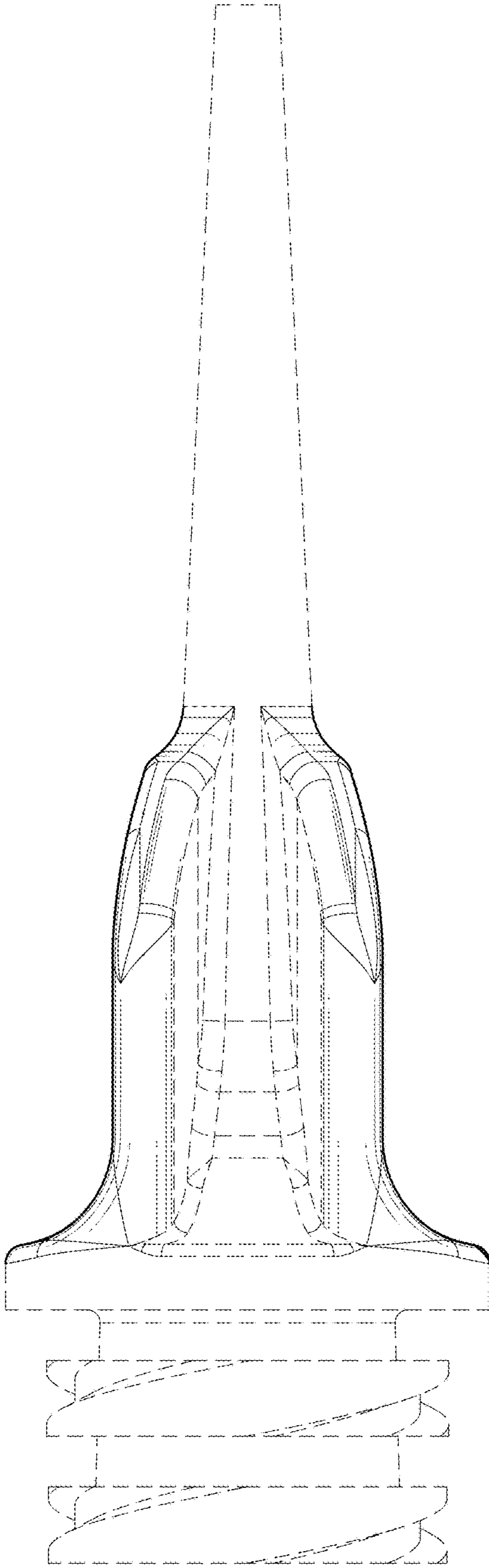


FIG. 7