



US00D831199S

(12) **United States Design Patent** (10) **Patent No.:** **US D831,199 S**
Holton et al. (45) **Date of Patent:** **** Oct. 16, 2018**

(54) **BRONCHIAL BIOPSY NEEDLE HANDLE**
(71) Applicant: **GYRUS ACMI, INC.**, Southborough, MA (US)
(72) Inventors: **Jeffrey Holton**, Stanchfield, MN (US); **Manfred Held**, Hamburg (DE); **Daniel Weber**, Champlin, MN (US); **Peter D. Hoffman**, Pittsburgh, PA (US)
(73) Assignee: **GYRUS ACMI, INC.**, Southborough, MA (US)

9,060,759 B2 6/2015 Williams et al.
D749,725 S * 2/2016 Sauer D24/133
D763,443 S * 8/2016 Chen D24/133
D767,128 S * 9/2016 DeBartola D24/130
D779,059 S * 2/2017 Nino D24/133
D779,060 S * 2/2017 Nino D24/133
D800,528 S * 10/2017 Leibowitz D8/83
D800,529 S * 10/2017 Leibowitz D8/83
D814,025 S * 3/2018 Zumbrum D24/129
D816,211 S * 4/2018 Guala D24/110.6
D816,217 S * 4/2018 Naughton D24/130

(Continued)

(**) Term: **15 Years**

(21) Appl. No.: **29/612,617**

(22) Filed: **Aug. 2, 2017**

(51) **LOC (11) Cl.** **24-02**

(52) **U.S. Cl.**
USPC **D24/127**

(58) **Field of Classification Search**
USPC D24/127-131, 112-114, 133, 186;
606/181, 185; 604/264, 523-528, 272,
604/187, 158, 164.01-164.11, 181, 184,
604/227; 600/101, 139, 143;
128/200.24, 207.14, 207.15
CPC .. A61M 25/065; A61M 5/42; A61M 25/0612;
A61M 25/00; A61M 39/00; A61M 27/00;
A61M 25/0043; A61M 25/0067; A61M
25/0097; A61F 2/958

See application file for complete search history.

(56) **References Cited**

U.S. PATENT DOCUMENTS

3,630,192 A 12/1971 Jamshidi
4,893,635 A 1/1990 de Groot et al.
6,280,399 B1 8/2001 Rossin et al.
7,914,463 B2 3/2011 Tarter et al.
7,963,928 B2 6/2011 Krause
D649,633 S * 11/2011 Claypool D24/133
8,968,210 B2 3/2015 Mugan et al.

FOREIGN PATENT DOCUMENTS

WO 2011/126963 A2 10/2011
WO 2016/073621 A1 5/2016

OTHER PUBLICATIONS

Co-pending U.S. Appl. No. 29/612,618, filed Aug. 2, 2017.

Primary Examiner — David Muller

(74) *Attorney, Agent, or Firm* — The Dobrusin Law Firm, P.C.; Daniel P. Aleksynas

(57) **CLAIM**

The ornamental design for a bronchial biopsy needle handle, as shown and described.

DESCRIPTION

FIG. 1 is a rear perspective view of the bronchial biopsy needle handle.

FIG. 2 is a top elevational view of FIG. 1.

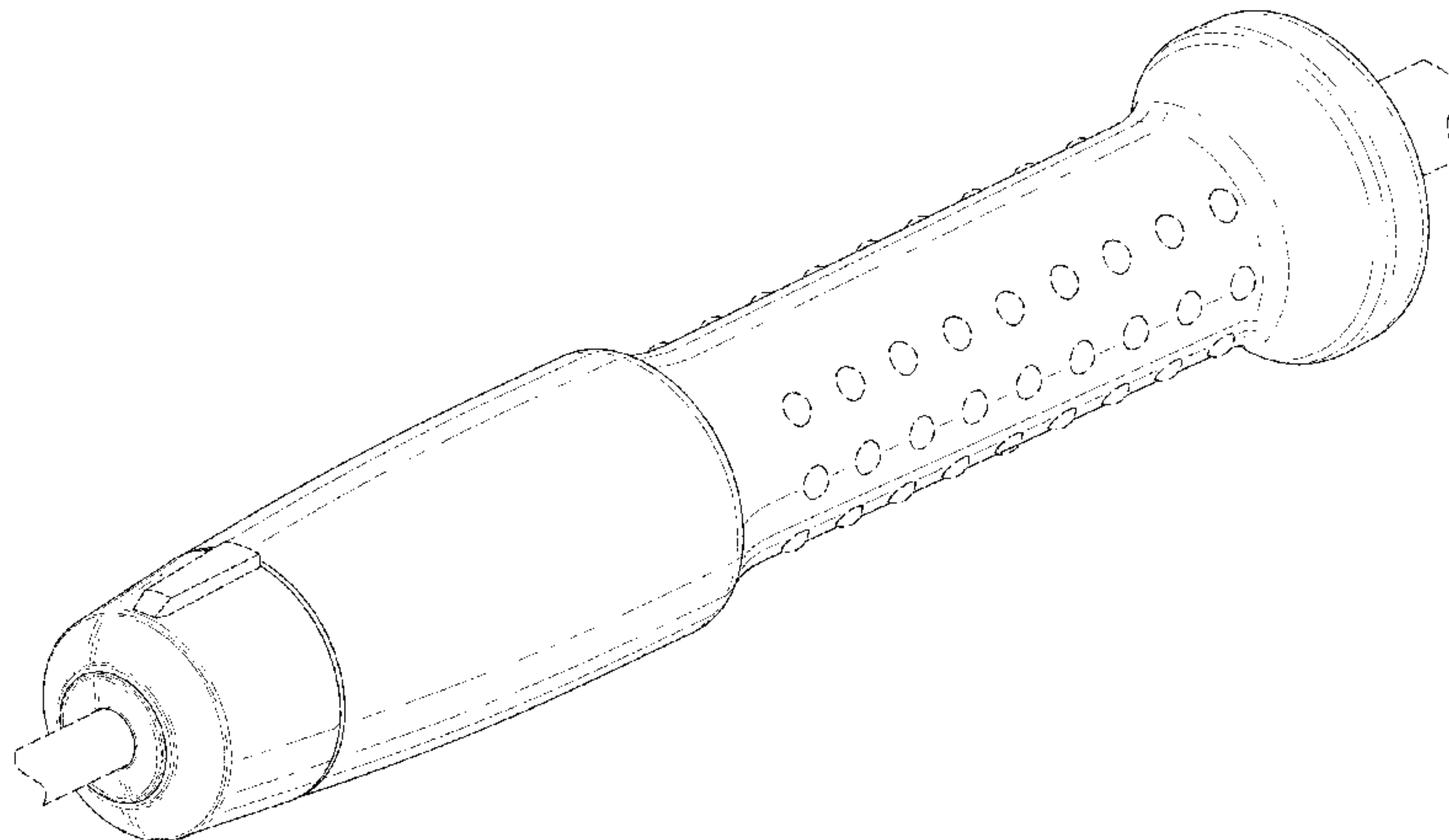
FIG. 3 is a bottom elevational view of FIG. 1.

FIG. 4 is a side elevational view of FIG. 1 the other side being a mirror image; and,

FIG. 5 is a top elevational view of FIG. 1 the bottom being a mirror image.

The broken lines illustrate portions of the bronchial biopsy needle handle that form no part of the claimed designs.

1 Claim, 2 Drawing Sheets



(56)

References Cited

U.S. PATENT DOCUMENTS

D816,831 S *	5/2018	Sacchetti	D24/127
D817,482 S *	5/2018	Howell	D24/112
2012/0289860 A1	11/2012	McClellan	
2013/0006144 A1	1/2013	Clancy et al.	
2014/0107528 A1	4/2014	Beckman et al.	
2014/0358031 A1	12/2014	Fiebig	
2014/0364762 A1	12/2014	Rhad	
2015/0164487 A1	6/2015	Mugan et al.	
2015/0265258 A1	9/2015	Toomey et al.	
2016/0066897 A1	3/2016	Mugan et al.	
2016/0081673 A1	3/2016	Wehbe	
2016/0206294 A1	7/2016	McWeeney et al.	
2017/0071584 A1	3/2017	Suigetsu et al.	

* cited by examiner

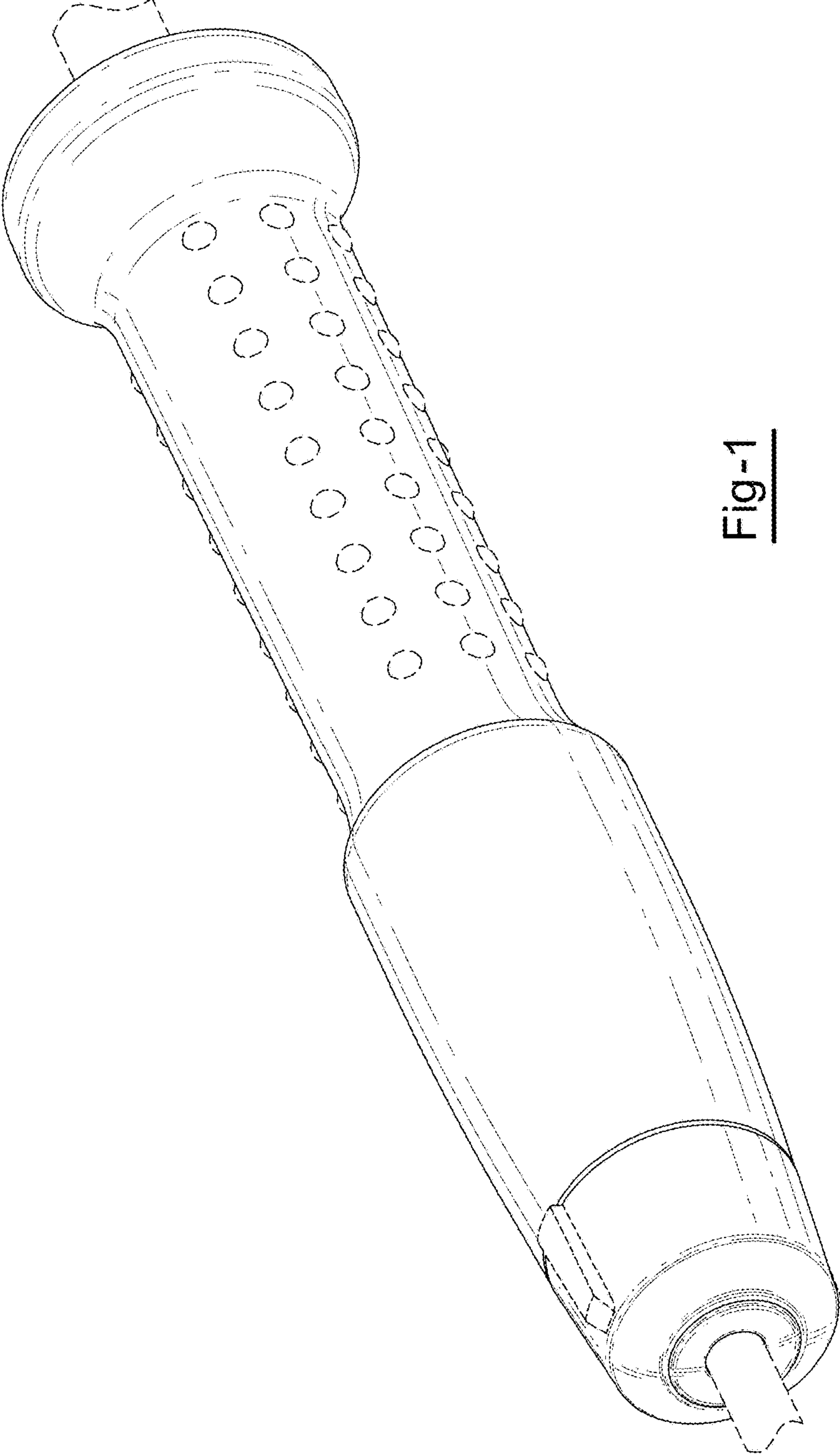


Fig-1

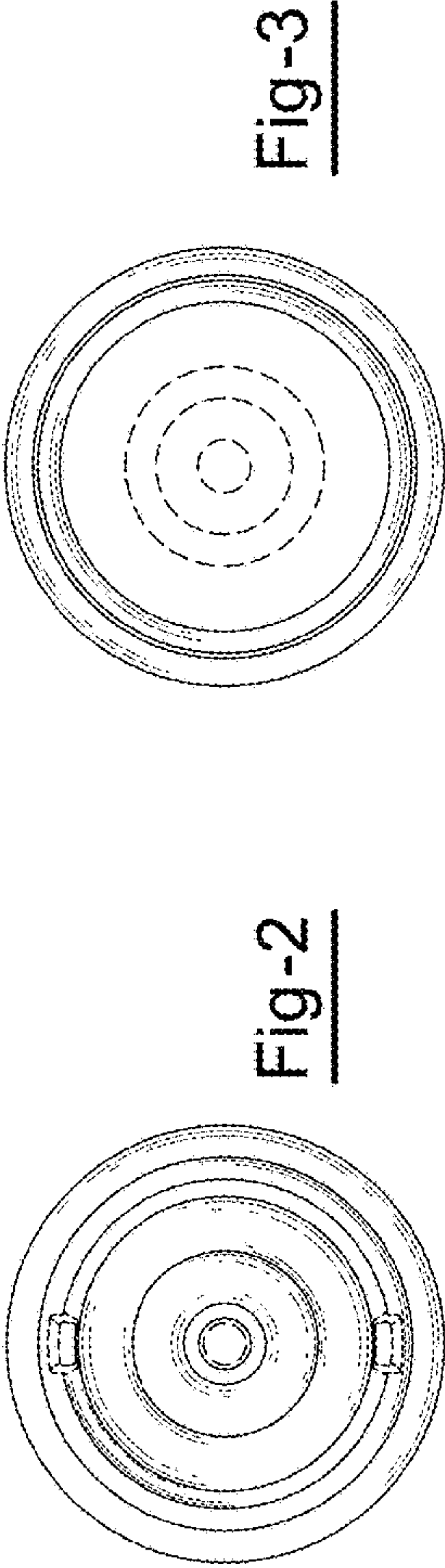


Fig-3

Fig-2

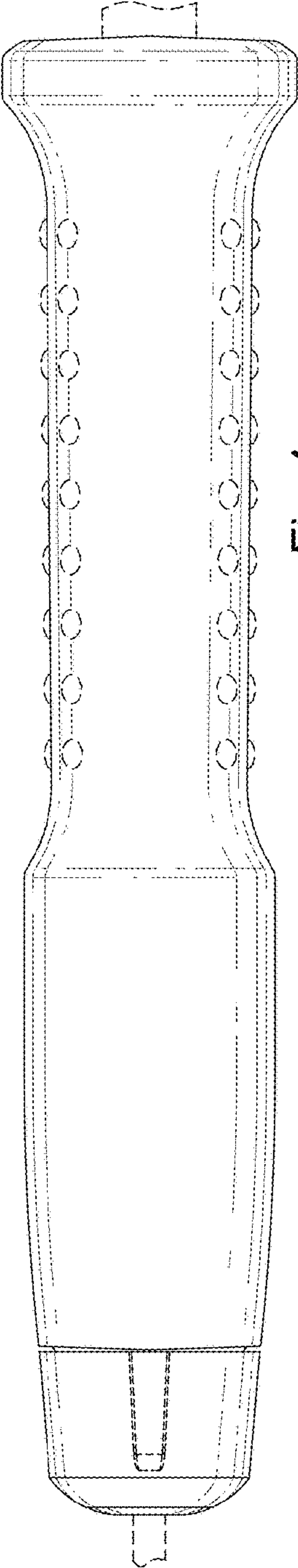


Fig-4

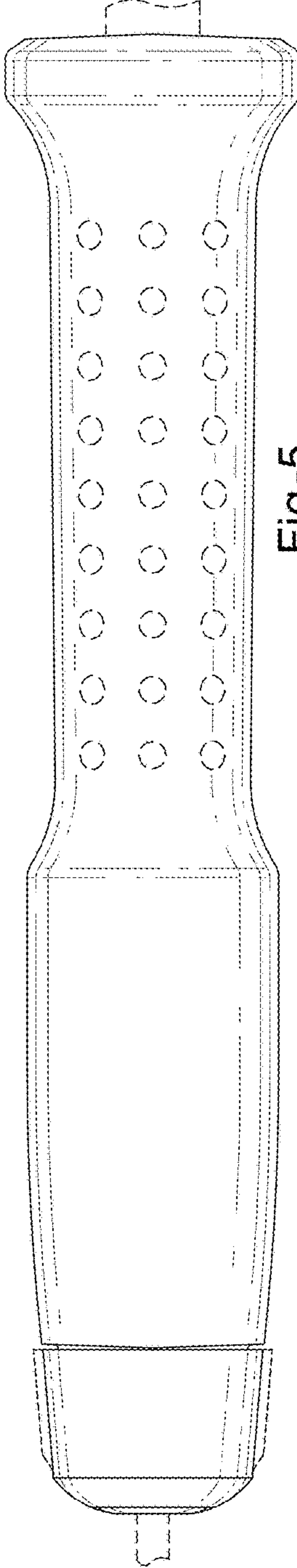


Fig-5