



US00D831198S

(12) **United States Design Patent** (10) **Patent No.:** **US D831,198 S**
Ross et al. (45) **Date of Patent:** **** Oct. 16, 2018**

(54) **COLLET FOR A FLUID DELIVERY APPARATUS**

(71) Applicant: **KIMBERLY-CLARK WORLDWIDE, INC.**, Neenah, WI (US)

(72) Inventors: **Russell Ross**, Jacksonville Beach, FL (US); **Andrew T. Baker**, Norcross, GA (US); **Elizabeth D. Gadsby**, Marietta, GA (US); **Alyson Yamada**, Palo Alto, CA (US); **Aaron Peck**, San Francisco, CA (US); **Pratap Ganapathy**, Menlo Park, CA (US)

(73) Assignee: **KIMBERLY-CLARK WORLDWIDE, INC.**, Neenah, WI (US)

(**) Term: **15 Years**

(21) Appl. No.: **29/587,922**

(22) Filed: **Dec. 16, 2016**

(51) **LOC (11) Cl.** **24-02**

(52) **U.S. Cl.**
USPC **D24/127**

(58) **Field of Classification Search**

USPC D24/8, 112, 113, 114, 127, 128, 129, D24/130, 133, 141, 146, 147, 152, 186, D24/214, 215; D8/93, 97, 300, 310, 311; D23/129, 223, 249, 259, 262
CPC ... A44C 5/0007; A44C 5/0023; A44C 5/0053; A61M 5/158; A61M 5/1582; A61M 5/3243; A61M 5/14244; A61M 5/14248; A61M 2005/14252; A61M 2005/1583; A61M 2005/1585; A61M 2005/3227; A61M 2037/0023; A61M 37/015; A61M 25/0606; A61M 25/0612; A61M 25/0637; A61B 17/205; A61B 1/00094

See application file for complete search history.

(56) **References Cited**

U.S. PATENT DOCUMENTS

3,890,513 A * 6/1975 Barleen B06B 1/0651
310/314
D270,244 S * 8/1983 McCormick D10/15
D290,371 S * 6/1987 Slayer 84/454
D392,573 S * 3/1998 Repp D10/106.5
D558,988 S * 1/2008 Gibson D6/309
D637,713 S * 5/2011 Nord D24/129
D765,838 S * 9/2016 McGarry D24/130
D781,167 S * 3/2017 Wang D10/106.5
2010/0286615 A1* 11/2010 Gyrn A61M 5/158
604/164.04
2016/0030667 A1* 2/2016 Hirschel A61M 5/158
604/510
2017/0246428 A1* 8/2017 Constantineau .. A61M 25/0606

* cited by examiner

Primary Examiner — Sheryl L Lane

Assistant Examiner — Calvin E Vansant

(74) *Attorney, Agent, or Firm* — Armstrong Teasdale LLP

(57) **CLAIM**

We claim the ornamental design for a collet for a fluid delivery apparatus, as shown and described.

DESCRIPTION

FIG. 1 is a perspective view of a collet for a fluid delivery apparatus of our new design.

FIG. 2 is a right side view thereof.

FIG. 3 is a left side view thereof.

FIG. 4 is a front elevation view thereof.

FIG. 5 is a back elevation view thereof.

FIG. 6 is a top plan view thereof; and,

FIG. 7 is a bottom plan view thereof.

The broken lines depict portions of the collet for a fluid delivery apparatus that form no part of the claimed design.

1 Claim, 7 Drawing Sheets

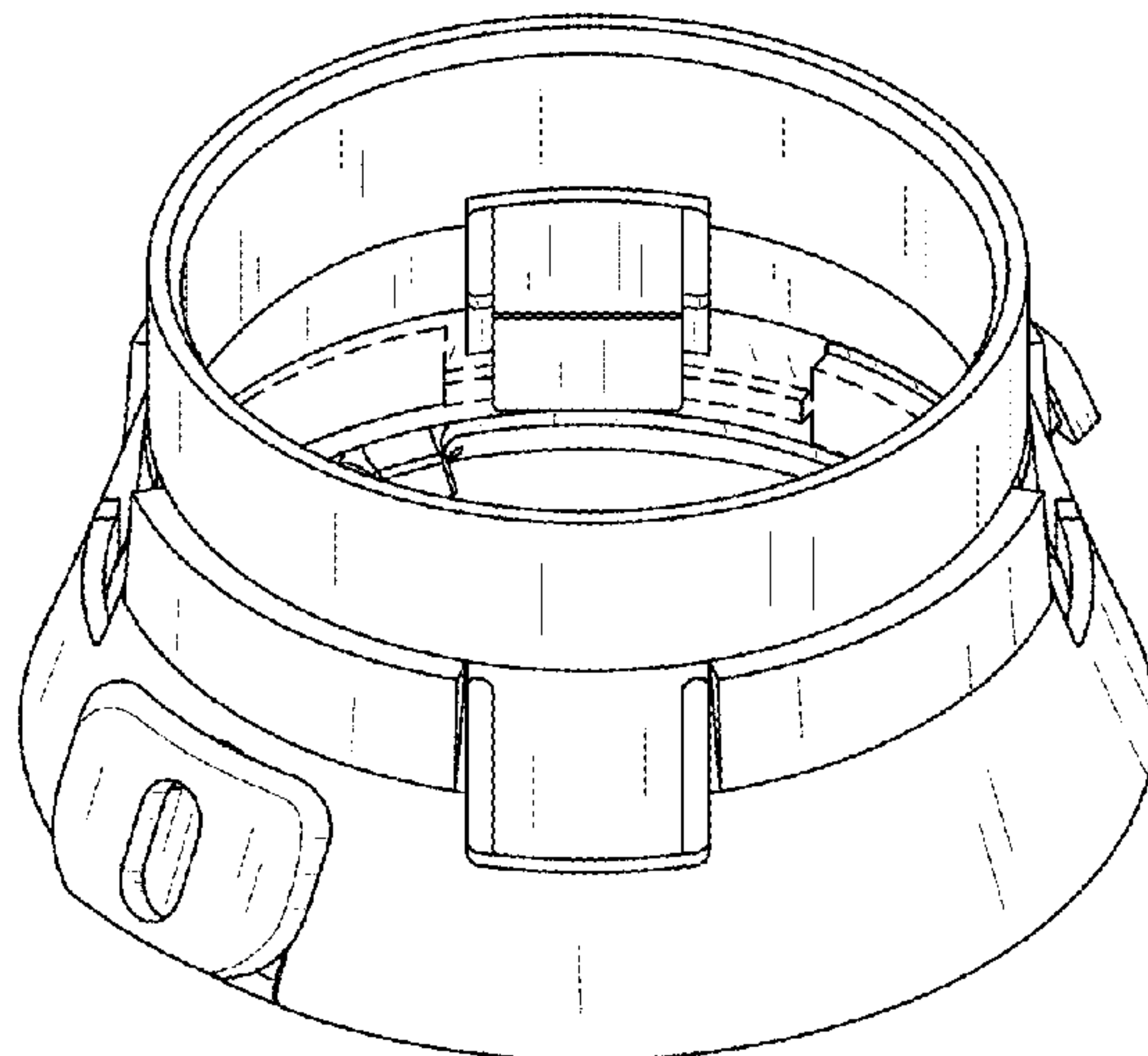


FIG. 1

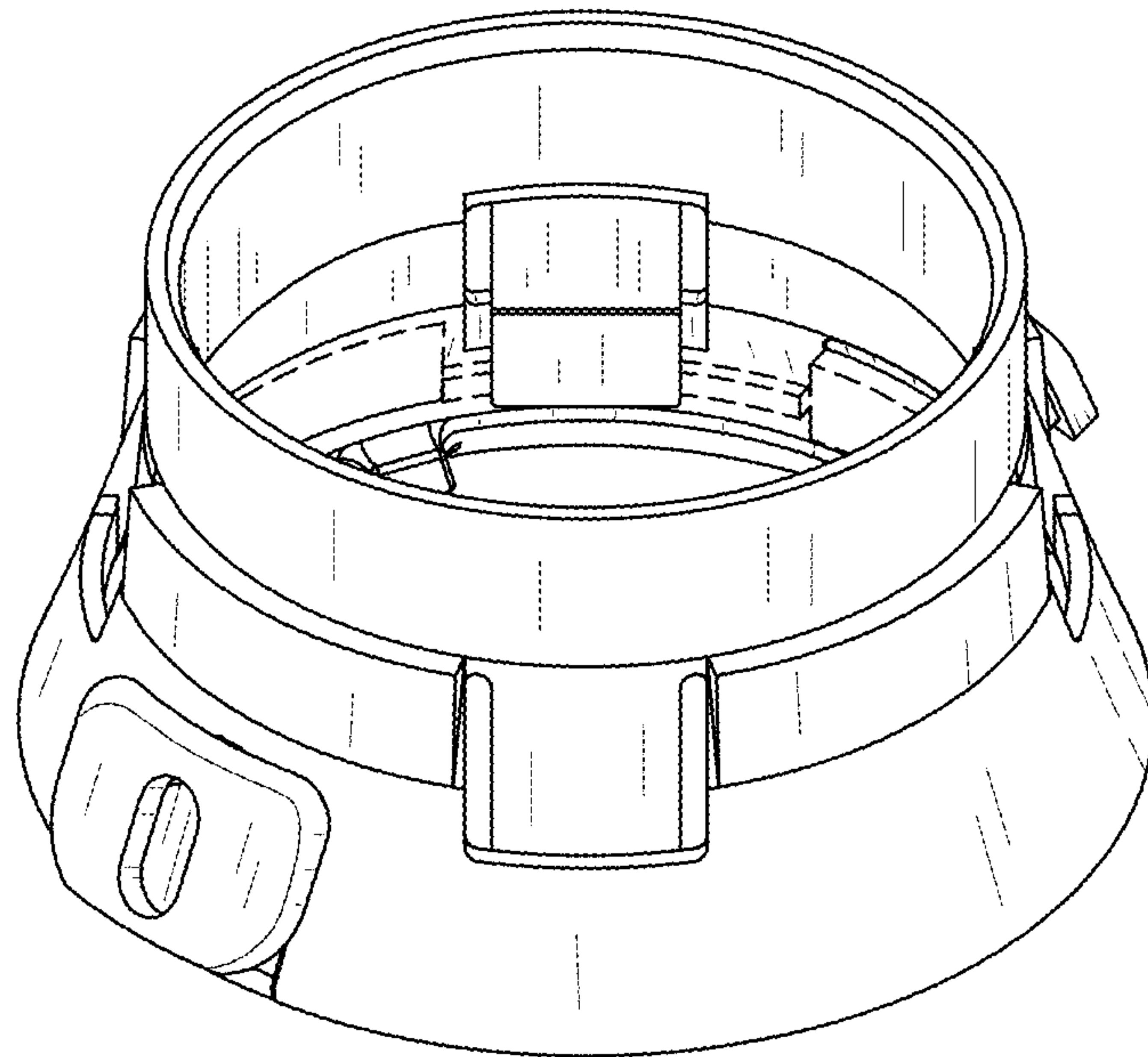


FIG. 2

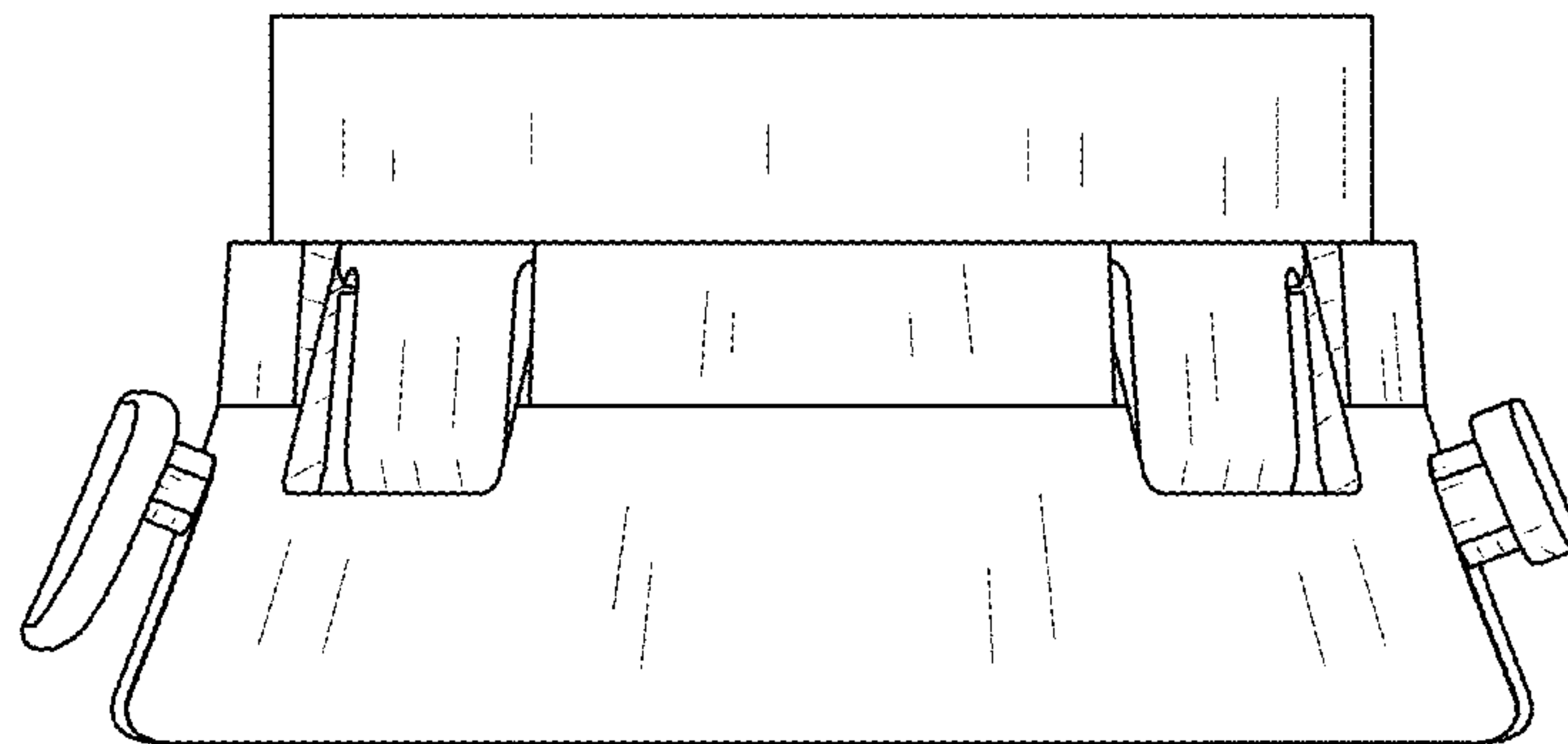


FIG. 3

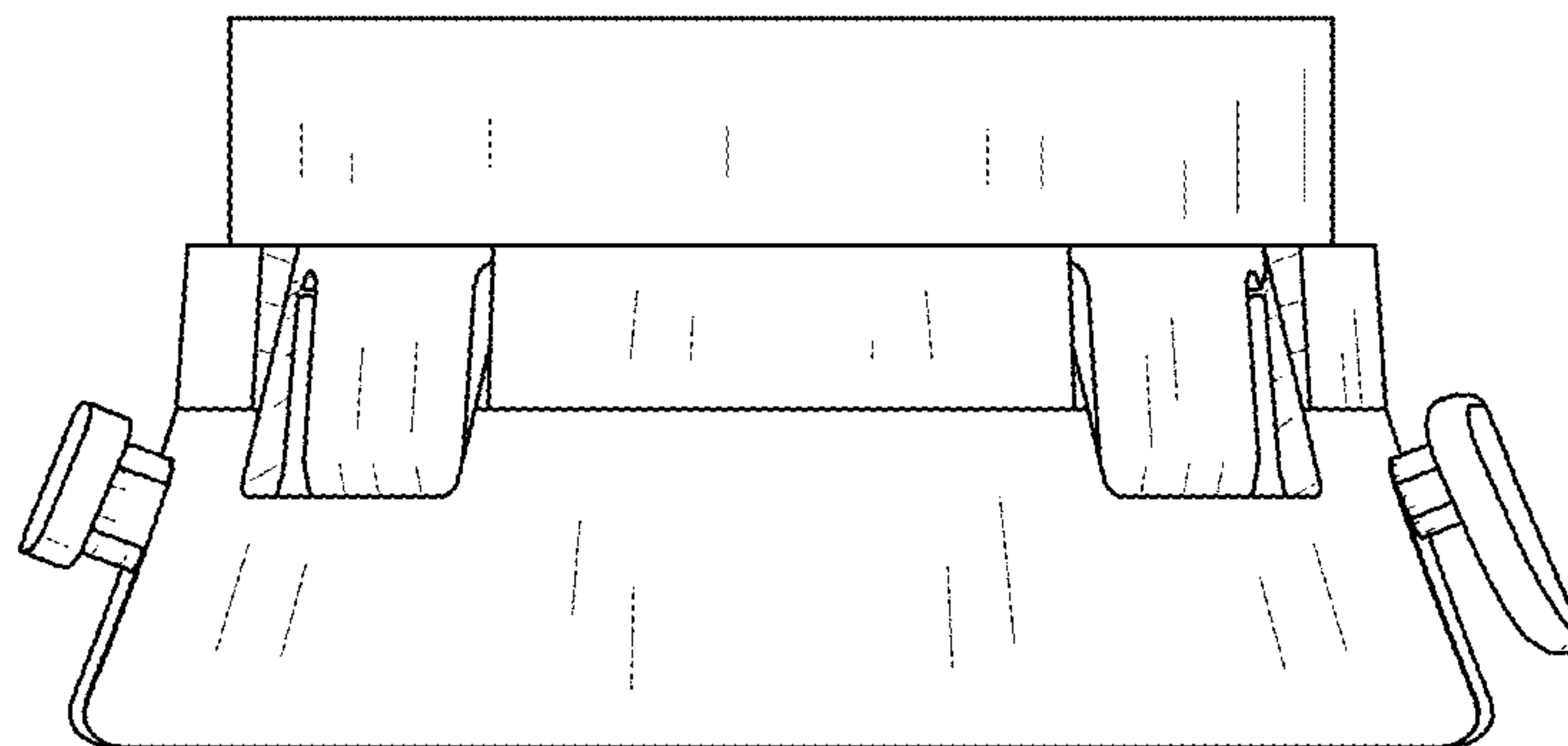


FIG. 4

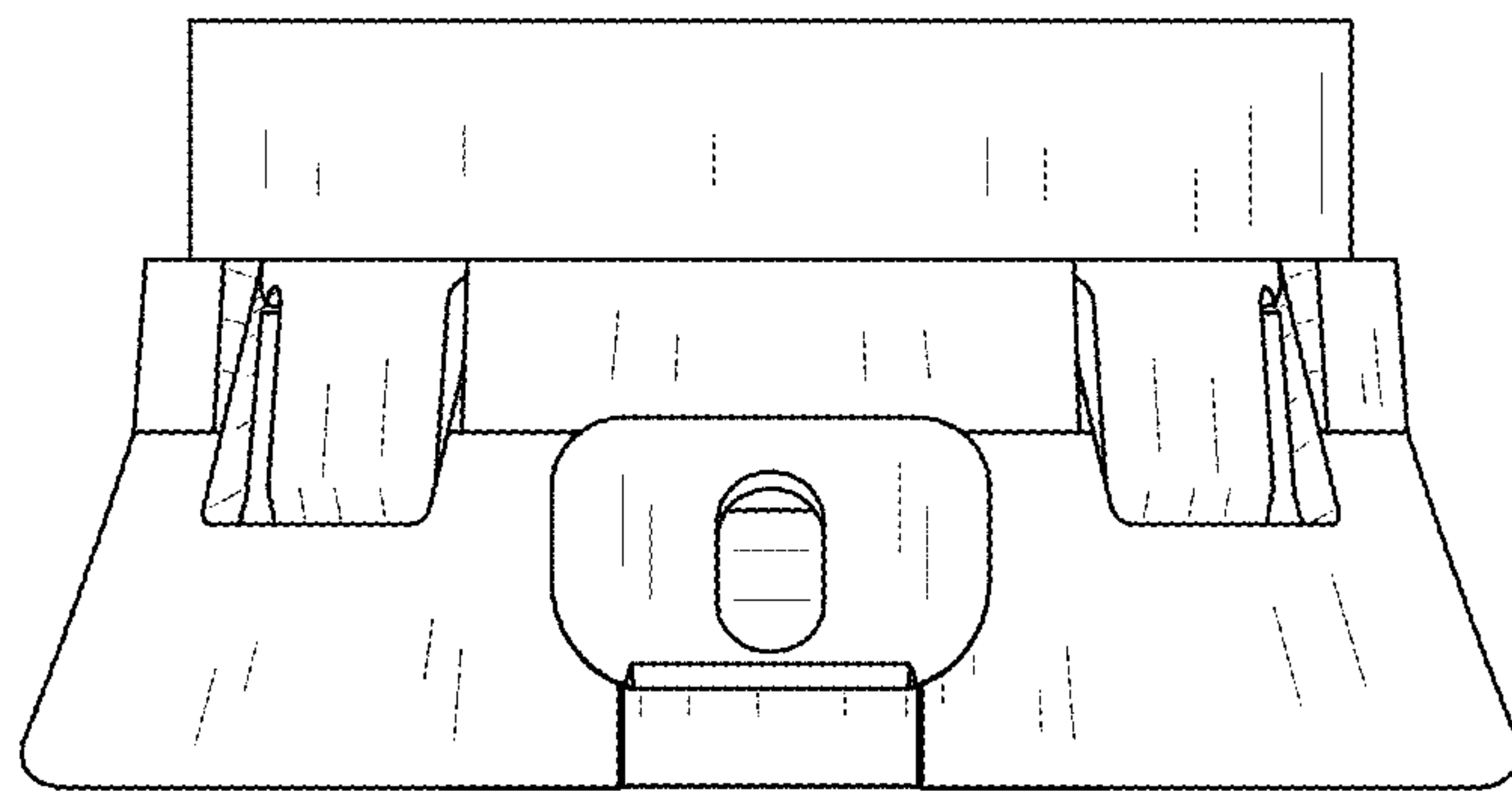


FIG. 5

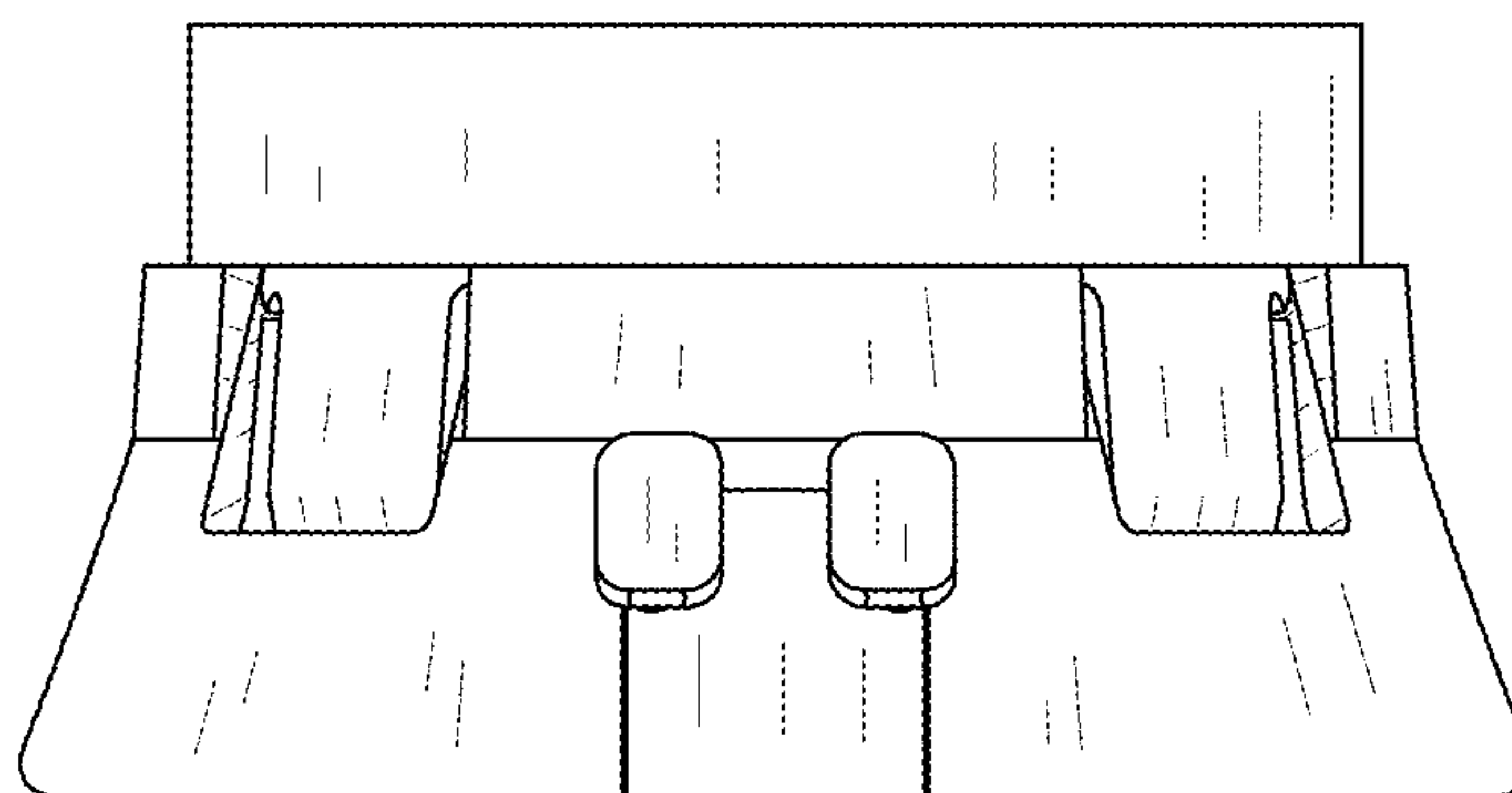


FIG. 6

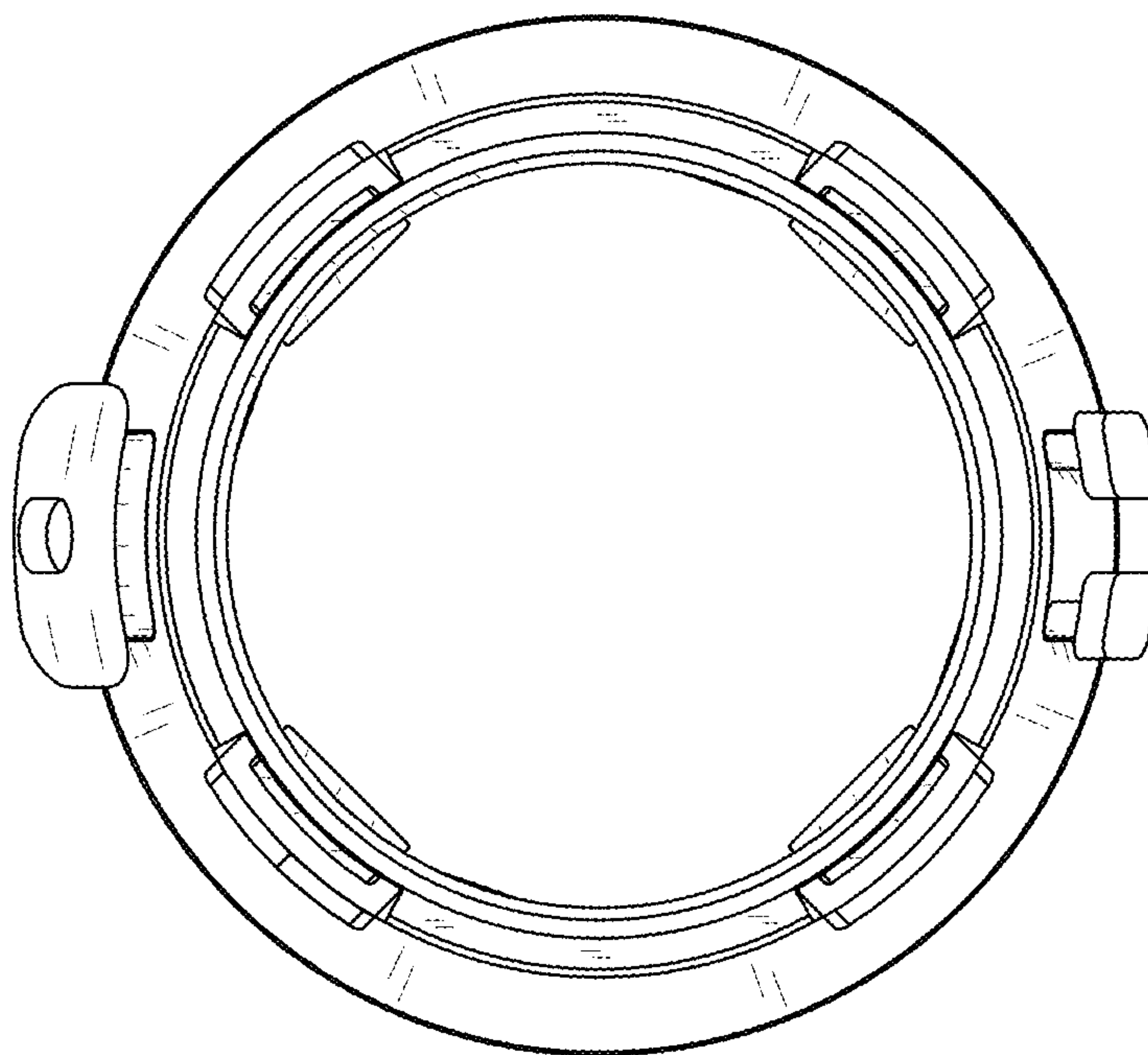


FIG. 7

