

US00D831194S

(12) **United States Design Patent**
Petersen

(10) **Patent No.:** **US D831,194 S**

(45) **Date of Patent:** **** Oct. 16, 2018**

(54) **SYRINGE PUMP HOUSING**

(71) Applicant: **CSL Behring Recombinant Facility AG, Bern (CH)**

(72) Inventor: **Carsten Petersen, Hoejbjerg (DK)**

(73) Assignees: **CSL BEHRING RECOMBINANT FACILITY AG, Bern (CH);
MEDICOM INNOVATION PARTNER a/s, Struer (DK)**

(**) Term: **15 Years**

(21) Appl. No.: **29/562,962**

(22) Filed: **Apr. 29, 2016**

(51) **LOC (11) Cl.** **24-02**

(52) **U.S. Cl.**
USPC **D24/111**

(58) **Field of Classification Search**
USPC D24/107, 108, 111, 169, 185, 188
CPC A61M 5/142; A61M 2005/14208; A61M 5/14212; A61M 5/14228; A61M 5/14232; A61M 5/145; A61M 5/1456; A61M 5/14566; A61M 5/1458; A61M 5/1452; A61M 2205/505; A61M 5/14244; A61M 5/1723; A61M 2205/52; G06F 19/3468
See application file for complete search history.

(56) **References Cited**

U.S. PATENT DOCUMENTS

D265,243 S *	6/1982	Manno	D24/111
4,493,704 A *	1/1985	Beard	A61M 5/1452 604/154
4,529,401 A *	7/1985	Leslie	A61M 5/1456 128/DIG. 1
4,648,872 A *	3/1987	Kamen	A61M 5/1456 128/DIG. 12
4,978,335 A *	12/1990	Arthur, III	A61M 5/1456 128/DIG. 1
D325,255 S *	4/1992	Busche	D24/108

D325,781 S *	4/1992	Moller-Jensen	D24/169
D326,152 S *	5/1992	Rutter	D24/111
D326,153 S *	5/1992	Eastman	D24/111
D326,320 S *	5/1992	Rutter	D24/111
D351,469 S *	10/1994	Okamoto	D24/169
5,505,709 A *	4/1996	Funderburk	A61M 5/1456 604/151
5,637,095 A *	6/1997	Nason	A61M 5/14244 604/135
5,954,697 A *	9/1999	Srisathapat	A61M 5/1456 604/154
6,302,855 B1 *	10/2001	Lav	A61B 5/14532 600/584
D461,241 S *	8/2002	Moberg	D24/111

(Continued)

Primary Examiner — Karen E Kearney
Assistant Examiner — Lilyana Bekic
(74) *Attorney, Agent, or Firm* — Finnegan, Henderson, Farabow, Garrett & Dunner LLP

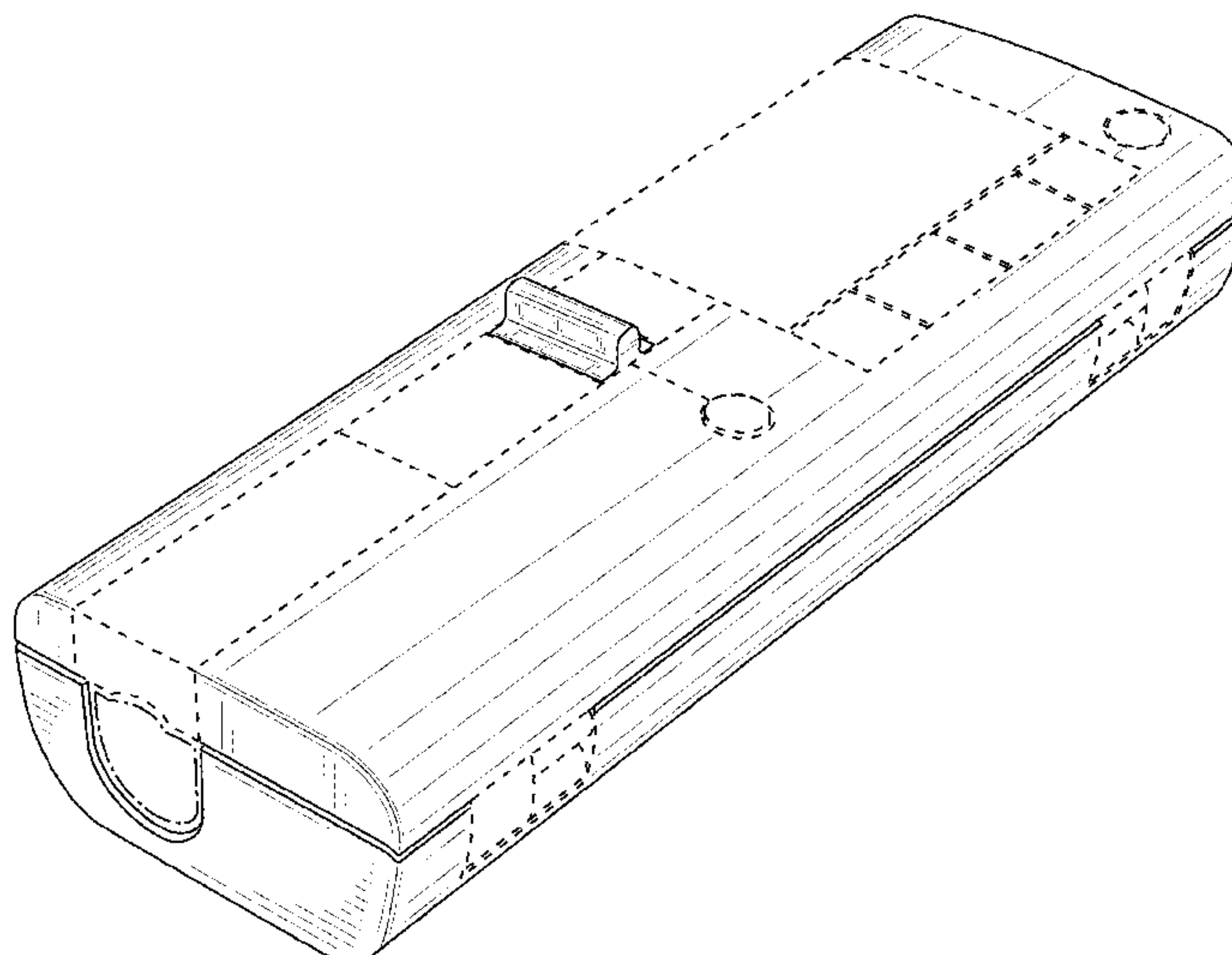
(57) **CLAIM**

The ornamental design for a syringe pump housing, as shown and described.

DESCRIPTION

FIG. 1 is a front bottom right perspective view of a syringe pump housing showing my new design; FIG. 2 is a front elevation view thereof; FIG. 3 is a rear elevation view thereof; FIG. 4 is a top plan view thereof; FIG. 5 is a bottom plan view thereof; FIG. 6 is a left side view thereof; and, FIG. 7 is a right side view thereof. The broken lines of even length shown in the drawings illustrate portions of the syringe pump housing that form no part of the claimed design. The broken lines of uneven length shown in the drawings illustrate the boundary of the claimed design, and form no part of the claimed design.

1 Claim, 5 Drawing Sheets



(56)

References Cited

U.S. PATENT DOCUMENTS

D461,891	S *	8/2002	Moberg	D24/111
D506,007	S *	6/2005	Best	D24/169
D669,165	S *	10/2012	Estes	D24/111
D669,167	S *	10/2012	Estes	D24/111
8,454,562	B1 *	6/2013	Sims	A61M 5/14244 604/151
D689,523	S *	9/2013	Galbraith	D15/7
D691,258	S *	10/2013	Estes	D24/111
D691,259	S *	10/2013	Estes	D24/111
9,427,523	B2 *	8/2016	Qi		
D791,306	S *	7/2017	Clemente	D24/111
9,833,569	B2 *	12/2017	Gray	A61M 5/14244
D809,134	S *	1/2018	Crothall	D24/111
9,861,740	B2 *	1/2018	Adams	A61M 5/1452
9,878,095	B2 *	1/2018	Alderete, Jr.	A61M 5/16831
9,956,339	B2 *	5/2018	Smith	A61M 5/14244
9,962,482	B2 *	5/2018	Patel	A61M 5/1413
2001/0034502	A1 *	10/2001	Moberg	A61M 5/1456 604/154
2008/0306449	A1 *	12/2008	Kristensen	A61M 5/20 604/192
2011/0040247	A1 *	2/2011	Mandro	A61M 5/142 604/66
2018/0117253	A1 *	5/2018	Salahshoor Kordestani	A61M 5/30

* cited by examiner

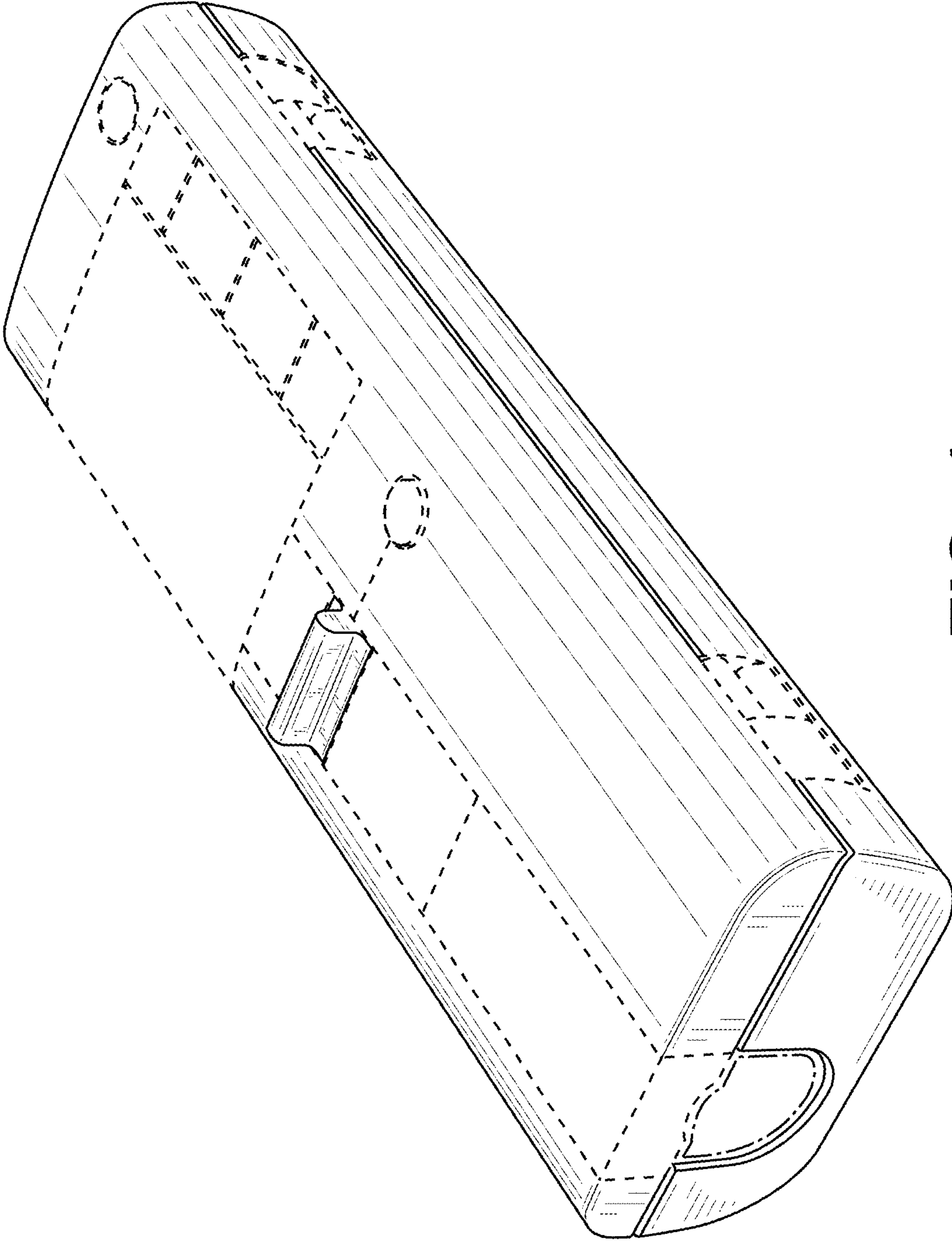


FIG. 1

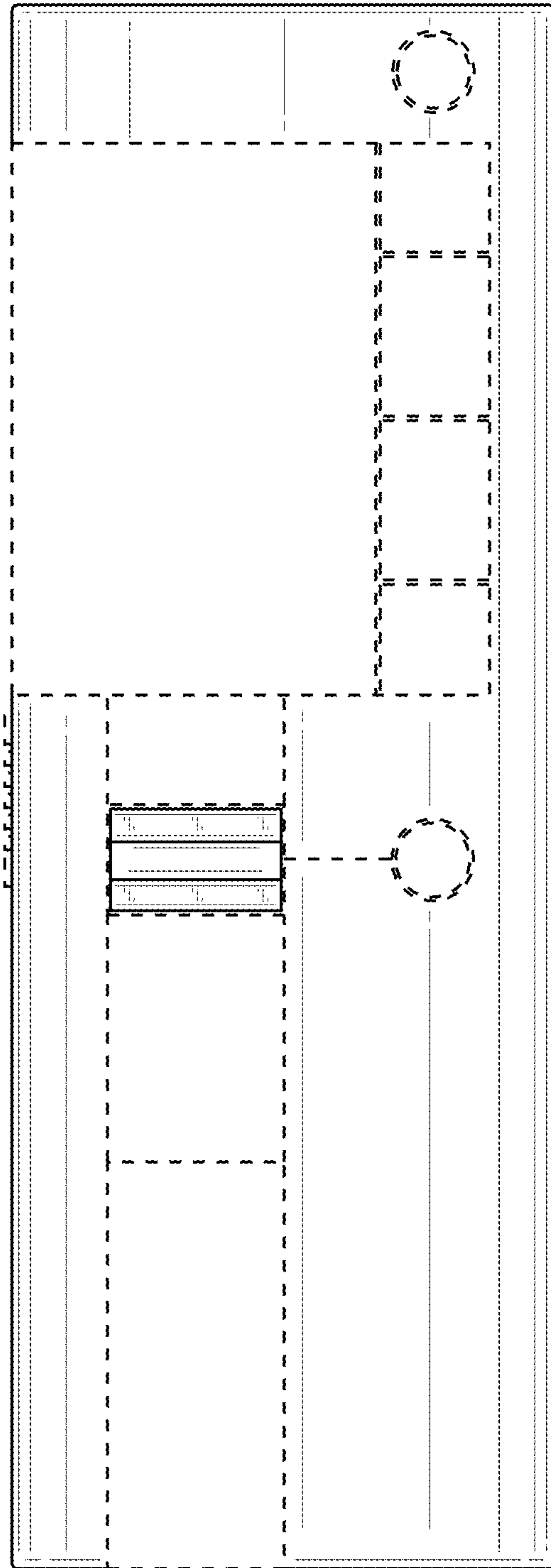


FIG. 2

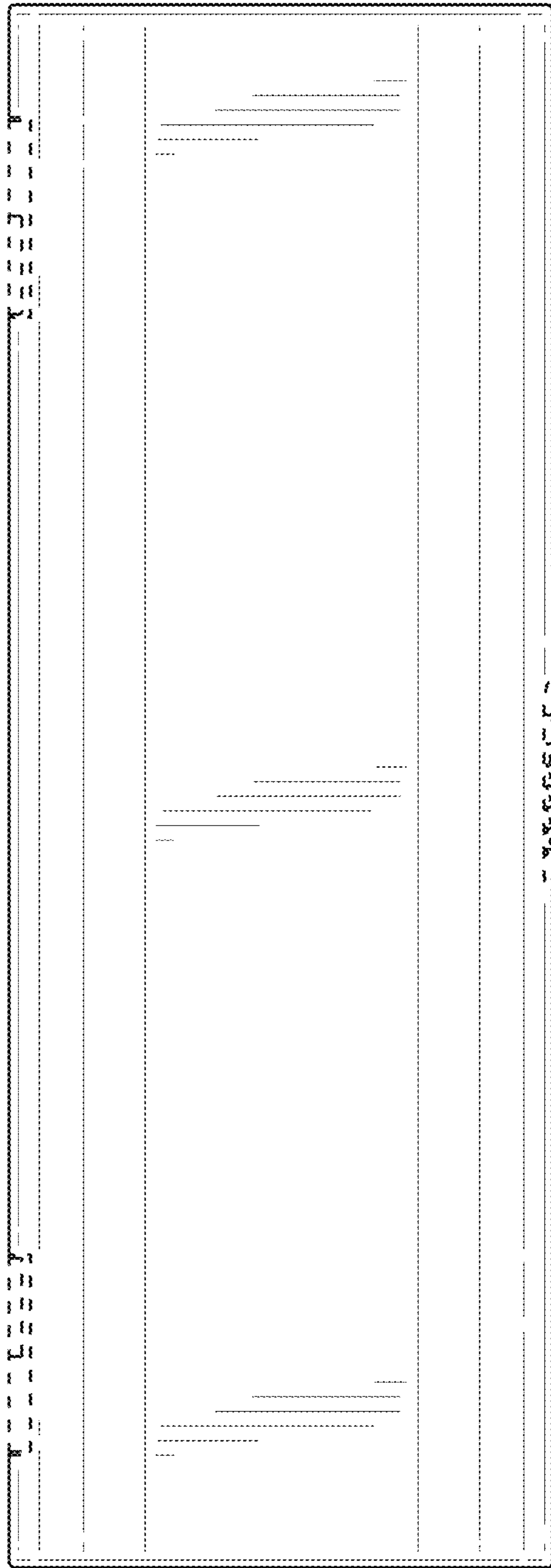


FIG. 3

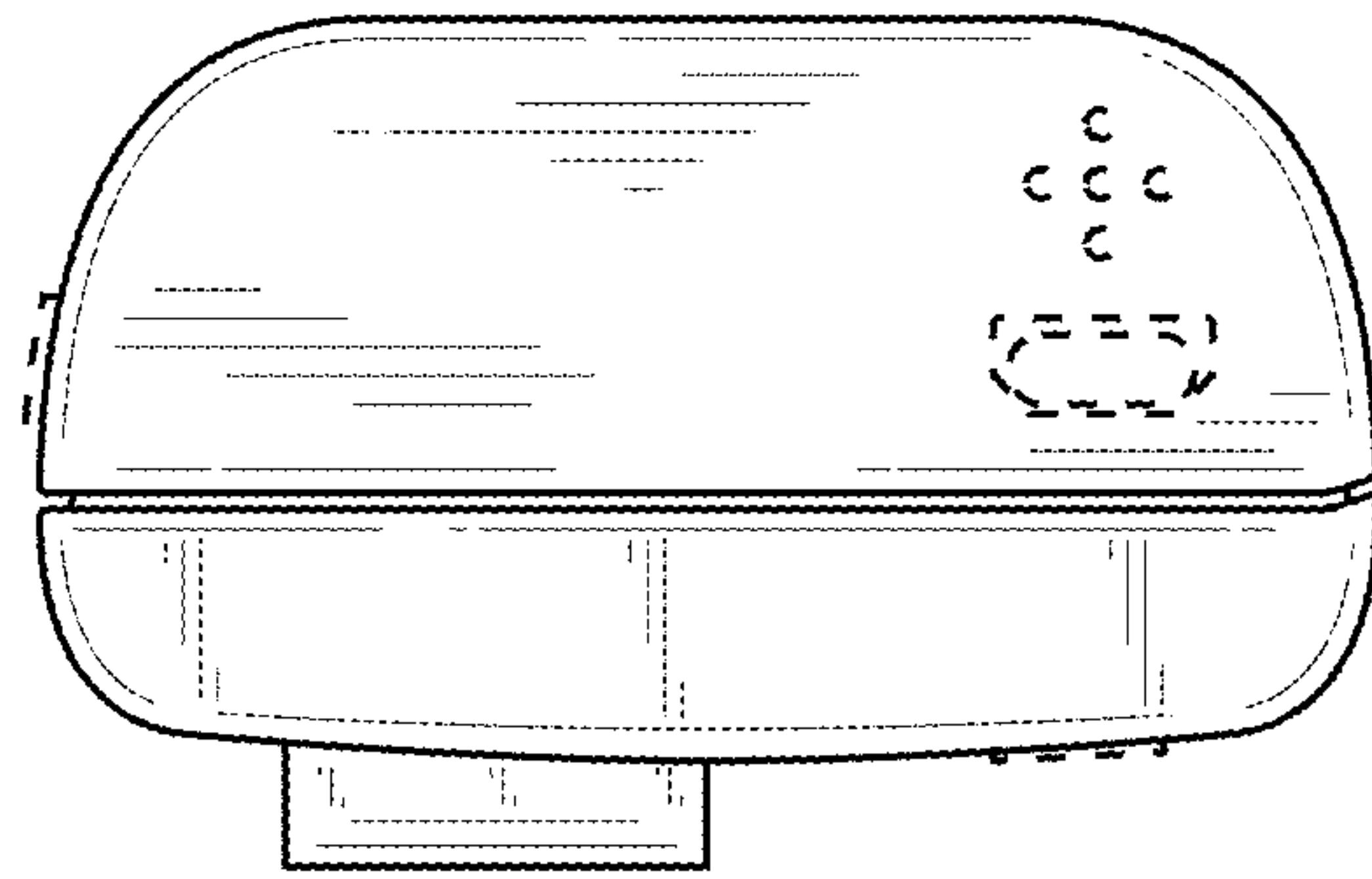


FIG. 4

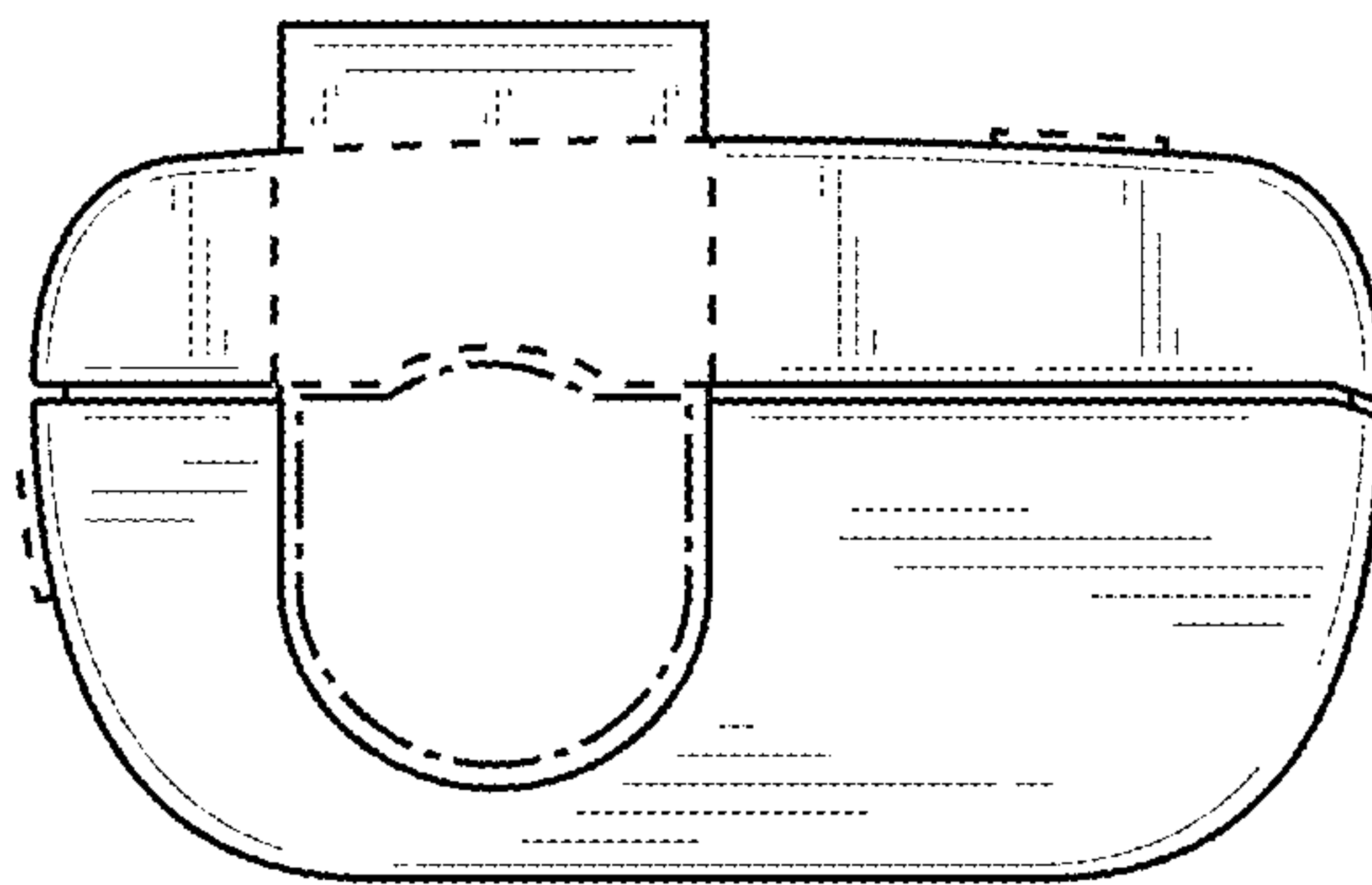


FIG. 5

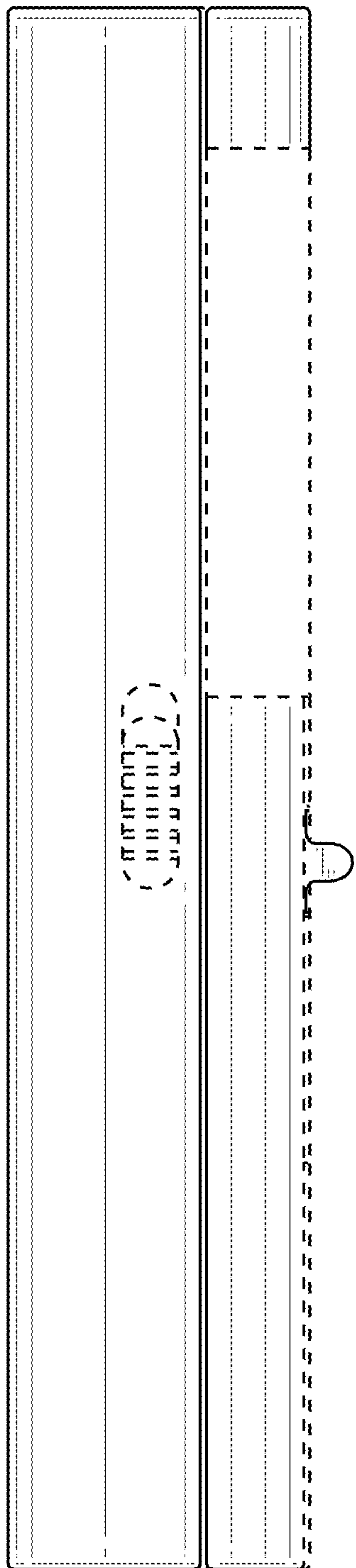


FIG. 6

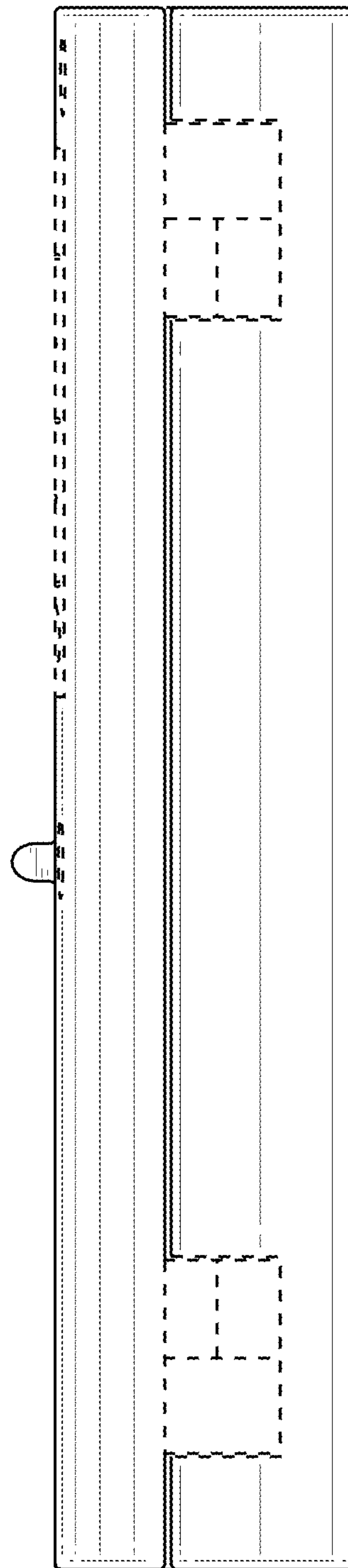


FIG. 7