



US00D831191S

(12) **United States Design Patent**
Hubanks et al.

(10) **Patent No.:** **US D831,191 S**

(45) **Date of Patent:** **** Oct. 16, 2018**

- (54) **USAGE MONITORING ATTACHMENT FOR AN INHALER**
- (71) Applicant: **Reciprocal Labs Corporation**,
Madison, WI (US)
- (72) Inventors: **David Hubanks**, Madison, WI (US);
Samuel A. Koblenki, Madison, WI (US);
Benjamin J. Kopp, Madison, WI (US);
Justin Conrad Krosschell, Sun Prairie, WI (US);
Amber Michelle Markey, Madison, WI (US);
Leah J. Morrell, Madison, WI (US);
Gregory F. Tracy, Madison, WI (US);
John David Van Sickle, Oregon, WI (US)

D439,534	S *	3/2001	Scarrott	D10/96
8,215,299	B2 *	7/2012	Wu	A61M 15/008 116/307
8,517,019	B2 *	8/2013	Brewer	A61M 15/0065 128/200.23
D710,196	S *	8/2014	Ivosevic	D9/445
9,202,164	B2 *	12/2015	Sieffert	A61M 15/009
D757,926	S *	5/2016	Van Sickle	D24/110
9,381,313	B2 *	7/2016	Bari	A61M 15/009
D771,800	S *	11/2016	Engelhard	D24/110
D798,438	S *	9/2017	Engelhard	D24/110
2006/0254581	A1 *	11/2006	Genova	A61M 15/0065 128/200.23
2007/0295329	A1 *	12/2007	Lieberman	A61M 15/009 128/200.23

(Continued)

Primary Examiner — Eric L Goodman

Assistant Examiner — Lilyana Bekic

(74) *Attorney, Agent, or Firm* — Fenwick & West LLP

- (73) Assignee: **Reciprocal Labs Corporation**,
Madison, WI (US)

(**) Term: **15 Years**

(21) Appl. No.: **29/615,451**

(22) Filed: **Aug. 29, 2017**

(51) **LOC (11) Cl.** **29-02**

(52) **U.S. Cl.**
USPC **D24/110; D24/127**

(58) **Field of Classification Search**
USPC D24/107, 108, 110, 127, 129, 164
CPC A61M 15/008; A61M 15/0065; A61M
15/0068; A61M 15/00; A61M 15/0071;
A61M 11/00
See application file for complete search history.

(56) **References Cited**

U.S. PATENT DOCUMENTS

5,505,192	A *	4/1996	Samiotes	A61M 15/009 128/200.14
6,082,358	A *	7/2000	Scarrott	A61M 15/0065 128/200.14

(57) **CLAIM**

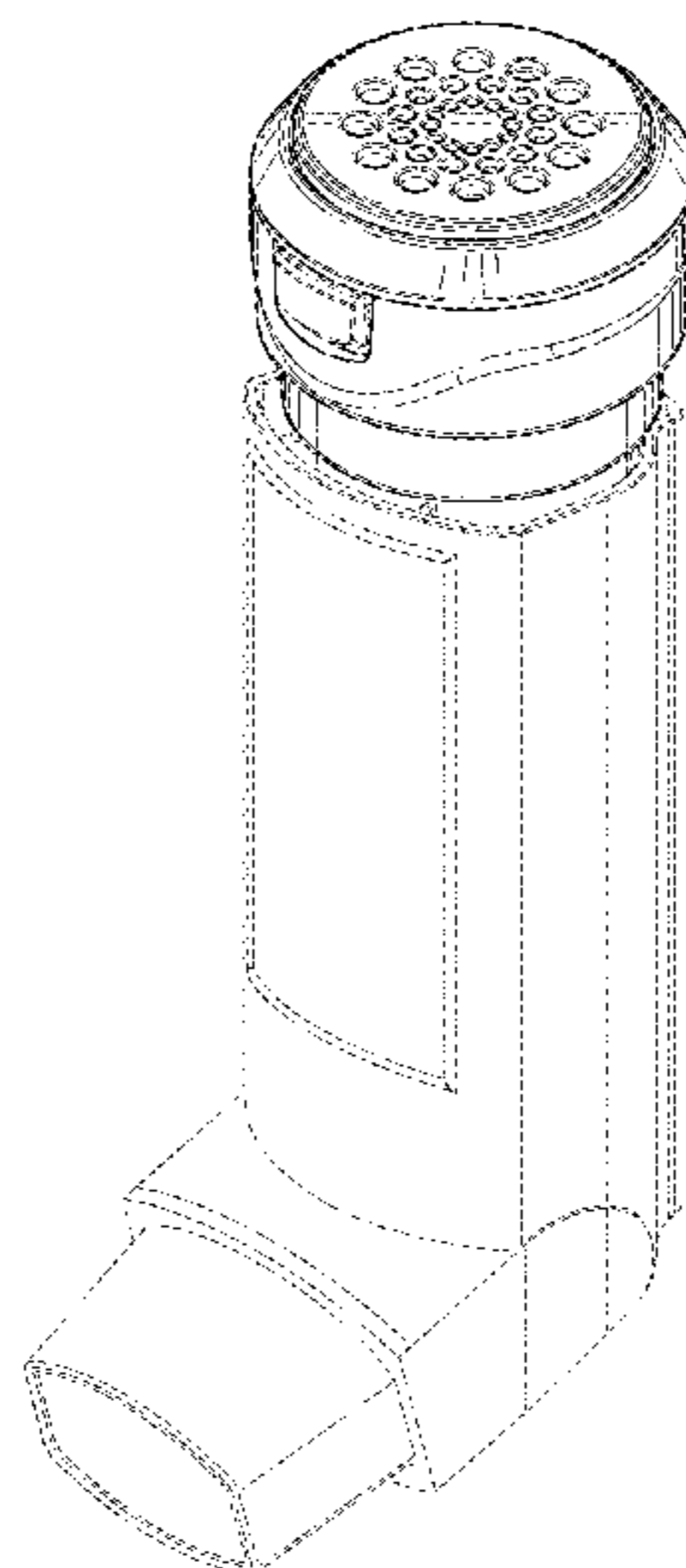
The ornamental design for a usage monitoring attachment for an inhaler, as shown and described.

DESCRIPTION

FIG. 1 is a front, top, and right side perspective view of a usage monitoring attachment for an inhaler;
FIG. 2 is a rear, bottom, and left side perspective view thereof;
FIG. 3 is a front view thereof;
FIG. 4 is a rear view thereof;
FIG. 5 is a left side view thereof;
FIG. 6 is a right side view thereof;
FIG. 7 is a top view thereof; and,
FIG. 8 is a bottom view thereof.

The broken line showing of the inhaler depicts environmental structure and forms no part of the claimed design. All other broken lines depict portions of the usage monitoring attachment for an inhaler that form no part of the claimed design.

1 Claim, 8 Drawing Sheets



(56)

References Cited

U.S. PATENT DOCUMENTS

2010/0163031 A1* 7/2010 Morton A61M 15/0065
128/203.12
2011/0226237 A1* 9/2011 Morrison A61M 15/009
128/200.23
2011/0265788 A1* 11/2011 Wu A61M 15/009
128/200.23
2012/0012106 A1* 1/2012 Bari A61M 15/009
128/200.23
2015/0100276 A1* 4/2015 Huang A61M 15/008
702/187
2016/0038695 A1* 2/2016 Yu B65D 25/54
206/459.1

* cited by examiner

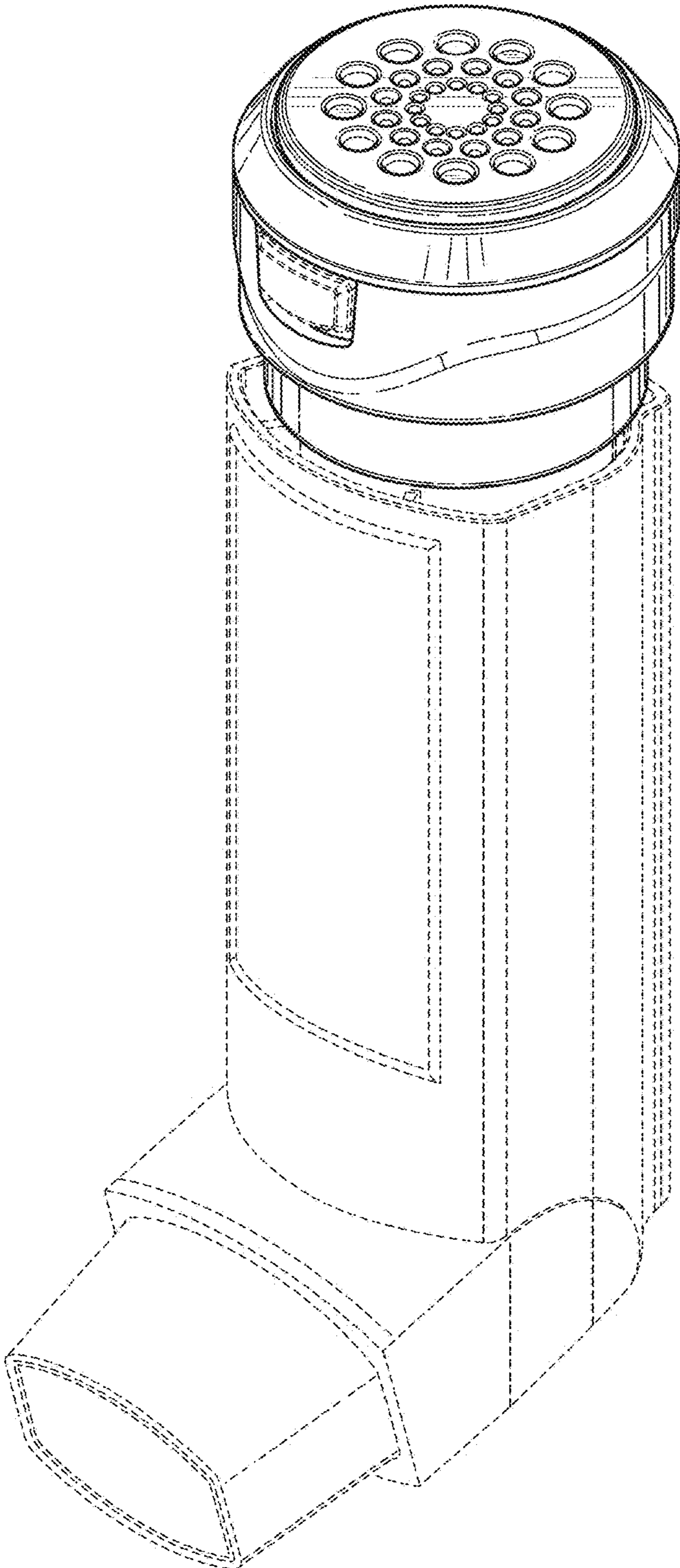


FIG. 1

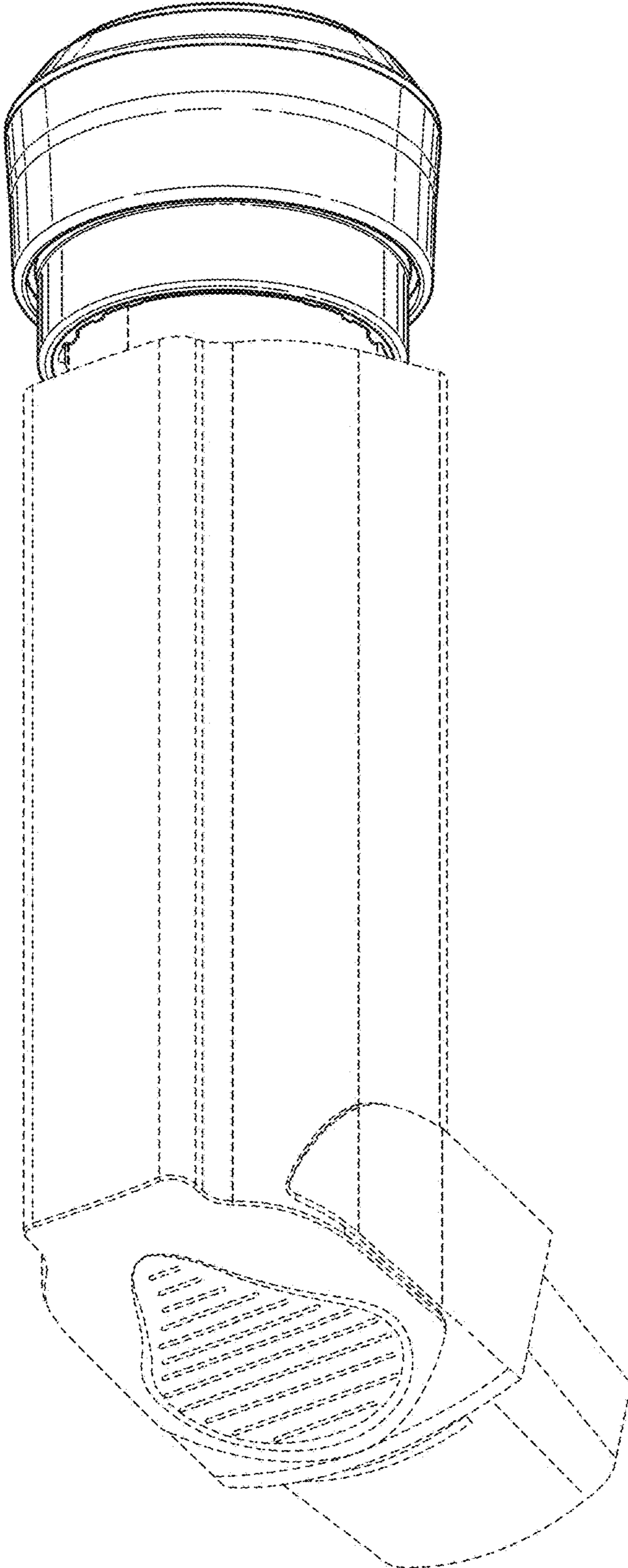


FIG. 2

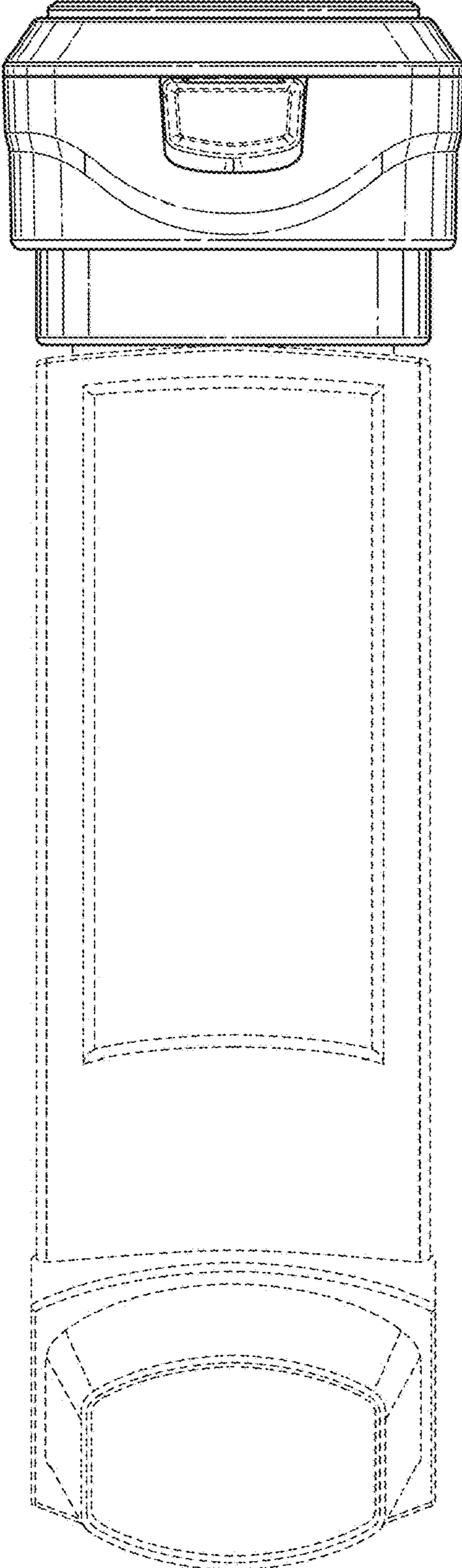


FIG. 3

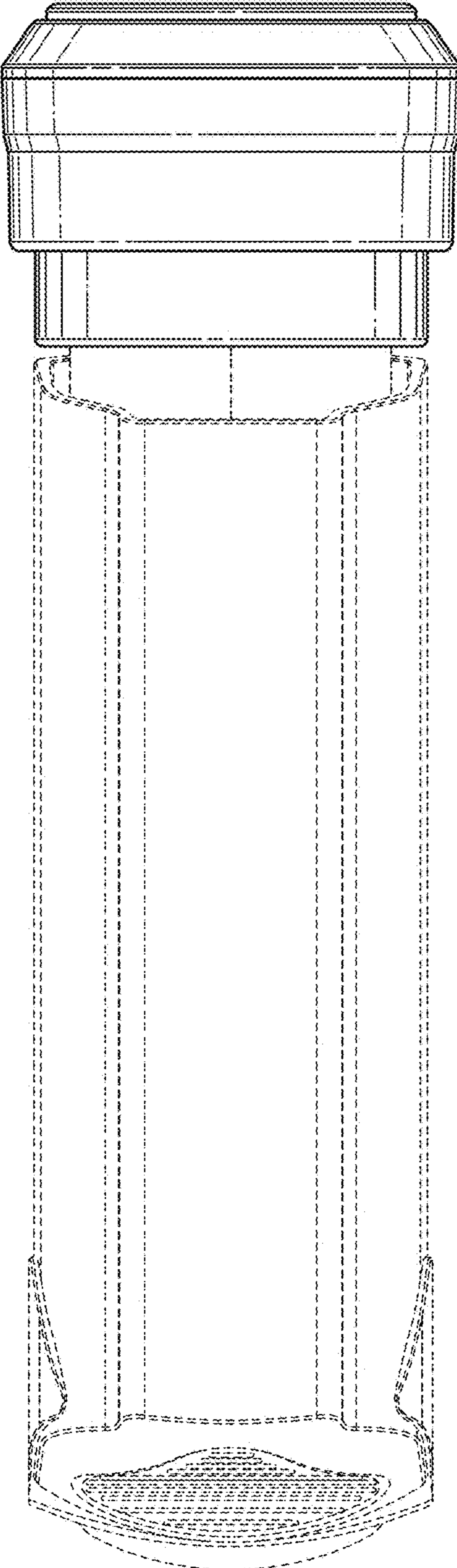


FIG. 4

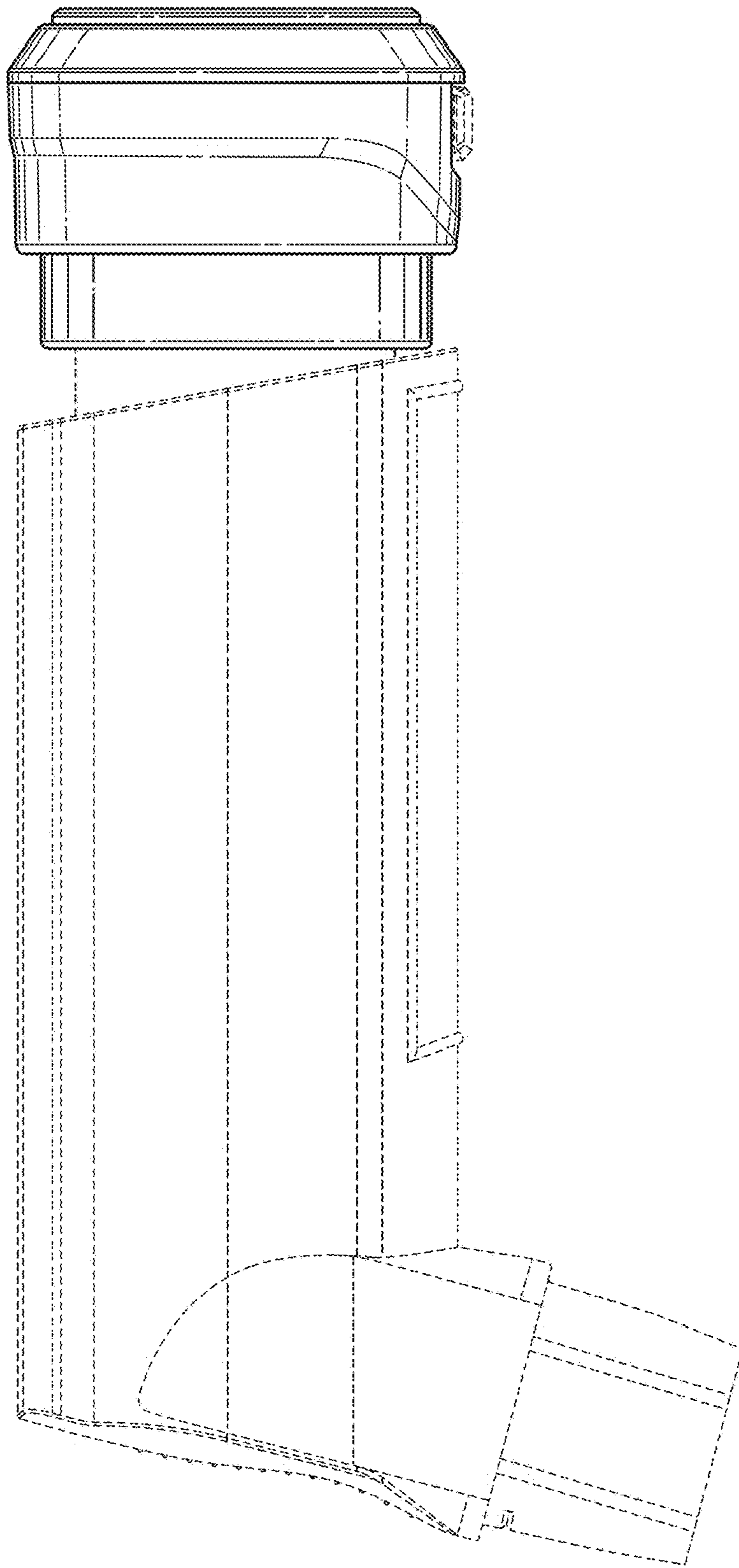


FIG. 5

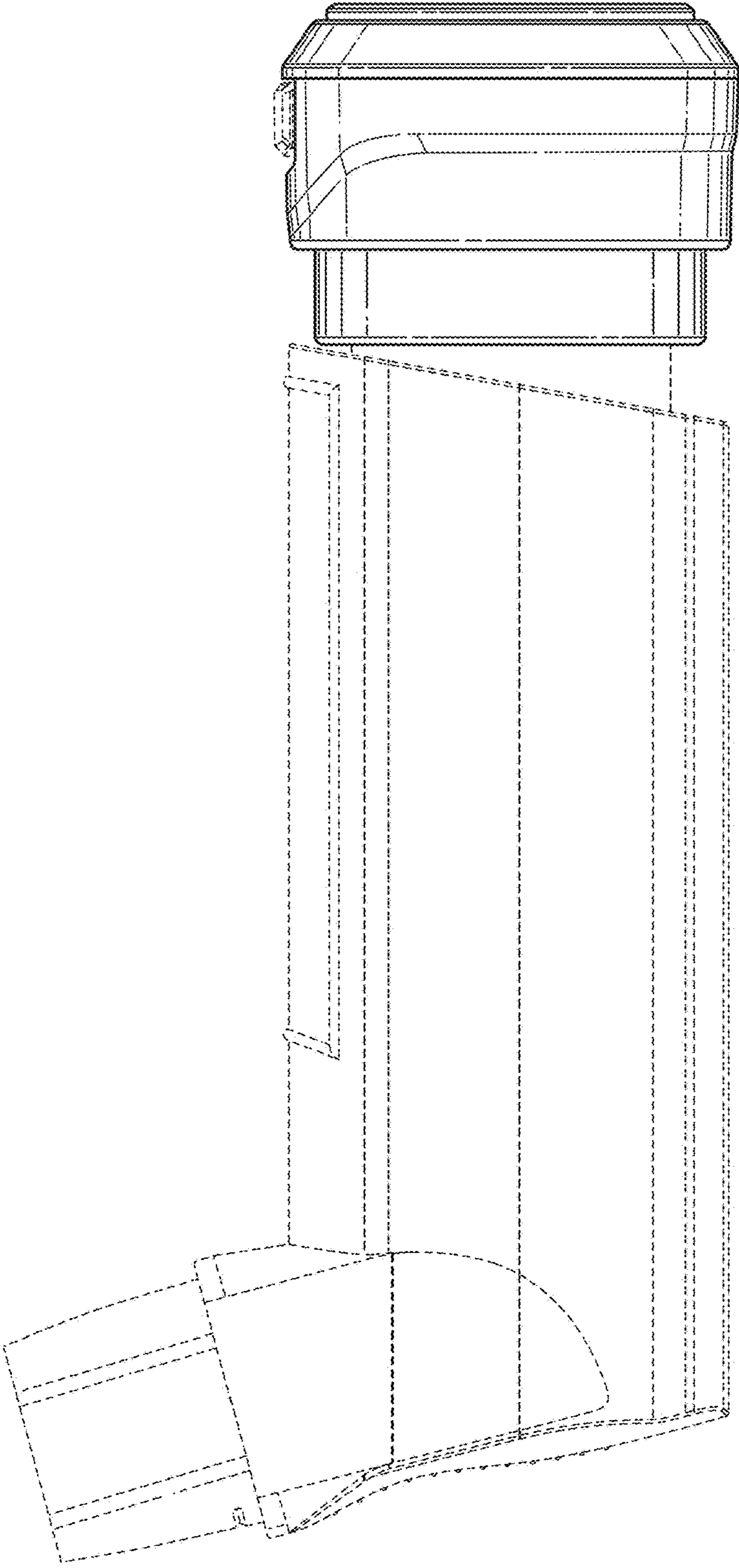


FIG. 6

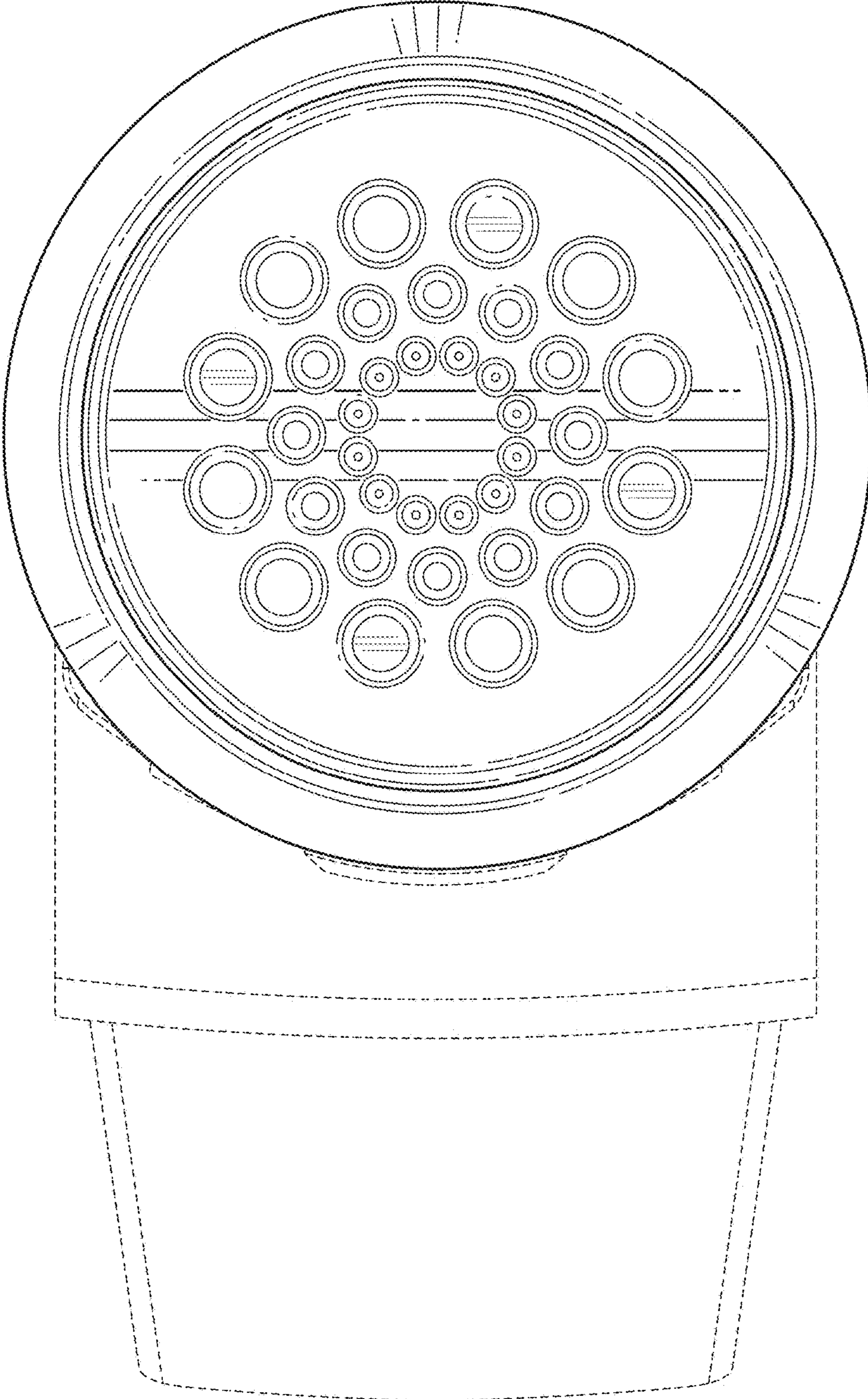


FIG. 7

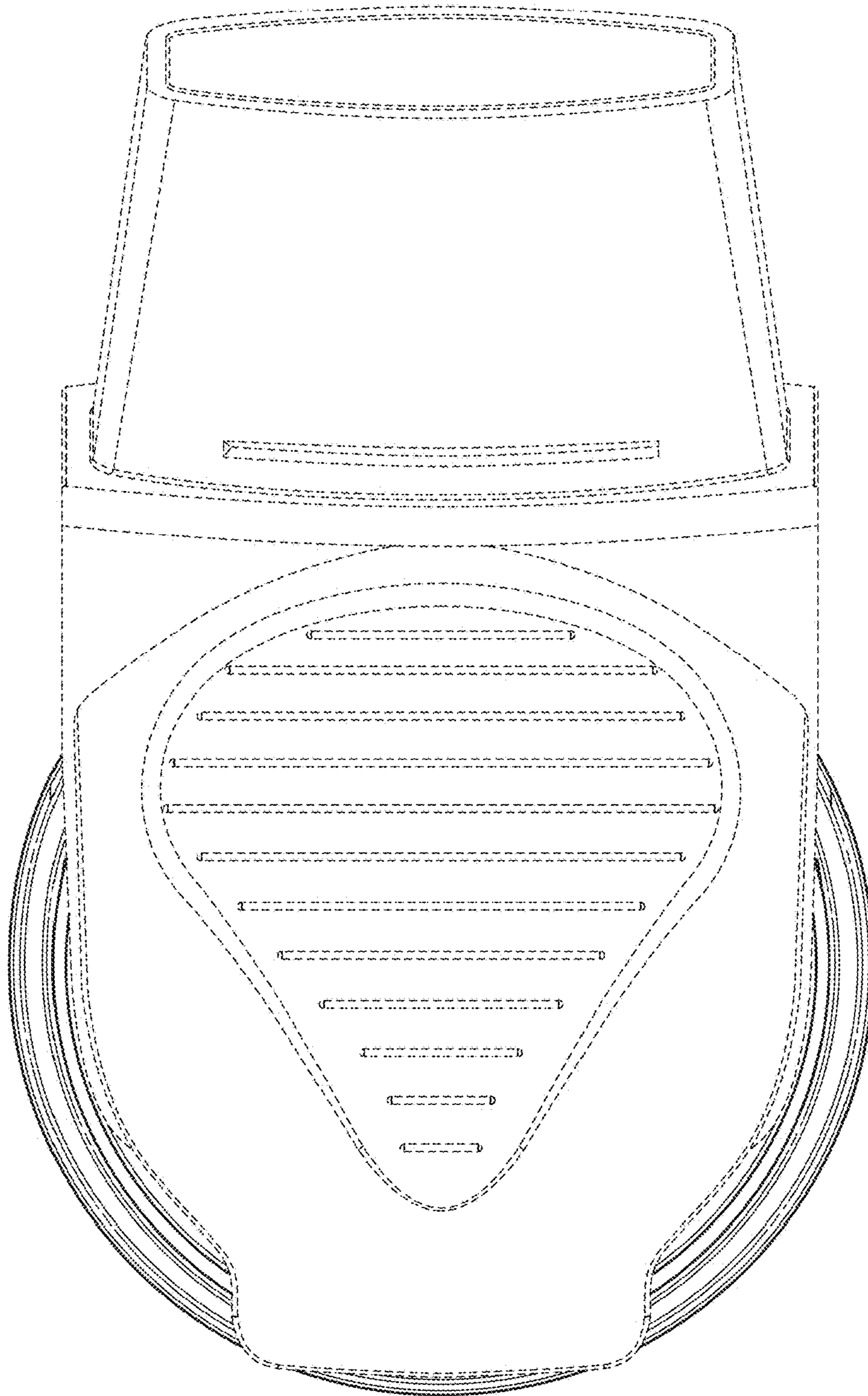


FIG. 8