



US00D831190S

(12) **United States Design Patent**
Von Schuckmann

(10) **Patent No.:** **US D831,190 S**
(45) **Date of Patent:** **** Oct. 16, 2018**

(54) **INHALER**

(71) Applicant: **Alfred Von Schuckmann**, Kevelaer (DE)

(72) Inventor: **Alfred Von Schuckmann**, Kevelaer (DE)

(**) Term: **15 Years**

(21) Appl. No.: **29/602,984**

(22) Filed: **May 5, 2017**

(30) **Foreign Application Priority Data**

Nov. 8, 2016 (EM) 001454136

(51) **LOC (11) Cl.** **29-02**

(52) **U.S. Cl.**
USPC **D24/110**

(58) **Field of Classification Search**
USPC ... D24/108, 110, 110.1, 110.4, 110.5, 110.6,
D24/129, 164
CPC A61M 2202/064; A61M 15/0025; A61M
15/00; A61M 15/0065; A61M 15/0026;
A61M 11/00
See application file for complete search history.

(56) **References Cited**

U.S. PATENT DOCUMENTS

D355,029 S *	1/1995	Kinneir	D24/110
7,084,153 B2 *	8/2006	Banholzer	A61K 9/0075 514/169
D683,844 S *	6/2013	Andrade	D24/110
D710,002 S *	7/2014	Valentine	D24/110
D733,288 S *	6/2015	Althorpe	D24/110
D739,522 S *	9/2015	Von Schuckmann	D24/110
D744,087 S *	11/2015	Bilgic	D24/110
D789,517 S *	6/2017	Bhide	D24/110
D793,546 S *	8/2017	Ahern	D24/110
2008/0135047 A1 *	6/2008	Johnson	A61M 15/0028 128/203.15

2010/0275917 A1 *	11/2010	Kuhn	A61M 15/0028 128/203.15
2013/0152927 A1 *	6/2013	Baillet	A61M 15/0028 128/203.15
2013/0186398 A1 *	7/2013	Baillet	A61M 15/0028 128/203.15
2014/0318538 A1 *	10/2014	Bilgic	A61M 15/0028 128/203.15
2015/0114393 A1 *	4/2015	Von Schuckmann	A61M 15/0045 15/45
2016/0022931 A1 *	1/2016	Althorpe	A61M 15/0028 128/203.12
2016/0375207 A1 *	12/2016	Bhide	A61M 15/0026 128/203.15
2017/0056608 A1 *	3/2017	McDerment	A61M 15/0028

* cited by examiner

Primary Examiner — Eric L Goodman

Assistant Examiner — Lilyana Bekic

(74) *Attorney, Agent, or Firm* — Collard & Roe, P.C.

(57) **CLAIM**

The ornamental design for an inhaler, as shown and described.

DESCRIPTION

FIG. 1 is a left side view of an inhaler, showing my new design;
FIG. 2 is a rear view thereof;
FIG. 3 is a right side view thereof;
FIG. 4 is a front view thereof;
FIG. 5 is a top view thereof;
FIG. 6 is a bottom view thereof;
FIG. 7 is a top, left side and rear perspective view thereof;
and,
FIG. 8 is a partial cross-sectional view taken in the direction of line 8-8 of FIG. 1.
The broken lines in the drawings depict portions of the inhaler that form no part of the claimed design.

1 Claim, 5 Drawing Sheets

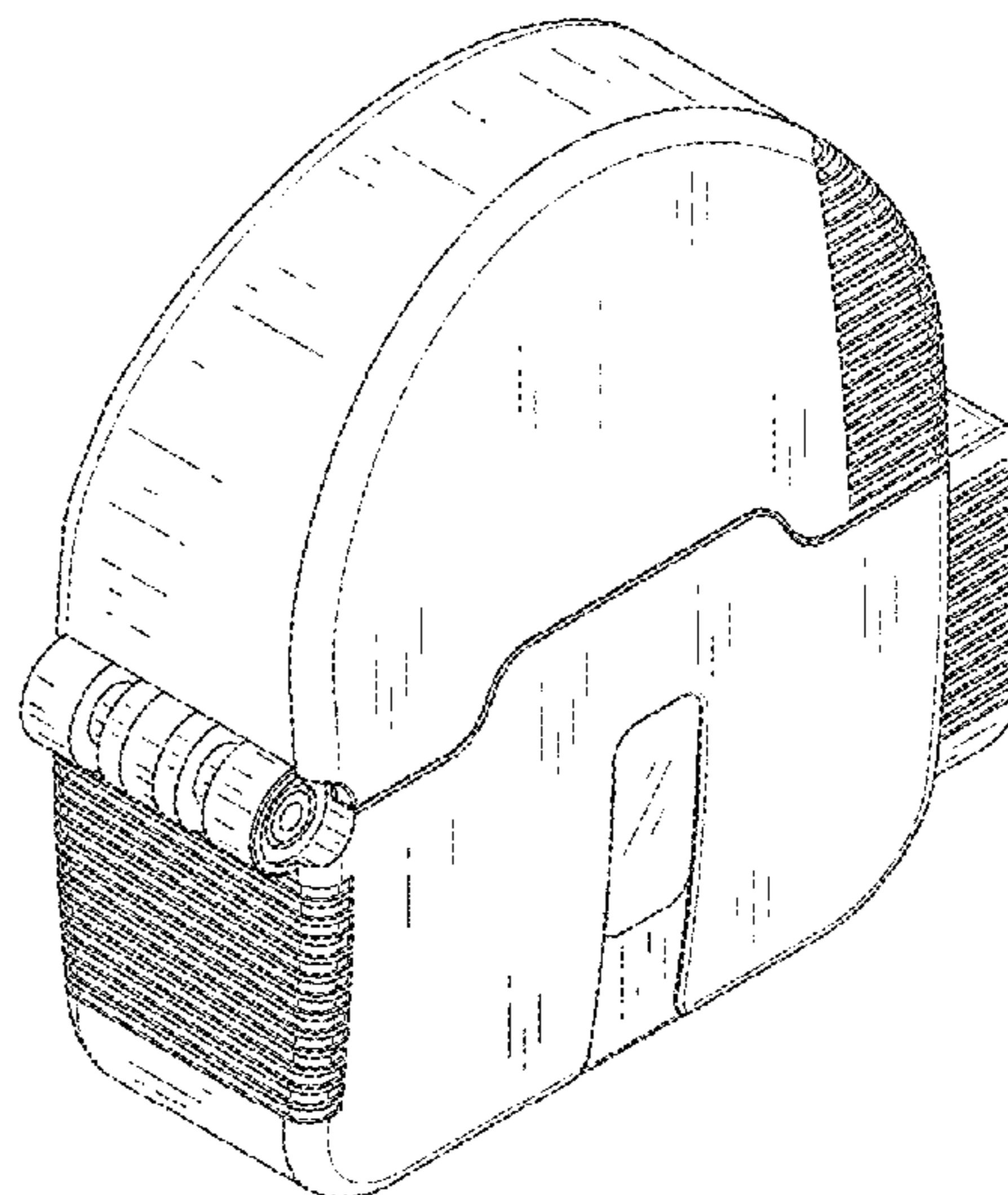
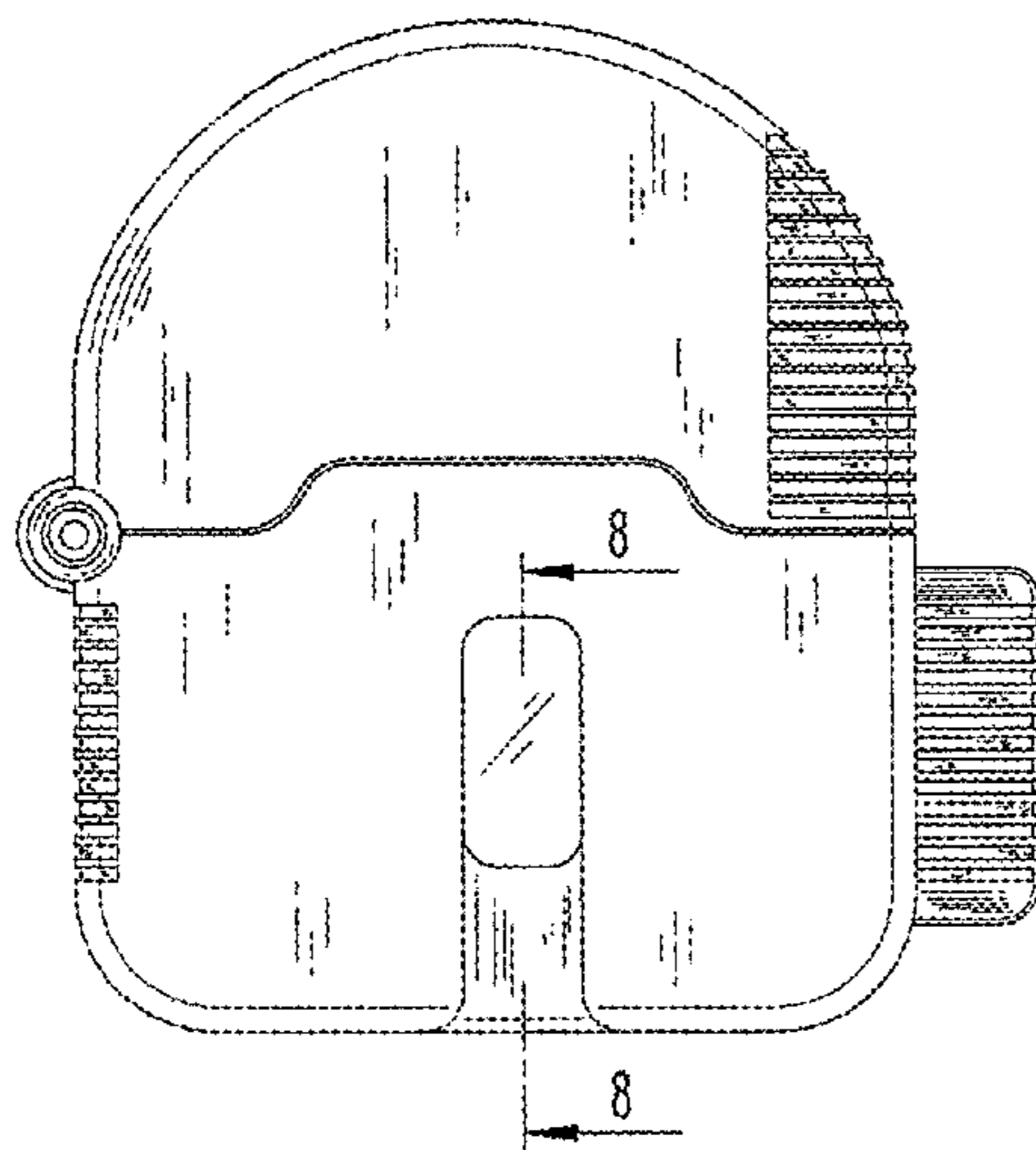


Fig. 1

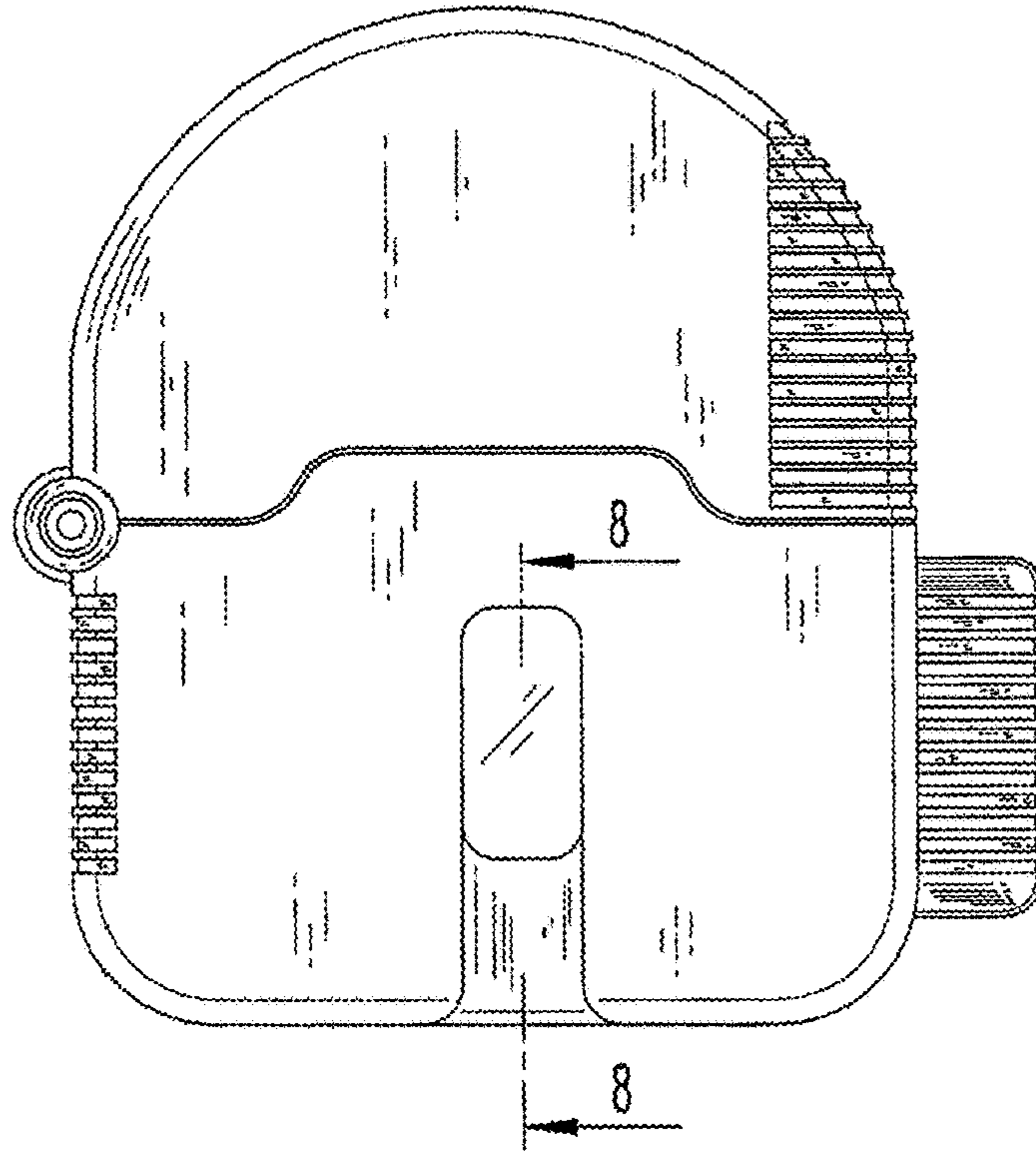


Fig. 2

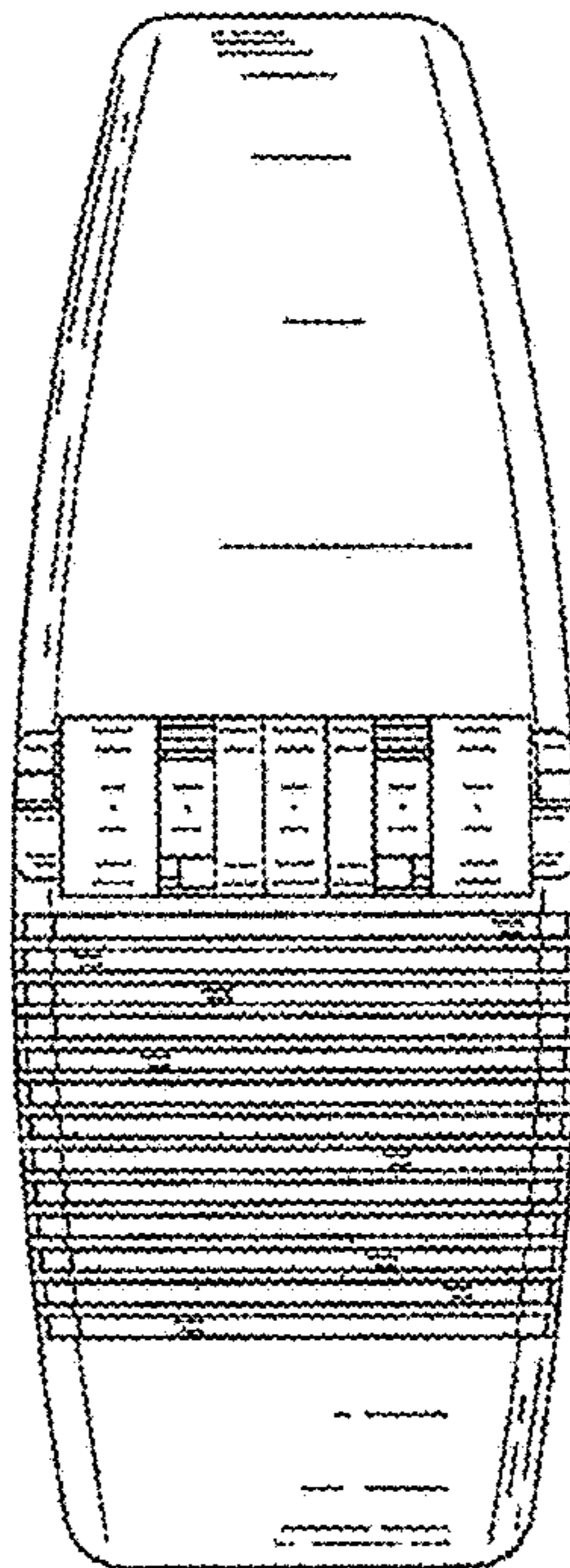


Fig. 3

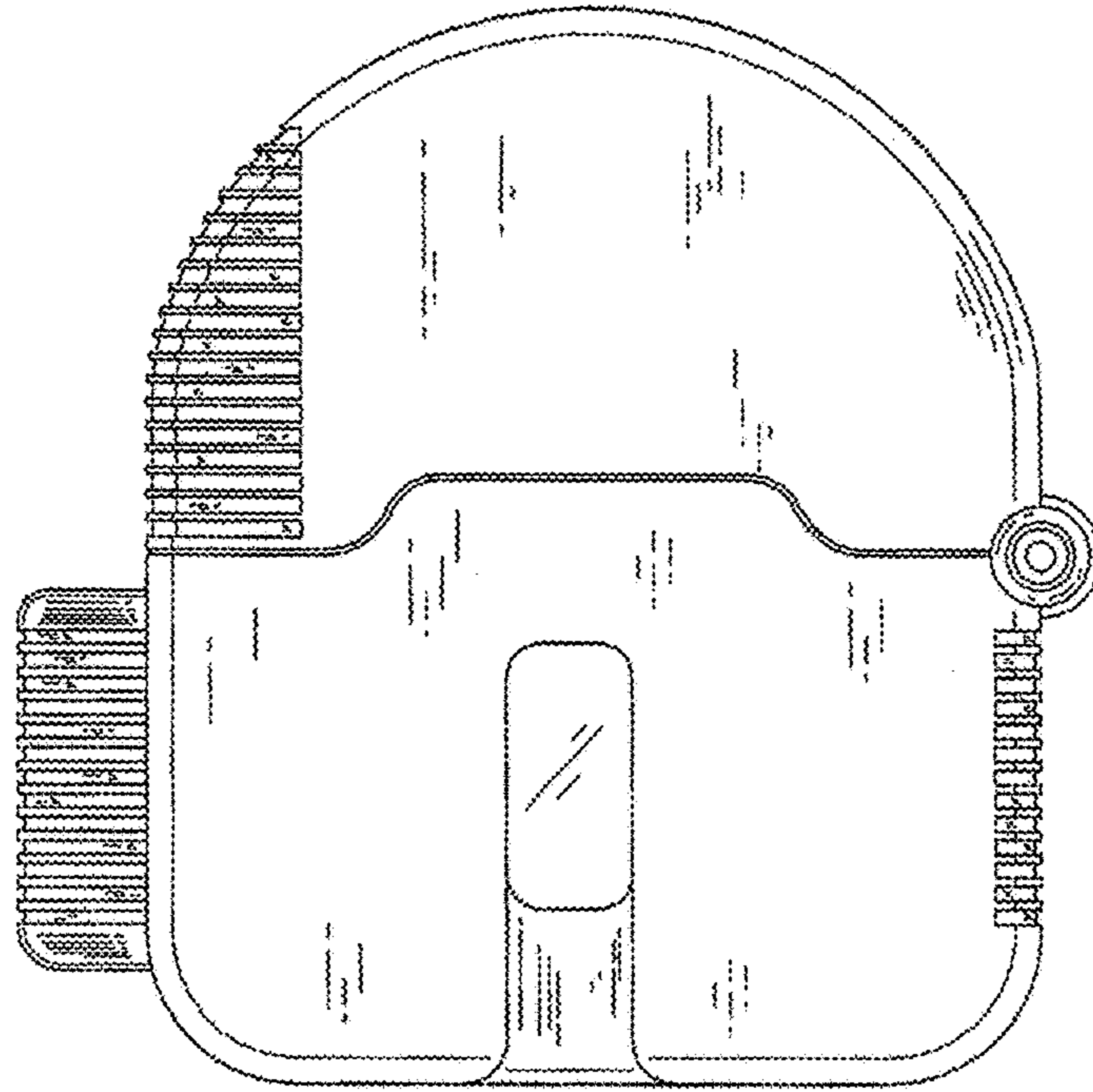


Fig. 4

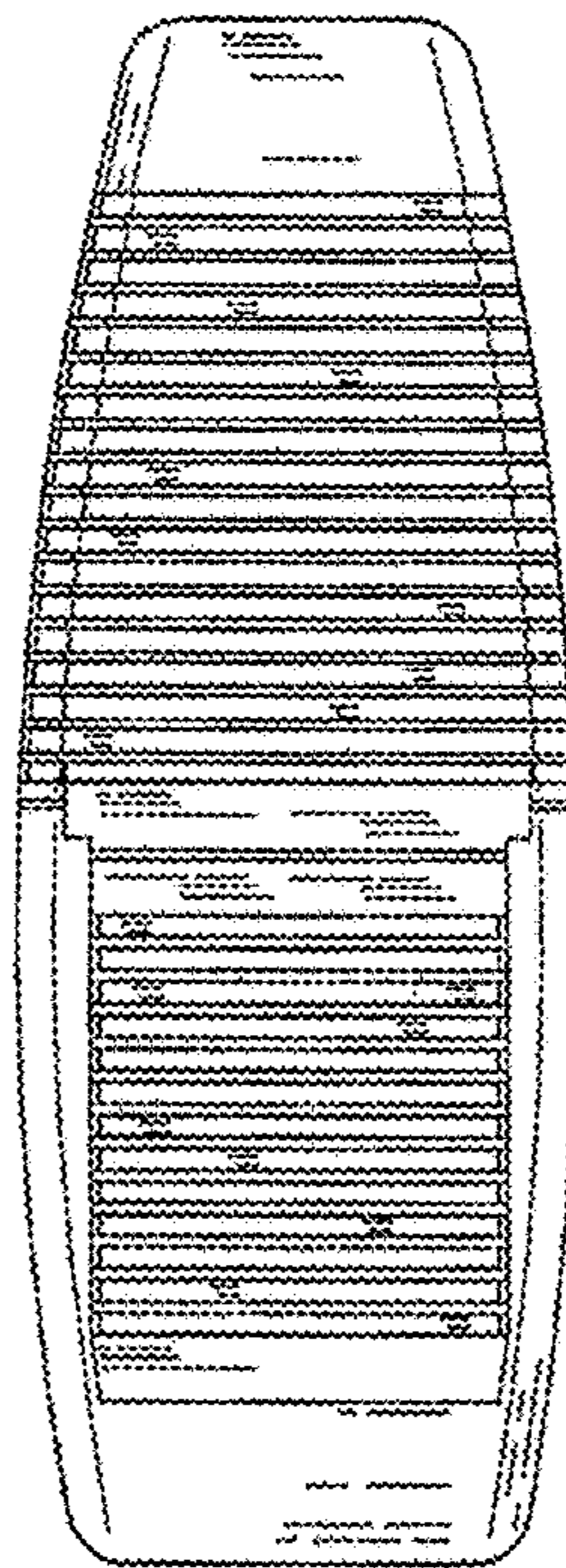


Fig. 5

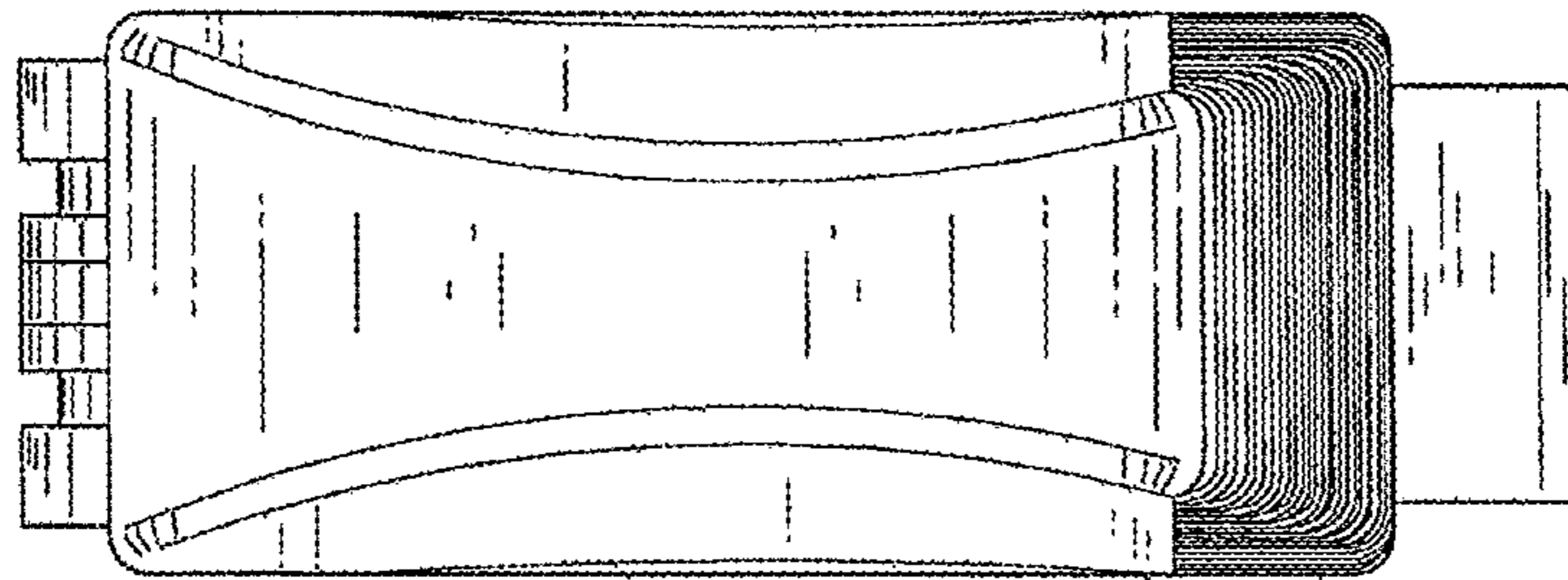


Fig. 6

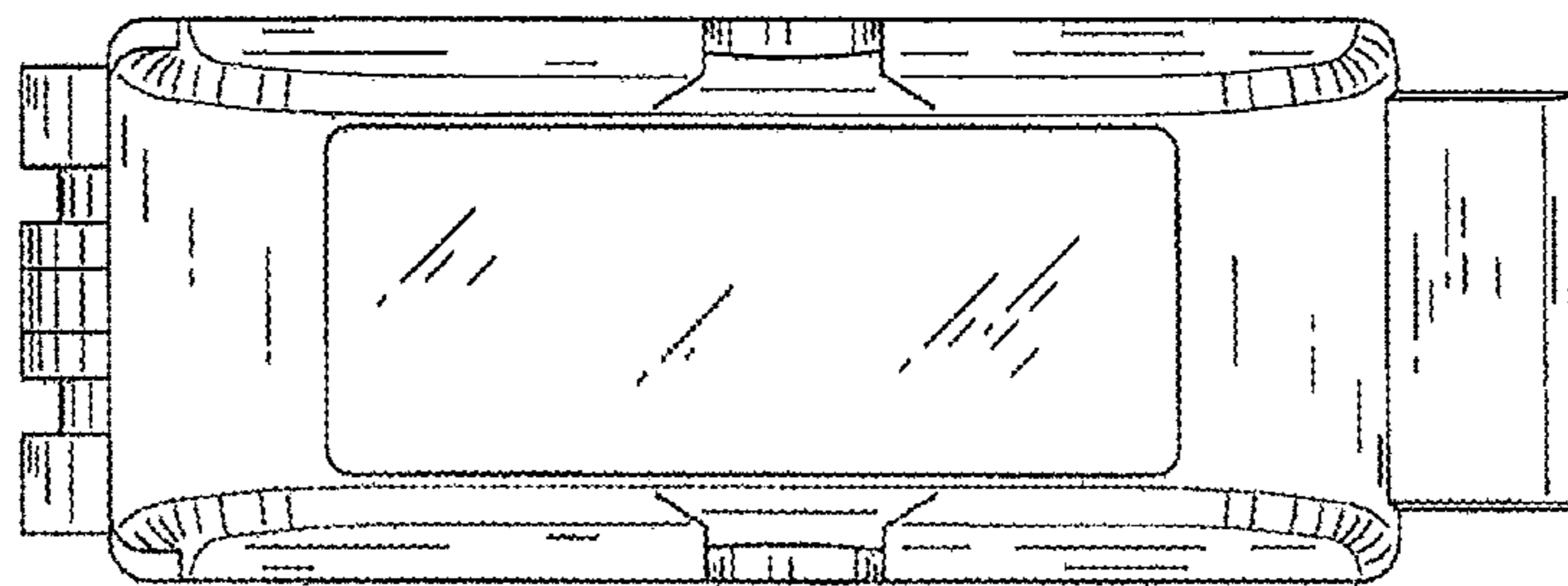


Fig. 7

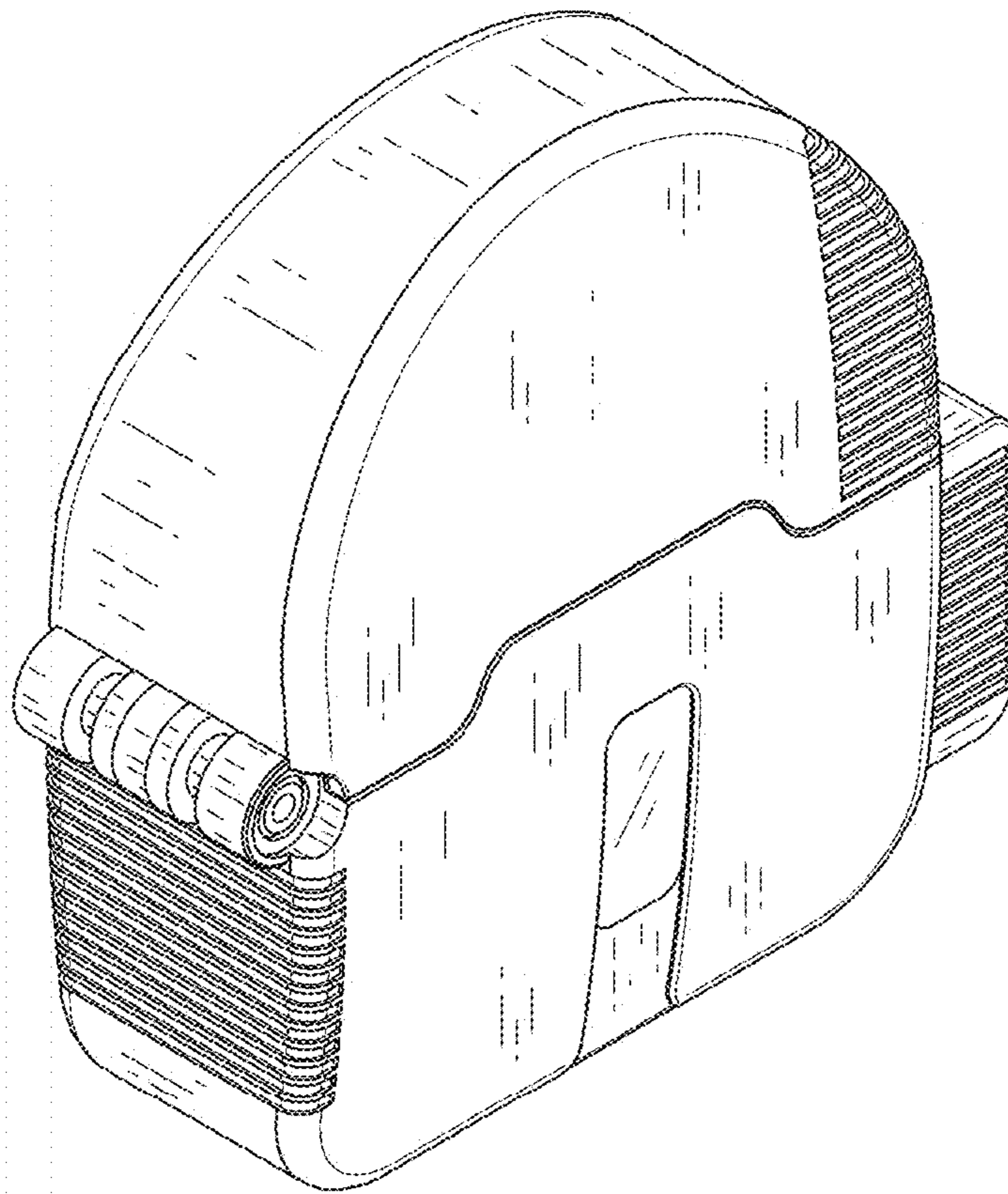


Fig. A

